

# INSTALLATION & OPERATING INSTRUCTIONS

burley 



Electric Fire

Model 1800 Range of Fires

*Read this owner's manual very carefully before using the appliance*

*Please retain for future reference*

*Shop / Customer Information*

Model number: .....

Date of purchase: .....

Customer's name: .....

Name of retailer: .....

Contact details: .....

.....

Phone number: .....

Retailer's stamp:

# INSTRUCTIONS FOR USE

**IMPORTANT:** It is important to read these instructions carefully before using the appliance for the first time. Keep the instructions safe so that you can refer to them later if necessary.

## Important Instructions:

Only use the appliance in accordance with these instructions, it cannot be used for any other purpose. When using electrical appliances basic precautions should always be followed to reduce the risk of fire, electric shock and injury to persons.

- 1) Read all instructions before using this appliance.
- 2) Do not install the appliance in front of an open chimney or flue. Fires installed into open chimneys can cause the hot air to be drawn back into the fire causing the element to cut out.
- 3) This appliance is hot when in use. To avoid burning, do not touch hot surfaces. Keep combustible materials, such as furniture, pillows, bedding, papers, clothes, and curtains at least 1m from the front of the appliance and keep them away from the sides and rear. Be aware of curtains etc being blown towards the appliance.
- 4) In order to avoid overheating, do not cover the appliance.
- 5) This appliance is not intended for use in bathrooms, laundry areas and similar indoor locations. Never locate appliance where it may fall into a bathtub or other water container.
- 6) Do not locate immediately below an electrical socket.
- 7) Do not run cable under carpeting. Do not cover cable with throw rugs, runners, or similar coverings. Arrange cable away from traffic areas or where it could be tripped over.
- 8) Do not insert or allow foreign objects to enter any ventilation or exhaust opening as this may cause an electric shock, fire, or damage the appliance.
- 9) To prevent a possible fire, do not block air intakes or exhaust in any manner. Do not use on soft surfaces, like a bed or carpet, where openings may become blocked.
- 10) This appliance has hot and arcing or sparking parts inside. Do not use it in areas where gasoline or flammable liquids are used or stored.
- 11) DANGER- high temperatures may be generated under certain abnormal conditions. Do not partially or fully cover or obstruct the front of this appliance.
- 12) Do not operate any appliance with a damaged cable or plug, or after the appliance malfunctions, or has been dropped or damaged in any manner. Always return the appliance to a qualified electrician for examination and repair before re-use.
- 13) Do not use outdoors.
- 14) CAUTION: In order to avoid a hazard due to inadvertent resetting of the thermal cut-out, this appliance must not be supplied through an external switching device, such as a timer, or connected to a circuit that is regularly switched on and off by the mains power.
- 15) CAUTION: Some parts of this product can become very hot and cause burns. Particular attention has to be given where children and vulnerable people are present or whenever the appliance is left operating and unattended. Always use an approved fixed fireguard.
- 16) Children and people requiring supervision should not be allowed to operate the appliance. Never leave them unattended near the appliance.
- 17) Always unplug appliance when not in use.
- 18) To disconnect appliance, turn controls to off, then remove plug from the mains power.
- 19) This appliance has no user serviceable parts. All repairs and servicing must only be carried out by a qualified electrician.
- 20) Never attach the appliance to an extension lead.
- 21) In case of malfunction, disconnect the appliance from the electricity supply immediately.
- 22) Be responsible with packaging, plastic wrapping can be lethal to children.
- 23) Use this appliance only as described in this manual. Any other use not recommended by the manufacturer may cause fire, electric shock, or injury to persons.



## Unpacking and installing the appliance

Open the packaging carefully and remove the appliance. Keep the original packaging for future transport.

The mains cable, plugs into the socket on the under-right hand side of the back of the trim. Never use an extension lead. Take the mains cable through one of the cut outs at the sides or rear, ensuring that it is not trapped. The mains cable must remain at the back of the appliance and must not be in contact with any hot elements.

## Assembling the appliance

The appliance has been supplied with washed coal to create a realistic looking fuel bed, should you prefer to add a small amount of sticks, pine cones or shells to enhance the appearance this is acceptable although nothing should extend higher than 50mm up the screen. See the pictures below.



- Lay the fire on its back and place approximately 30 pieces of coal of varying sizes carefully on the mirrored screen where it meets the orange coloured shell. Do not allow the coal to go near to the top of the screen where pieces could fall in and obstruct the fan.
- Carefully unpack the glass screen and slide it in the gap beneath the canopy.
- Once it is sufficiently inserted rest the lower edge of the glass on the coal.

- Holding the glass in place, carefully stand the appliance up.



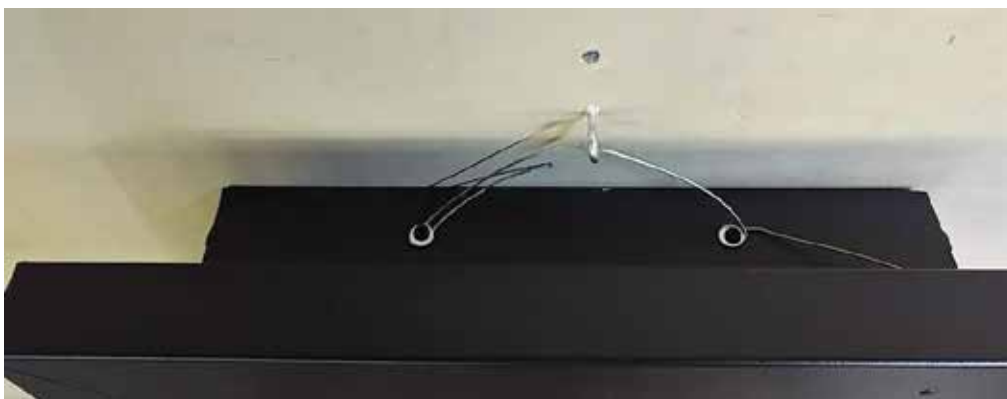
- Adjust the position of the glass so it sits in front of the stops near the front of the orange shell.
- Holding the glass, gently tip the appliance forward and shake a little to distribute the coals behind the glass evenly across the orange shell.
- Using the small tool included, carefully lift the glass and move it forward so that it sits in front of the glass stop.
- Secure the appliance as below.

## Securing the appliance

For stability you must fix the fire into position using the fixing kit. This is to ensure that the appliance will not fall forward. It is not usually necessary to have the wire taut.

Using the supplied rawlplug, attach the eye-bolt to the wall or the back of the fireplace behind the fire. Ensure that you are not drilling or screwing into a cable or pipe. If you are not qualified to carry out this task hire a professional.

Slacken the screw (with the washer on it) on the top of the fire – see diagram. Wrap one end of the wire half way around the screw and tighten so the wire is trapped between the washer and the chassis. Now pass the other end of the wire through the eye bolt. Slacken the other fixing screw on the top of the fire, position the fire then pull the wire through to take up the slack. Wrap the wire half way around the screw and tighten to trap the wire between the washer and the chassis. Check the fixing by tipping the fire forwards and giving it a small tug to ensure that it is secured.



## Fixing the trim and front

- Trims. The fabricated trims are held on by magnets, one each side at the top and one each side at the bottom. The cast trims are held on by clipping over the hooks on the top front of the appliance and screwing the fixing screws into the bottom of the trim.
- Fronts. The screws on the back of the decorative front hook into the keyhole slots on the front of the appliance below the glass screen. If necessary bend down the coal retaining plate on the front of the appliance.
- Place more of the coal behind the cast front and arrange to partially obstruct the orange shell.

## To operate the appliance

Once the appliance has been securely fixed as above, plug the appliance into a 13amp wall socket. This must be a mains socket, not a socket intended for lighting.

- Pressing the top switch will turn on the main flame effect.
- Pressing the middle switch will cause the flickering flame effect under the coal bed to come on. If the switch is turned off and back on again the quick flickering will become a slow pulsing light, if the switch is turned off and on again the pulsing will cease and the light will stay on constantly, turning the switch off and on again will take it back to a flickering effect. When the fire is turned on it always starts with the flickering effect. The first two switches will operate independently so you can have just the flame effect, just the flickering effect, or both.
- The lower switch turns on the heater, the heater will ONLY work when the first switch is turned on. With the first switch on, press the lower switch and turn the thermostat dial in a clockwise direction to maximum, the heater will come on.

## Thermostat.

The thermostat automatically turns the heater on and off according to room temperature. To set it, leave it fully on, and when the room reaches the desired temperature, slowly turn it anti-clockwise until the heater clicks off. It will then maintain this temperature by modulating on and off as the room cools and warms. The thermostat turns the heater completely on or off. You do not get 70% of the heat on number 7 and 30% on number 3.

## Cleaning the exterior of the appliance

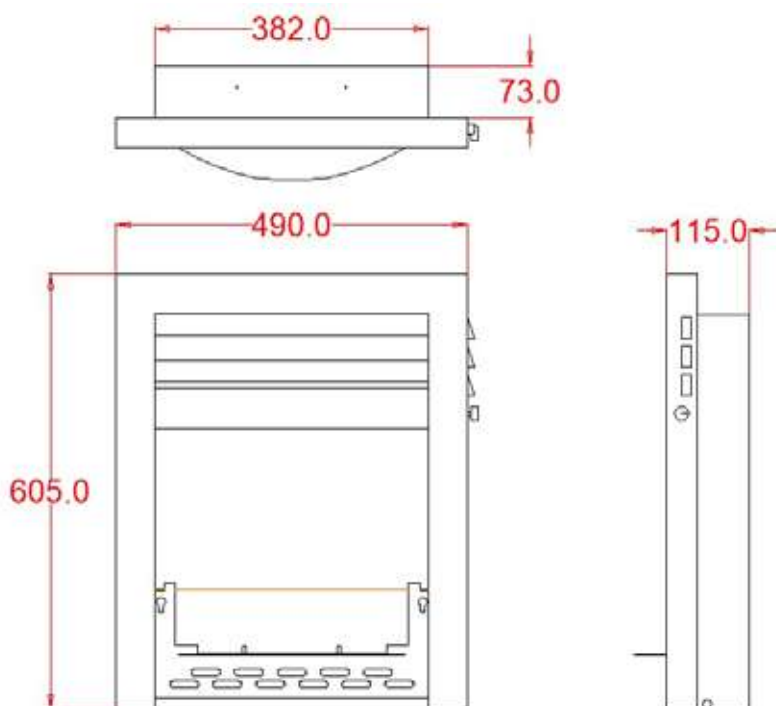
Before cleaning the appliance, disconnect it from the socket and leave to cool.

You can clean the exterior of the appliance with a soft, damp cloth.

**Do not use cleaning or polishing products.**

## Measurements (excluding trim and front)

Units: mm

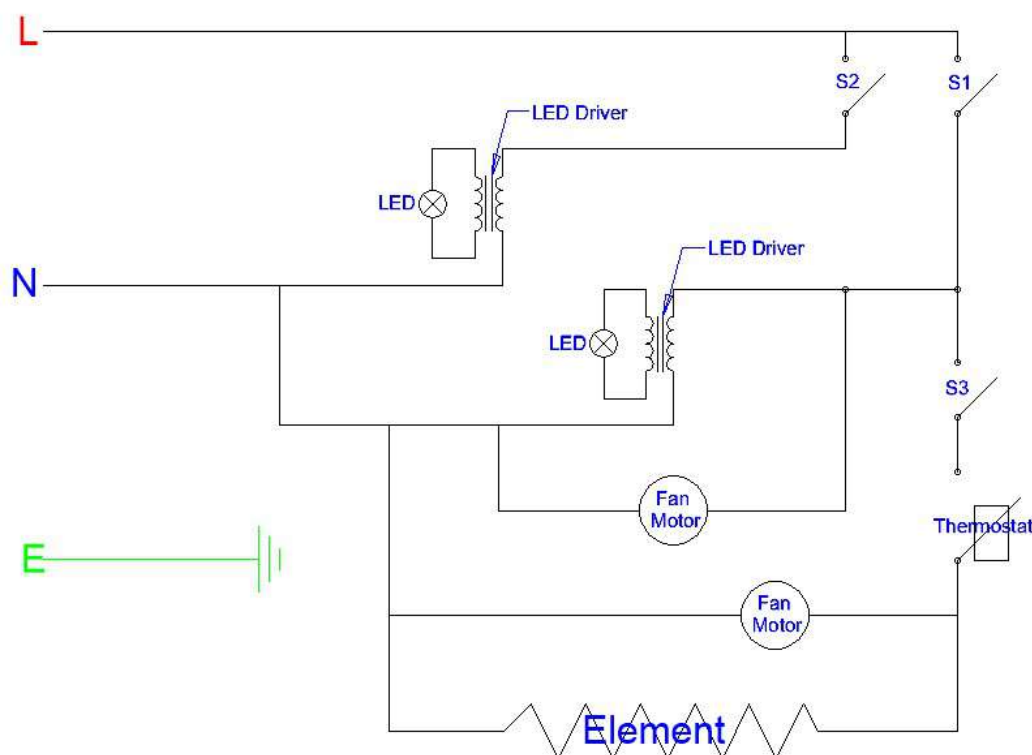


## Technical data: Models 1800

Rated Frequency: 50Hz  
Rated power usage: 25W flame and light (approximately 0.35 pence per hour\*)  
1225W heat, flame and light (approximately 17 pence per hour\*)  
Rated Voltage: 230V  
Lights: High efficiency low energy LED units.

\*Based on 14pence per kWh

## Diagram of the electrical circuits



## Troubleshooting:

If you suspect the fire is not operating correctly carry out the following procedure:

- 1) Plug the fire directly into a 13 amp wall socket, not into an extension lead or a fused spur. Check the socket works and is suitable for a high powered appliance by first plugging in a kettle and boiling some water. (If the circuit is tripping then a small appliance such as a table lamp might not trip the mains circuit).
- 2) Ensure the lead is firmly plugged into the fire. Turn the top switch on, this should start the flame effect. If this switch is not on, the heater will NOT work.
- 3) Press the second switch, the flickering flame effect should start.
- 4) Turn the thermostat all the way up clockwise to maximum, press the third switch; the fan heater should come on. THE FIRST SWITCH MUST BE ON.

## Diagnosis:

With the first switch only:

- Light comes on but flame doesn't - The flame fan may need cleaning or replacing or it could be obstructed.
- Light does not come on but the flame fan is working – The LED driver may need replacing.

With the second switch only:

- No flickering under the orange shell. The LED driver and light module may need changing.

With the first switch on, the third switch on and the thermostat turned up to maximum.

- If the room is very warm the thermostat will not trip in, to activate the heater. Try again when the room is cold
- The heater has a thermal cut out to prevent over-heating. For this to reset, the fire must be completely unplugged from the mains and left unplugged for 10 minutes. It is most likely that it has tripped due to a build-up of dust and fluff. The fans should be brushed clean by an engineer.
- Turn the thermostat up fully. (See Thermostat section earlier in these instructions).

If the fire is completely dead:

- Check the lead is properly pushed into the socket on the fire
- Check that the wall socket works by plugging in a kettle or fan heater.
- Check that the appliance is not on an extension lead.
- Replace the fuse in the plug using a brand new 13amp fuse.

**This appliance has no user serviceable parts. All servicing must be carried out by an electrician.**

WEEE:



Do not dispose of electrical appliances as unsorted municipal waste, use separate collection facilities. Contact your local government for information regarding the collection systems available.

## Warranty

Your guarantee is with the retailer from whom you purchased the appliance. If necessary they will contact Burley Appliances. The guarantee period is one year from the date of purchase. During this period, if the fault is due to a manufacturing defect or faulty components, the fire will be repaired or replaced free of charge. Do not permanently fix the fire to the wall or fireplace as it will need returning to the retailer for any in guarantee remedy. As it is impossible to predict the life of lights, fuses and LED drivers, these are not covered by the guarantee.

Please check the trouble shooting guide first.



**Made in the UK**



### **Burley Appliances Limited**

Lands' End Way

Oakham

Rutland

LE15 6RB

United Kingdom

Further information can be found at:

[/burley.co.uk/customer-service/technical-information/](http://burley.co.uk/customer-service/technical-information/)

Email: [sales@burley.co.uk](mailto:sales@burley.co.uk)

Phone: 01572 756956

Fax: 01572 724390

Revised: Feb 2020.