

Dunsley Heat

AVANCE 500 STOVE

FREESTANDING ROOM HEATER

INSTALLATION & OPERATING INSTRUCTIONS

AN EXEMPT APPLIANCE UNDER THE CLEAN AIR ACT 1993
PLEASE LEAVE THESE INSTRUCTIONS WITH THE OWNER



Manufactured by: Dunsley Heat Ltd, Bridge Mills, Holmfirth, Yorkshire, England



THIS APPLIANCE MUST BE INSTALLED AND SERVICED BY A QUALIFIED REGISTERED INSTALLER
NEITHER THE MANUFACTURER OR THE DISTRIBUTORS WILL TAKE ANY RESPONSIBILITY FOR AN APPLIANCE
NOT INSTALLED CORRECTLY TO THE CURRENT BUILDING REGULATION.

TABLE OF CONTENTS

Section - Installation Instructions	Page number
1. Health and Safety.....	3
2. Chimneys.....	3
3. Extractor Fans.....	4
4. Appliance Setting.....	4
5. Combustible Materials.....	4
6. Ventilation.....	4
7. Fitting the Stove.....	4
8. Installers Duties.....	4
9. Rear Flue Options.....	5
10. Technical Specification.....	6

Section - Operating Instructions	Page number
11. Essential Information.....	7
12. Throat Brick.....	7
13. Lighting.....	7
14. Primary Air Control.....	7
15. De Ashing & Refueling.....	7
16. Fuels.....	7
17. Stove Parts to Check Regular.....	8
18. Fume Emission.....	9
19. Maintenance & Servicing.....	9
20. Fitting Rope & glass.....	9/10
21. Clean Air Act 1993.....	12
22. Product Fiche.....	13
23. Energy Label.....	14
24. Optional Accessory.....	15/16

INSTALLATION INSTRUCTIONS

The serial number of this stove will be found on the aluminium label which is positioned on the rear left side near the top, when you are facing the front of the stove.

STOVE GROSS WEIGHT - 90kg

The Avance 500 has been assessed as an intermittent appliance.

DETACHED PARTS SUPPLIED WITH THE AVANCE

1 Operating Tool, 1 Hooked poker, Gauntlets, 1 installation, Servicing and Users Instructions.

Guarantee - The Avance Stove when installed and used correctly will give you many years of efficient service. Dunsley guarantees the stove for a period of 10 years from the original date of purchase against all manufacturing faults. This includes delivery of parts, but does not include any labour involved in removing or replacing the parts or any costs involved with refitting the stove or fire surround and hearth. This guarantee does not apply to items which would be subject to fair wear and tear i.e. all Grate bars, Ash Pan, Fuel Retainer Bar, Door Rope, Door Glass, Gaskets, Fire Bricks and Throat Plate/Brick. Use of parts other than those supplied by Dunsley Heat Ltd, or overfiring of the stove will invalidate the guarantee.

This guarantee does not apply against the whole stove becoming rusted as this can be caused by careless aftercare of the stove once installed i.e. plastering, splashing of any liquid, decorating in the same room and not protecting the stove. The paint is designed for the high temp of the stove and is not rust proof, any liquids left on the appliance must be immediately cleaned off.

This guarantee in no way diminishes the buyers statutory or other legal rights. Dunsley has been designing and manufacturing solid fuel heating equipment since 1950.

1. PLEASE READ THESE INSTRUCTIONS CAREFULLY - THEY CONTAIN ESSENTIAL INFORMATION BEFORE YOU BEGIN... THIS APPLIANCE MUST NOT BE MODIFIED IN ANY WAY

CO Alarms:- Building regulations require that when ever a new or replacement fixed solid fuel or wood/biomass appliance is installed in a dwelling a carbon monoxide alarm must be fitted in the same room as the appliance. Further guidance on the installation of the carbon monoxide alarm is available in BS EN50292:2002 and from the alarm manufacturer's instructions. Provision of an alarm must not be considered a substitute for either installing the appliance correctly or ensuring regular servicing and maintenance of the appliance and chimney system.

Warning: The installer has a responsibility under the health and safety at work legislation to provide for the safety of person(s) carrying out this installation and to provide adequate protection. Note that the fire cement is caustic (wash thoroughly after use), and be aware of the possibility of disturbing asbestos in older installations. No component on this appliance is manufactured from asbestos or asbestos related products. This leaflet gives a guide to installation, but in no way absolves the installer from responsibility to conform to British Standards in particular, BS8303-1986, ('Code of Practice for Installation of Domestic Heating and Cooking Appliances Burning Solid Mineral Fuel') and local and national building regulations, building standards Scotland and Local Authority bye laws. Or the rules in force in the country where the appliance is to be installed. Failure to install appliances correctly could lead to prosecution. All local regulations including those referring to national and European standards need to be complied with when installing the appliance.

Carbon Monoxide alarms should be fitted near to solid fuel appliances. Please note that it is a legal requirement under England and Wales Building Regulations that the installation of the stove is either carried out under Local Authority Building Control approval or is installed by a competent person registered with a Government approved competent persons scheme. HETAS Ltd operate such a scheme and a listing of their Registered Competent Persons can be found on their website at www.hetas.co.uk Remember: the chimney is not simply a duct to carry gases away, it is an integral part of the appliance.

No stove will work correctly unless the chimney is sound. On first initial lighting of the stove condensation could occur causing discolouration of the glass, the condensation could turn to drops of water, this would particularly apply if the chimney was new or had not been used for a long time. This is a natural thing and should not be cause for concern. The same would apply if wet fuel is burnt, particularly wet wood.

Also note: The Avance Stove is spray painted with a special heat resistant stove enamel paint. As it heats up for the first time the paint will commence to cure and the resin in the paint will give off a smell for 2 or 3 hours, this smell is not harmful. It is best to run the stove at low temperature for the first 4 to 5 hours.

2. CHIMNEYS SHOULD

- Terminate above the ridge and in any case at least 600mm above the roof level.
- Be at least 4.5m high measured vertical from the top of the stove. Horizontal connecting flue pipe to be no more than 150mm long
- Have a minimum internal cross section not less than 125mm diameter round and maximum recommended 200mm diameter.
- Be free of any cracks.
- Have no bends sharper than 45 degrees, and be free from obstructions.
- Make complete provision for sweeping access.
- Be swept by a qualified chimney sweep.
- Be connected to this one appliance only.
- Older chimneys may have been poorly built or have developed cracks. If you suspect this, seek expert advice.
- This appliance is not suitable for a shared flue system.

FLEXIBLE FLUE LINERS - A twin wall flexible flue liner of 125mm diameter can be used as required. The twin walled flue liner must be approved as suitable for use on solid fuel appliances. Installation and servicing must be in accordance with the manufacturers instructions and building regulations doc J 2010 in particular sections 1 and 2. Suitable for approved smokeless fuels and properly dry seasoned wood.

NEW CHIMNEYS - New masonry chimneys must conform to building regulations BSEN 15287-1:2007 design, installation and commissioning of chimneys. Factory made chimneys (twin wall insulated) should conform to BS 1856-1-2009, and be installed in accordance with the manufacturers instructions.

The single skin 125mm diameter fluepipe should be kept as short as practical and should not be used as a complete chimney, it should join the insulated chimney before passing through any ceiling, roof space or wall, this is designed to give a safe warm flue system. All parts must be accessible for cleaning.

THATCHED PROPERTIES - you need to obtain house insurance agreement to do any work involving work on chimneys. Clear guidance for installers is available in buildings regulations.

3. EXTRACTOR FANS

An extractor fan must not be fitted in the same room as the appliance as this will cause fumes to emit from the stove.

4. HEARTH AND APPLIANCE SETTING

The stove must be installed on a level solid hearth. Constructed of non combustable material, and extend 225mm in front of the stove, and 150mm to each side. There must be at least 50mm air gap between the back and sides of the stove to give sufficient circulation and 75mm between the top of stove and lintel. Hearths should be constructed of a suitable robust material and appropriate dimensions. Refer to building regulations 2010 document J. For your information on over run test the maximum temperature of the hearth in the centre directly underneath the stove measured 66 C.

5. COMBUSTIBLE MATERIALS

The safe distance from combustible material to the rear and side of the appliance should be 450mm side and 350mm from the rear. In addition the flue pipe must be a minimum of at least 3 times the flue pipe diameter from combustible material (normally 460mm) unless the combustible is insulated in accordance with the building regulations in which case the distance can be reduced to 1.5 times the flue pipe diameter.

Care should be taken to keep soft furnishings and moveable items of furniture well clear of the stove.

6. AIR SUPPLY

For closed appliances without any draught stabilizer fitted, the air requirement is 550mm² per kW of rated output above 5kW.

7. FITTING THE STOVE

TWO POSSIBLE INSTALLATION ARRANGEMENTS

FIG. 1.

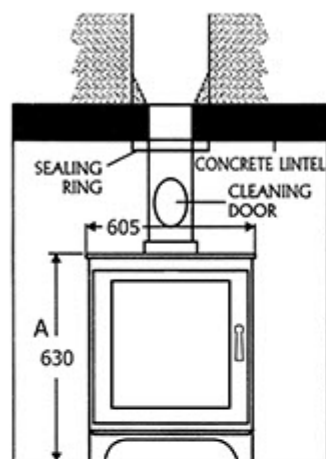
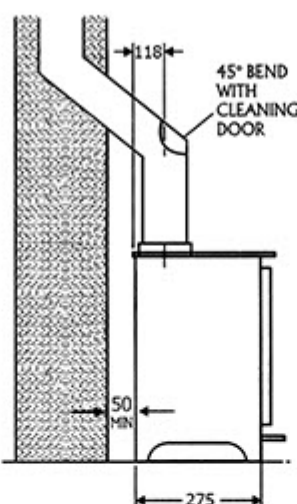


FIG. 2.



A = 560mm Short leg option

Place the stove in position on the hearth, ensure the stove is set on the level hearth in the required position. Levelling adjusting bolts are fitted on projecting brackets at the bottom rear of the stove and in the base of the front legs, with the bolt heads facing down to give a firm base, these adjusters may be used for final levelling on an uneven hearth. One 8mm hole is also provided in each rear bracket to fix the stove to the hearth as required.

Connect the appliance to the chimney using a length of 125mm diameter fluepipe, sealed to the stove and the chimney using glass fibre cord and fire cement.

The flue can have 2 bends of 45 degrees or less. It may be fitted with a cleaning door for cleaning the chimney as shown at FIG. 1 and 2.

Possible methods of making the flue connection are shown, (see FIG 1 and 2). For rear flue outlet see page 5 FIG 3 and 4.

Whatever method is used it is imperative that:

The complete flue from the stove to the top of the chimney terminal is sound. Even small cracks or gaps may cause smoking or poor performance.

The complete flue should be smooth internally without any voids in which gases can swirl or be cooled down, nor any ledges on which soot may accumulate.

It must be possible to clean the entire length of flue. In some installations it may be necessary to fit a cleaning door in the chimney.

If from experience it is decided there is excessive "draw" in the chimney and a draught stabilizer is fitted to the flue pipe or chimney in the same room as the appliance extra permanent air entry opening must be provided, see building regulations 2010 Document J.

With the chimney warm a draw of between 0.15 and 0.3 mbar (0.06 to 0.12 ins W.G) and a minimum of 12 Pascals is recommended.

8. INSTALLER'S DUTIES

Check that all parts are correctly fitted, visibly check that seals between components are in place. Light the fire, see operating instructions. Check that the flue functions correctly and all products of combustion are vented to the atmosphere through the chimney terminal.

Demonstrate use of the appliance, and accessories to the user, and hand over the instructions.

Offer to supply everything necessary for proper operation: Fuel, fuel store, fuel carrier, ash carrier etc.

Remind the householder of the need for regular chimney sweeping and draw their attention to the 'Warnings' in this document.

WARNING NOTE

Properly installed and operated this appliance will not emit fumes into the dwelling. Occasional fumes from de-ashing re-fuelling may occur. However, persistent fume emission is potentially dangerous and must not be tolerated. If fume emission does persist, then the following immediate action should be taken:

- a: Open doors and windows to ventilate room and then leave the premises.
- b: Let the fire out.
- c: Check for flue or chimney blockage and clean if required.
- d: Do not attempt to re-light the fire until the cause of the fume emission has been identified and corrected. If necessary seek expert advice.

CO Alarm - Your installer should have fitted a CO alarm in the same room as the appliance. If the alarm sounds unexpectedly, follow the instructions under "Warning Note" above.

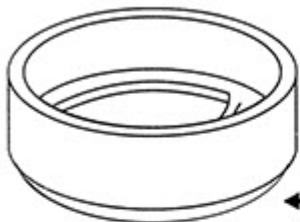
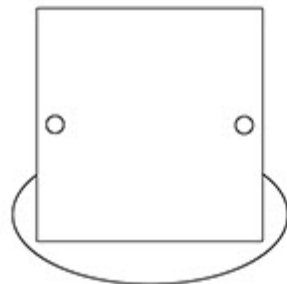
9. CONVERTING TO REAR FLUE OUTLET

The Avance can be fitted as a rear flue outlet. It is supplied with the flue outlet/ceramic gasket fitted to the top position and the blanking plate/ceramic gasket fitted to the rear position.

- 1) Use a 4mm allen key to take out the button head screws one each side of the stove at the top you can now slide forward the top plate and lift it off.
- 2) loosen the 4 button head screws with a 4mm allen key on the rear of the stove panel , the panel will now lift up and pull away from the button head screws leaving them in place.
- 3) take off the flue spigot and rear blanking plate by undoing the nuts and bolts attaching the parts to the stove and refit using new seals provided in opposite position retighten all nuts and bolts.
- 4) take out the knockout plate on the rear back panel with a cutter and unscrew the 2 self-tappers on the top edge.
- 5) you can now refit the back panel making sure the washes are in-between the spacer and inner back panel retighten.
- 6) now slide the top plate back into position and secure with the 2x 6mm button head screws tighten evenly.
- 7) screw the 3 self-tappers into the 3 holes on the underside of the top blanking plate provided to allow for adjusting level to top plate , now place into recess in top plate and level plate .

BLANKING PLATE -
Part no. **02213**

CERAMIC GASKET

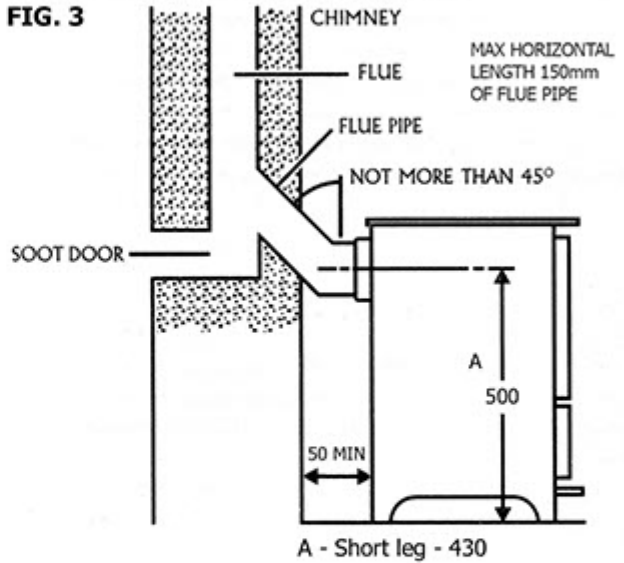


FLUE OUTLET -
Part no. **02214**

CERAMIC GASKET

REAR FLUE OUTLET INSTALLATION

FIG. 3



VERTICAL REAR FLUE ADAPTER

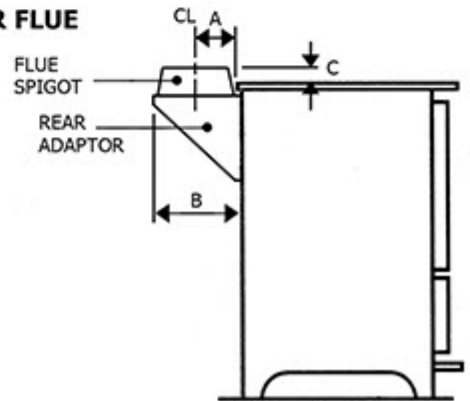
5" - 125mm

A: 80

B: 155

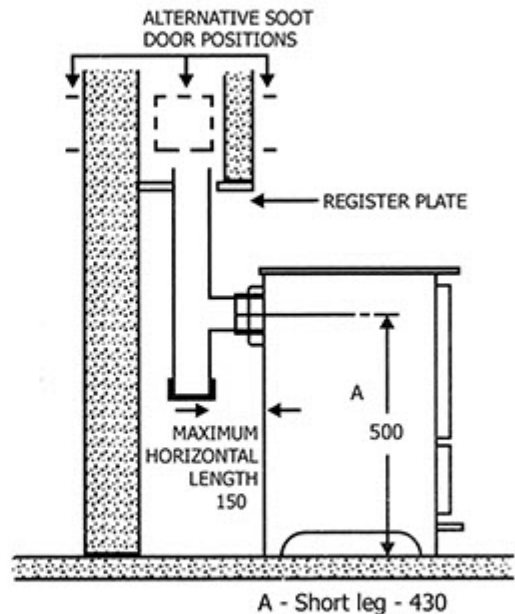
C: 30

code No. 02298



REAR FLUE OUTLET INSTALLATION ALTERNATIVE

FIG. 4



10.



CE Declaration of Performance certificate

Manufacturer:

Dunsley Heat Ltd, Bridge mills, Holmfirth, England HD9 3TW

Product Name:

Avance 500 Stove
Smoke exempt - wood / smokeless fuels

Declared of Performance according to regulation (EU) 305/2011

Wood: test date 13/03/2018

Parameter		Mean
Test duration	h	0.81
Total Efficiency	%	81.2
Nominal heat output	kW	5.0
Mean CO emission (at 13% O ₂)	%	0.10
Mean flue gas temperature	°C	247
Flue mass gas flow	g/s	4.3
Mean C _n H _m (at 13% O ₂)	Nmg/m ³	72
Mean NO _x (at 13% O ₂)	Nmg/m ³	84
DIN Plus dust (at 13% O ₂)	Nmg/m ³	25

Smokeless fuel: test date 03/05/2018

Parameter		Mean
Test duration	h	1.03
Total Efficiency	%	75.7
Nominal heat output	kW	5.0
Mean CO emission (at 13% O ₂)	%	0.06
Mean flue gas temperature	°C	326
Flue mass gas flow	g/s	4.4
Mean C _n H _m (at 13% O ₂)	Nmg/m ³	4
Mean NO _x (at 13% O ₂)	Nmg/m ³	100
DIN Plus dust (at 13% O ₂)	Nmg/m ³	8

Temperature safety test

Intended use: Heating of Domestic Housing

Distance from combustibles: Rear - 350mm. Side - 450mm. Hearth temp 66°

Tested to BSEN 13240 : 2001 + Amd 2 : 2004

System or systems of assessment and varification of constancy of performance of the construction product as set out in Annex V: System 3 and system 4

The performance of the product identified in points 1 and 2 is in conformity with the declared performance in point 9.

This declaration of performance is issued under the sole responsibility of the manufacturer identified in point 4.

In case of the declaration of performance concerning a construction product covered by a harmonised standard:

The notified laboratory "KIWA Ltd" No: 0558 performed the determination of the product type on the basis of type testing under system 3. Issued test report: 61108

Signed for and on behalf of the manufacturer by: N. A. B. [Signature] R & D Director

To be completed by installer

Installation address

Installed by

Has a flexible flue liner been fittedFlue size / grade of steel.....

Has a flue draught been taken when stove was lit: YES / NO Pressure taken:

This document forms part of the hearth notice. Installed and lit to demonstrate to the house holder that it has been fitted to the current building regs Doc J 2010.

Signed Date



OPERATING INSTRUCTIONS

PLEASE READ THESE INSTRUCTIONS CAREFULLY - THEY CONTAIN ESSENTIAL INFORMATION

11. GETTING READY TO USE YOUR AVANCE STOVE

When the installer has completed the installation go over these instructions with the installer before lighting the stove, also check the flue system. An extractor fan must not be fitted in the same room as the appliance. It is essential that the fire has adequate air supply for combustions and ventilation. Apertures provided for this purpose shall not be restricted. Where the chimney is believed to have served an open fire installation it is possible that the higher flue gas temperature from a closed appliance may loosen deposits that were previously firmly adhered, with the consequent risk of flue blockage. It is therefore recommended that the chimney be swept a second time within a month of regular use after installation. Have the chimney swept at least once a year. Take care to clean the chimney flue connections and flueways prior to lighting up after a prolonged shut down period.

A fireguard conforming to BS8423:2002 should always be used whenever children, the old and/or infirm are present, as the exterior surface of the stove is a working heating surface and can get very hot. Do not use an aerosol spray near the appliance. Do not operate the stove with the door open, except when lighting, re-fuelling or clearing ash, then operate according to the instructions, use the gloves to open and close the door. Turn the handle anti-clockwise to open, clockwise to close.

12. THROAT BRICK

Ensure it is in the correct position resting on the side bricks and pushed well back against the back bricks. See Page 9.

13. LIGHTING

Place 5 sticks of dry fire wood together inside the stove onto the base bricks in the middle of the stove, you can then place 2 firelighter on top of the sticks and build up around them to create 15cm high fuel bed of firewood, make sure the primary air control knob is fully open and then light the firelighters you can then fully close the door, if for any reason you have poor flue draught then you may want the door ajar by about 10mm to give more air to the fire bed. Once the bed of firewood has started to collapse you will need to put 2 logs of wood on top to keep the fire going when the logs have gone black and starting to burn turn the air control down by half, do not leave the fire on full air for long periods as this could cause over firing and damage the stove bricks.

On first time lighting the stove will emit a smell and possibly a smokey haze which is not harmful but could set off any nearby fire alarms. To begin with, it is best to run the stove at a low temperature for four to five hours until the stove paint has cured.

14. CONTROL

The rate of burning and the heat output is controlled by the amount of air entering the firebox via the primary air control which is situated above the top of the door, sliding action, right for ON, left for OFF. To adjust the burning rate, with the fire burning well you will find when burning wood that the primary air control can be nearly closed. If the fire has burnt very low, open up the primary air control to revive the fire for 2-3 minutes, use small pieces of wood if required. When the primary air is in the closed position the air control is still slightly open to allow a bleed of air into the stove to assist in maintaining the stove in good condition, when not in use.

15. DE-ASHING

To remove ash - when the stove is cold the ash should be emptied before it becomes too full.

Always allow the ash to go cold before disposing of it in plastic dustbins or bags. Dunsley Heat can supply special ash carriers to make it easier and cleaner to carry ash through the house and allow the ash to cool before putting it into plastic containers.

RE-FUELLING

To re-fuel open the door slowly, the firebox should not be overfilled. Do not allow any fuel to lodge between the glass and front bars, or touch the glass.

STOVE NOT IN USE

If the stove is to be left unused for a prolonged period of time then it should be given a thorough clean to remove ash and unburned fuel residues. To enable a good flow of air through the appliance to reduce condensation and subsequent damage, leave the air controls fully open.

16. FUELS BURNT IN SMOKE CONTROL AREAS

The Avance 500 is considered suitable for exemption under the Clean Air Act 1993 for use in smoke control areas when burning dry wood logs.

PETROLEUM COKE and **HOUSE COAL** are not suitable for use.

PLEASE NOTE:

All fuels must be kept dry for best combustion results, also to help prevent discolouration on the glass of the fire door. Avoid fuel which contains much dust, or small particles.

WOOD:

The Avance 500 stove can take logs up to 460mm (18") long 100mm (4") diameter, and burn any type of wood as long as it is dry. By dry we mean that it contains less than 20% moisture. When first cut down, wood cells are full of water and will need drying for at least a year (outside under a shelter or tarpaulin will do) ensure there is air access to assist. Wet or 'green' wood wastes heat in making steam, and produces flammable acidic tars which will discolour the glass, cling to and can damage your chimney or stove.

RE-FUELLING:

When re-fuelling burn on high output for 2-3 minutes to establish combustion before turning down to low fire settings.

LOW BURNING:

The Avance 500 will burn for longer periods by allowing the fire to burn down to a low hot firebed, removing the ash as required, filling level and evenly distributing to the top of the coal retaining bar and setting the air controls to a lower setting.

THE AVANCE IS NOT DESIGNED TO BE OPERATED WITH THE FIRE DOOR OPEN. THE DOOR MUST BE CLOSED WHEN THE STOVE IS OPERATIVE.

HOUSEHOLD WASTE AND NONE RECOMMENDED FUELS

Household waste containing plastic or batteries or aerosols must not be burnt. Remember that these items can explode, do not attempt to burn them. Also it is not recommended to burn petroleum coke, liquid fuels or treating the stove as an incinerator.

17. IT IS WISE TO CHECK THE FOLLOWING FROM TIME TO TIME: THE STOVE MUST BE COLD

CONDITION OF FIREBRICKS: Minor cracks in firebricks are quite normal due to the very high temperatures developed. Firebricks only need to be replaced if part of the brick has broken away.

TIGHTNESS OF DOOR SEALS: It is essential that the door seals correctly against the stove body. After a period of use the glassfibre rope seal may become compressed or damaged. The seal should be closely examined and replaced as required. Check the setting of the door to ensure it is fitting correctly with the seal tight against the body of the stove.

The hinges can be adjusted by the two locking nuts which are situated on the hinges one each side of the body of the stove and can be reached by a 13mm spanner.

The door catches can be tightened by moving a washer located on the back of the door catch, to the front of the door catch (between the handle and the door). To slacken reverse the procedure.

Regarding the door handle; When opening and closing the door use the gauntlets gloves provided for the door handle. DO NOT use operating tool, as this will damage the handle finishes. The new style handle is available in black, chrome, brass and must only be cleaned by a damp none abrasive cloth when the stove fire bed is cold.

CLEANING THE STOVE BODY The decorative parts can be cleaned with a damp cloth when the fire is cool. Do not use abrasives or metal polish, and never use aerosols near the burning fire. Should repainting become necessary, the stove fire should be out and the stove cold. High temperature paints are available from Dunsley Heat.

CLEANING THE LARGE AIR WASHED WINDOW

The window of your Avance 500 is made, not from glass, but from a tough transparent ceramic. With most fuels it will remain fairly clean. An occasional wipe with a damp lint free cloth when the glass is cold is all that may be needed. Continual use at low outputs may cause sticky tars to stain the glass.

You can help prevent this by:

- Keeping the Air Wash control half way open until the fire is nicely established.
- Using only dry fuel.
- Severe stains can be removed when the glass is cold using special stove glass cleaning liquid available from solid fuel stove outlets.

The use of wet fuel is not recommended as this can cause a reaction on the inner glass protection coating. This may turn the glass to craze but doesn't effect the safety or working of the stove. But is not covered by Dunsleys guarantee. Also do not use cold water on hot glass as this also can cause crazing.

DIFFICULTY IN LOW BURNING PERIODS?

If all the fuel has burned away, this is probably because too much air has been reaching it. There are several possible causes.

1. The doors may not have been closed properly.
2. The chimney draught was too high (this can be a problem with any fire) and usually happens when it is very windy.
3. The air slides were not adjusted correctly.
4. Not enough fuel was put on the fire.
5. The sealing rope on the doors or glass may require attention.

If much unburned fuel is left, then a little more air is required, so the air control should be adjusted accordingly. If the problem persists check the sealing of the flue pipe to the appliance and chimney.

18. FUME EMISSION INTO ROOM A slight fume emission into the room may occur while refuelling, but should not occur during normal running. If fumes occur in normal running **LET THE FIRE OUT AND CHECK THE FOLLOWING:**

1. Is the fluepipe well sealed into the appliance and chimney.
2. Check the flue way and throat brick at the top of the stove is clear.
3. Check the chimney is clear (if the problem occurs after the fire has not been used for a period the chimney may be blocked by a birds nest or a fall of ash and soot).
4. Can enough air enter the room - has the air brick been sealed? Double glazing installed or a fitted carpet closed gaps around the doors and skirting board?
5. Is there a downdraught on the chimney? This could be caused by a nearby tree, hill or high building and if this is suspected we recommend taking advice from a chimney expert.

19. MAINTENANCE AND SERVICING INSTRUCTIONS

The main flueways and throat brick must be kept clear. The frequency of cleaning will depend on use and the fuels burnt, as a guide we suggest:-

EVERY MONTH - When the fire is out and the stove is cool check on top of the throat brick for excessive deposits. If any deposit needs to be removed follow fire bricks Fig 5. When it is required to sweep the main flue the throat brick has to be removed, Fig 5.

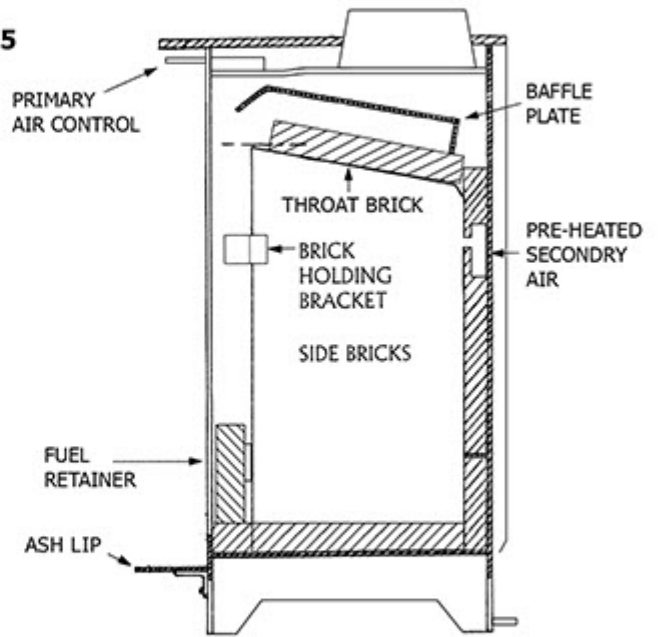
EVERY YEAR: Have the main flue swept, using a wire centred sweeps brush fitted with a guide wheel. We strongly recommend that you engage a qualified chimney sweep (see the information on the front cover). Any purpose provided ventilation should be checked periodically at least once per year to ensure that it is free from obstruction by a competent engineer.

CHIMNEY FIRE: It is possible for soot and tar deposits inside an unswept chimney to ignite this is dangerous. If a chimney fire occurs, immediately

1. Firmly close all doors on the appliance and all access hatches to the chimney
2. Close the manual air slides
3. Call the fire service
4. Do not re-light the fire until the chimney has been swept and inspected by a qualified chimney sweep.

STOVE SIDE VIEW, WITH FIREBRICKS, THROAT BRICK, IN POSITION

FIG. 5



To sweep the chimney or clean the throat brick see fig 5 diagram and follow the steps below.

1. Fully open the door by moving the door handle in the anti-clockwise position.
2. Take out the fuel retainer by lifting the left side up first to clear the stove case and pull forward the right side will then be able to be lifted out.
3. Lift out the right side base brick at the front right corner of the stove, you can then lift it up towards the middle of stove and take it out.
4. Using a small hammer you can knock the brick holding bracket upwards to release the right side brick, then swing the front edge into the middle of the stove and lift it out but at the same time holding up the throat brick with the other hand to stop it falling down.
5. Once the side brick is fully out of the stove you can then lift out the throat brick but be aware that the baffle plate above will swing down at the same time but will stay in place swinging on the pins either side of the stove.
6. To remove the baffle plate use 2 hands and push towards the rear of the stove to release the baffle you will then have free access to the top and rear flue.

FITTING FUEL RETAINER BAR

See FIG 5 No.2.

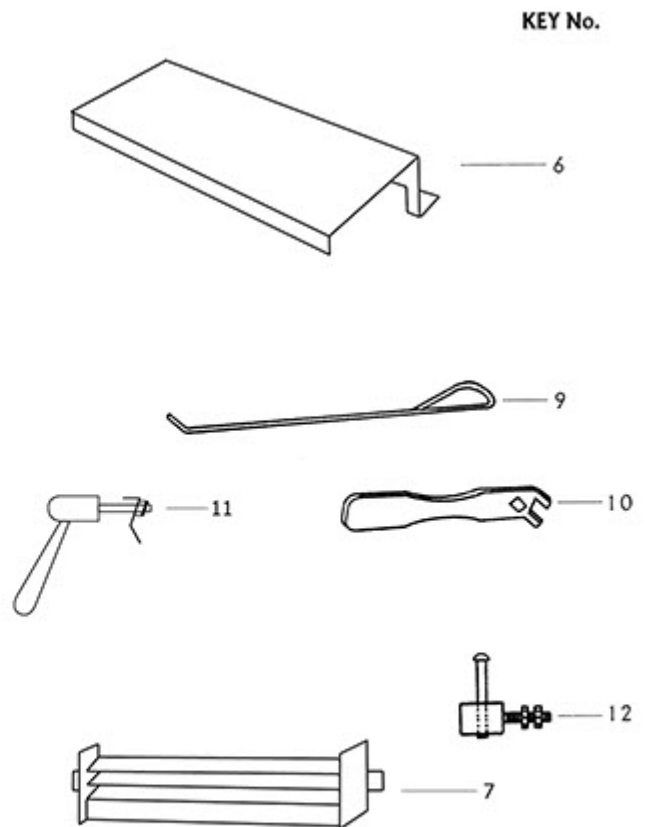
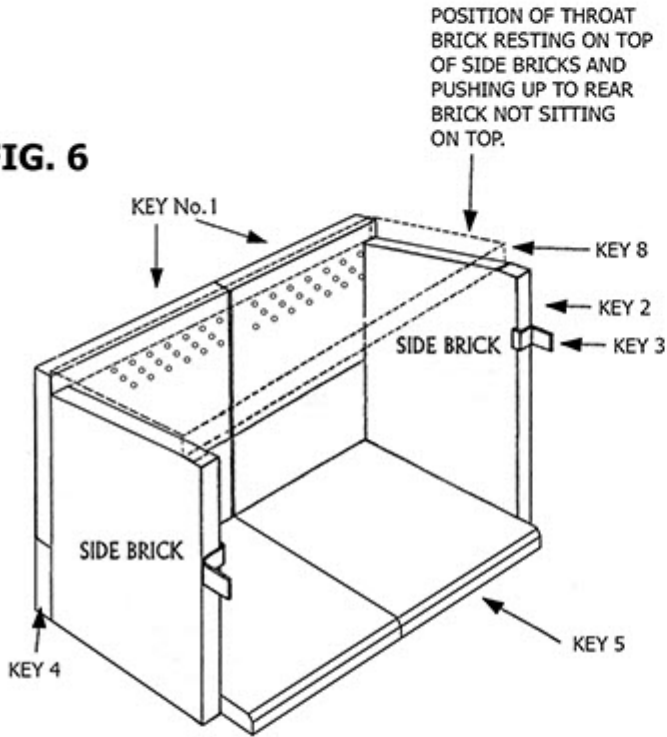
NOTE: The fuel retainer bar must be taken out first to remove the bricks.

FIREBRICKS

Follow numbers. 1 to 6. Page. 9/10 and Fig 5&6.

KEY No.	LIST OF SPARE PARTS items marked * not on drawing	DUNSLEY PART No.
1	Back brick	02410
2	Side brick	02507
3	Firebrick holding brackets,	02007
4	Back bottom brick	02506
5	Base brick	02505
6	Baffle plate	02504
7	Fuel Retainer bar	02502
8	Throat Brick	02414
9	Hooked poker	02016
10	Operating tool	02017
11	Black handle knob assembly	02370
12	Hinge assembly	02019
*	Ceramic glass for door	02511
*	Door complete	02500
*	Glass retainer tabs with screws	02032
*	Tape seal for glass	02509
*	Sealing rope for door	02510
*	Sealing rope glue	02038
*	Gloves	01432
*	Ash shovel	02503
*	Cast iron grate	02501

FIG. 6



N.B. DRAWINGS NOT TO SCALE

20. DOOR GLASS AND DOOR ROPE FITTING INSTRUCTIONS

When fitting new glass make sure all the old seals are discarded and the recess is clean where the new seals are to be fitted. use the new self adhesive tape and stick in same place but do not overlap the tape. Place the glass in situ and screw the four tabs in place with the other four seals behind the metal tabs sandwiching the tabs, do not over-tighten the screws, use moderate pressure. Check to make sure the screws are still tight after a few fires.

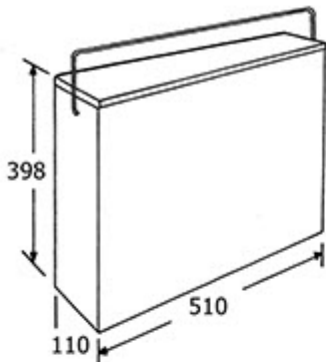
When renewing door rope seal the best way is to take the door off stove by either undoing the 2 nuts holding on the hinges inside the stove with a 13mm spanner or by taking out the 2 hinge pins going through the hinge bolts into the door so it can be laid flat onto a clean surface. If the door is to be left on the stove the only other way is to glue a short section at a time and hold it in place by sticky tape then close the door. In both cases use a small round file to clean out any old rope and glue to give a better adhesion for the new glue.

Before you put the glue into the groove stretch the rope before use and make sure the rope fits all the way around the groove as this rope weave does shrink when resting. When the door is in the flat position the rope needs to be pressed into the glue and in both cases left for 24hrs to dry before use.

AVAILABLE ACCESSORIES FOR THE AVANCE 500 STOVE

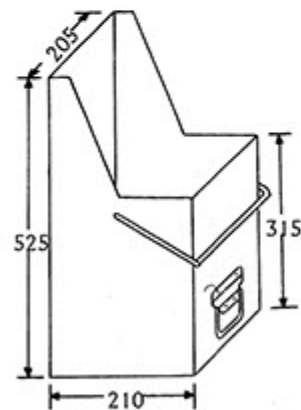
ALL MEASUREMENTS IN MILLIMETRES

Multi-fuel Ash Container Dunsley Part No. 01414



The ash shovel slides into the ash container to avoid possible spillage of ash when carrying through your residence.

Fuel Carrier Dunsley Part No. 01429



The nose fits easily through the door of the stove to re-fuel.

N.B. DRAWINGS NOT TO SCALE

21. The Clean Air Act 1993 and Smoke Control Areas

Under the Clean Air Act local authorities may declare the whole or part of the district of the authority to be a smoke control area. It is an offence to emit smoke from a chimney of a building, from a furnace or from any fixed boiler if located in a designated smoke control area. It is also an offence to acquire an "unauthorised fuel" for use within a smoke control area unless it is used in an "exempt" appliance ("exempted" from the controls which generally apply in the smoke control area).

In England appliances are exempted by publication on a list by the Secretary of State in accordance with changes made to sections 20 and 21 of the Clean Air Act 1993 by section 15 of the Deregulation Act 2015. Similarly, in Scotland appliances are exempted by publication on a list by Scottish Ministers under section 50 of the Regulatory Reform (Scotland) Act 2014. In Northern Ireland appliances are exempted by publication on a list by the Department of Agriculture, Environment and Rural Affairs under Section 16 of the Environmental Better regulation Act (Northern Ireland) 2016. In Wales appliances are exempted by regulations made by Welsh Ministers.

Further information on the requirements of the Clean Air Act can be found here:
<https://www.gov.uk/smoke-control-area-rules>

The Avance 500 has been recommended as a suitable for use in smoke control areas when burning seasoned wood logs. The appliance has a factory fitted modification to the secondary air control to prevent closure beyond 4mm open position.

Your local authority is responsible for implementing the Clean Air Act 1993 including designation and supervision of smoke control areas and you can contact them for details of Clean Air Act requirements.

Please note the following advice on minimising smoke emissions:

Damper left open

Operation with the air controls or dampers open can cause excess smoke. The appliance must not be operated with air controls or dampers door left open except as directed in the instructions.

Refuelling on to a low fire bed

If there is insufficient burning material in the firebed to light a new fuel charge, excessive smoke emission can occur. Refuelling must be carried out onto a sufficient quantity of glowing embers and ash that the new fuel charge will ignite in a reasonable period. If there are too few embers in the fire bed, add suitable kindling to prevent excessive smoke. Only use the air controls as directed in the instructions.


Fuel overloading

The maximum amount of fuel specified in the manual should not be exceeded, overloading can cause excess smoke.

Operation with door left open

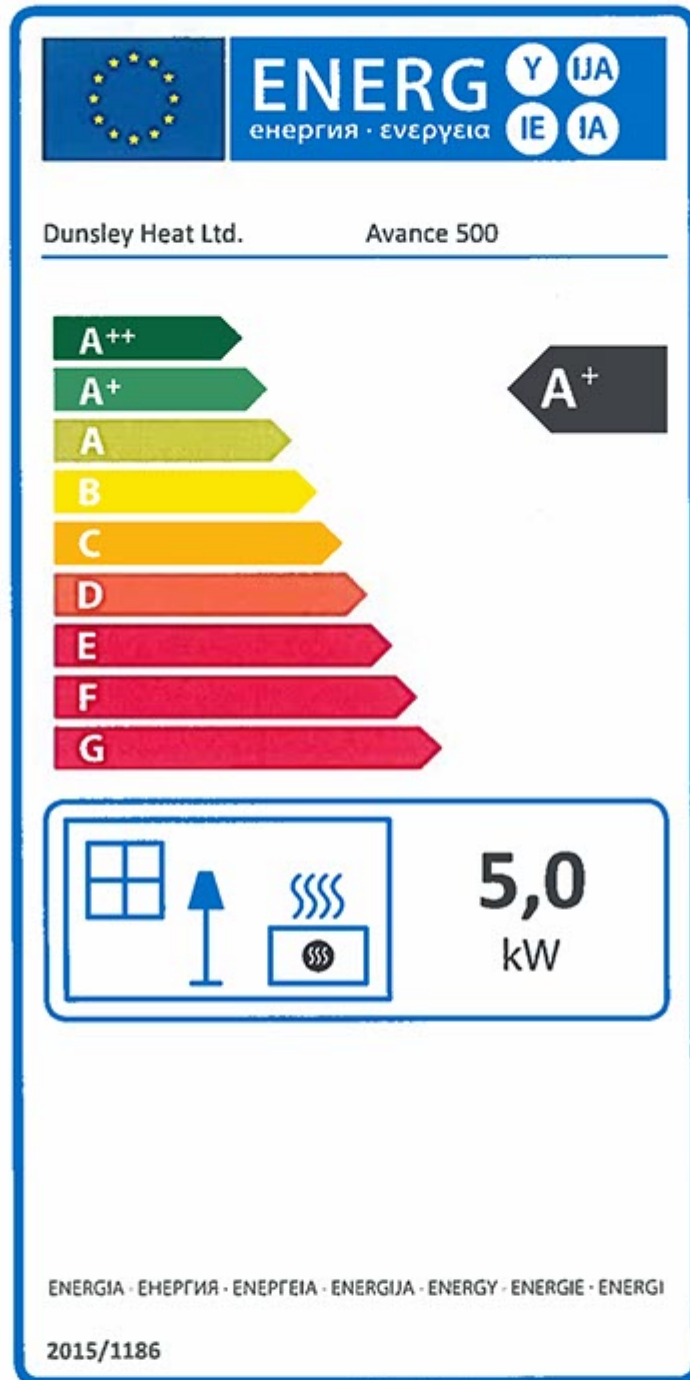
Operation with the door open can cause excess smoke. The appliance must not be operated with the appliance door left open except as directed in the instructions.

22. Roomheater Stove - Product Fiche

Product Fiche	
	
Energy Labelling Directive - (EU) 2015/1187 for Solid Fuel Boilers and Packages of Solid Fuel Boilers, Supplementary Heaters, Temperature Controls and Solar Devices	
Manufacturer Name:	Dunsley Heat Ltd
Model Name:	Avance 500
Energy Efficiency Class:	A+
Nominal Heat Output to Room:	5.0
Nominal Heat Output to Water:	0.0
Seasonal Space Efficiency:	107.8
Net Efficiency:	81.2
<p><i>Note: The product fiche can cover a number of solid fuel boiler models supplied by the same manufacturer. Please use additional cells containing the information above for more than 1 appliance.</i></p>	
Comments/Installation/Handover Instruction:	

AVANCE 500

23.



24. FITTING THE GRATE

To fit the optional solid fuel grates system

1. First you need to remove the fuel retainer by lifting the left side facing up first to clear the stove case and pull forward the right side will then be able to be lifted out.
2. Then take the 2 base bricks out by lifting the right hand brick up in the front right corner of the stove once you have taken that out the other brick will just lift out.
3. You can then fit the 2 side grate support, fitting up to each side and up to the rear bricks see fig. 7 you can now fit the 2 angle iron bars one at the rear in the side support slots at each side and same at the front.
4. Now place the two grates side by side pushed up to rear of stove, the grates can fit either side with the upright cast part nearest the front facing upwards.
5. You can now replace the fuel retainer which will be resting on the 2 side grate supports.

Fitting primary air slider onto door

1. Using an 8mm spanner take out the six screws holding the plate on the inside bottom door.
2. Now place the slider with the control knob through the right hand side of the inner door slot, position with the spacer and clamp place the 3 bottom screws in place see fig. 8
3. You will now be able to fit the primary air deflector in position with the other 3 screws provided.
4. Tighten all the 6 screws tight
5. You are now ready to light the fire with an approved smokeless fuel.

LIGHTING

De-ash the firebed, fully open the primary air inlet, bottom control. Half open the top air wash control, place two or three fire lighters, or paper on the grate with plenty of small sticks of dry wood on top. Ensure you have a good fire base, fuel with more wood if required, especially if the fuel you are to use is a hard coke or oval, lightly cover with the fuel you wish to use, light the fire lighters or paper, close and latch the stove door. When the fuel is burning well fully fuel the fire, adjust the air controls as required.
DO NOT OVER FIRE.

On first time lighting the stove will emit a smell and possibly a smokey haze which is not harmful but could set off any nearby fire alarms. To begin with, it is best to run the stove at a low temperature for four to five hours until the stove paint has cured.

CONTROL

The rate of burning and the heat output is controlled by the amount of air entering the firebox via the primary air control which is situated below the glass in the door and the secondary air wash situated at the top of the door, both are controlled by sliding action, right for ON, left for OFF.

To adjust the burning rate, with the fire burning well you will find that the primary air control requires opening to a greater degree particularly for a short while after re-fuelling.

If the fire has burnt very low, burning either wood or other fuels open up the primary air control to revive the fire for 2-3 minutes, use small pieces of wood if required.

The secondary air wash is the one that washes the glass to keep it clean, when closed for long burning periods the glass may discolour but should clear when the air wash is opened up again. The most suitable settings will quickly be found from experience. Move the air control slowly to find the suitable position 3mm open min setting. When the secondary air wash is in the closed position the air control is still slightly open to allow a bleed of air into the stove to assist in maintaining the stove in good condition, when not in use.

RE-FUELLING

To re-fuel, de-ash as required, open the door slowly, the firebox should be well fired but do not overfill. Do not allow any fuel to lodge between the glass and front bars, or touch the glass.

FUELS BURNT IN SMOKE CONTROL AREAS

The appliance can legally burn Authorised smokeless fuels in smoke control areas. Dunsley recommend the following authorised fuels: Phurnacite, Phurnacite nuts, Ancit, Taybrite, Sunbrite, Doubles, Extracite, Purheat, Maxibrite, Newflame, Supacite, Anthracite Large Nuts, approximately not less than 60mm cubes.

Do not use small size fuels i.e. Beans, Peas and Grains etc

PETROLEUM COKE and HOUSE COAL are not suitable for use.

PLEASE NOTE:

All fuels must be kept dry for best combustion results, also to help prevent discolouration on the glass of the fire door. Avoid fuel which contains much dust, or small particles.

CONDITION OF THE FIRE BARS:

The firebars are made from cast iron for strength and durability they will last a long time provided the ash is not allowed to build up in the ash compartment and touch the underside of the bars. Damaged bars should be promptly replaced.

AVANCE 500
OPTIONAL ACCESSORY - SOLID FUEL FIRE GRATE

FIG. 7

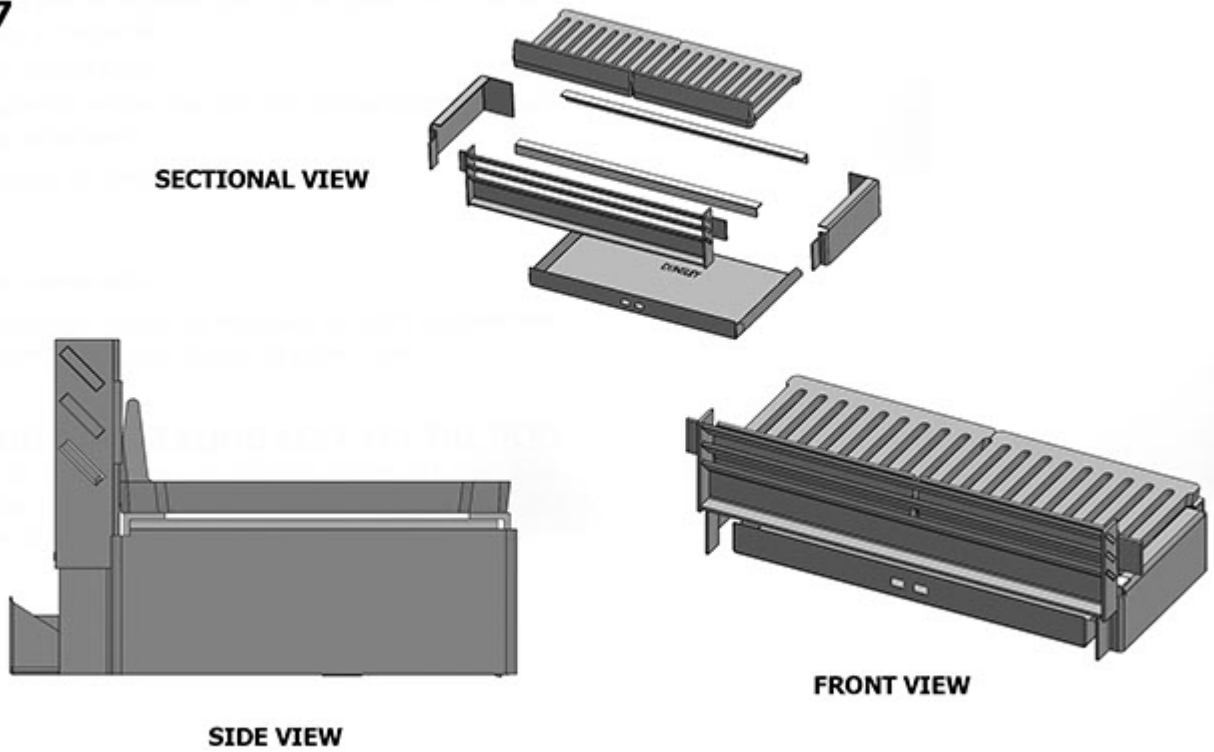


FIG. 8

FITTING PRIMARY AIR SLIDER
FOR OPTIONAL SOLID FUEL FIRE GRATE

