



*Fire Your Imagination*

# Studio

Freestanding Conventional Flue  
with Thermostatic Remote Control



**IMPORTANT:**  
FOR EASY TO FOLLOW,  
STEP BY STEP VIDEO  
INSTRUCTIONS ON HOW TO  
OPERATE AND MAINTAIN YOUR  
GAZCO REMOTE SYSTEM GO TO  
[WWW.GAZCO.TV](http://WWW.GAZCO.TV)

## Instructions for Use, Installation and Servicing

For use in GB, IE (Great Britain and Republic of Ireland)

### IMPORTANT

**THE OUTER CASING, FRONT AND GLASS PANEL BECOME EXTREMELY HOT DURING OPERATION AND WILL RESULT IN SERIOUS INJURY AND BURNS IF TOUCHED. IT IS THEREFORE RECOMMENDED THAT A FIREGUARD COMPLYING WITH BS 8423 (LATEST EDITION) IS USED IN THE PRESENCE OF YOUNG CHILDREN, THE ELDERLY OR INFIRM.**

This product contains a heat resistant glass panel. This panel should be checked during Installation and at each servicing interval. If any damage is observed on the front face of the glass panel (scratches, scores, cracks or other surface defects), the glass panel must be replaced and the appliance must not be used until a replacement is installed. Under no circumstances should the appliance be used if any damage is observed, the glass panel is removed or broken.

These Instructions must be left with the appliance for future reference and for consultation when servicing the appliance. Please make the customer aware of the correct operation of the appliance before leaving these instructions with them.

The commissioning sheet found on Page 3 of this Instruction manual must be completed by the Installer prior to leaving the premises.

# Contents

## Studio Freestanding - Conventional Flue

Covering the models listed on page 9, Technical Specification.

<b>Appliance Commissioning Checklist</b> .....	<b>3</b>
<b>User Instructions</b> .....	<b>4</b>
<b>Installation Instructions</b> .....	<b>9</b>
Technical Specifications .....	9
Site Requirements .....	12
Installation .....	14
Commissioning .....	31
<b>Servicing Instructions</b> .....	<b>32</b>
Fault Finding .....	32
How to replace parts .....	34
Spare parts list .....	40
Service Records .....	45
Information Requirements .....	46



If you have purchased your stove or fire from an authorised stockist within our Expert Retailer Network, then automatically your product will carry a 2 year warranty as standard. The 2 year warranty can be further extended to a total warranty period of 5 years by registering your Gazco Stove or Fireplace within one month of the latter of the purchase date or installation date. Accordingly, the start date for the warranty period is the date of purchase. During the registration process, the Expert Retailer details will be required for your Extended Warranty to be activated. Any product purchased outside of our Expert Retailer Network will carry a standard 12 month, non-extendable warranty.

It is a condition of the Extended Warranty that the installation complies with the relevant Building Regulations and is carried out by a suitably trained and qualified individual (GasSafe in the UK or equivalent in other countries) with the certificate of installation and the Commissioning Report on Page 3 completed and retained by the end user.

Full terms and conditions are detailed in the Warranty Statement on the Gazco website [www.gazco.com](http://www.gazco.com). In the event of any conflict of information the wording on the website shall prevail.

**Important Note:** Should any problems be experienced with your product, claims must first be submitted to the Expert Retailer where the appliance was purchased from who will offer immediate assistance or contact Gazco on your behalf.



**It is a requirement of the Building Regulations 2010 that the installation of this appliance is notified to the Local Authority. It is the responsibility of the GasSafe registered installer to carry out this notification to the Local Authority via the GasSafe register Competent Persons Scheme in England and Wales (different rules apply in Scotland and Northern Ireland).**

**When the installation has been notified, GasSafe will send a Building Regulations Compliance Certificate to you containing details of the work completed. Please ensure that the person responsible for the installation of this appliance completes this notification and records it in the Appliance Commissioning Checklist on page 3.**

**IT IS YOUR RESPONSIBILITY TO COMPLY WITH THE BUILDING REGULATIONS AND BE ABLE TO PRODUCE THIS CERTIFICATE SHOULD IT BE REQUIRED IN THE FUTURE.**

# Appliance Commissioning Checklist

To assist us in any guarantee claim please complete the following information:-

## IMPORTANT NOTICE

Explain the operation of the appliance to the end user, hand the completed instructions to them for safe keeping, as the information will be required when making any guaranteed claims.

FLUE CHECK	PASS	FAIL
1. Flue Is correct for appliance		
2. Flue flow Test		
3. Spillage Test		
GAS CHECK	PASS	FAIL
1. Gas soundness & let by test		
2. Standing gas pressure	mb	
3. Appliance working pressure (on High Setting) NB All other gas appliances must be operating on full	mb	
4. Gas rate	m <sup>3</sup> /h	
5. Does Ventilation meet appliance requirements		
BUILDING CONTROL NOTIFICATION	YES	NO
1. Installer notified GasSafe/Local Authority of installation via Competent Persons Scheme?		

## RETAILER AND INSTALLER INFORMATION

Retailer .....

.....

.....

Contact No.....

Date of Purchase .....

Model No. ....

Serial No.....

Gas Type .....

Installation Company.....

.....

.....

Engineer.....

Contact No.....

GasSafe Reg No. ....

Date of Installation .....

# User Instructions

## Welcome

*Congratulations on purchasing your Studio fire, if installed correctly Gazco hope it will give you many years of warmth and pleasure for which it was designed.*

*The purpose of this manual is to familiarise you with your appliance, and give guidelines for its installation, operation and maintenance. If, after reading, you need further information, please do not hesitate to contact your Gazco retailer.*

## WARNING



**In the event of a gas escape or if you can smell gas, please take the following steps:**

- Immediately turn off the gas supply at the meter/emergency control valve
- Extinguish all sources of ignition
- Do not smoke
- Do not operate any electrical light or power switches (On or Off)
- Ventilate the building(s) by opening doors and windows
- Ensure access to the premises can be made

**Please report the incident immediately to the National Gas Emergency Service Call Centre on 0800 111 999 (England, Scotland and Wales) , 0800 002 001 (N. Ireland) or in the case of LPG, the gas supplier whose details can be found on the bulk storage vessel or cylinder.**

**The gas supply must not be used until remedial action has been taken to correct the defect and the installation has been recommissioned by a competent person.**

## 1. General

- 1.1 Installation and servicing must only be carried out by a competent person whose name appears on the GasSafe register. To ensure the engineer is registered with GasSafe they should possess an ID Card carrying the following logo:



- 1.2 In all correspondence, please quote the appliance type and serial number, which can be found on the data badge located on a plate under the main burner.

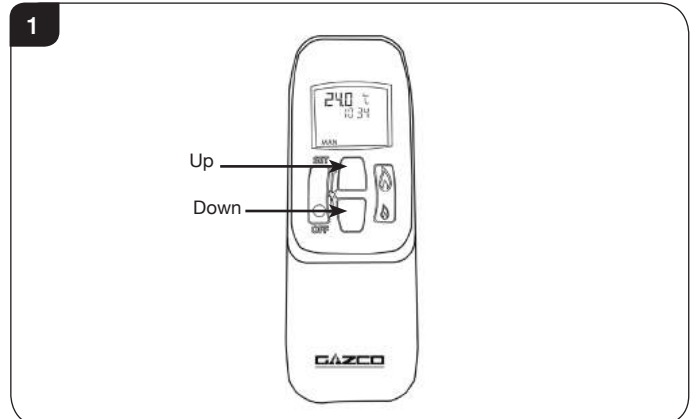
- 1.3 Do not place curtains above the appliance: You must have 300mm clearance between the appliance and any curtains at either side.
- 1.4 No furnishings or other objects should be placed within 1 metre of the front of the appliance.
- 1.5 If a shelf is fitted, a distance of 400mm above the appliance is required.
- 1.6 If any cracks appear in the glass panel do not use the appliance until the panel has been replaced.
- 1.7 This product is guaranteed for 5 years from the date of installation, as set out in the terms and conditions of sale between Gazco and your local Gazco retailer. Please consult with your local Gazco retailer if you have any questions. In all correspondence always quote the Model Number and Serial Number.



**IMPORTANT: NEVER position a television or screen above this appliance.**

## 2. Operating the Appliance

The appliance is operated by thermostatic remote control.



- 2.1 **Turning the appliance On:**  
Your remote can control the gas fire from pilot ignition through to shut down.

To turn the fire on press the OFF button and the UP button simultaneously. You hear several short signals.

**The pilot and main burner ignite and the remote is now in Manual Mode:**



**IMPORTANT: YELLOW FLAMES TYPICALLY APPEAR WHEN THE APPLIANCE HAS REACHED NORMAL OPERATING TEMPERATURE. THIS CAN TAKE UP TO 30 MINUTES.**



**WARNING: IF THE APPLIANCE FAILS TO LIGHT OR BECOMES EXTINGUISHED IN USE, WAIT 3 MINUTES BEFORE ATTEMPTING TO RELIGHT.**

# User Instructions

2.2 There are 3 different modes available for controlling and operating the appliance:

1. Manual Mode
2. Temp Mode (Automatic)
3. Timer Mode (Automatic)

2.3 In **MANUAL MODE** you can:

- turn on the main burner using the UP button
- regulate the flame from high to low and back
- turn off the burner leaving just the pilot burning

In **TEMP MODE (Automatic)** you can:

- set the room temperature so the thermostat in the remote automatically maintains that temperature

In **TIMER MODE (Automatic)** the fire:

- turns on and off according to the set time periods
- automatically regulates the room temperature during the set periods



**NOTE: When operating the fire in Temp or Timer mode, the pilot remains lit and the fire then automatically switches on at programmed times to bring the room to the set temperature whether or not you are in the room. NEVER LEAVE ANY COMBUSTIBLE MATERIALS WITHIN 1 METRE OF THE FRONT OF THE APPLIANCE.**

## Switching Between Modes

2.4 Press the SET button to change to Temperature Mode. Press again to change to Timer Mode. Keep pressing to run through all operating modes. These are:

- MAN
  - DAY TEMP
  - NIGHT TEMP
  - TIMER
- and back to MAN

**NOTE: MAN mode can also be reached by pressing either the UP or DOWN button.**

## Manual Mode

2.5 Press the OFF button and the UP button simultaneously. You hear several clicks and audible beeps as the fire begins the ignition process, (up to 30 seconds).

### Turning the appliance Off:

Press the OFF button to turn the appliance off.

**FOR SAFETY, YOU MUST WAIT 30 SECONDS BEFORE LIGHTING THE FIRE AGAIN.**

### Increasing the Flame Height:

Press the UP button once to increase flame height one stage. Press and hold the UP button to increase to maximum.

### Decreasing the Flame Height:

Press the DOWN button once to decrease flame height one stage. Press and hold the DOWN button to decrease to minimum. At the lowest point the fire goes to 'Standby Mode' (Only Pilot lit).



**NOTE: While pressing a button a symbol indicating transmission appears on the display. The receiver confirms transmission with a sound signal.**

## Temp Mode (Automatic)

2.6 The display shows the current room temperature.

To increase or decrease the fire's output:

Press the SET button to select either the DAY TEMP or the NIGHT TEMP mode by briefly pressing the SET button.

Hold the SET button until the TEMP display flashes and then let go.

Set the desired temperature with the UP and DOWN arrows. (Minimum temperature 5C, maximum 40C or 40F to 99F when Fahrenheit is the preferred option).

Press the OFF button to stop the display flashing or wait to return to TEMP mode.



**NOTE: If you set a temperature that is beneath the current room temperature, the fire automatically switches to PILOT (Stand by).**

**If you would like the Night temperature control to turn off then decrease the temperature until [--] is displayed.**

## Timer Mode (Automatic)

2.7 There are two programmable settings you can make over a 24 hour period, P1 and P2. These are normally used to provide an early morning and evening setting for each working week:

- P1 + ● = Start Timed Setting 1
- P1 + ☺ = End of Timed Setting 1
- P2 + ● = Start Timed Setting 2
- P2 + ☺ = End of Timed Setting 2

2.8 **P1 - Program 1 for a Timed Setting**

Press the SET button until the TIMER mode is displayed.

Hold the SET button. The displays flashes the current time for P1. **While the time displayed is flashing you can alter the hours and minutes set.**

To set the time your fire first lights, change P1 ●:

- Press the UP button to alter the hour
- Press the DOWN button to alter the minutes in 10 minute increments

Press SET again to move to the end setting for P1 ☺ This is the time your Studio first shuts down:

- Press the UP button to alter the hour
- Press the DOWN button to alter the minutes

# User Instructions

## 2.9 P2 - Program 2 for a Timed Setting

Use the same steps outlined in 2.8 to change the setting for P2.

If you have already set P1 and want to alter the setting for P2 only:

- Press the SET button until TIMER mode is displayed
- Hold the SET button **until the display flashes the current time** for P1 ●
- Press the SET button once again to scroll past the settings for P1 ● and P1

With the time still flashing:

- Press the UP button to alter the hour
- Press the DOWN button to alter the minutes

Once all four times are set press the OFF button.

## 2.10 To view existing settings:

- Select Timer Mode
- Press and briefly hold the SET button you see the start time for P1
- Repeat the above step for the start and end of each program

## Low Battery

“BATT” is displayed on the remote when its batteries need replacement.

## Setting the time

Simultaneously press the up and down buttons.

Press the up button to set the hour and the down button to set the minutes.

Press OFF to return to the manual mode or simply wait.

## Setting the °C/24 Hour or °F/12 Hour clock

Press OFF and the down arrow until the display changes from °C/24 hour clock to °F/12 hour clock and vice versa.

**i** If the remote is removed, lost or damaged, signals transmitted to the receiver cease. Your fire will go to standby (pilot) mode after 6 hours.

## Troubleshooting



**IMPORTANT:** In the unlikely event that the handset fails to communicate correctly with the appliance it may be necessary to turn off the gas supply at the isolation valve until any problems can be resolved.

The gas meter and isolation valve can be located outside in a meter box, under the stairs, beneath the kitchen sink or in the garage. Whilst this list is not exhaustive, it is important to be able to identify the location of the valve in case of any gas emergency.

To turn off the gas supply, simply turn the handle so the lever is at 90 degrees to the upright gas pipe.

If you smell gas, open doors and windows and never operate any electrical switches. Immediately call the Gas Emergency Services on 0800 111 999.

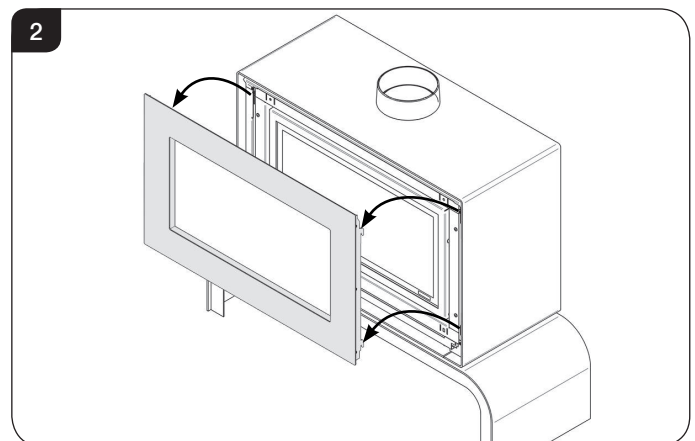
## 3. Cleaning the Studio

3.1 Make sure the appliance and surrounds are cool before cleaning.

3.2 Use:

- A damp cloth for the decorative front
- A damp cloth to clean the inner panels (Black Glass version only)
- Soap and water to clean the glass

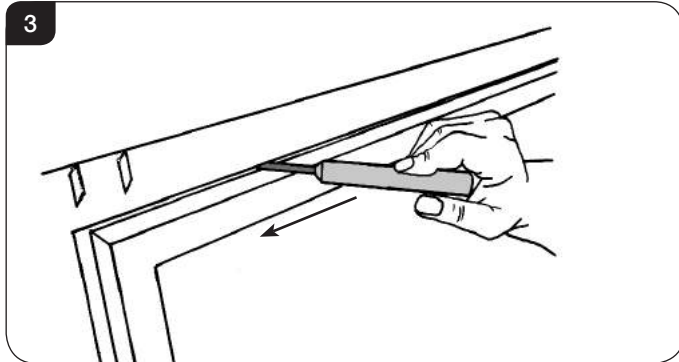
3.3 Remove the decorative front by lifting to disengage the fixing hooks from the locating slots, see Diagram 2.



# User Instructions

3.4 Using the hexagon key provided release the window locks at the top of the glass door, see Diagram 3.

3.5 The locks move from shut to open towards the outer edges of the glass door, see Diagram 3.



3.6 Support the door and let it fall gently forward.

3.7 Open it down to its stop position.

3.8 When closing the door ensure the door catches are fully engaged.

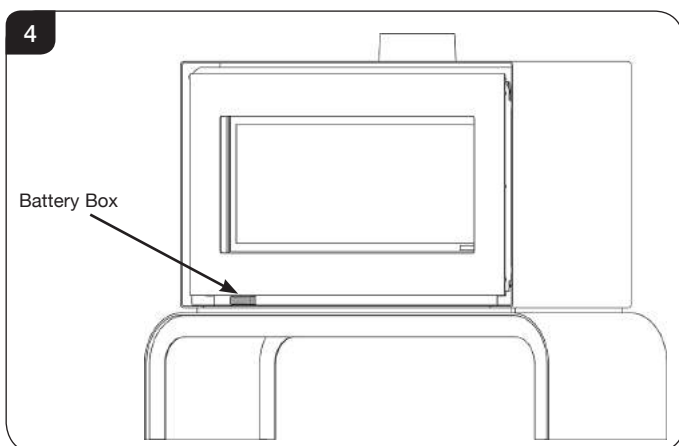


**UNDER NO CIRCUMSTANCES SHOULD THE APPLIANCE BE USED WITHOUT THE CATCHES HOLDING THE DOOR IN PLACE.**

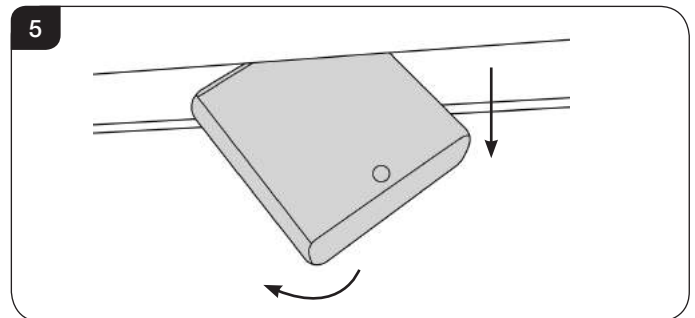
## 4. Changing the Appliance Batteries

The batteries can be accessed without removing the decorative front.

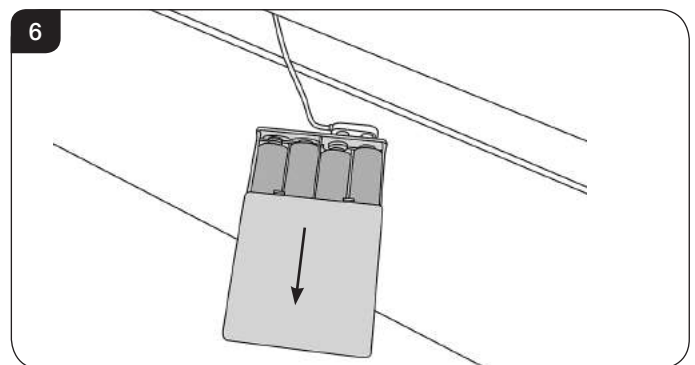
4.1 The battery box is located between the decorative front and the outer box on the bottom left hand side of the appliance, see Diagram 4.



4.2 Pull the battery box forward as far as possible, then twist slightly to the left to remove, see Diagram 5.



4.3 Remove the cover by sliding off in the direction of the arrow as shown in Diagram 6.



4.4 Correctly position the 4 new AA size batteries into the battery holder.



**It is essential to use high quality batteries (Duracell or equivalent) when replacing batteries in the handset or control box.**

4.5 Re-assemble in reverse order.



**PLEASE ENSURE NO WIRES ARE TRAPPED WHEN REPLACING THE BATTERY BOX INTO THE BRACKET. THE LEADS ARE EASILY DAMAGED.**



# User Instructions

## 5. Flame Failure Device

- 5.1 This is a safety feature incorporated on this appliance which automatically switches off the gas supply if the pilot goes out and fails to heat the thermocouple.

**IF THIS OCCURS DO NOT ATTEMPT TO RELIGHT THE APPLIANCE FOR 3 MINUTES.**

## 6. Running In

- 6.1 During initial use of a new GAZCO appliance a strong odour will be encountered as various surface coatings become hot for the first time. Although these odours are harmless it is recommended that the appliance is operated on maximum for 4 to 8 hours in order to fully burn off these coatings. After this period the odours should then disappear.

If the odours persists, please contact your installer for advice.

- 6.2 During the first few hours of burning there may be discolouration of the flames. This will also disappear after a short period of use.

## 7. Servicing

- 7.1 The appliance must be serviced every 12 months by a qualified GasSafe Engineer. In all correspondence always quote the Model number and the Serial number which may be found on the Commissioning Checklist (Page 3).

## 8. Ventilation

- 8.1 Any purpose provided ventilation should be checked periodically to ensure that it is free from obstruction.

## 9. Installation Details

- 9.1 Your installer should have completed the commissioning sheet at the front of this book. This records the essential installation details of the appliance. In all correspondence always quote the Model number and Serial number.

## 10. Hot Surfaces

- 10.1 Parts of this appliance become hot during normal use.
- 10.2 Regard all parts of the appliance as a working surface.
- 10.3 Provide a suitable fire guard to protect young children and the infirm.

## 11. Appliance will not light

If you cannot light the Studio:

- 11.1 Check and change the batteries in the remote handset.
- 11.2 Check and change the appliance batteries (see Section 3).
- 11.3 Consult your Gazco retailer or installer if the Studio still does not light.



# Installation Instructions

## Technical Specification

Covering the following models:

### LOG

Model	Studio 1 - White		Studio 2 - White		Studio 1 - Black		Studio 2 - Black	
	Nat Gas	LPG	Nat Gas	LPG	Nat Gas	LPG	Nat Gas	LPG
Vermiculite	508-055	508-490	508-315	508-646	508-011	508-533	508-346	508-599
Black Reeded	508-165	508-580	508-332	508-695	508-020	508-571	508-387	508-612
Black Glass	508-199	508-606	508-187	508-418	508-147	508-589	508-094	508-426

### PEBBLE & STONE

Model	Studio 1 - White		Studio 2 - White		Studio 1 - Black		Studio 2 - Black	
	Nat Gas	LPG	Nat Gas	LPG	Nat Gas	LPG	Nat Gas	LPG
Vermiculite	508-196	508-478	508-209	508-717	508-244	508-429	508-098	508-622
Black Reeded	508-307	508-500	508-260	508-731	508-398	508-437	508-191	508-630
Black Glass	508-366	508-615	508-282	508-750	508-077	508-517	508-207	508-651

### DRIFTWOOD

Model	Studio 1 - White		Studio 2 - White		Studio 1 - Black		Studio 2 - Black	
	Nat Gas	LPG	Nat Gas	LPG	Nat Gas	LPG	Nat Gas	LPG
Vermiculite	508-030	508-435	508-226	508-519	508-014	508-409	508-106	508-425
Black Reeded	508-059	508-456	508-272	508-538	508-029	508-420	508-145	508-487
Black Glass	508-066	508-479	508-303	508-581	508-045	508-440	508-201	508-498

Model	Gas CAT.	Gas Type	Working Pressure	Aeration	Injector	Gas Rate m <sup>3</sup> /h	Input kW (Gross)		Country
							High	Low	
Studio 1	I <sub>2</sub> H	Natural Gas G20	20mbar	3mmØ (Q)	360	0.600	6.3	4.0	GB, IE
	I <sub>3</sub> P	Propane G31	37mbar	Blank (A) + 16mm x 23mm	180	0.260	6.9	3.5	GB, IE
Studio 2	I <sub>2</sub> H	Natural Gas G20	20mbar	6mm x 15mm	530	0.809	8.5	4.4	GB, IE
	I <sub>3</sub> P	Propane G31	37mbar	5mmØ (M) + 16mm x 23mm	150	0.316	8.5	4.4	GB, IE
<b>Studio 1 - Efficiency Class 2 - 72% / NOx Class 4</b>									
<b>Studio 2 NG - Efficiency Class 2 - 81% / NOx Class 4</b>									
<b>Studio 2 LPG - Efficiency Class 1 - 82% / NOx Class 4</b>									
Flue Size - TOP EXIT 128mm ø									
Gas Inlet Connection Size = 8mm ø									
Minimum Flue Specification = T250/N2/O/D/1									
Maximum Flue Temp = 220°C									

**i** The net efficiency of this appliance has been measured as specified in EN613:2001 and the result after conversion to gross using the appropriate factor from Table E4 of SAP 2012 is 66.3% for the Studio 1, 73.0% for the Studio 2 NG and 75.5% for the Studio 2 LPG. The test data has been certified by Kiwa Nederland BV. The gross efficiency value may be used in the UK Government's Standard Assessment Procedure (SAP) for energy rating of dwellings.

# Installation Instructions

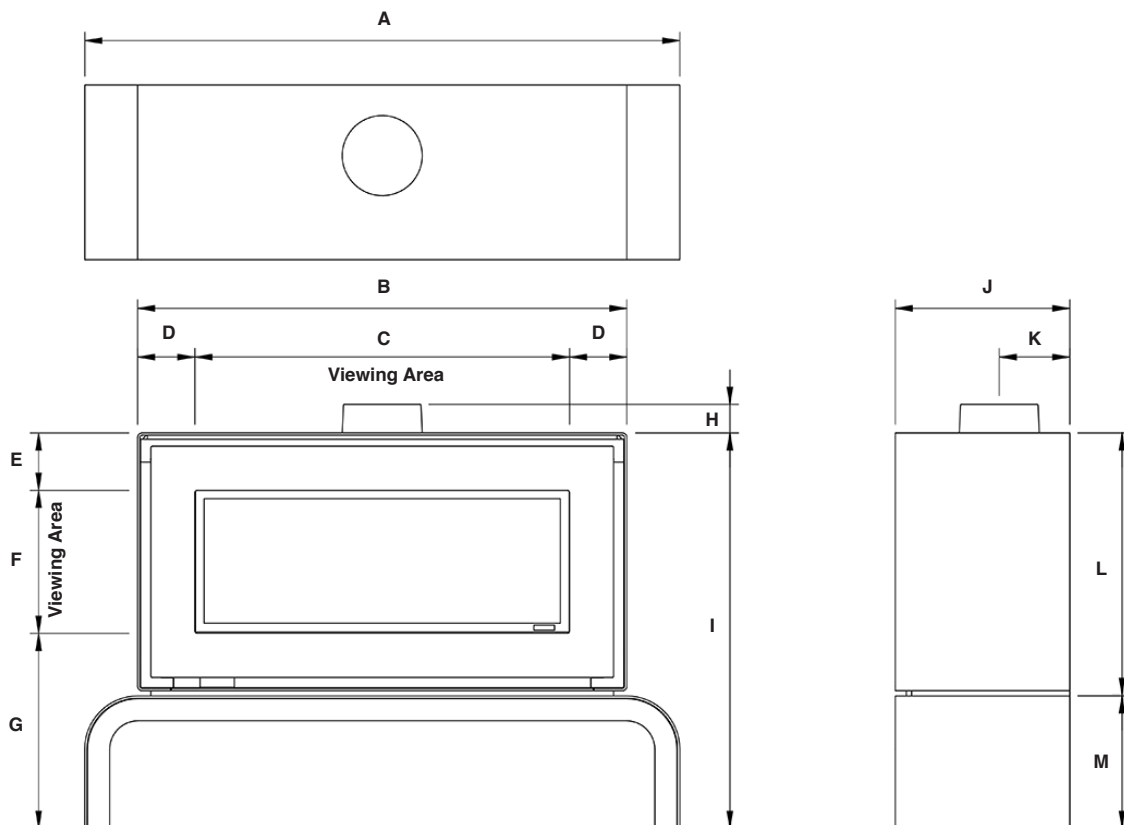
## Technical Specification

This appliance has been certified for use in countries other than those stated. To install this appliance in these countries, it is essential to obtain the translated instructions and in some cases the appliance will require modification. Contact Gazco for further information.

### PACKING CHECKLIST

Qty Description	Fixing Kit containing:
<b>Stone &amp; Pebble Effect Version</b>	1 x Instruction Manual
1 x White Stone Chippings	1 x Handset
1 x Pebble Set	1 x Quick Start Guide
<b>Log Version</b>	1 x Door Tool
1 x Log Set	1 x 8mm Elbow
1 x Lava Rock	8 x M5 Zinc Black Washer
1 x Slate	1 x 9v cell battery
<b>Driftwood Log Version</b>	4 x AA cell batteries
1 x Driftwood Log Set	8 x 25 Hex Head Screws
1 x Lava Rock	1 x Bag Embaglow material
1 x Slate	

Freestanding Studio with Bench

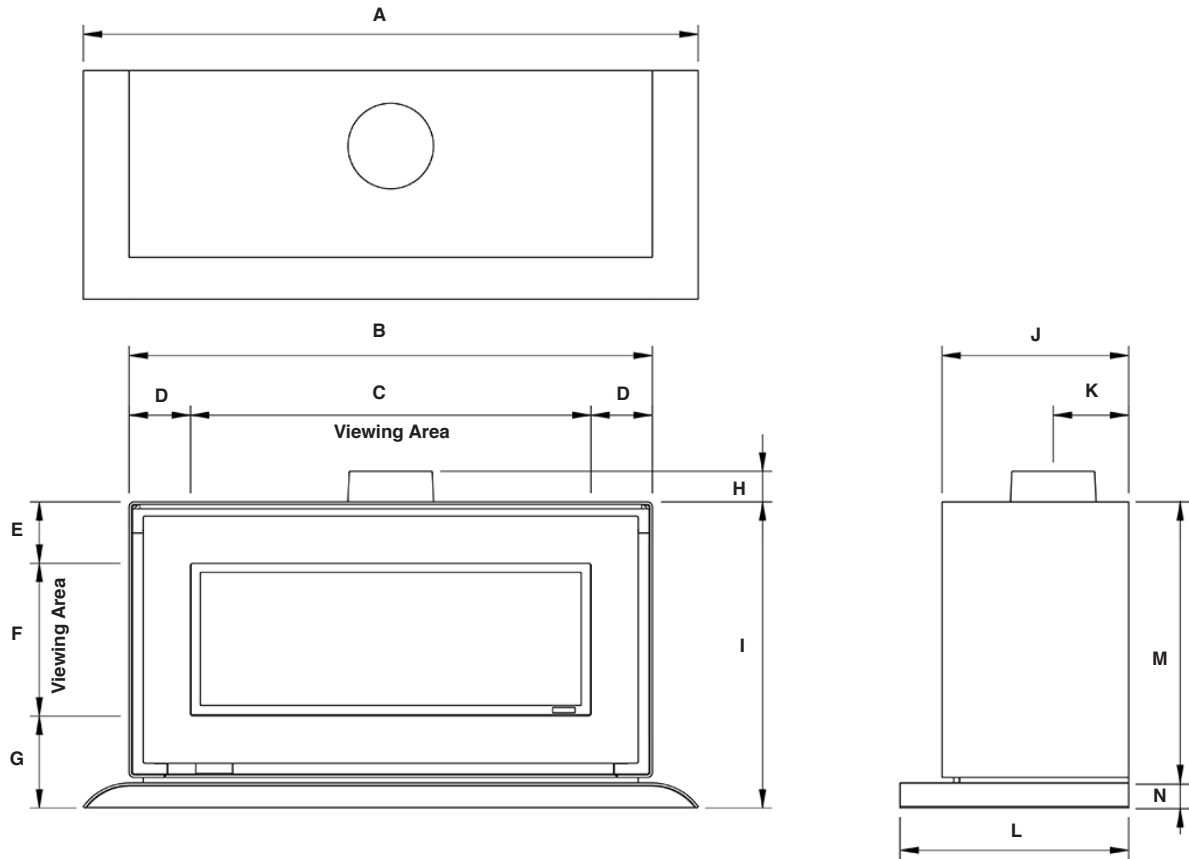


Model	A	B	C	D	E	F	G	H	I	J	K	L	M
Studio 1	1150	910	650	130	130	324	442	43.5	896	396	148	596	300
Studio 2	1350	1110	850	130	130	324	442	43.5	896	396	148	596	300

# Installation Instructions

## Technical Specification

Freestanding Studio with Plinth



Model	A	B	C	D	E	F	G	H	I	J	K	L	M	N
Studio 1	1105	910	650	130	130	324	195	43.5	649	396	148	485	596	53
Studio 2	1305	1110	850	130	130	324	195	43.5	649	396	148	485	596	53

# Installation Instructions

## Site Requirements

### 1. Flue & Chimney Requirements

**WHEN INSTALLING A FLUE SYSTEM PLEASE REFER TO THE MANUFACTURER'S INSTRUCTIONS.**

The European chimney standards now describe chimneys and flues by their temperature, pressure and resistance to corrosion, condensation and fire. To identify the correct flue system, the minimum flue specification is shown in the Technical Specification. Existing chimneys are not covered by this system.

The flue must be installed in accordance with all local and national regulations and the current rules in force:

- 1.1 A flexible liner must be continuous from the appliance spigot to the roof terminal.
- 1.2 The minimum effective height of the flue must be 3m (10').
- 1.3 The flue must be free from any obstruction.
- 1.4 Any damper plates must be removed or secured in the fully open position and no restrictor plates fitted.
- 1.5 The chimney should be swept immediately before installing the appliance, but it need not be swept if you can see the chimney is clean and free from obstruction throughout.

### 2. Flue Options

**Top Exit only - Twin Wall Rigid 127mm (5")**

**A range of Vitreous Enamel Gloss Black flue pipe is available to compliment the appliance. Please contact your Gazco retailer for further information.**

### 3. Gas Supply

**This appliance is intended for use on a gas installation with a governed meter.**

- 3.1 Make sure local distribution conditions (identification of the type of gas and pressure) and the adjustment of the appliance are compatible before installation.
- 3.2 Ensure the gas supply delivers the required amount of gas and is in accordance with the rules in force.
- 3.3 Soft copper tubing can be used on the installation and soft soldered joints outside the appliance and below the firebed.
- 3.4 A factory fitted isolation device is part of the inlet connection; no further isolation device is required.
- 3.5 All supply gas pipes must be purged of any debris that may have entered prior to connection to the appliance.

- 3.6 The gas supply enters through the silicone panel located beneath the control access panel at the base of the firebox. Slit with a sharp knife before passing the supply pipe through.
- 3.7 The gas supply must be installed in a way that does not restrict the removal of the appliance for servicing and inspection.

### 4. Ventilation

**IMPORTANT: Ensure any national ventilation requirements are taken into account during installation of the appliance.**

**UK ONLY:**

The Studio 1 has a nominal input not exceeding 7.0kW and does not normally require any additional permanent ventilation.

The Studio 2 must have permanent ventilation with a minimum open area of 4cm<sup>2</sup>.

If however, spillage is detected when commissioning the appliance, there may be insufficient natural ventilation and additional ventilation may be required.

**FOR THE REPUBLIC OF IRELAND REFER TO THE RULES IN FORCE FOR VENTILATION REQUIREMENTS.**

### 5. Appliance Location

- 5.1 This appliance has been designed to stand on a designated bench or plinth.
- 5.2 For practical reasons, the floor should be flat and solid to allow the appliance to be levelled and secured in place.
- 5.3 This appliance may be situated anywhere in the room, but due consideration should be taken to ensure that it is sited within the constraints of the allowable flue configuration.
- 5.4 If the appliance is to be sited against a combustible wall, a clearance of 50mm should be allowed between the wall and the rear of the appliance.
- 5.5 This appliance must not be installed in a room that contains a bath or shower.
- 5.6 Installations on a Bench or Plinth do not need a non-combustible floor but the appliance must not be fitted on a carpet. Use a solid floor.
- 5.7 Installations on a Bench or Plinth do not require fixing to the floor.
- 5.8 To secure the appliance to the Bench or Plinth follow the instructions on Page 15.

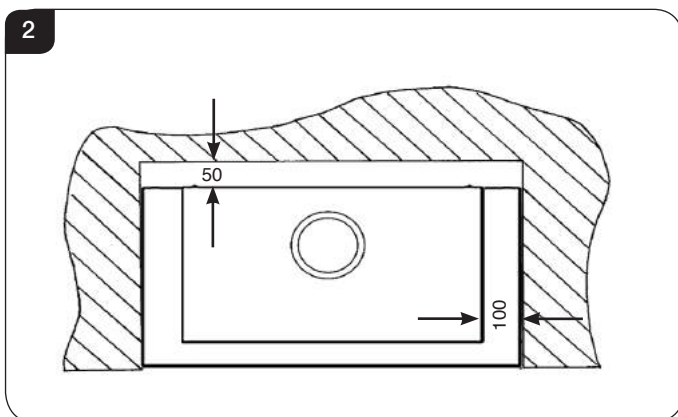
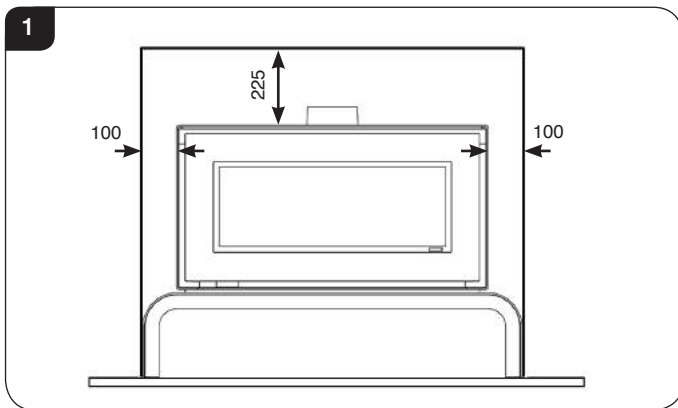
# Installation Instructions

## Site Requirements

### Minimum Clearance

- 5.9 The appliance is not suitable for installation against a combustible wall. All combustible materials must be removed from behind the appliance.
- 5.10 **Ensure that all minimum clearances to combustible materials are complied with, see Diagrams 1 & 2.**

The specified clearances provide the minimum distance to combustible materials. If the appliance is intended to be installed into a non-combustible opening the clearance to the **sides and above** the appliance can be reduced. However, it is recommended that the specified clearances are maintained irrespective of the materials used in the construction of the opening to allow adequate air flow and access to controls.



# Installation Instructions

## 1. Safety Precautions

- 1.1 For your own and other's safety, you must install this stove according to local and national codes of practice. Failure to install the stove correctly could lead to prosecution. **Read these instructions before installing and using this appliance.**
- 1.2 These instructions must be left intact with the user.
- 1.3 Do not attempt to burn rubbish on this appliance.
- 1.4 Keep all plastic bags away from young children.
- 1.5 Do not place any object on or near to the appliance and allow adequate clearance above the appliance.

**IF THE APPLIANCE IS EXTINGUISHED OR GOES OUT IN USE, WAIT 3 MINUTES BEFORE ATTEMPTING TO RELIGHT THE APPLIANCE.**

- 1.6 The appliance is fitted with an oxygen sensitive pilot that will act to cut off the gas supply to the appliance in the event of incorrect operation of the flue. If the system acts to shut off the gas supply, this indicates that there is insufficient flue pull. Continued operation of this safety device means that there may be a serious problem with the flue system, and this should be inspected by a qualified GasSafe engineer. **Do not use the appliance until an engineer says it is safe to do so.** The oxygen sensitive pilot must not be tampered with. Use only genuine Gazco replacement parts when servicing the appliance - refer to Servicing section.

**i** **IMPORTANT: REFER TO DATA BADGE AND TECHNICAL SPECIFICATION AT THE FRONT OF THE MANUAL TO ENSURE THE APPLIANCE IS CORRECTLY ADJUSTED FOR THE GAS TYPE AND CATEGORY APPLICABLE IN THE COUNTRY OF USE.**

**FOR DETAILS OF CHANGING BETWEEN GAS TYPES REFER TO SERVICING, SECTION 15, REPLACING PARTS.**

## Unpacking

- 1.7 Remove the appliance from its packaging, and check that it is complete and undamaged.  
  
Put the loose ceramic parts to one side so that they are not damaged during installation.

## 2. Installation of the Appliance



**WARNING: THIS APPLIANCE IS HEAVY. USE CAUTION WHEN INSTALLING, REMOVING AND STORING AS THE APPLIANCE IS HEAVY AND SHOULD BE HANDLED CAREFULLY.**

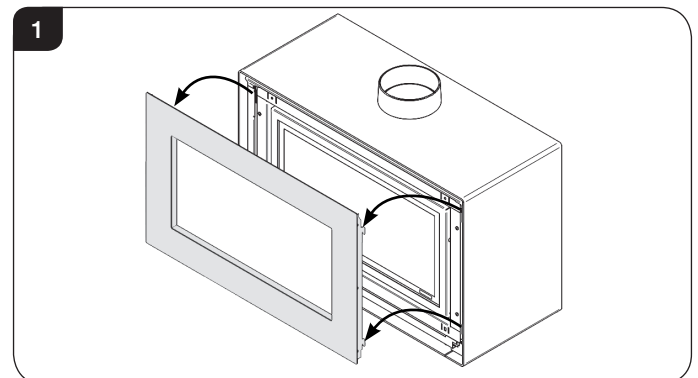
**AT LEAST TWO PEOPLE WILL BE REQUIRED TO INSTALL THIS APPLIANCE.**

There are two types of installation:

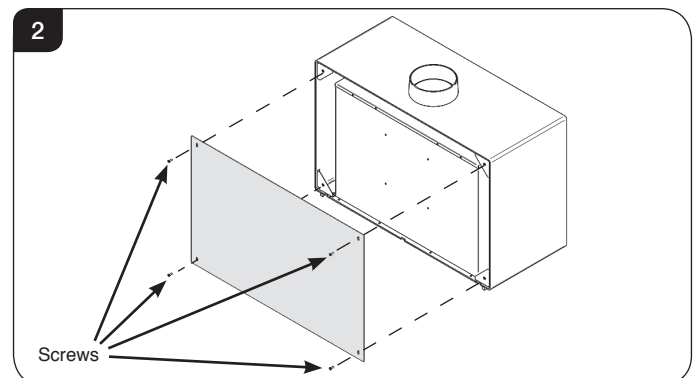
Bench Installation  
Plinth Installation

The method of installation is the same for both types of installation.

- 2.1 The following steps will need to be carried out prior to positioning the appliance in its final position.
- 2.2 Position the flue collar onto the top of the appliance.
- 2.3 Remove the decorative front by lifting to disengage the fixing hooks from the locating slots, see Diagram 1.



- 2.4 Place carefully to one side.
- 2.5 Remove the 4 screws to detach the back plate, see Diagram 2.

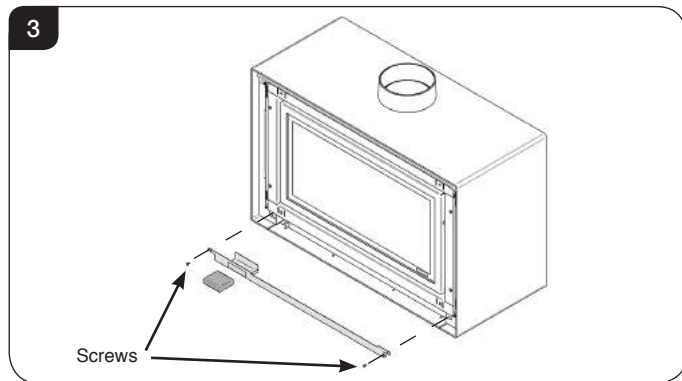


- 2.6 Place carefully to one side.

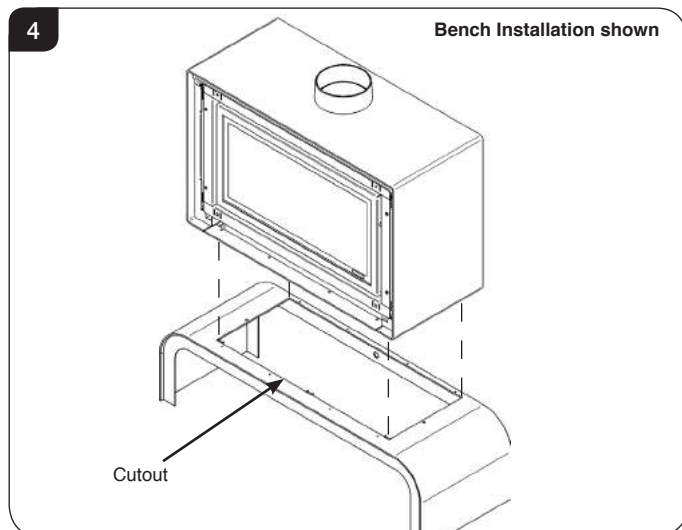
# Installation Instructions

- 2.7 Remove the 2 screws and detach the front bottom trim, see Diagram 3.

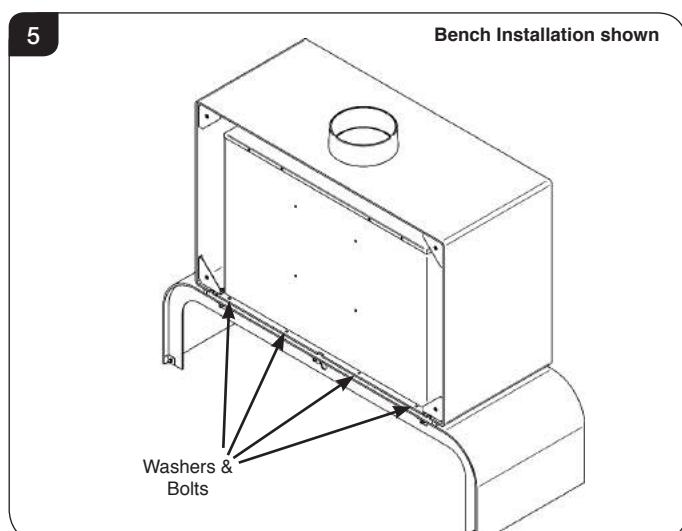
The battery box is located behind the front bottom trim. When removing the front bottom trim disconnect the cable from the battery box.



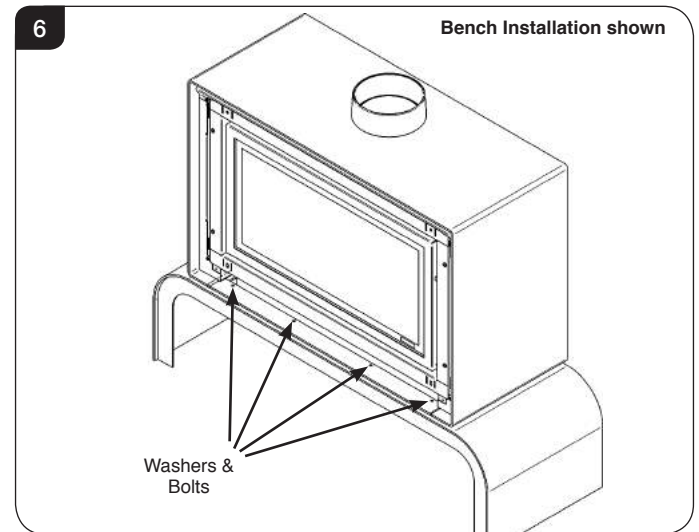
- 2.8 Carefully align the base of the appliance with the cutout and fixing holes in the Bench or Plinth. Carefully lower into position, see Diagram 4.



- 2.9 Using a spanner secure the back of the appliance to the Bench or Plinth with 4 washers and bolts supplied, see Diagram 5.



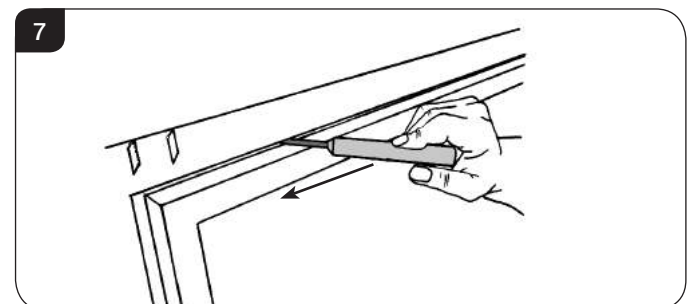
- 2.10 Using a spanner secure the front of the appliance to the Bench or Plinth with 4 washers and bolts supplied, see Diagram 6.



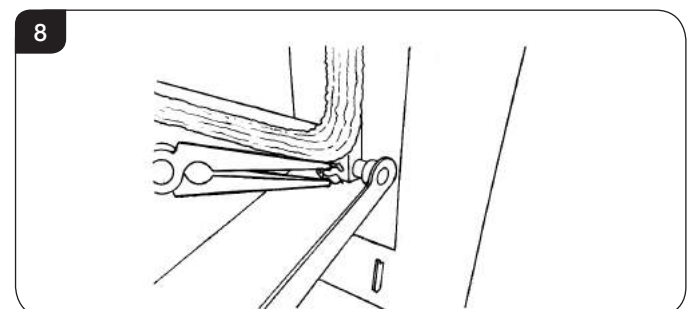
## Gas Installation

The appliance is supplied with an Inlet Extension Pipe to aid installation from the appliance to the gas supply pipe.

- 2.11 To open the glass door, use the hexagon key provided:
- 2.12 Release the window locks moving each from shut to open towards the outer edge of the glass door, see Diagram 7.



- 2.13 With the door lowered remove the spring clip from the right-hand hinge pin, see Diagram 8.

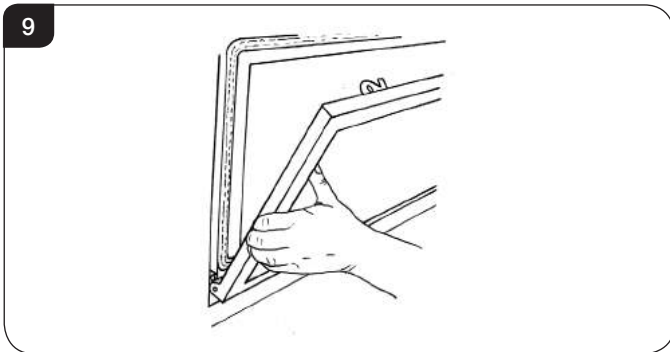


- 2.14 Raise the door to almost upright and move the door to the left. This releases the left-hand side off its hinge pin.

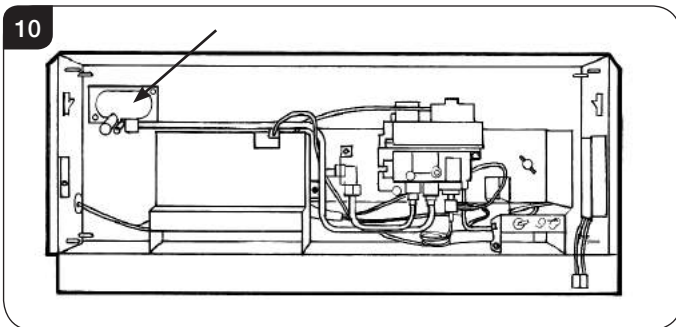


# Installation Instructions

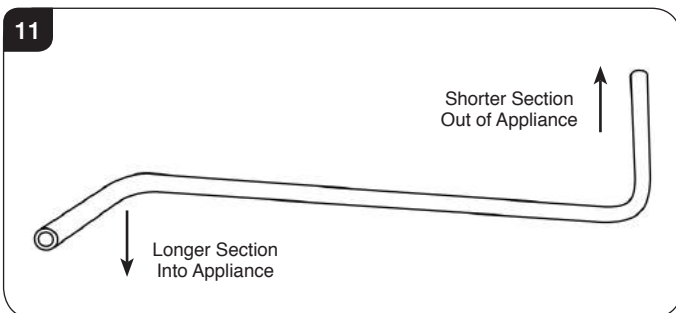
- 2.15 Lower the left-hand side of the door to clear the pin and move the door to the right to release it from the right pin. The door is now free to remove, see Diagram 9.



- 2.16 Remove the box from the appliance and store safely as it contains the remote control and fuel effects, etc.
- 2.17 Remove the liners, burner and splitter plate, referring to Servicing Instructions, Replacing Parts.
- 2.18 The gas supply enters the appliance through a silicone panel on the floor under the access panel, see Diagram 10.

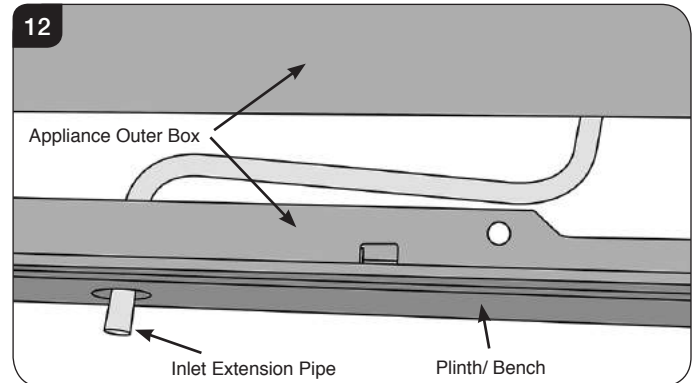


- 2.19 Slit the silicone panel with a sharp knife.
- 2.20 The Inlet Extension Pipe needs to be fitted in the correct orientation, see Diagram 11.

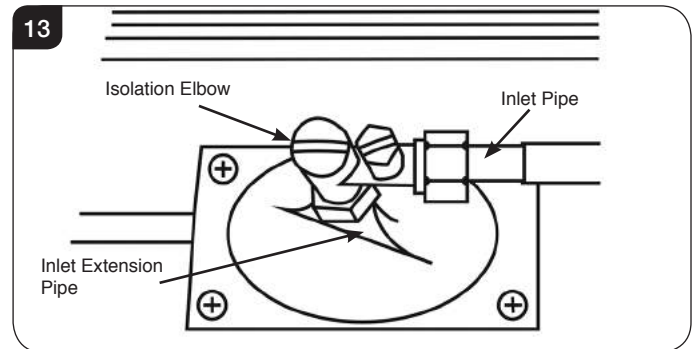


- 2.21 Remove the isolation elbow from the appliance and connect to the longer section of the Inlet Extension Pipe.
- 2.22 Feed the shorter section of the Inlet Extension Pipe through the silicone panel inside the firebox.

- 2.23 Using the gap at the rear of the outer box for access, guide the Inlet Extension Pipe through the hole in the back of the Bench or Plinth, see Diagram 12.



- 2.24 Inside the firebox, connect the isolation elbow to the appliance gas inlet pipe, under the access panel.



- 2.25 At the rear of the appliance, fit the supplied 8mm elbow to the Inlet Extension Pipe.

**WARNING: THIS APPLIANCE IS HEAVY.**

**USE CAUTION WHEN INSTALLING, REMOVING AND STORING AS THE APPLIANCE IS HEAVY AND SHOULD BE HANDLED CAREFULLY.**

**AT LEAST TWO PEOPLE WILL BE REQUIRED TO INSTALL THIS APPLIANCE.**

- 2.26 Carefully lift the appliance into position. **Take care not to damage the floor finish.**

Ensure all clearances to combustibles are observed, see Site Requirements, Section 5.

- 2.27 Connect the flue system.
- 2.28 Connect the gas supply to the gas Inlet pipe at the back of the appliance.

# Installation Instructions

## 3. Gas Soundness Pressure Check

- 3.1 **PURGE THE SUPPLY PIPE.** This is essential to expel any debris that may block the gas controls.
- 3.2 Connect a suitable pressure gauge to the test point located on the inlet fitting.
- 3.3 Turn on the gas.  
**The burner must be temporarily fitted whilst completing this procedure.**
- 3.4 Light the appliance and check for leaks.
- 3.5 Turn the appliance to maximum and check that the supply pressure is as stated on the data badge.
- 3.6 Turn off the gas and replace the test point screw.
- 3.7 Turn the gas back on and check the test point for leaks.
- 3.8 Replace the splitter plate and burner.

## 4. Assembling the appliance

- 4.1 The Studio appliances have the option of 3 different liner finishes:

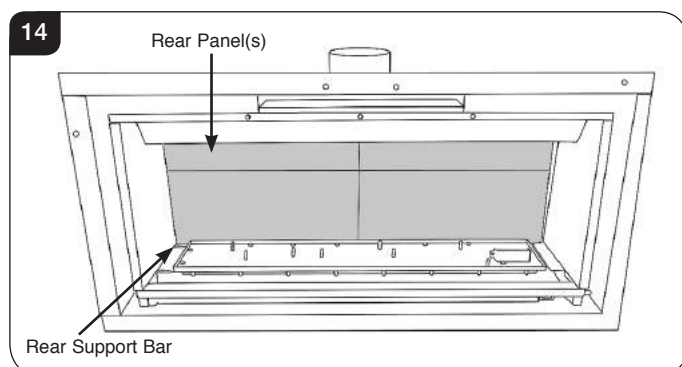
Vermiculite  
Black Reeded Panels  
Black Glass Linings

### Vermiculite & Black Reeded

**NOTE: ALL FRONT PANELS ARE IN TWO PIECES.**

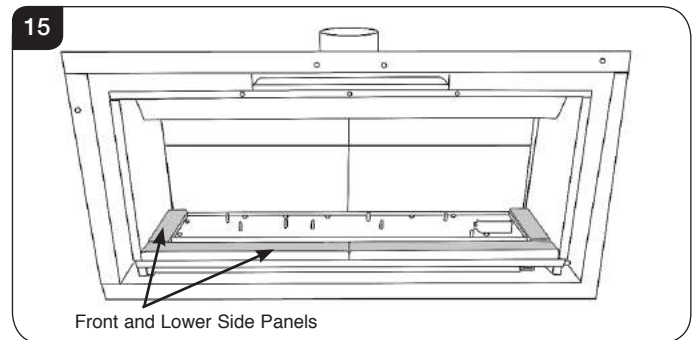
**HOLD THE REAR PANELS UNTIL ALL THE OTHER PANELS ARE IN PLACE AS THEY CAN FALL FORWARD.**

- 4.2 Place the rear panel(s) behind the locating bracket on the rear support bar.
- 4.3 Centralise the rear panel(s) with the chamfers touching and pushed together, see Diagram 14.

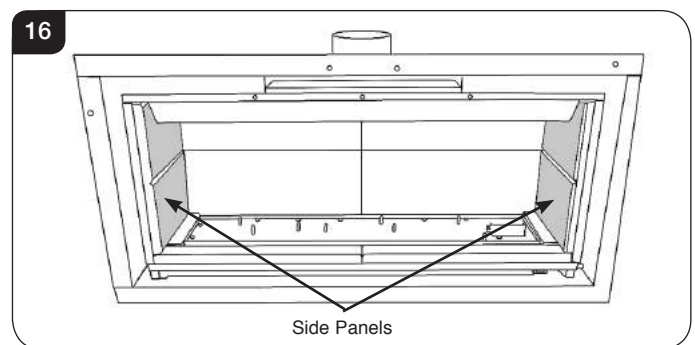


- 4.4 Place the lower side and front panels in position so the chamfers meet at the front edge of the burner.

- 4.5 Ensure the 2-piece front panels are engaged against the centre support tags on the burner and are pushed together in the middle, see Diagram 15.



- 4.6 Slide the 2 side panels up to the rear panel, see Diagram 16.



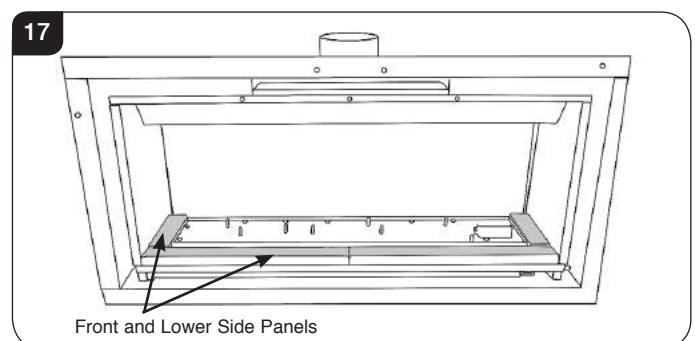
**NOTE: THE HORIZONTAL CHAMFERS MUST ALIGN ON THE REAR AND SIDE PIECES.**

### Black Glass

**NOTE: ALL REAR PANELS ARE ONE PIECE.**

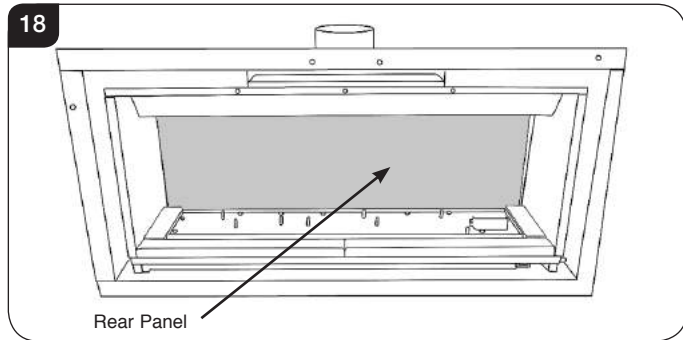
**HOLD THE REAR PANEL UNTIL ALL THE OTHER PANELS ARE IN PLACE AS THEY CAN FALL FORWARD.**

- 4.7 Place the lower side and front panels in position so the chamfers meet at the front edge of the burner.
- 4.8 Ensure the 2-piece front panels are engaged against the centre support tags on the burner and are pushed together in the middle, see Diagram 17.

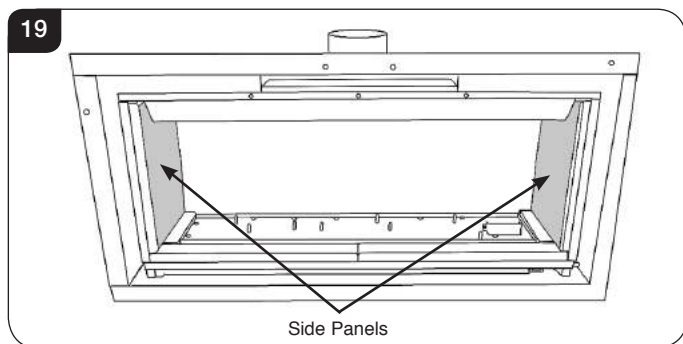


# Installation Instructions

4.9 Fit and centralise the rear panel, see Diagram 18.



4.10 Slide the 2 side panels up to the rear panel, see Diagram 19.



## 5. Arrangement of the fuel bed

### Advice on handling and disposal of fire ceramics



The fuel effect of the log version of this appliance is made from Refractory Ceramic Fibre (RCF), a material which is commonly used for this application.

Protective clothing is not required when handling these articles, but we recommend you follow normal hygiene rules of not smoking, eating or drinking in the work area and always wash your hands before eating or drinking.

To ensure that the release of RCF fibres are kept to a minimum, during installation and servicing a HEPA filtered vacuum is recommended to remove any dust accumulated in and around the appliance before and after working on it. When servicing the appliance it is recommended that the replaced items are not broken up, but are sealed within heavy duty polythene bags and labelled as RCF waste.

RCF waste is classed as stable, non-reactive hazardous waste and may be disposed of at a licensed landfill site.

Excessive exposure to these materials may cause temporary irritation to eyes, skin and respiratory tract; wash hands thoroughly after handling the material.

5.1 **White Stone Effect:** To replace the white stone effect, make sure they are flattened so they are level with the rim of the tray.

5.2 **Lava Rock for Log & Driftwood Log Layout:** Use the entire bag of supplied Lava Rock.

**TAKE CARE NOT TO SPILL THE EFFECT INTO THE PILOT AREA.**

**STACK STONES EFFECT IN FRONT OF THE PILOT SHIELD TO OBSCURE THE BLACK METAL SHIELD.**

**ONLY GENUINE GAZCO PARTS CAN BE USED IN THIS APPLIANCE.**

# Installation Instructions

## 6. Pebble & Stone Layout

**PEBBLES & STONES MUST BE POSITIONED ACCORDING TO THE FOLLOWING INSTRUCTIONS TO GIVE THE CORRECT FLAME EFFECT.**

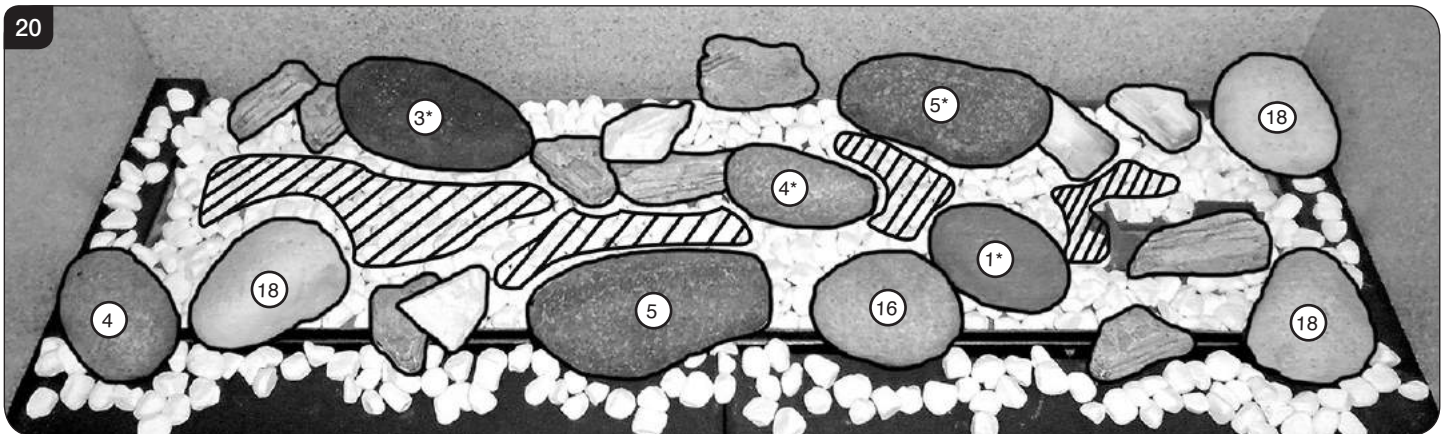
### Layout for Studio 1

All pebbles can be identified by a number (ranging 1 - 18) on their underside. Pebbles 1, 3, 4, 5 & 12 have holes which locate onto a burner stud (please note that the Studio 1 does not have Pebble 12).

- 6.1 Evenly spread the white stones over the fuel bed.
- 6.2 Position Pebbles 3\*, 4\*, 5\* & 1\* on to the locating studs in the burner tray.  
NOTE: Pebble 4 on the front left corner of the burner tray and Pebble 5 on the front edge do not have a locating stud.

Once in position, place the remaining pebbles and embers in the below order, see Diagram 20.

Spread a liberal amount of the Embaglow fibres provided on the sections highlighted - Ensure the material is placed loosely to create a random glow.



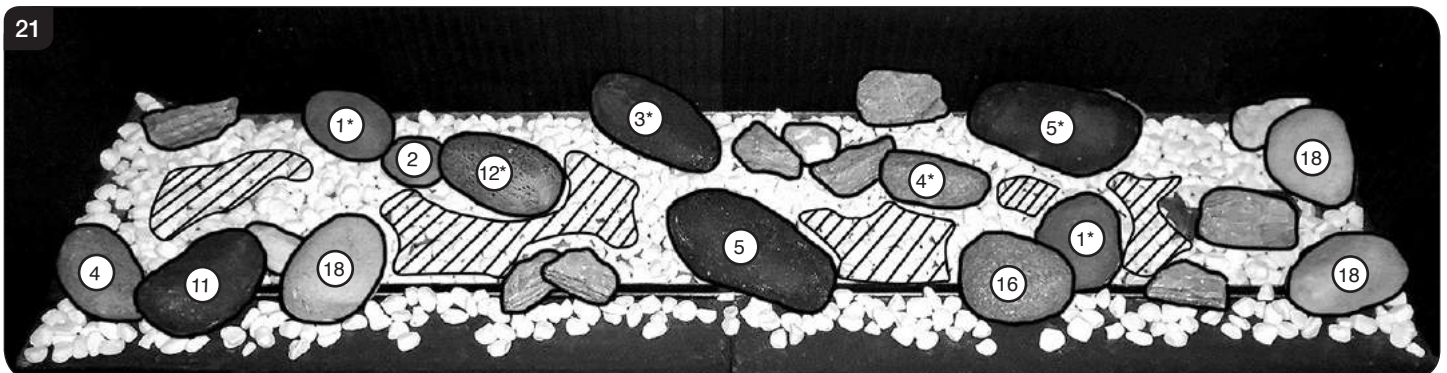
### Layout for Studio 2

All pebbles can be identified by a number (ranging 1 - 18) on their underside. Pebbles 1, 3, 4, 5 & 12 have holes which locate onto a burner stud.

- 6.3 Evenly spread the white stones over the fuel bed.
- 6.4 Position Pebbles 1\*, 12\*, 3\*, 4\*, 5\* & 1\* on to the locating studs in the burner tray.  
NOTE: Pebble 4 on the front left corner of the burner tray and Pebble 5 on the front edge do not have a locating stud.

Once in position, place the remaining pebbles and embers in the below order, see Diagram 21.

Spread a liberal amount of the Embaglow fibres provided on the sections highlighted - Ensure the material is placed loosely to create a random glow.





# Installation Instructions

## 7. Log Layout

**LOGS MUST BE POSITIONED ACCORDING TO THE FOLLOWING INSTRUCTIONS TO GIVE THE CORRECT FLAME EFFECT. THERE ARE TWO LOG SETS - AUTHENTIC LOG AND DRIFTWOOD. EACH SET IS FITTED USING THE SAME METHOD.**

### Layout for Studio 1

All logs can be identified by a letter (A - H) on their underside. Logs C and B have holes to locate each onto a burner stud (please note that the Studio 1 does not have Logs G, E, or F).

- 7.1 Position log B on the left hand side of the burner tray, locating onto the middle and back left studs.

Cover the remainder of the tray in lava rock, see Diagram 22.

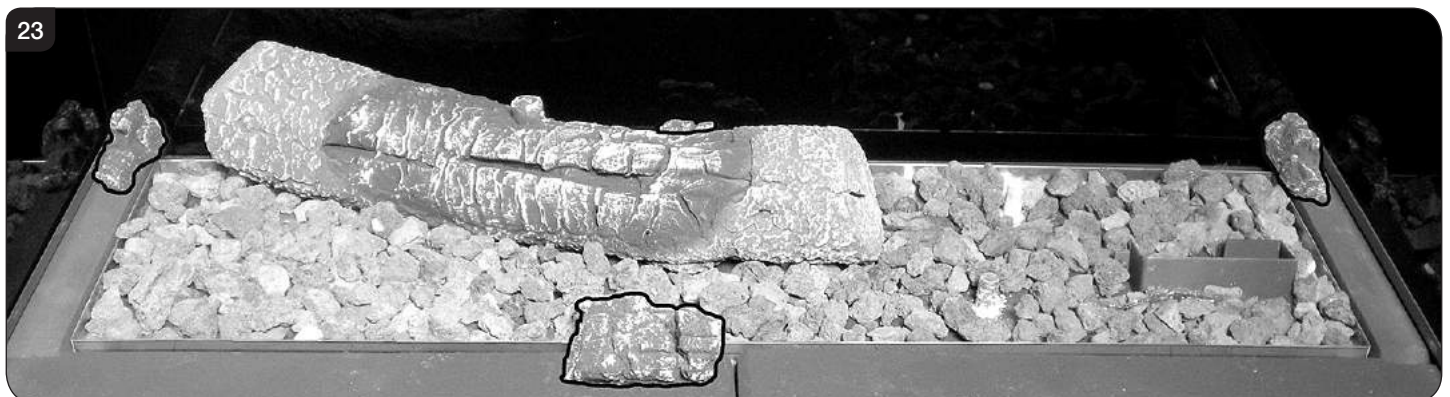
**Take care not to spill the lava rock into the pilot area and the air gaps at the front and rear of the burner tray.**



The Studio 1 comes with 5 embers in total, 4 small and 1 large.

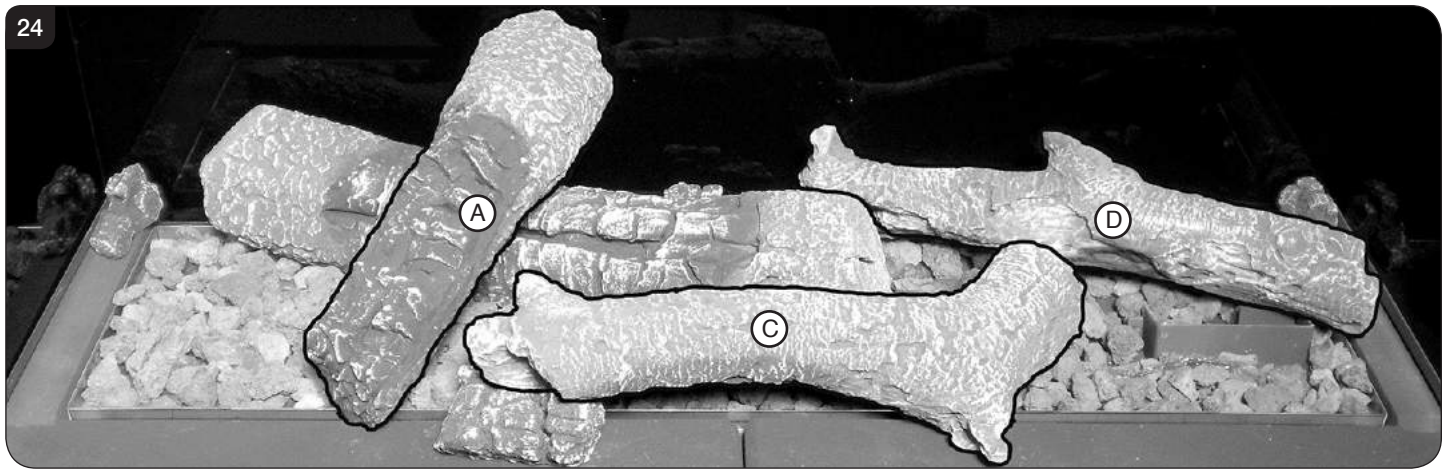
- 7.2 Position the 2 small embers in the left and right back corners, followed by 1 ember in the back centre of the appliance (behind Log B) and one in the front, slightly off-centre, see Diagram 23.

The final ember is placed after all the logs are in position.



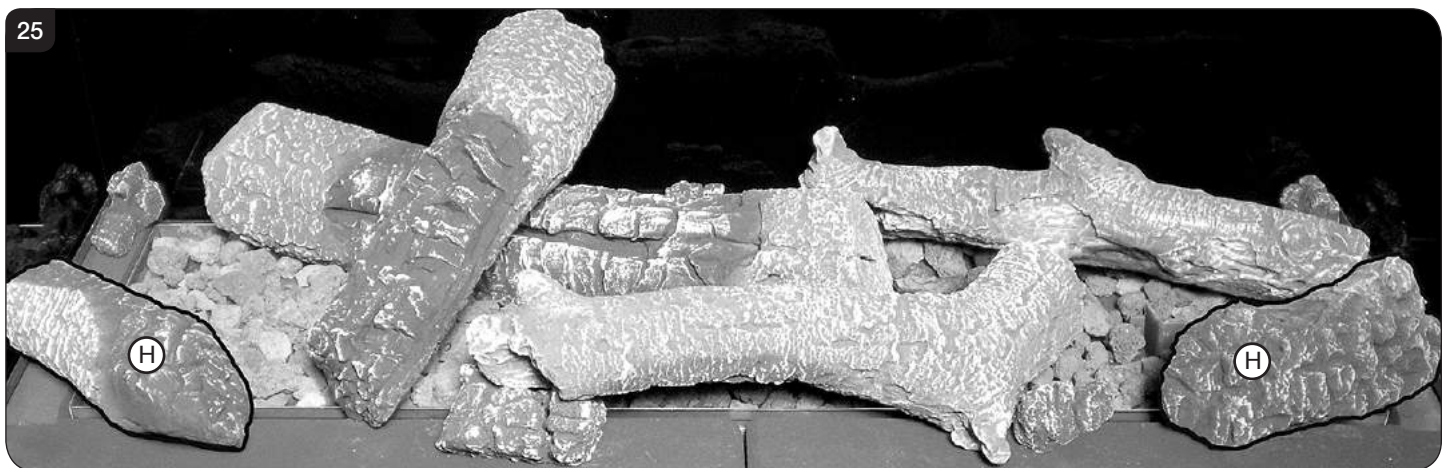
# Installation Instructions

- 7.3 Log D is positioned in the rear right hand side of the burner tray, and rests on the Pilot Shield, see Diagram 24.  
Log C Locates on the front right stud, and rests on the front ember, see Diagram 24.  
Log A rests across Log B, and touches the rear panel, see Diagram 24.



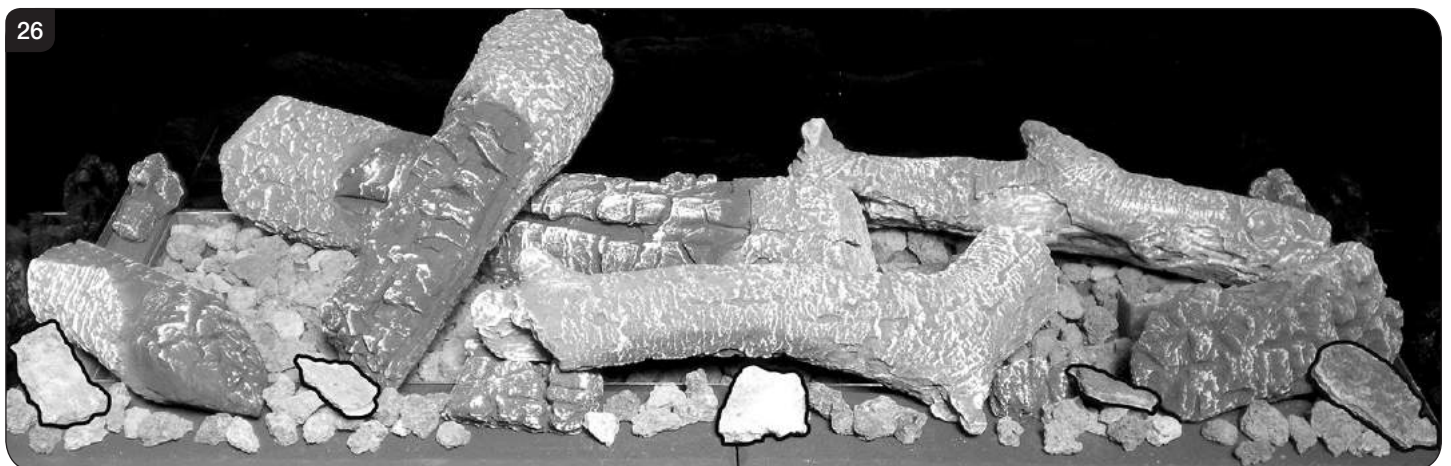
There are 2 Log H's, which are positioned on the front corners of the burner tray.

- 7.4 The left Log H is positioned with the charring facing in to the firebox, and the right is positioned with the charring facing out. Once in position the final ember can be placed between Log C and the right hand Log H, see Diagram 25.



- 7.5 Once all the logs are in place, spread the remaining lava rock across the front and side liners, see Diagram 26.  
**Take care not to spill the lava rock into the pilot area and the air gaps at the front and rear of the burner tray.**

- 7.6 Break the pieces of slate into 2 pieces and spread randomly across the front liner, see Diagram 26.

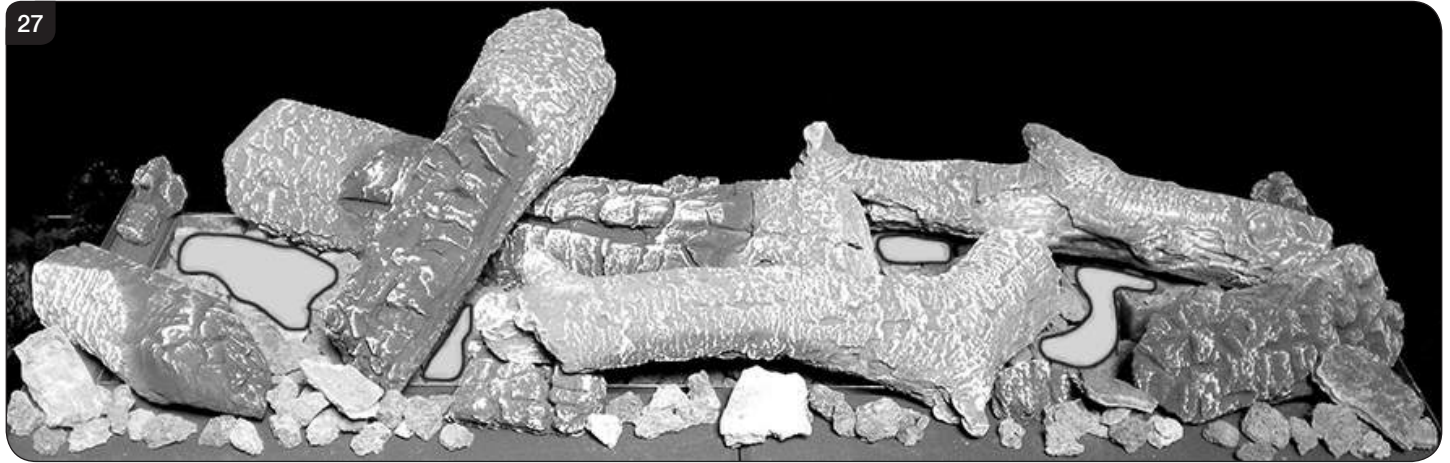




# Installation Instructions

Separate the Embaglow material into smaller pieces and pull into shape to create a fine layer.

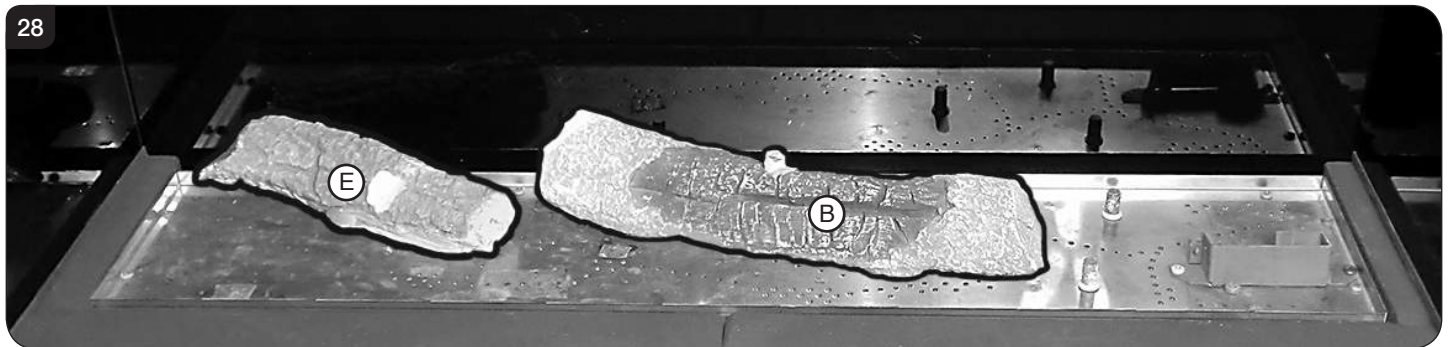
- 7.7 Place pieces of Embaglow between the logs in the highlighted areas shown in Diagram 27. Ensure the material is placed to create a random glow.



## Layout for Studio 2

All logs can be identified by a letter (A - H) on their underside. Logs, C, E and B, also have holes to locate onto a burner stud.

- 7.8 Log E locates onto the 2 left hand pins towards the rear of the burner tray, see Diagram 28.  
7.9 Log B locates onto the 2 central pins see Diagram 28.



- 7.10 Once in place, spread the lava rock around the burner tray.  
**Take care not to spill the lava rock into the pilot area and the air gaps at the front and rear of the burner tray.**

The Studio 2 comes with 6 embers in total, 5 small and 1 large.

- 7.11 Position 2 small embers in each back corner. The third small ember fits against the back liner, between Logs E and B. The fourth is positioned behind the right hand side of Log B. The large ember is positioned in the middle front of the burner tray, see Diagram 29.

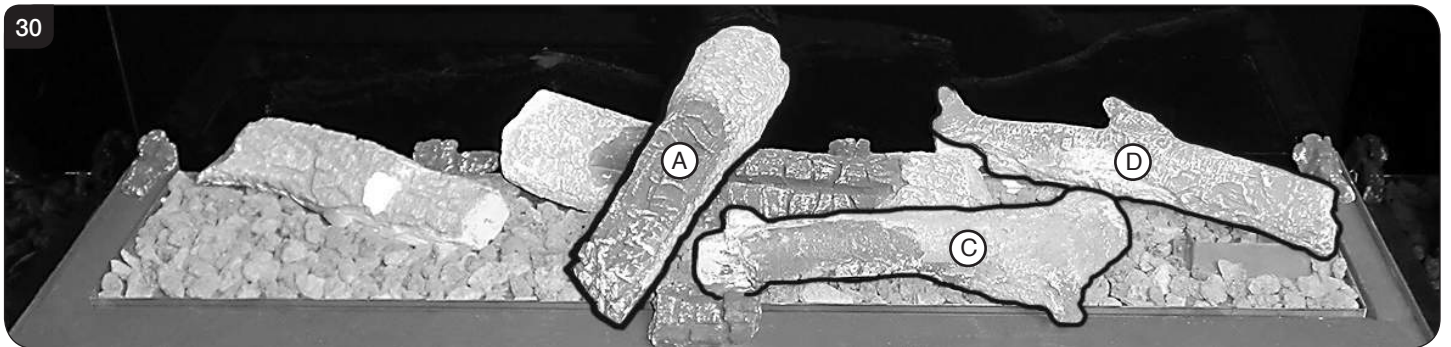
Please note that the final ember is placed after all the logs are in position.





# Installation Instructions

- 7.12 Log D is positioned on the right pin to the rear of the burner tray, and rests on the pilot shield, see Diagram 30.  
Log C locates onto the front right pin and rests on the large ember, see Diagram 30.  
Log A fits onto the stud in Log B and extends to the front liner, see Diagram 30.



- 7.13 Log F is positioned in the grooves in Log E and B, and rests on the front liner, see Diagram 31.  
There are 2 Log H's, which are positioned on the front liner. The right hand Log H must be placed with the charred side facing out, and the left Log H with the charred side facing in, see Diagram 31.



- 7.14 Log G sits on the left hand and front liner. Once in place the final ember can be positioned to the right of Log C, see Diagram 32.



- 7.15 Once all the logs are in place, spread the remaining lava rock across the front and side liners, see Diagram 33.  
**Take care not to spill the lava rock into the pilot area and the air gaps at the front and rear of the burner tray.**

- 7.16 Break the pieces of slate into 2 pieces and spread randomly across the front liner, see Diagram 33.



# Installation Instructions

Separate the Embaglow material into smaller pieces and pull into shape to create a fine layer.

- 7.17 Place the pieces of Embaglow between the logs in the highlighted areas shown in Diagram 34. Ensure the material is placed loosely between the logs to create a random glow.



## 8. Driftwood Layout

**LOGS MUST BE POSITIONED ACCORDING TO THE FOLLOWING INSTRUCTIONS TO GIVE THE CORRECT FLAME EFFECT.**

**THERE ARE TWO LOG SETS - AUTHENTIC LOG AND DRIFTWOOD. EACH SET IS FITTED USING THE SAME METHOD.**

### Layout for Studio 1

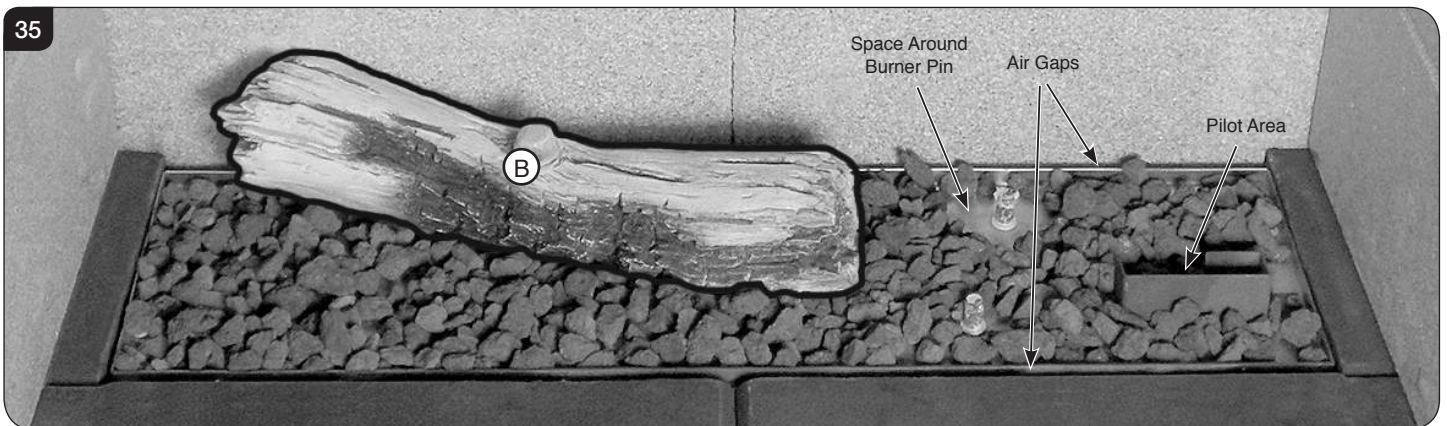
All logs can be identified by a letter (A - H & L) on their underside. Logs C and B have holes to locate each onto a burner stud (please note that the Studio 1 does not have Logs G, E, or F).

- 8.1 Position log B on the left hand side of the burner tray, locating onto the middle and back left studs.

Cover the remainder of the tray in lava rock, see Diagram 35.

**Take care not to spill the lava rock into the pilot area and the air gaps at the front and rear of the burner tray.**

Leave the space around the right hand burner pin free from lava rocks for positioning the next log, see Diagram 35.





# Installation Instructions

# Installation Instructions

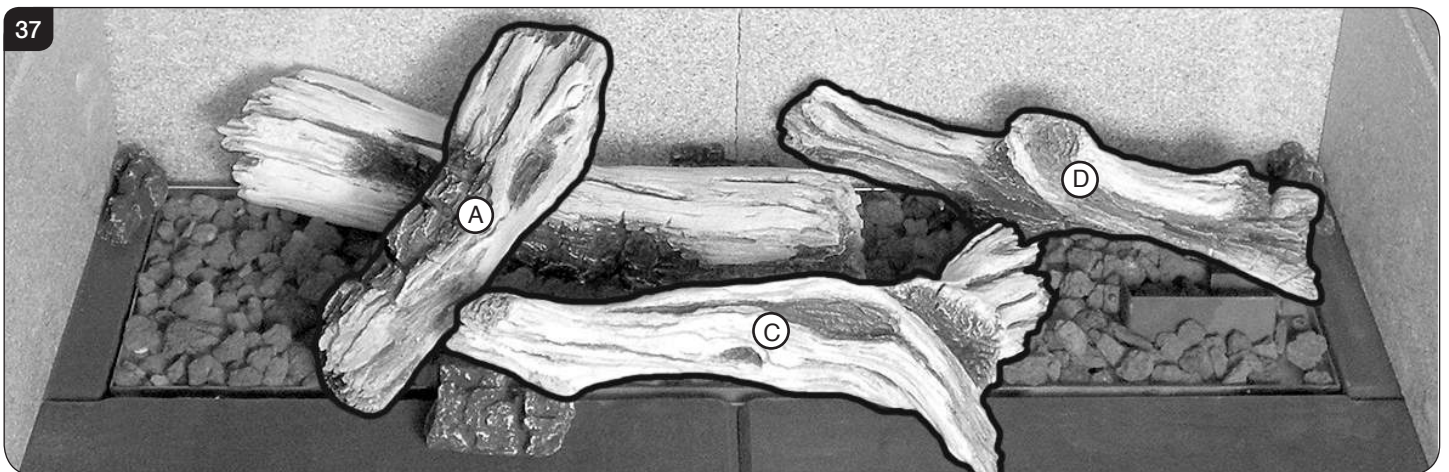
The Studio 1 comes with 6 embers in total, 5 small and 1 large.

- 8.2 Position 2 small embers in the left and right back corners, followed by 1 ember in the back centre of the appliance (behind Log B) and 1 in the front, slightly off-centre, see Diagram 36.

Please note that the final embers are placed after all the logs are in position.



- 8.3 Log D is positioned in the rear right hand side of the burner tray, and rests on the Pilot Shield, see Diagram 37.  
**Ensure the log rests on the burner tray and not lava rocks.**  
 Log C Locates on the front right stud, and rests on the front ember, see Diagram 37.  
 Log A fits onto the stud in Log B and extends to the front liner, see Diagram 37.



- 8.4 Log H sits across the right hand and front liners, with the charred side facing out, see Diagram 38.  
 Log L sits across the left hand and front liners, with the charring facing left, see Diagram 38.  
 Once all the logs are in place the remaining 2 small embers can be positioned on the front liner.
- 8.5 Position the first small ember between Log C and Log H on the front liner and the second small ember in front of Log C, see Diagram 38.





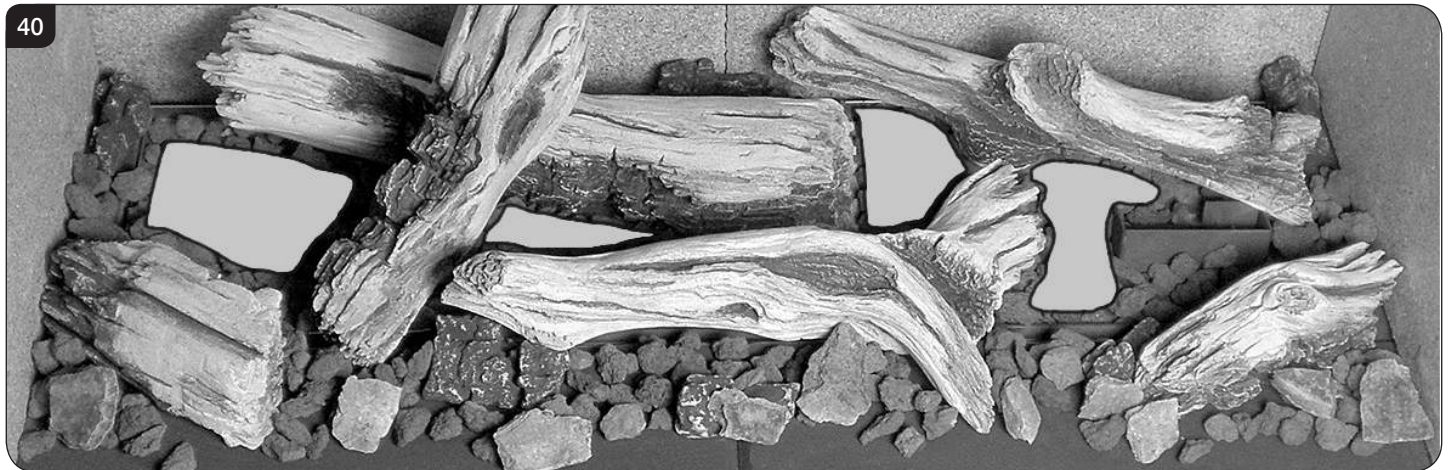
# Installation Instructions

- 8.6 Once all the logs are in place, spread the remaining lava rock across the front and side liners, see Diagram 39.  
**Take care not to spill the lava rock into the pilot area and the air gaps at the front and rear of the burner tray.**
- 8.7 Break the pieces of slate into 2 pieces and spread randomly across the front liner, see Diagram 39.



Separate the Embaglow material into smaller pieces and pull into shape to create a fine layer.

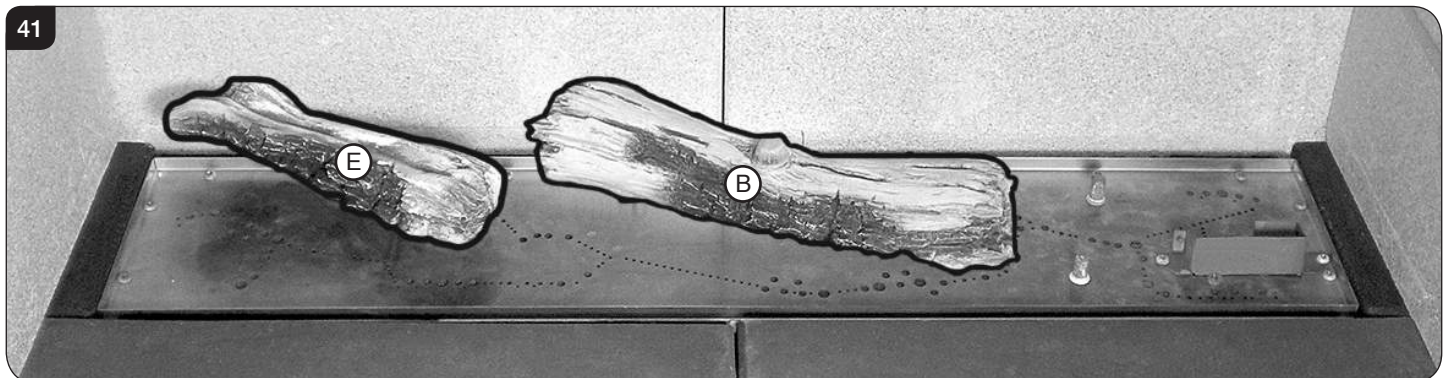
- 8.8 Place pieces of Embaglow between the logs in the highlighted areas shown in Diagram 40. Ensure the material is placed to create a random glow.



## Layout for Studio 2

All logs can be identified by a letter (A - H & L) on their underside. Logs, C, E and B, also have holes to locate onto a burner stud.

- 8.9 Log E locates onto the 2 left hand pins towards the rear of the burner tray, see Diagram 41.  
Log B locates onto the 2 central pins see Diagram 41.





# Installation Instructions

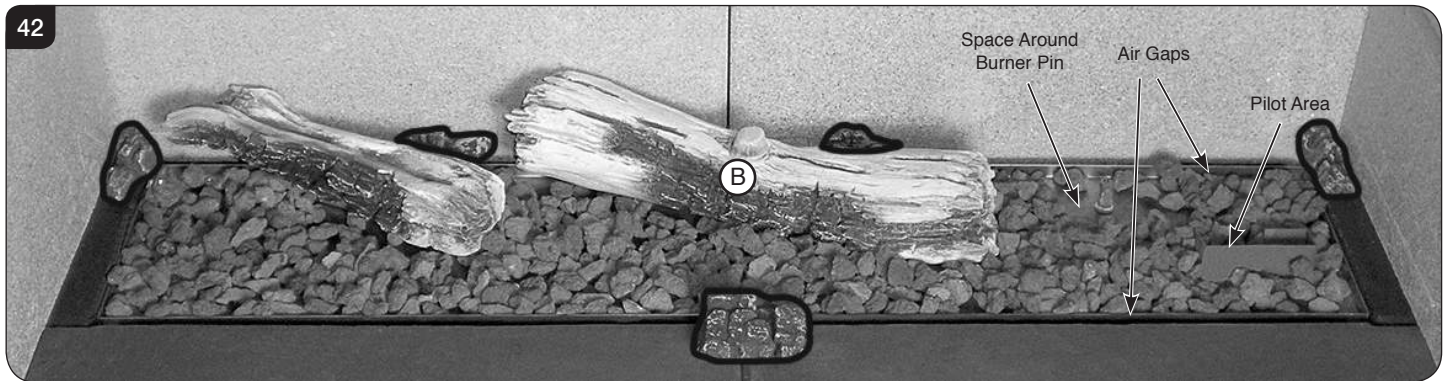
- 8.10 Once in place, spread the lava rock around the burner tray, see Diagram 42.  
**Take care not to spill the lava rock into the pilot area and the air gaps at the front and rear of the burner tray.**

Leave the space around the right hand burner pin free from lava rocks for positioning the next log, see Diagram 42.

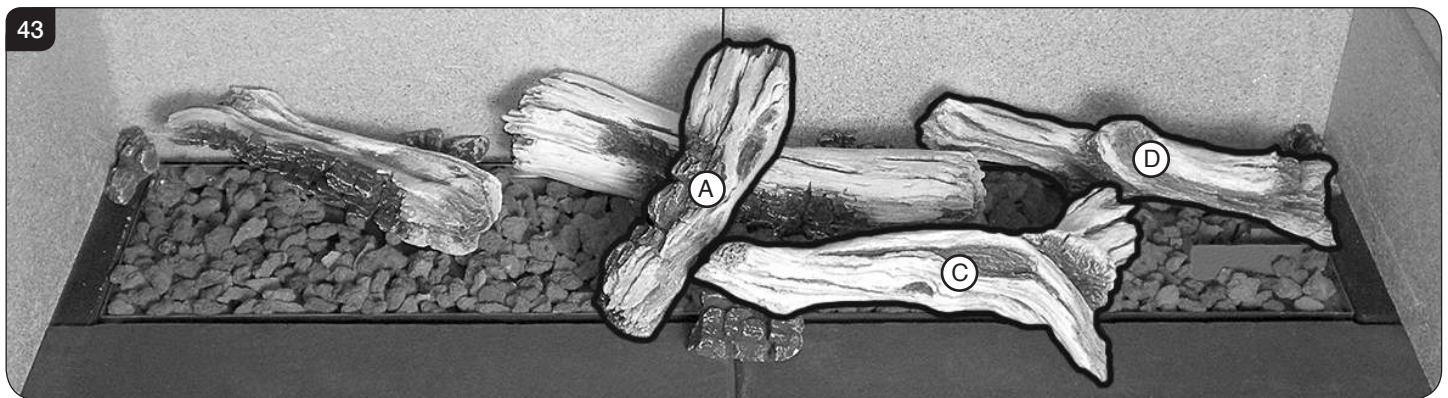
The Studio 2 comes with 7 embers in total. 6 small and 1 large.

- 8.11 Position 2 small embers in each back corner. The third small ember fits against the back liner, between Logs E and B. The fourth is positioned behind the right hand side of Log B. The large ember is positioned in the middle front of the burner tray, see Diagram 42.

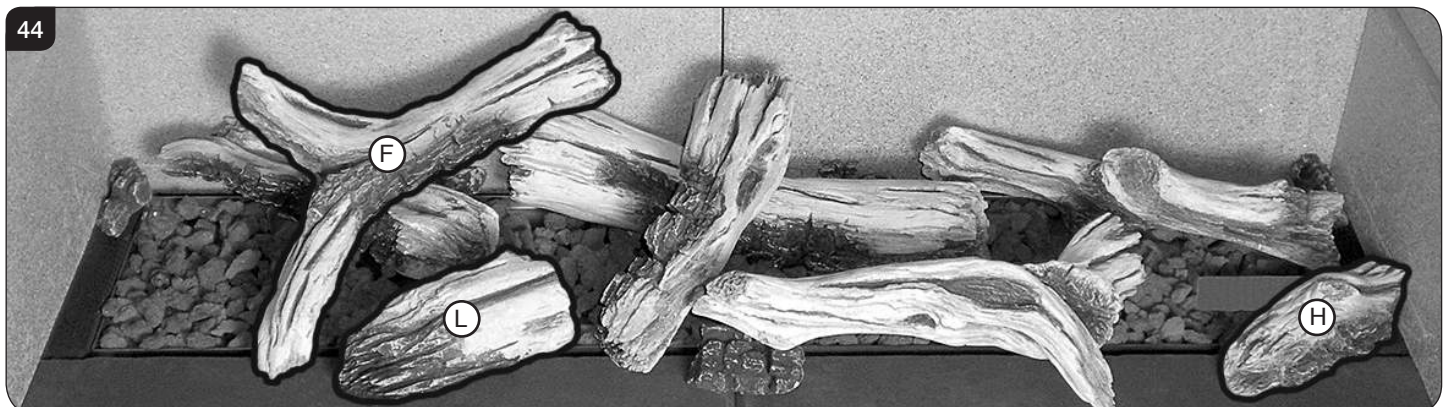
Please note that the final embers are placed after all the logs are in position.



- 8.12 Log D is positioned on the right pin to the rear of the burner tray, and rests on the Pilot Shield, see Diagram 43.  
**Ensure the log rests on the burner tray and not lava rocks.**  
Log C locates onto the front right pin and rests on the large ember, see Diagram 43.  
Log A fits onto the stud in Log B and extends to the front liner, see Diagram 43.



- 8.13 Log F is positioned in the grooves in Log E and B, and rests on the front liner, see Diagram 44.  
Log H sits across the right hand and front liners, with the charred side facing out, see Diagram 44.  
Position Log L on the front liner between Log F and Log A, see Diagram 44.





# Installation Instructions

8.14 Position the left hand side of Log G in the groove of the front air gap with the right hand side resting on Log F, see Diagram 45.

Once all the logs are in place the remaining 2 small embers can be positioned on the front liner.

8.15 Position the first small ember between Log C and Log H on the front liner and the second small ember in front of Log C, see Diagram 45.



8.16 Once all the logs are in place, spread the remaining lava rock across the front and side liners, see Diagram 46.  
**Take care not to spill the lava rock into the pilot area and the air gaps at the front and rear of the burner tray.**

8.17 Break the pieces of slate into 2 pieces and spread randomly across the front liner, see Diagram 46.



Separate the Embaglow material into smaller pieces and pull into shape to create a fine layer.

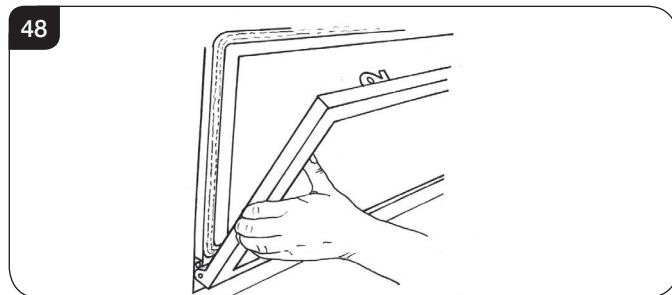
8.18 Place the pieces of Embaglow between the logs in the highlighted areas shown in Diagram 47.  
Ensure the material is placed loosely between the logs to create a random glow.



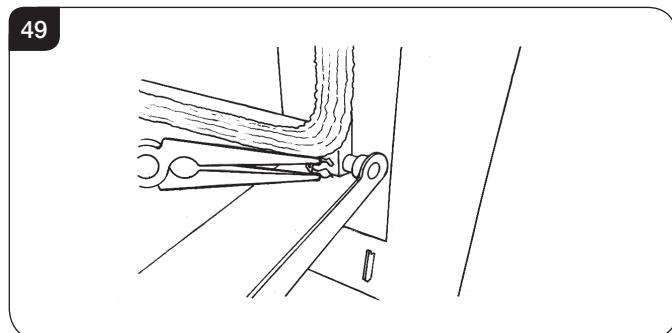
# Installation Instructions

## 9. Completion of Assembly

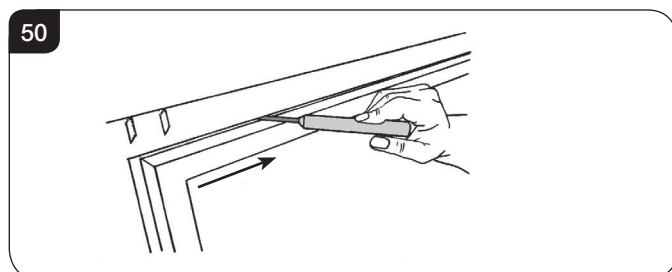
- 9.1 To fit the window frame keep the frame in the upright position with the locks uppermost.
- 9.2 Offer the frame to the foot of the opening.
- 9.3 Slide the frame to the right to locate the right hinge pin.



- 9.4 Manoeuvre the frame up towards the left side to locate the left hinge pin.
- 9.5 Slide onto the hinge with a right movement.
- 9.6 Secure in place with a spring clip at the right hinge pin, see Diagram 50.



- 9.7 Close the window.
- 9.8 Using the hexagon key provided close the window locks by moving from open to shut towards the window centre.



- 9.9 When closing the door ensure the door catches are fully engaged.



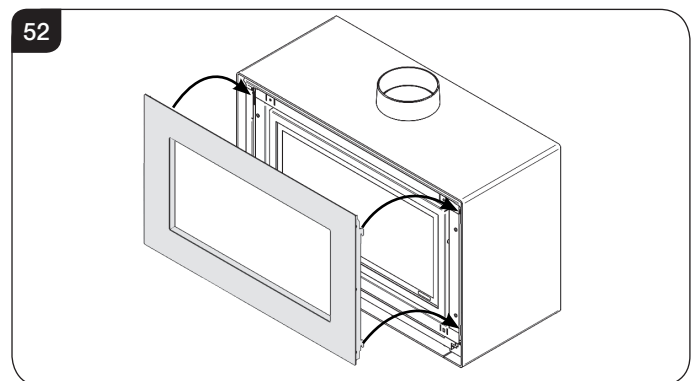
**UNDER NO CIRCUMSTANCES SHOULD THE APPLIANCE BE USED WITHOUT THE CATCHES HOLDING THE DOOR IN PLACE.**

## 10. Decorative Frame

The fitting of the frame requires 2 people.

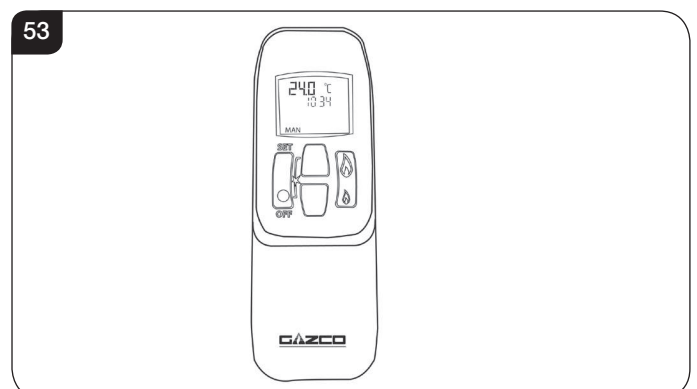
### To attach the frame:

- 10.1 Rest the bottom fixing hooks into the bottom locating slots. Locate the upper frame fixing hooks into the top locating slots and lower into the final position, see Diagram 52.



## 11. Lighting the Appliance

The appliance is operated by thermostatic remote control.



This remote controls the appliance from pilot ignition through to shut down.

In 'MANUAL MODE' you can:

- light the pilot
- turn on the main burner
- regulate the flame from low to high and back
- turn off the burner leaving just the pilot burning

In 'TEMP MODE' you can:

- set the room temperature so the stove automatically maintains that temperature

In 'TIMER MODE' the fire:

- turns on and off according to the set time periods
- automatically regulates the room temperature during the set periods



# Installation Instructions

## 11.1 Turning the appliance On

Your remote can control the gas fire from pilot ignition through to shut down.

To turn the fire on press the OFF button and the UP button simultaneously. You hear several short signals.

**The pilot and main burner ignite and the remote is now in Manual Mode:**

### Turning the appliance Off:

Press the OFF button to turn the appliance off.  
FOR SAFETY, YOU MUST WAIT 30 SECONDS BEFORE LIGHTING THE FIRE AGAIN.



**IMPORTANT: YELLOW FLAMES TYPICALLY APPEAR WHEN THE APPLIANCE HAS REACHED NORMAL OPERATING TEMPERATURE. THIS CAN TAKE UP TO 30 MINUTES.**



**WARNING: IF THE APPLIANCE FAILS TO LIGHT OR BECOMES EXTINGUISHED IN USE, WAIT 3 MINUTES BEFORE ATTEMPTING TO RELIGHT.**

**FOR FULL OPERATING INSTRUCTIONS AND TROUBLESHOOTING SEE USER SECTION.**

## Troubleshooting



**IMPORTANT: In the unlikely event that the handset fails to communicate correctly with the appliance it may be necessary to turn off the gas supply at the isolation valve until any problems can be resolved.**

The gas meter and isolation valve can be located outside in a meter box, under the stairs, beneath the kitchen sink or in the garage. Whilst this list is not exhaustive, it is important to be able to identify the location of the valve in case of any gas emergency.

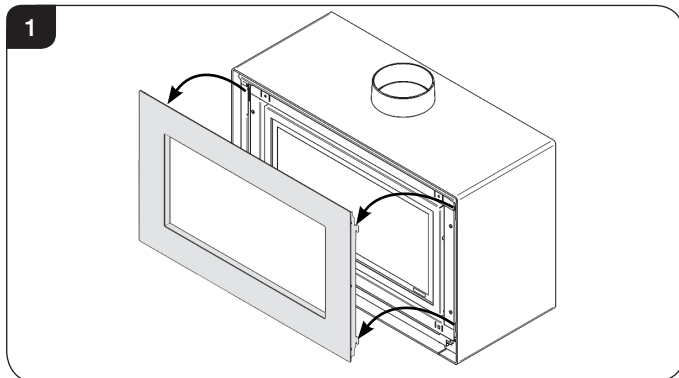
To turn off the gas supply, simply turn the handle so the lever is at 90 degrees to the upright gas pipe.

If you smell gas, open doors and windows and never operate any electrical switches. Immediately call the Gas Emergency Services on 0800 111 999.

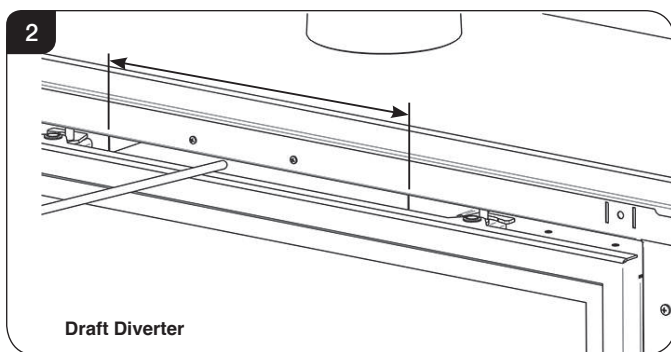
# Commissioning

## 1. Commissioning

- 1.1 Check the flame picture, log/pebble layout.
- 1.2 Check the gas pressure.
- 1.3 Close all door and windows in the room.
- 1.4 Remove the decorative front by lifting to disengage the fixing hooks from the locating slots, see Diagram 1.



- 1.5 Place carefully to one side.
- 1.6 Ignite the appliance and operate on maximum for 5 minutes.
- 1.7 Position a lighted smoke match just inside the draught diverter opening and check all smoke is drawn in along the opening, see Diagram 2.



If there are any extractor fans in the room or adjacent rooms, the test must be repeated with the fans running on maximum.

**IF SPILLAGE PERSISTS, DISCONNECT THE APPLIANCE AND SEEK EXPERT ADVICE.**

If there is any doubt:

- 1.8 Run the appliance for a further 10 minutes and repeat the test.

- 1.9 Complete the Commissioning Checklist at the front of this manual covering:

- Flue checks
- Gas checks
- Log/fuel effect layout - flame picture

For working pressure test, use the access panel at the gas connection ensuring the burner is in position. Refer to Replacement Parts, Section 16.

- 1.10 Upon completion of the commissioning and testing of the installation and correct operation of the appliance, the installer must instruct the user how to operate the appliance.
- 1.11 Guide the user through the User Instructions paying particular attention to:
  - a) Regular servicing (Section 7 of the User Instructions).
  - b) Ventilation (Section 8 of the User Instructions) - point out the ventilation positions where applicable.
  - c) Hot surfaces (Section 10 of the User Instructions).
  - d) How the appliance works with the remote control handset and the modes of operation (Section 2 of the User Instructions).
  - e) How to change settings in the auto mode and program modes of operation.
  - f) What to do if the appliance fails to operate (Section 11 of the User Instructions).

For future reference, record the installation details on the Commissioning Sheet on page 3.

- 1.12 **In the unlikely event that the appliance is receiving interference from other electronic devices, re-programme the handset/Control box.**

### Reprogramming handset/Control box

To access the control box see Servicing Instructions, Section 7 - Main Control Assembly.

- Press and hold the reset button on the control box until you hear two signals. After the second longer signal:
- Release the reset button and within 20 seconds:
- Press the DOWN button on the handset until you hear two additional short signals confirming the new code is set. If there is a single long signal the code learning sequence has failed or the wiring is incorrect.

# Service Instructions

## Servicing/Fault Finding Charts

### 1. Servicing Requirements

**IMPORTANT – The glass panel on this appliance should be checked for any signs of damage on the front face of the glass panel (scratches, scores, cracks or other surface defects). If damage is observed, the glass panel must be replaced and the appliance must not be used until a replacement is installed. Under no circumstances should the appliance be used if any damage is observed. Please isolate the appliance until a replacement glass panel has been obtained and installed. Replacement glass panels can be purchased from Gazco via the retailer from which the appliance was purchased or any other Gazco distributor.**

This appliance must be serviced at least once a year by a competent person.

All tests must be carried out in accordance with the current GasSafe recommendations.

#### 1.1 Before Testing:

- Conduct a gas soundness test for the property ensuring there are no leaks before servicing.
- Check the operation of the appliance before testing.

#### 1.2 Special checks:

- Clean the burner using a vacuum cleaner with a soft brush attachment. Ensure all debris is removed from the burner ports.

- Clean away lint or fluff from the pilot.
- Clean away lint or fluff from under the burner.
- Check the spark gap on the pilot is correct.

1.3 Correct any faults found during the initial test.

1.4 Re-commission the appliance in accordance with Commissioning Procedures of these instructions.

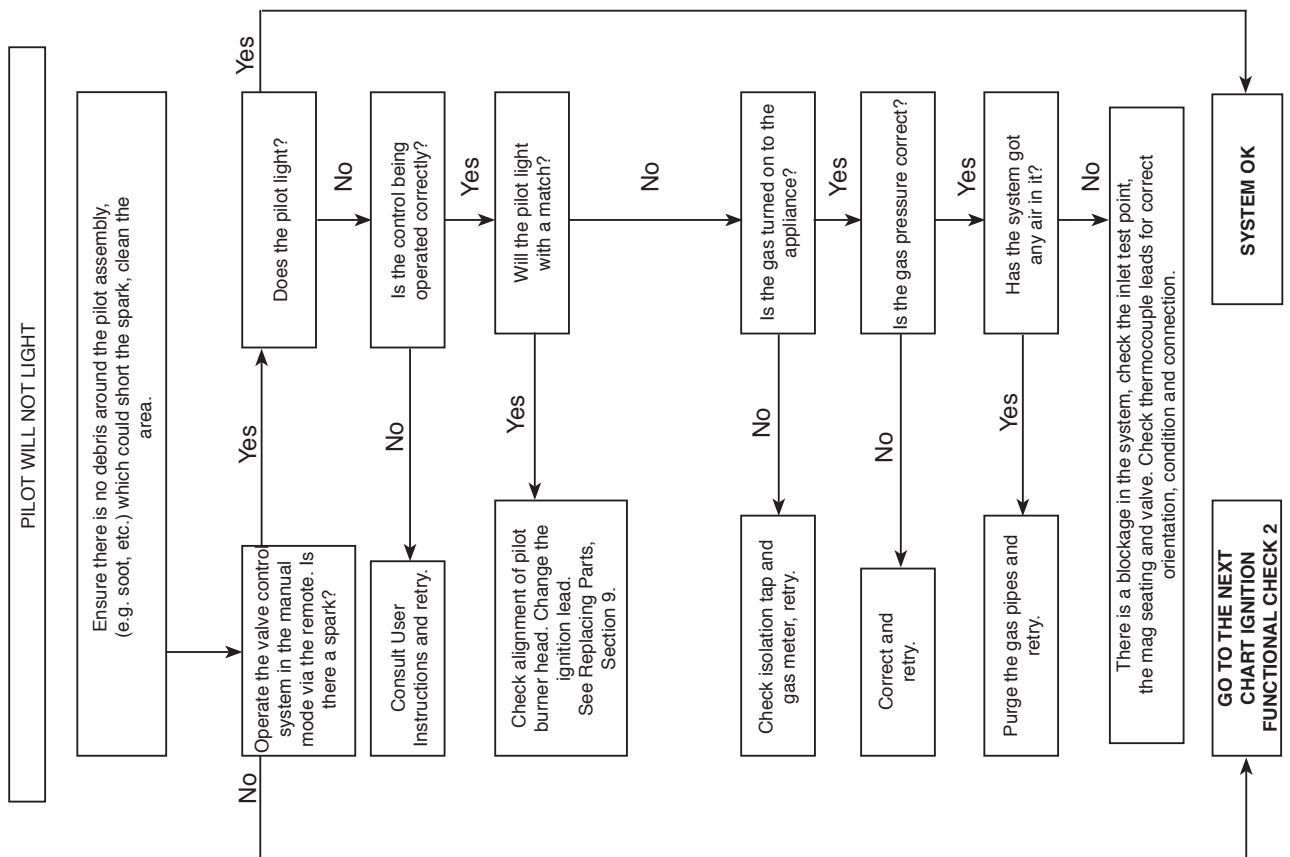
1.5 Advise the customer of any remedial work undertaken.

### REPLACE BATTERIES BEFORE ATTEMPTING TO RECTIFY ANY FAULTS.

#### ELECTRONIC CONTROL VALVE FAULT ANALYSIS

Symptom	Cause	Remedy
Frequent beeps for 3 seconds after operation request	Batteries low in appliance	Replace appliance batteries
No ignition, 5 second continuous tone (there may be several short beeps before)	Loose/damaged wire	Check interrupter block and wires
No ignition, no tone, motor turns slightly when operated	Receiver board damaged	Replace receiver
No pilot flame and control continues to spark	Thermocouple circuit wired incorrectly	Correct wiring
Pilot lights, control continues to spark, valve shuts down after 10 - 30 seconds	1. No spark at pilot burner 2. Loose/damaged wire	1. Rectify spark at pilot burner 2. Check interrupter and wires

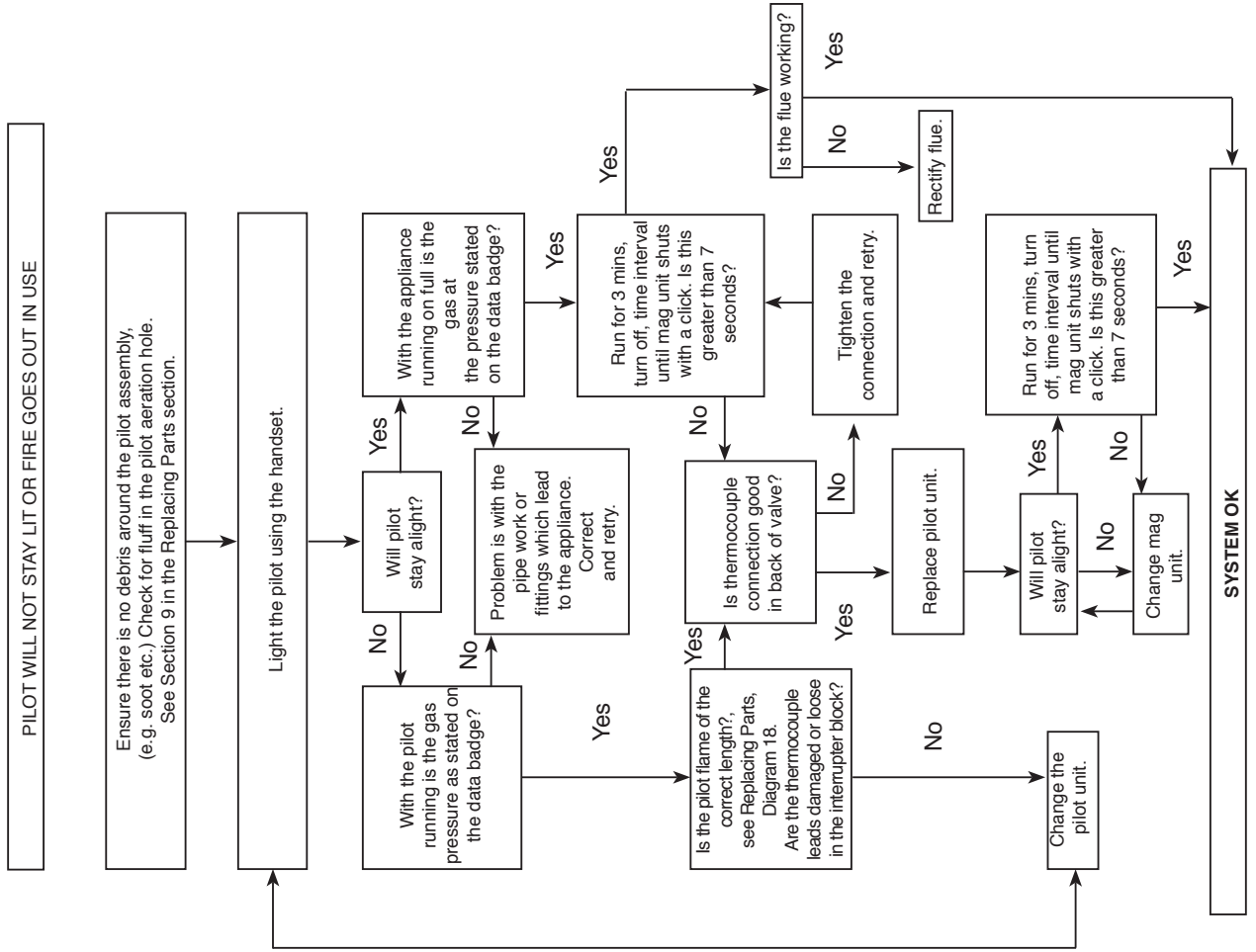
### IGNITION FUNCTIONAL CHECK 1



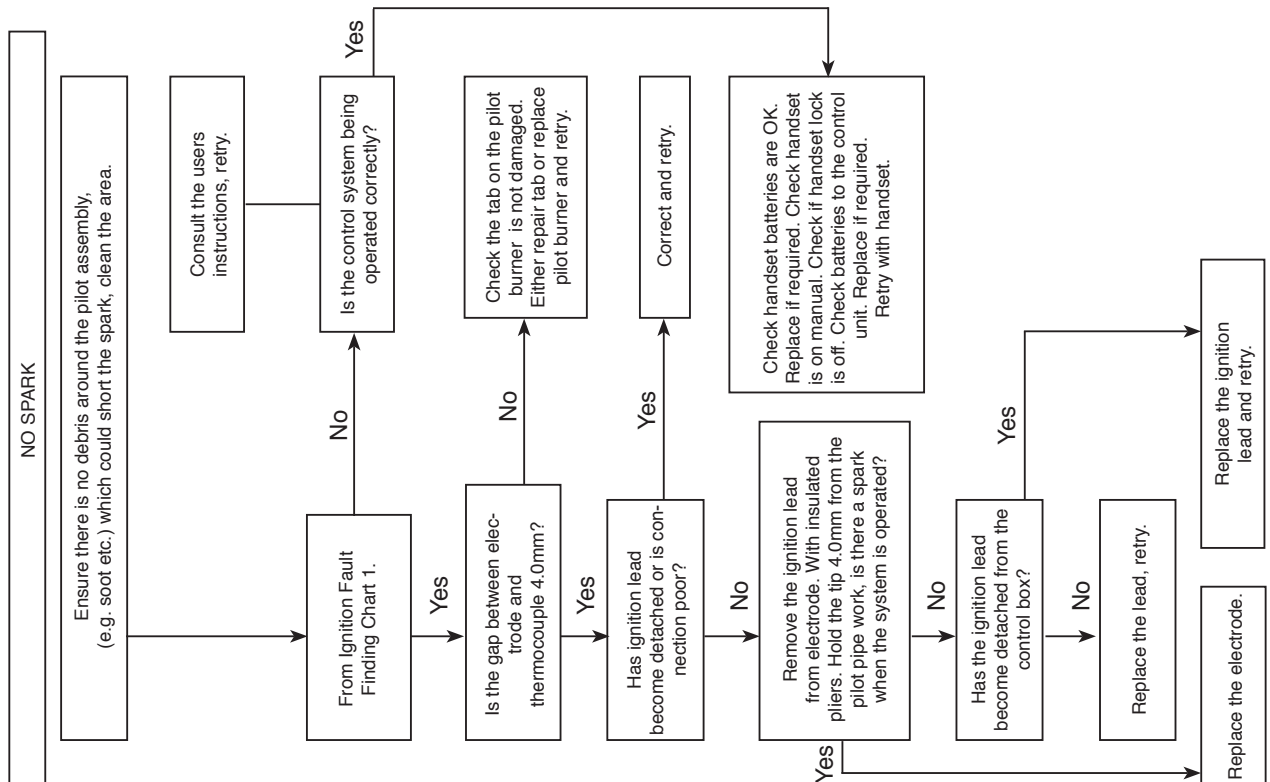
# Servicing Instructions

## Fault Finding Charts

### FLAME FAILURE FUNCTIONAL CHECK 3



### IGNITION FUNCTIONAL CHECK 2



# Servicing Instructions - Replacing Parts

## 1. General

- 1.1 All main components can be replaced without removing the appliance from its installation.

**IT IS ESSENTIAL THAT THE GAS SUPPLY TO THE APPLIANCE IS TURNED OFF AT THE ISOLATION DEVICE BEFORE PROCEEDING FURTHER.**

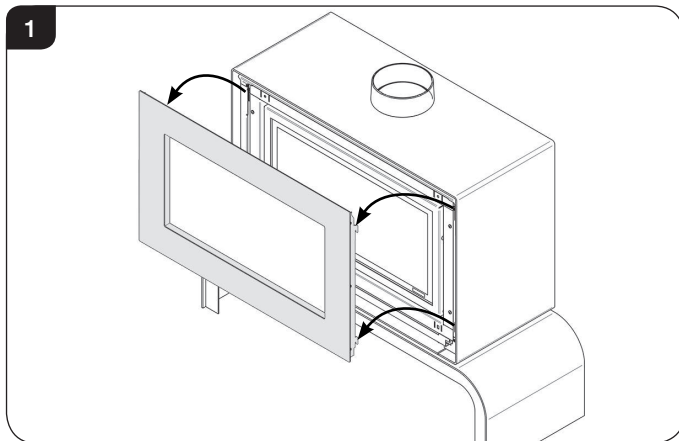
- 1.2 **DISCONNECT BATTERIES BEFORE SERVICING THE APPLIANCE.**

### Removal of Flue

- 1.3 **If, for any reason, the flue has to be removed from the appliance, the seal must be replaced in the inner spigot.**
- 1.4 Access to the controls is restricted and the whole control assembly must be removed as one unit (see Section 7 below).

## 2. Decorative Frame

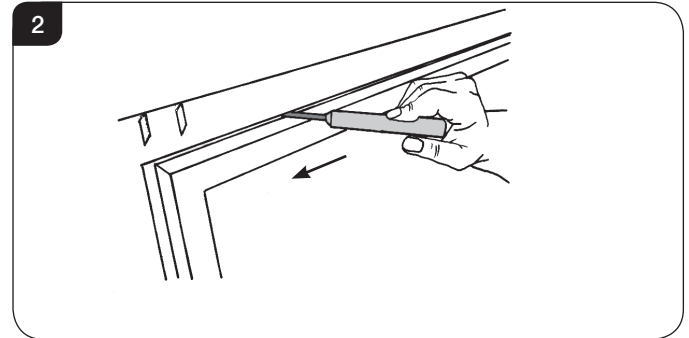
- 2.1 Remove the decorative front by lifting to disengage the fixing hooks from the locating slots, see Diagram 1.



**NOTE: THE STEEL FRAME IS HEAVY. TAKE CARE WHEN LIFTING.**

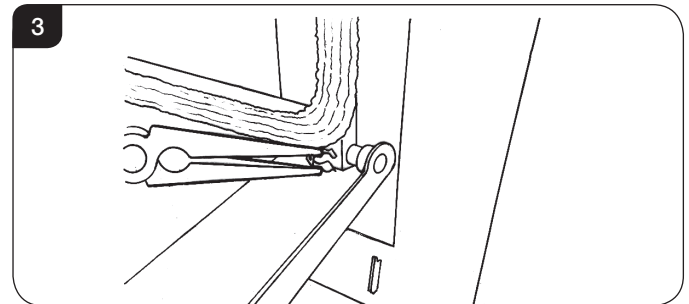
## 3. Window Frame Assembly

- 3.1 To open the glass door use the hexagon key provided.
- 3.2 Release the window locks by moving them from shut to open towards the outer edges, see Diagram 2.

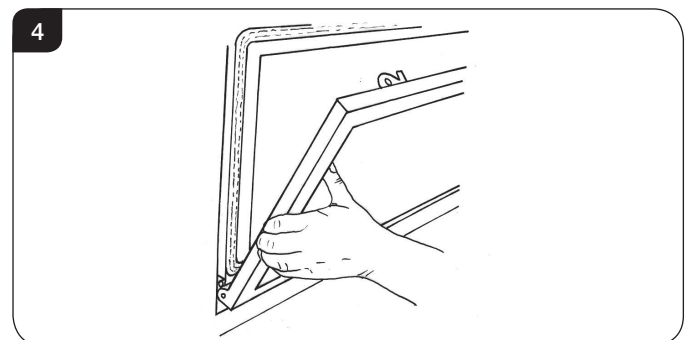


To completely remove the glass front:

- 3.3 Remove the securing spring clip from the bottom-right of the window frame, see Diagram 3.



- 3.4 With the window frame in an upright position slide the frame to the left so that it comes off the left hinge pin.
- 3.5 Still keeping the frame upright drop the left side down and forward slightly, see Diagram 4.



- 3.6 Slide the frame to the right so it comes off the right hinge pin. The window frame should now be free.
- 3.7 Refit in reverse order.
- 3.8 **When closing the door ensure the door catches are fully engaged.**

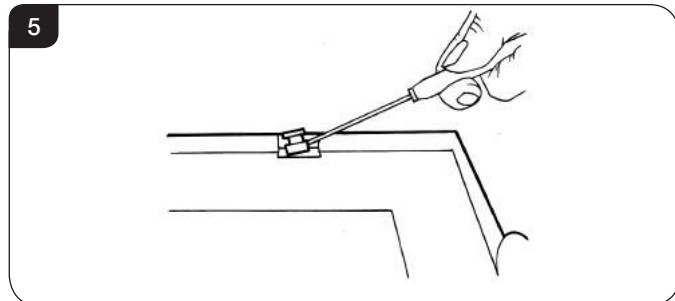


**UNDER NO CIRCUMSTANCES SHOULD THE APPLIANCE BE USED WITHOUT THE CATCHES HOLDING THE DOOR IN PLACE.**

# Servicing Instructions - Replacing Parts

## 4. Glass Window

- 4.1 Remove the 2 clips and brackets from either side of the frame, see Diagram 5.



- 4.2 Lift the glass clear from the lock bracket at the top of the frame and slide out.

## 5. Liners

- 5.1 The Studio appliances have the option of 3 different liner finishes:

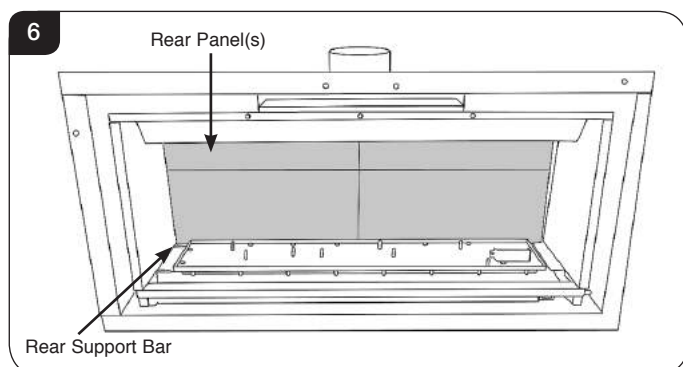
Vermiculite  
Black Reeded Panels  
Black Glass Linings

### Vermiculite & Black Reeded

**NOTE: ALL FRONT PANELS ARE IN TWO PIECES.**

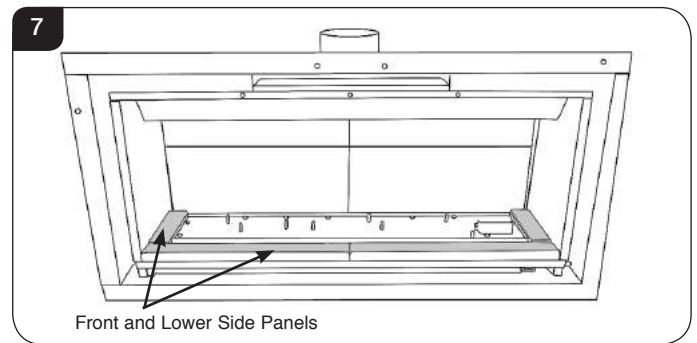
**HOLD THE REAR PANELS UNTIL ALL THE OTHER PANELS ARE IN PLACE AS THEY CAN FALL FORWARD.**

- 5.2 Place the rear panel(s) behind the locating bracket on the rear support bar.
- 5.3 Centralise the rear panel(s) with the chamfers touching and pushed together, see Diagram 6.

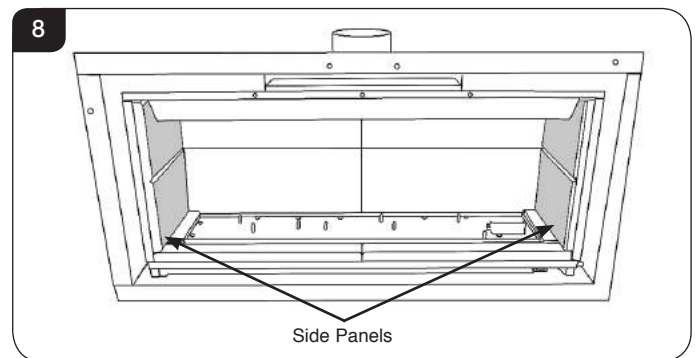


- 5.4 Place the lower side and front panels in position so the chamfers meet at the front edge of the burner.

- 5.5 Ensure the 2-piece front panels are engaged against the centre support tags on the burner and are pushed together in the middle, see Diagram 7.



- 5.6 Slide the 2 side panels up to the rear panel, see Diagram 8.



**NOTE: THE HORIZONTAL CHAMFERS MUST ALIGN ON THE REAR AND SIDE PIECES.**

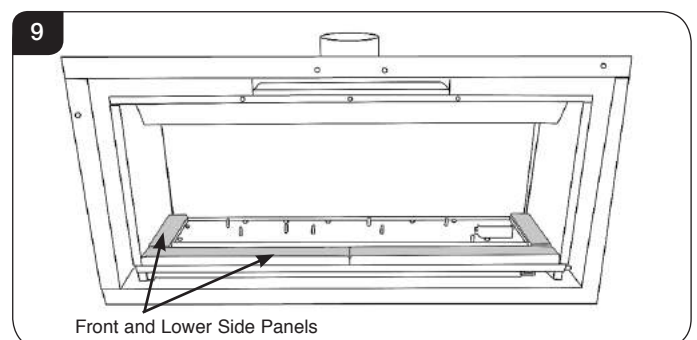
### Black Glass

**NOTE: ALL REAR PANELS ARE ONE PIECE.**

**HOLD THE REAR PANEL UNTIL ALL THE OTHER PANELS ARE IN PLACE AS THEY CAN FALL FORWARD.**

**STUDIO 3 HAS A TOP BRACKET TO SECURE THE PANELS THIS MUST BE REMOVED PRIOR TO ATTEMPTING TO FIT THE REAR PANELS.**

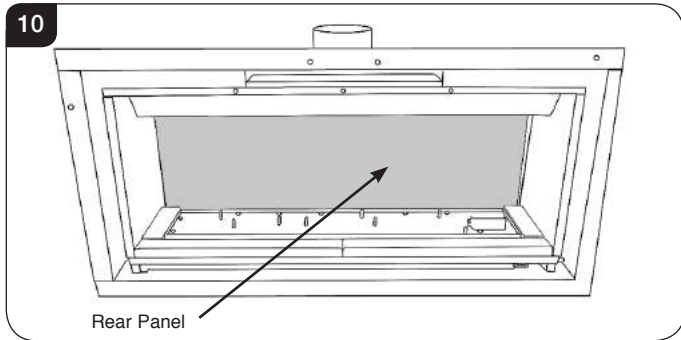
- 5.7 Place the lower side and front panels in position so the chamfers meet at the front edge of the burner.
- 5.8 Ensure the 2-piece front panels are engaged against the centre support tags on the burner and are pushed together in the middle, see Diagram 9.



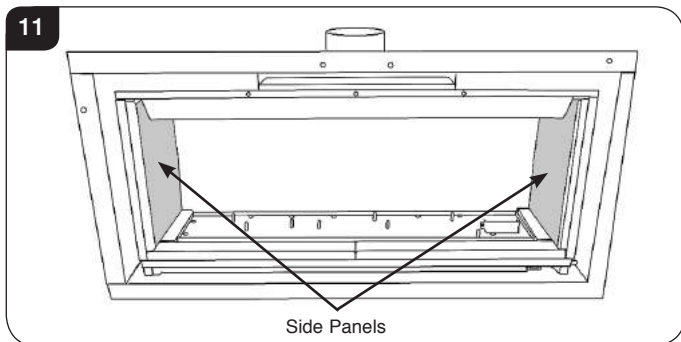


# Servicing Instructions - Replacing Parts

5.9 Fit and centralise the rear panel, see Diagram 10.



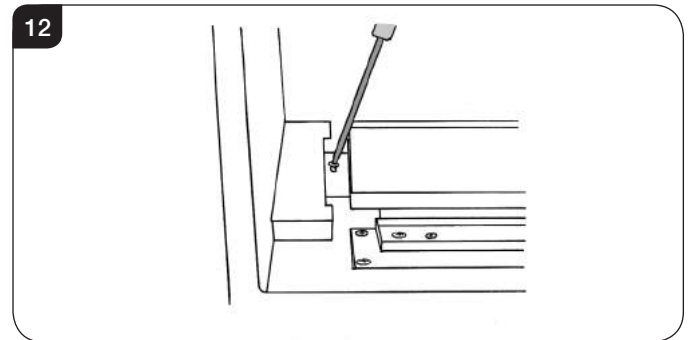
5.10 Slide the 2 side panels up to the rear panel, see Diagram 11.



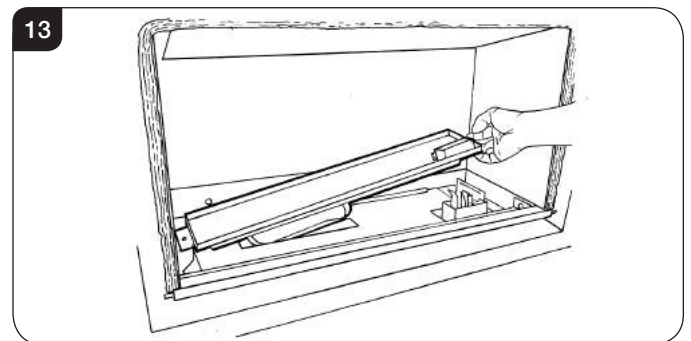
## 6. Main Burner

To replace the main burner:

- 6.1 Remove the fuel effect from the burner.
- 6.2 Remove the burner securing screw from the left side of the burner, see Diagram 12.



- 6.3 Slide the burner fully to the left.
- 6.4 Lift the right side clear of the pilot, see Diagram 13.



- 6.5 Slide the burner to the right and out of its location.
- 6.6 Refit in reverse order.
- 6.7 When refilling the fuel effect fill to the level of the rim of the burner tray and flatten level.

**TAKE CARE NOT TO SPILL THE EFFECT INTO THE PILOT AREA.**

**STACK STONE EFFECT IN FRONT OF THE PILOT SHIELD TO OBSCURE THE BLACK METAL SHIELD.**



# Servicing Instructions - Replacing Parts

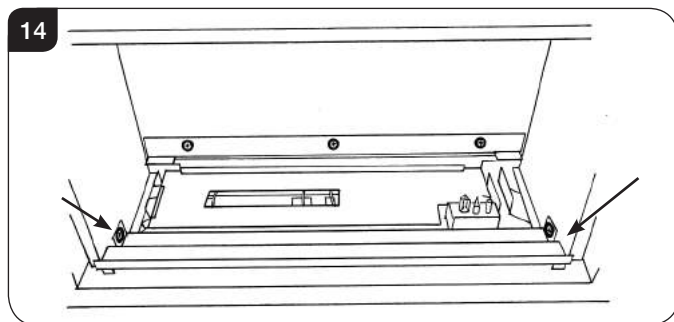
## 7. Main Control Assembly

7.1 To access the main control assembly first remove:

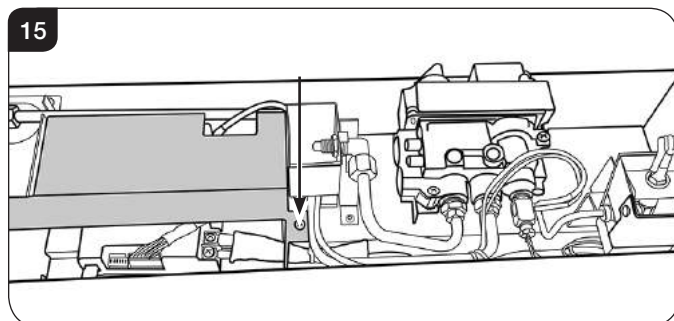
- Window frame
- Main burner
- Splitter plate

7.2 To remove the splitter plate:

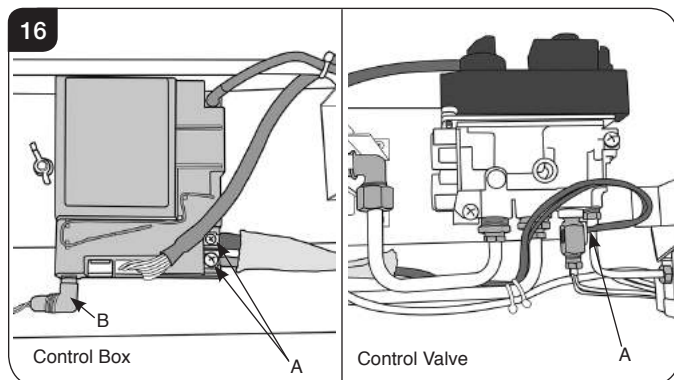
- Loosen the fixing screws (one each side)
- Lift the front of the plate off the screws
- Pull forward and upwards, see Diagram 14



7.3 It is now possible to access all of the Main Control Assembly. The control box is covered by a metal bracket, see Diagram 15. Remove the screw securing the bracket and lift off carefully.



7.4 Disconnect the 2 cables marked 'A' in Diagram 16.

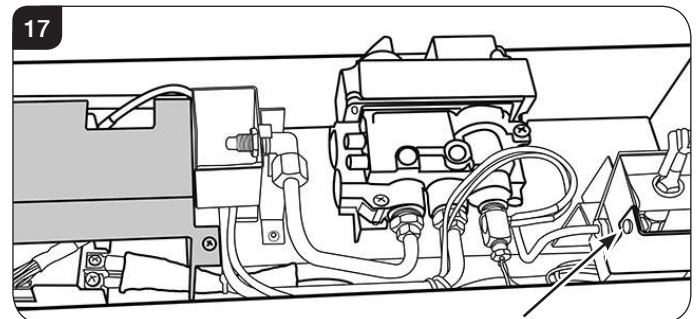


7.5 Disconnect the battery extension lead, Diagram 16, B.  
The control assembly can now be lifted up and removed.

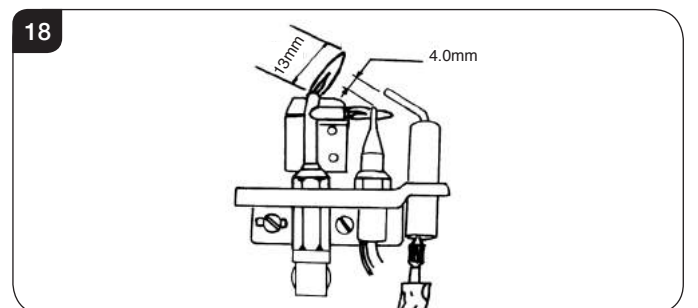
7.6 Reassemble in reverse order.

## 8. Pilot Unit Assembly

8.1 Remove the screw retaining the pilot cover.



8.2 Cut the cable tie retaining the Vidaflex sleeve and disconnect the ignition lead from the electrode.



8.3 Undo the pilot pipe and thermocouple from the rear of valve.

8.4 Remove the 2 fixing screws and retain the Vidaflex sleeve which is needed for the replacement.

8.5 Replace in reverse order.

8.6 Ensure the thermocouple and ignition lead are threaded through the Vidaflex and secured with a cable tie. There is a cut out in the pilot shroud to hold the Vidaflex.

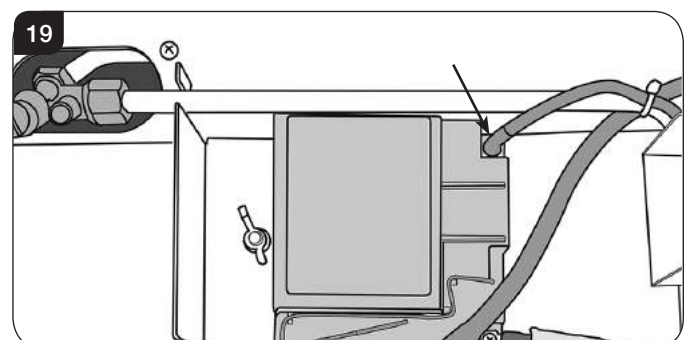
8.7 Check for gas leaks.

## 9. Ignition Lead

9.1 Cut the cable tie securing the Vidaflex (if present) and disconnect the ignition lead from the electrode.

9.2 Pull the lead through the Vidaflex.

9.3 Cut the remaining cable ties and disconnect the lead from the control box, see Diagram 19.



# Servicing Instructions - Replacing Parts

- 9.4 Replace in reverse order.
- 9.5 Ensure the lead is passed through the Vidaflex, secured with a cable tie and the red insulated end is attached to the electrode.

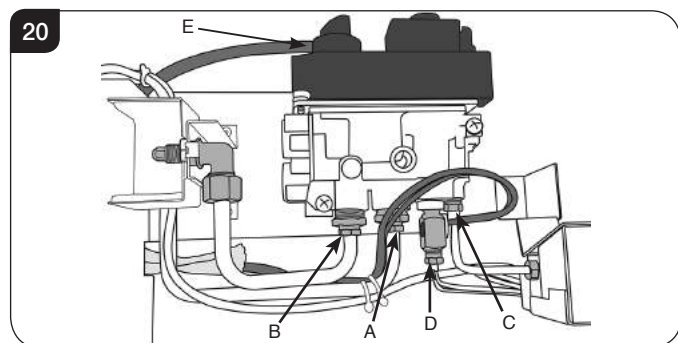


**NOTE: DO NOT ROUTE THE IGNITION LEAD IN THE VICINITY OF THE ANTENNA ON THE CONTROL BOX. THIS DAMAGES THE COMPONENTS.**

## 10. Gas Valve

To change the gas valve:

- 10.1 Disconnect the gas inlet pipe, Diagram 20, Arrow A.
- 10.2 Disconnect the gas outlet pipe, Diagram 20, Arrow B.
- 10.3 Disconnect the pilot pipe, Diagram 20, Arrow C.
- 10.4 Disconnect the thermocouple, thermo current wires and the interrupter block, Diagram 20, Arrow D.
- 10.5 Remove the 2 screws and rotate the valve to access the front.
- 10.6 The cable can now be removed from the valve, Diagram 20 Arrow E.



Replace in reverse order ensuring and check for leaks.

## 11. Magnetic Safety Valve

To replace the magnetic safety valve:

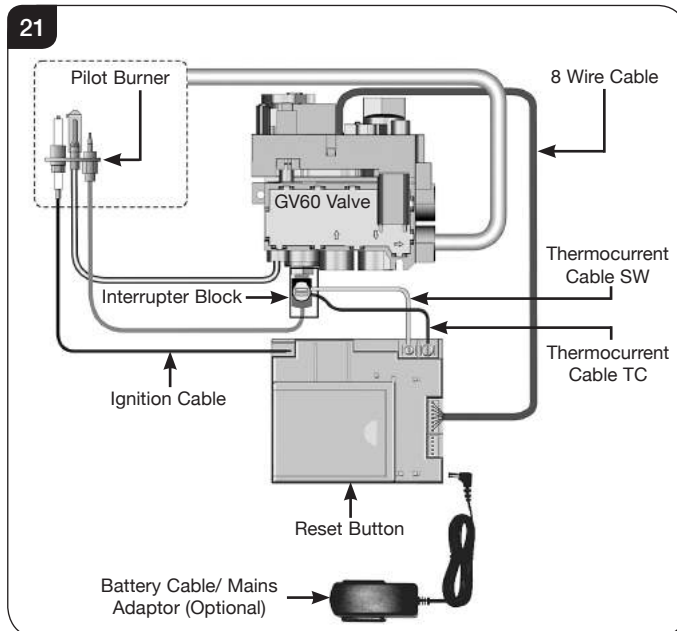
- 11.1 Undo the thermocouple from the interrupter block and remove the 2 interrupter leads.
- 11.2 Unscrew the interrupter block from the back of the valve.
- 11.3 Undo the silver magnetic valve retaining nut on the back of the valve.
- 11.4 Gently tap out the mag valve.
- 11.5 Replace with a new unit.
- 11.6 Reassemble in reverse order ensuring that the interrupter leads are connected correctly with the red tag lead nearest to the gas valve body.
- 11.7 Check for leaks.

## 12. Control Box

- 12.1 To replace the control box first remove the main control assembly, See Section 7.
- 12.2 Remove the 2 thermocurrent cables by removing the 2 screws, Diagram 21.
- 12.3 Remove the ignition lead, Diagram 21.
- 12.4 Remove the 8 wire loom from the control box.
- 12.5 Remove the battery extension cable, Diagram 21.

The control box can now be replaced.

When replacing the sealing plate on the rear of the control cover use a suitable silicone sealant.



- 12.6 After replacing the control box you may need to reprogram the handset.
- Press and hold the reset button on the control box until you hear two signals. After the second longer signal:
  - Release the reset button and within 20 seconds:
  - Press the DOWN button on the handset until you hear 2 additional short signals confirming the new code is set. If there is a single long signal the code learning sequence has failed or the wiring is incorrect.

# Servicing Instructions - Replacing Parts

## 13. Main Injector

To change the main injector:

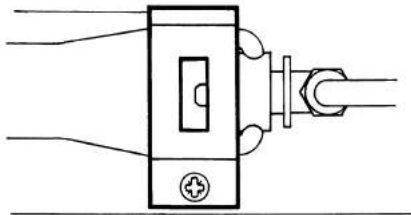
- 13.1 Undo the injector feed pipe.
- 13.2 Undo the lock nut from the injector and remove the silencer.
- 13.3 Replace with the correct size injector.
- 13.4 Check for leaks.

## 14. Primary Aeration Plate

**NOT ALL MODELS HAVE AERATION PLATES. REFER TO TECHNICAL SPECIFICATIONS, PAGES 9.**

- 14.1 Remove the burner module as described in Replacing Parts Section 6.
- 14.2 Remove the fixing screw and slide the plate off the venturi.
- 14.3 Replace with the correct size plate and secure with the screw. Ensure the lower edge of the plate is located over the venturi flange, see Diagram 22.

22



## 15. Changing Between Gas Types

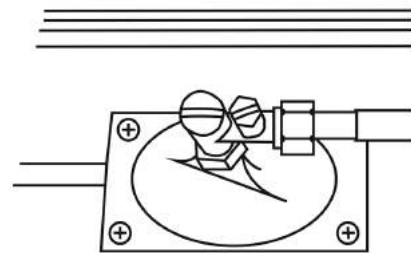
A kit of parts is available for this - Contact your Gazco retailer for further information.

Always quote the Model number and Serial number when ordering any spare parts.

## 16. Pressure and leak testing the appliance

- 16.1 Follow Section 7, Main Control Assembly.
- 16.2 Access to the pressure test point can now be reached, see Diagram 23.

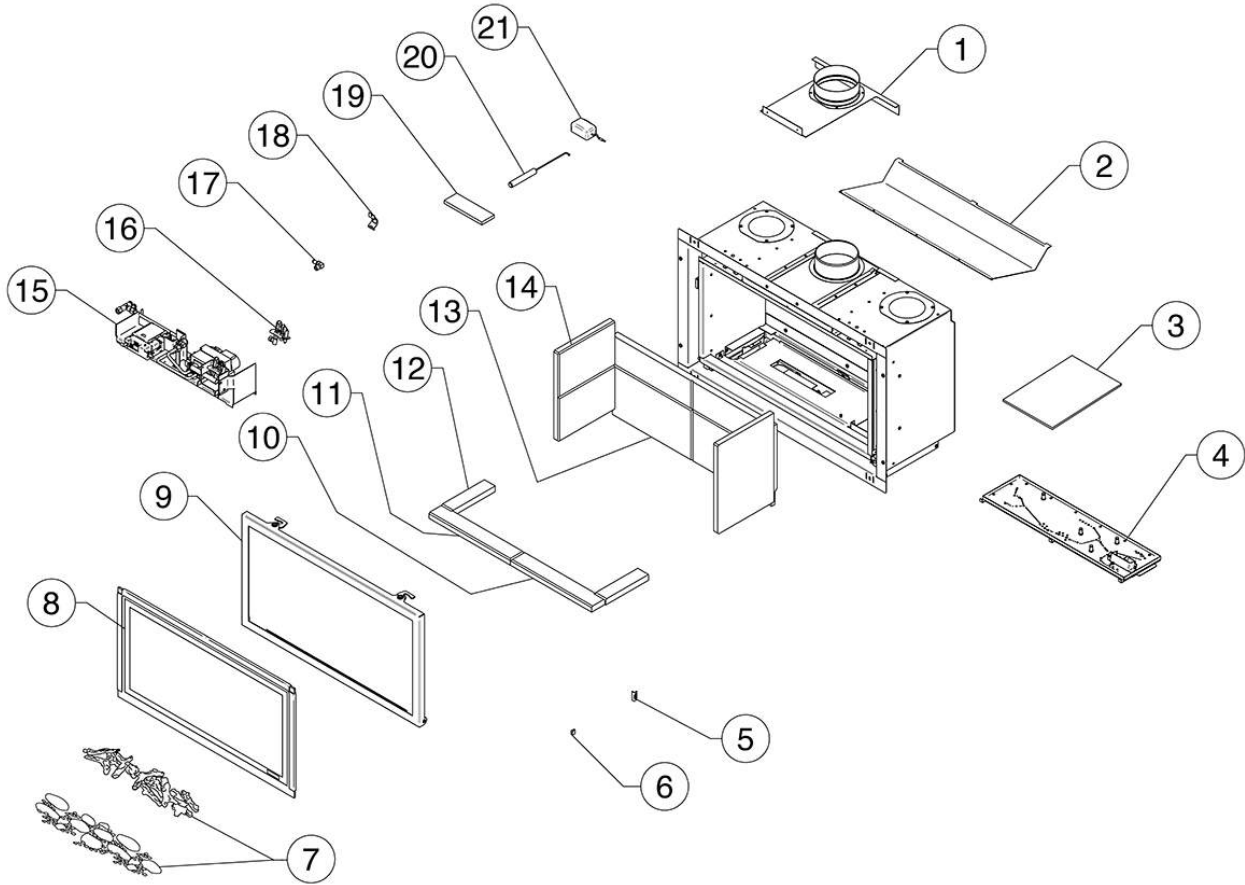
23



- 16.3 Refer to Installation Instructions, Section 3 to check gas pressure.
- 16.4 Light the appliance and spray any joints with leak detector fluid.
- 16.5 Tighten joints or replace as required.
- 16.6 To check the inlet working pressure, replace the control assembly and connect a manometer to the pressure test point, see Diagram 23. Replace the burner and relight the appliance. Operate the appliance at highest flame setting and check that the inlet pressure is in accordance with specifications detailed on page 9.

# Servicing Instructions - Replacing Parts

## 17. Spare Parts List - Studio 1



No.	Component	Part Code		Quantity
		Nat Gas	LPG	
1	Spigot Mounting Plate	GZ9643		1
2	Top Baffle	GZ6227		1
3	Instructions & Fixing Kit	GZ12814		1
4	Burner Assembly	GZ13562	GZ13588	1
5	Glass Clip Bracket	GZ6361		2
6	Steel Edge Clip	FA0523		2
7	Log Set	CE1839		1
	Pebble & Stone Set	923-632		
	Driftwood Set	CE1805		
8	Glass & Ropeseal Assembly	GZ8005		1
9	Door Assembly	GZ6829		1
10	Liner Base Front RH Piece - Black	CE1223		1
11	Liner Base Front LH Piece - Black	CE1220		1
12	Liner Base Side Piece - Black	CE1243		2

No.	Component	Part Code		Quantity
		Nat Gas	LPG	
13	Back Panel Vermiculite	CE0675		1
	Back Panel Black Reed	CE1221		1
	Back Panel Black Glass	GZ13071		1
14	Side Panel - LH & RH Vermiculite	CE0676		2
	Side Panel - LH & RH Black Reed	CE1222		
	Side Panel - LH Black Glass	GZ13073		1
	Side Panel - RH Black Glass	GZ13074		
15	Engine Assembly	GZ13570N	GZ13570P	1
16	Pilot	PI0036	PI0037	1
17	Elbow Injector	IN0023 - Size 360	IN0025 - Size 180	1
18	Aeration Plate	GZ7608 - ID Letter Q	GZ2003 - ID Letter A	1
19	Embaglow	GZ8471		1
20	Door Tool	GZ6690		1
21	Mains Adapter	999-620		1

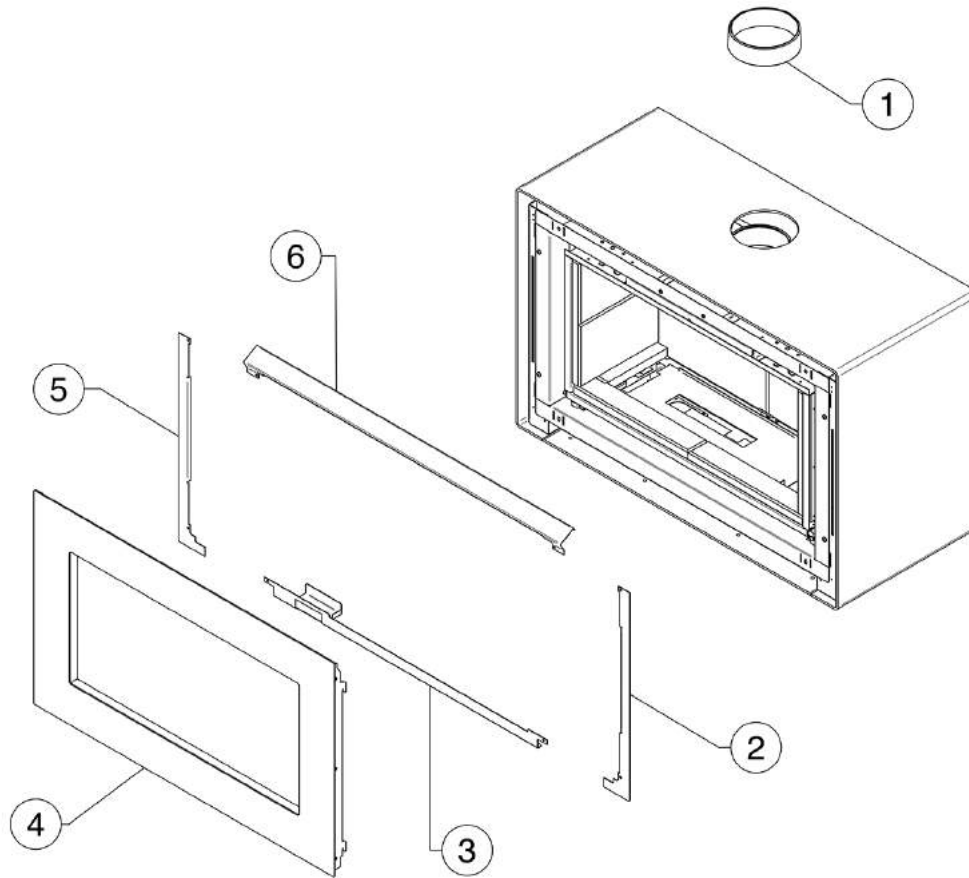


Due to continual technical improvements please check online or with your Gazco retailer for the most up to date parts lists.

Only use Genuine Gazco spares when servicing your appliance.  
All of our essential spare parts and consumable items are available to purchase from our webshop at [www.gazcospares.com](http://www.gazcospares.com).

# Servicing Instructions - Replacing Parts

## 17. Spare Parts List - Studio 1



No.	Component	Part Code	Quantity
1	C/F Flue Collar - Matt Black	999-010	1
2	Side Vanity Panel RHS	GZ12426	1
3	Bottom Vanity Panel	GZ12700	1
4	Main Steel Door Assembly - Black	GZ12702BK	1
	Main Steel Door Assembly - White	GZ12702WH	1
5	Side Vanity Panel LHS	GZ12423	1
6	Top Vanity Panel	GZ12695	1



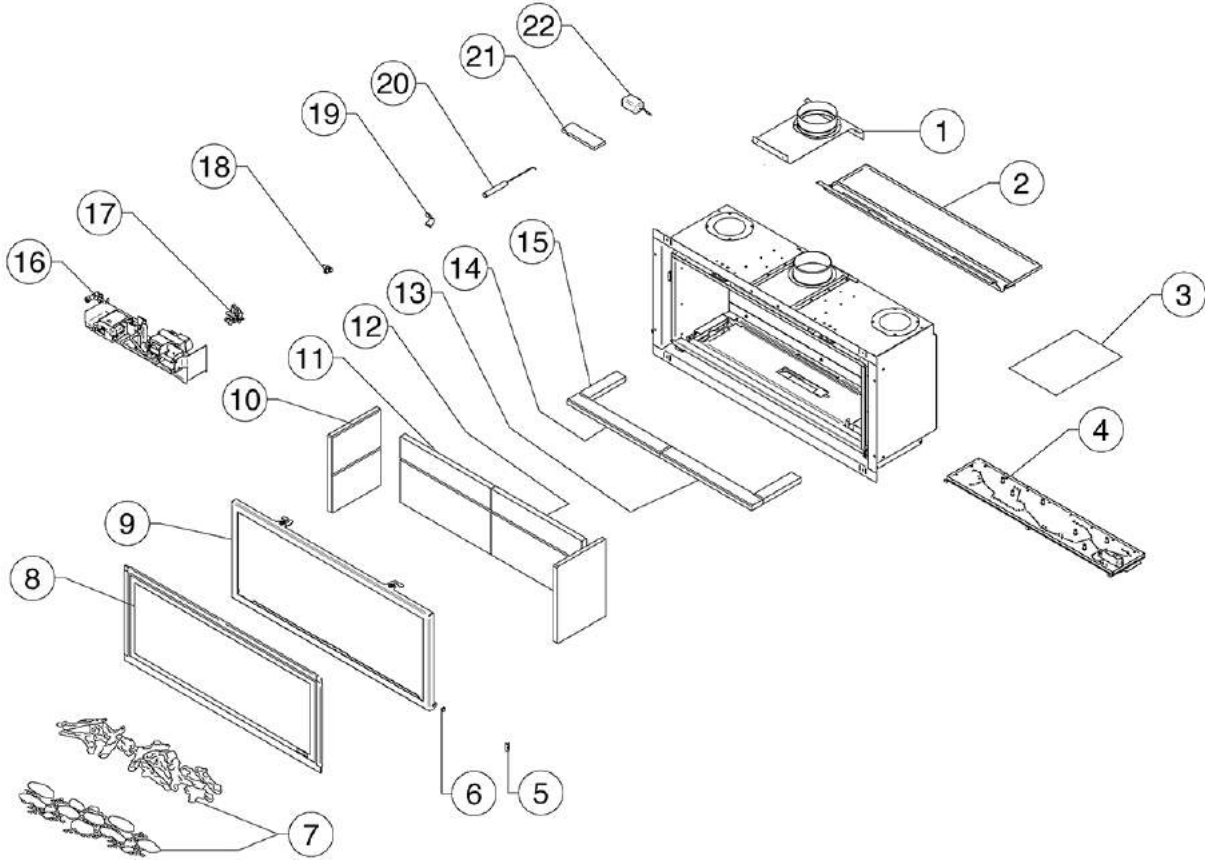
Due to continual technical improvements please check online or with your Gazco retailer for the most up to date parts lists.

Only use Genuine Gazco spares when servicing your appliance.  
All of our essential spare parts and consumable items are available to purchase from our webshop at [www.gazcospares.com](http://www.gazcospares.com).



# Servicing Instructions - Replacing Parts

## 17. Spare Parts List - Studio 2



No.	Component	Part Code		Quantity
		Nat Gas	LPG	
1	Spigot Mounting Plate	GZ12913		1
2	Top Baffle Assemble	GZ7035		1
3	Instructions & Fixing Kit	GZ12814		1
4	Burner Assembly	GZ13566	GZ13574	1
5	Glass Clip Bracket	GZ6361		2
6	Steel Edge Clip	FA0523		2
7	Log Set	CE1840		1
	Pebble & Stone Set	923-665		
	Driftwood Set	CE1806		
8	Door Glass Assembly	GZ7360		1
9	Door Assembly	GZ7131		1
10	Side Panel - LH & RH Vermiculite	CE0676		2
	Side Panel - LH & RH Black Reed	CE1222		
	Side Panel - LH Black Glass	GZ13073		1
	Side Panel - RH Black Glass	GZ13074		

No.	Component	Part Code		Quantity
		Nat Gas	LPG	
11	Back Panel - LH Vermiculite	CE0688		1
	Back Panel - LH Black Reed	CE1229		
	Back Panel - Black Glass (Full Width)	GZ13092		
12	Back Panel - RH Vermiculite	CE0728		1
	Back Panel - RH Black Reed	CE1230		
13	Liner Base Front RH Piece - Black	CE1232		1
14	Liner Base Front LH Piece - Black	CE1228		1
15	Liner Base Side Piece - Black	CE1243		2
16	Engine Assembly	GZ13571N	GZ13571P	1
17	Pilot	PI0036	PI0045	1
18	Elbow Injector	IN0029 - Size 530	IN0058 - Size 150	1
19	Aeration Plate	GZ2016 - ID Letter B	GZ4333 - ID Letter M	1
20	Door Tool	GZ6690		1
21	Embaglow	GZ8471		1
22	Mains Adapter	999-620		1



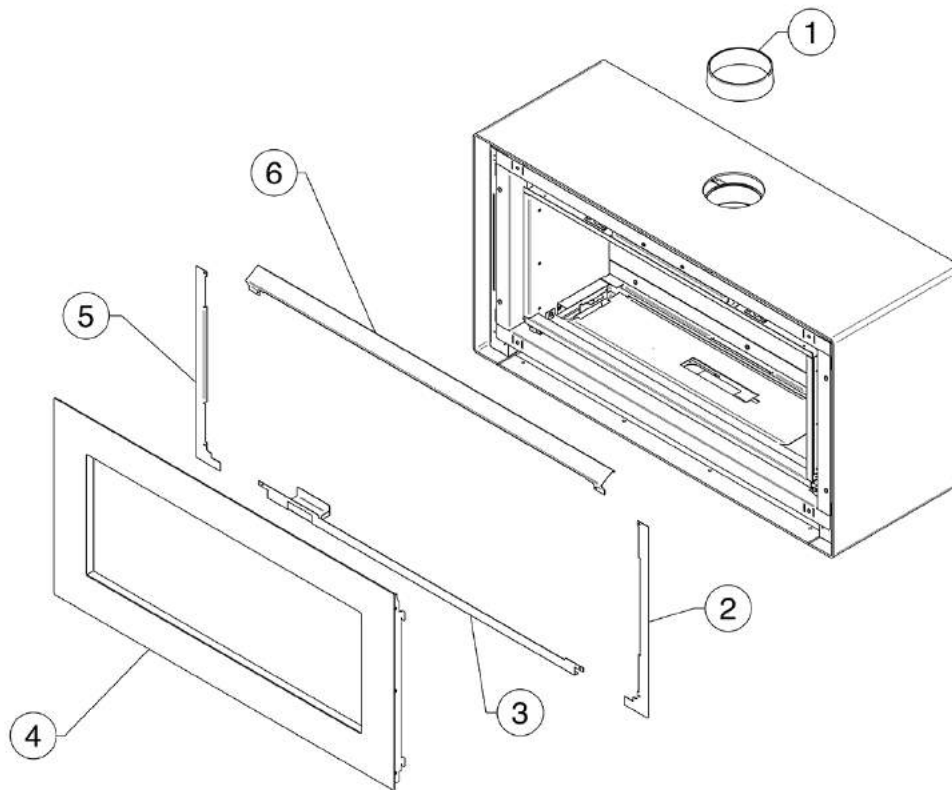
Due to continual technical improvements please check online or with your Gazco retailer for the most up to date parts lists.

Only use Genuine Gazco spares when servicing your appliance.

All of our essential spare parts and consumable items are available to purchase from our webshop at [www.gazcospares.com](http://www.gazcospares.com).

# Servicing Instructions - Replacing Parts

## 17. Spare Parts List - Studio 2



No.	Component	Part Code	Quantity
1	C/F Flue Collar - Matt Black	999-010	1
2	Side Vanity Panel RHS	GZ12426	1
3	Bottom Vanity Panel	GZ12444	1
4	Main Steel Door Assembly - Black	GZ12433BK	1
	Main Steel Door Assembly - White	GZ12433WH	1
5	Side Vanity Panel LHS	GZ12423	1
6	Top Vanity Panel	GZ12425	1



Due to continual technical improvements please check online or with your Gazco retailer for the most up to date parts lists.

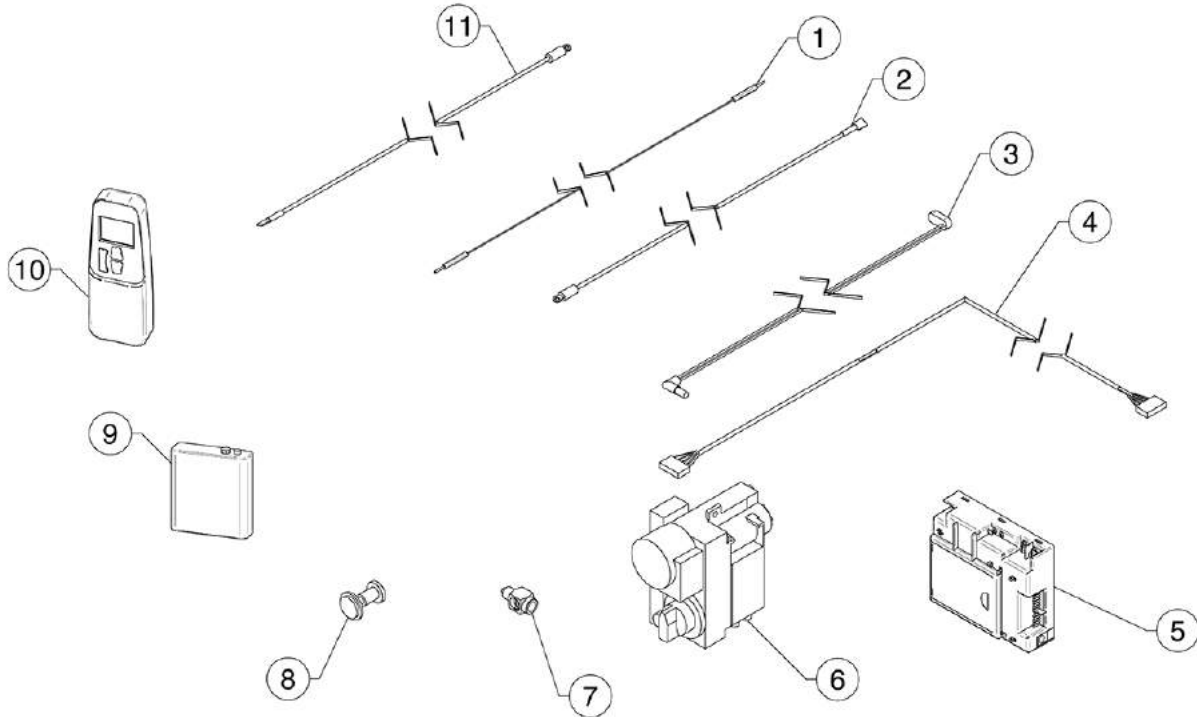
Only use Genuine Gazco spares when servicing your appliance.

All of our essential spare parts and consumable items are available to purchase from our webshop at [www.gazcospares.com](http://www.gazcospares.com).



# Servicing Instructions - Replacing Parts

## 17. Spare Parts List - Control Assembly



No.	Component	Part Code	Quantity
1	Ignition Cable	GC0125	1
2	Thermo-Current Cable	GC0136	1
3	3M Battery Cable	GC0138	1
4	350mm Connection Cable	GC0133	1
5	Receiver	EL0589	1
6	Gas Valve	GC0123K	1
7	Interrupter Block	GC0124	1
8	Mag Unit	GC0166	1
9	Slimline Battery Holder	EL0616	1
10	Handset	EL0571	1
11	Thermo-Current Cable	EL0590	1



Due to continual technical improvements please check online or with your Gazco retailer for the most up to date parts lists.

Only use Genuine Gazco spares when servicing your appliance.

All of our essential spare parts and consumable items are available to purchase from our webshop at [www.gazcospares.com](http://www.gazcospares.com).

# Service Records

## 1ST SERVICE

Date of Service.....  
Next Service Due .....  
Signed .....  
Retailer's Stamp/GasSafe Registration Number

## 2ND SERVICE

Date of Service.....  
Next Service Due .....  
Signed .....  
Retailer's Stamp/GasSafe Registration Number

## 3RD SERVICE

Date of Service.....  
Next Service Due .....  
Signed .....  
Retailer's Stamp/GasSafe Registration Number

## 4TH SERVICE

Date of Service.....  
Next Service Due .....  
Signed .....  
Retailer's Stamp/GasSafe Registration Number

## 5TH SERVICE

Date of Service.....  
Next Service Due .....  
Signed .....  
Retailer's Stamp/GasSafe Registration Number

## 6TH SERVICE

Date of Service.....  
Next Service Due .....  
Signed .....  
Retailer's Stamp/GasSafe Registration Number

## 7TH SERVICE

Date of Service.....  
Next Service Due .....  
Signed .....  
Retailer's Stamp/GasSafe Registration Number

## 8TH SERVICE

Date of Service.....  
Next Due .....  
Signed .....  
Retailer's Stamp/GasSafe Registration Number

## 9TH SERVICE

Date of Service.....  
Next Service Due .....  
Signed .....  
Retailer's Stamp/GasSafe Registration Number

## 10TH SERVICE

Date of Service.....  
Next Service Due .....  
Signed .....  
Retailer's Stamp/GasSafe Registration Number

# Information Requirement - Gas Heaters

## Information Requirement for Gaseous Fuel Local Space Heater

Model	Studio 1 MKII CF NG	Studio 1 MKII CF LPG	Studio 2 MKII CF NG	Studio 2 MKII CF LPG
<b>Fuel</b>	Space Heating Emissions (NOx) - mg / kWh <sub>input</sub> (GCV)			
	130	130	130	130

<b>Heat Output</b>	Nominal Heat Output - $P_{nom}$	4.1kW	4.6kW	6.2kW	6.3kW
	Minimum Heat Output (indicative) - $P_{min}$	2.3kW	2.0kW	2.7kW	2.8kW

<b>Auxiliary Electricity Consumption</b>	At Nominal Heat Output - $e_{l,max}$	N/A	N/A	N/A	N/A
	At Minimum Heat Output - $e_{l,min}$	N/A	N/A	N/A	N/A
	In Standby Mode - $e_{l,SB}$	N/A	N/A	N/A	N/A

<b>Useful Efficiency (NCV)</b>	Useful Efficiency at nominal heat output - $\eta_{th,nom}$	72.0%	72.0%	81.0%	82.0%
	Useful Efficiency at minimum heat output (indicative) - $\eta_{th,min}$	63.3%	63.6%	67.2%	69.7%

<b>Permanent Pilot Flame Power requirement</b>	Permanent Pilot Flame Power requirement (if applicable) - $P_{pilot}$	N/A	N/A	N/A	N/A
--	---	-----	-----	-----	-----

Type of heat output/room temperature control				
Electronic room temperature control + day timer	Yes	Yes	Yes	Yes

Other control options (multiple selections possible)				
Room temperature control, with presence detection	No	No	No	No
Room temperature control, with open window detection	No	No	No	No
With distance control option	No	No	No	No
With adaptive start control	No	No	No	No
With working time limitation	No	No	No	No
With black bulb sensor	No	No	No	No

<b>Energy Efficiency Index</b>	<b>68.0%</b>	<b>68.0%</b>	<b>77.0%</b>	<b>78.0%</b>
<b>Energy Efficiency Class</b>	<b>E</b>	<b>E</b>	<b>C</b>	<b>C</b>

<b>Contact:</b>	Gazco Ltd, Osprey Road, Sowton Industrial estate, Exeter, EX2 7JG
-----------------	---



**Gazco Limited, Osprey Road, Sowton Industrial Estate, Exeter, Devon, England EX2 7JG**  
**Technical Customer Services: (01392) 261950 Fax: (01392) 261951**  
**E-mail: [technicalservices@gazco.com](mailto:technicalservices@gazco.com)**

A member of the Stovax Group  
E & O E