

eReflex OUTSET ELECTRIC RANGE

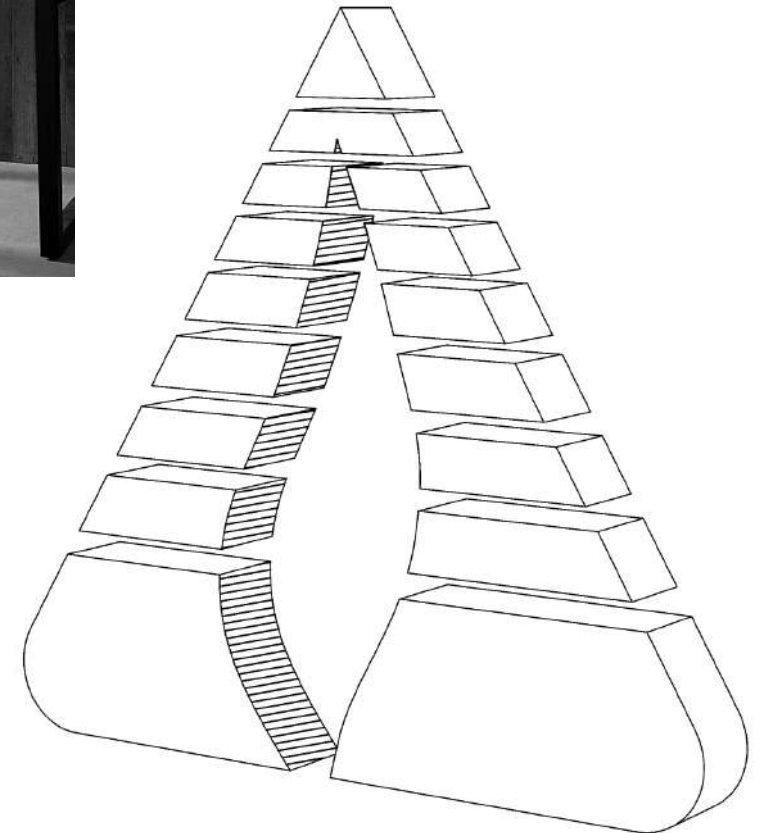
WALL MOUNTED LED FIRE/ CHEMINEE A LED A MONTAGE MURAL/ WANDGEMONTEERDE LED FIRE/
FOCOLARE LED MONTATO A PARETE/ VEGGMONTERT LED-PEIS/ ESTUFA LED DE MONTAJE EN PARED



DESIGN COMPLIANT



Instructions for Use, Installation & Servicing
Instructions d'installation et d'utilisation
Installatie en gebruikershandleiding
Istruzioni per l'uso, l'installazione e la manutenzione
Instruksjoner for bruk, installasjon og service
Instrucciones de instalación y manipulación



User Instructions

IMPORTANT

**THE HEATER OUTLET GRILLE BECOMES VERY HOT WHILST IN OPERATION.
DO NOT COVER THE OUTLET GRILLE OR ANY PART OF THE APPLIANCE.**


For use with 230V 50Hz electricity supply only.

Please read these instructions carefully before installation and keep them in a safe place.

They will be needed when maintenance or servicing is required.

THIS APPLIANCE MUST BE EARTHED

1. Important Information and Health and Safety

- 1.1 **Read all of the instructions carefully before using the appliance.**
- 1.2 **Remove all packaging and dispose of at an appropriate recycling facility.**
- 1.3 Do not locate this appliance immediately below a fixed socket outlet.
- 1.4 Do not use this appliance in the immediate surroundings of a bath, shower, swimming pool or any other area where the appliance could come into contact with water or humidity, e.g. a bathroom.
- 1.5  **WARNING! DO NOT COVER**
Do not allow the appliance to be covered or let the air inlet/outlet become obstructed as the appliance may overheat. Please note the warning symbol on the appliance (see above).
- 1.6 **For indoor use only.** This appliance is not suitable for use outside the house.
- 1.7 Keep the power cord away from hot surfaces and hot conditions. Do not route the power lead in front of the appliance.
- 1.8 This appliance must be firmly fixed to or recessed into, a flat internal wall. Ensure that furniture, curtains etc. are positioned no closer than 1m to the appliance.
- 1.9 When the appliance has been installed the position of the plug must be accessible.

- 1.10 Where the electricity supply cable has to pass through a masonry wall, stone surround etc. ensure suitable rubber bushes are fitted at possible wear points.
- 1.11 If the electricity supply cable is damaged do not use the appliance until it has been replaced. For safety reasons the replacement has to be carried out by a Gazco service agent or a similarly competent electrician.
- 1.12 **CAUTION:** In order to avoid a hazard due to inadvertent resetting of the thermal cut-out, this appliance must not be supplied through an external switching device, such as a timer, or connected to a circuit that is regularly switched on and off by the utility.
- 1.13 Do not operate the appliance if it is damaged.
- 1.14 Repairs of electrical appliances must only be performed by an electrical engineer. Should the appliance fail to operate, or in case of any damage, please contact the retailer from whom the appliance was purchased.
- 1.15 This appliance can be used by children aged from 8 years and above and persons with reduced physical, sensory or mental capabilities or lack of experience and knowledge if they have been given supervision or instruction concerning use of the appliance in a safe way and understand the hazards involved. Children of less than 3 years should be kept away unless continuously supervised.

Children aged from 3 years and less than 8 years shall only switch on/off the appliance provided that it has been placed or installed in its intended normal operating position and they have been given supervision or instruction concerning use of the appliance in a safe way and understand the hazards involved. Children aged from 3 years and less than 8 years shall not plug in, regulate and clean the appliance or perform maintenance.

However Gazco recommend:

This appliance is not intended to be used by persons under the age of 12, persons with reduced physical, sensory or mental capabilities or persons with lack of experience and knowledge in the safe operation of the appliance.

The appliance may be operated by persons above the age of 12 provided they have been instructed in the safe use of the appliance and that they understand the hazards involved. Persons above the age of 12 may also operate the appliance under the supervision of a responsible adult.

Parts of this appliance become hot whilst in operation and under no circumstances should persons under the age of 12 be left alone with the product when it is in operation unless a suitable fireguard is used to protect them against the possibility of coming into direct contact with the appliance.

Children shall not play with the appliance.

Cleaning and user maintenance shall not be made by children without supervision.

2. Operating Instructions



WARNING! Do not operate the appliance if it is damaged or has malfunctioned. If you suspect the appliance is damaged or has malfunctioned call a qualified service engineer to inspect the appliance, and replace any part of the electrical system if necessary, before reuse.

Do not disconnect the power at the mains supply whilst the appliance is running. Use the functions on the remote to turn the fire off and ensure the mains switch has been moved to the off position before disconnecting.

GENERAL

- 2.1 The appliance can be operated by the radio frequency handset or the manual controls which are on the right hand side of the viewing window.



NOTE: To use both remote and manual functions the manual on/off switch must be in 'ON' position. In order to prevent the product becoming too hot, there is a 10s delay when turning on the heater and a 10s delay when turning off the heater fan.

The manual button controls basic functions, not a full range of controls. Use the remote hand set to carry out all functions.

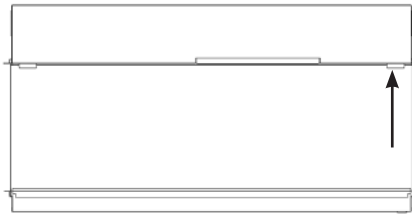
PREPARATION BEFORE USE

Batteries:

- 2.2 Ensure that the handset batteries are new and inserted correctly.
- 2.3 Dispose of old batteries at an appropriate recycling facility.

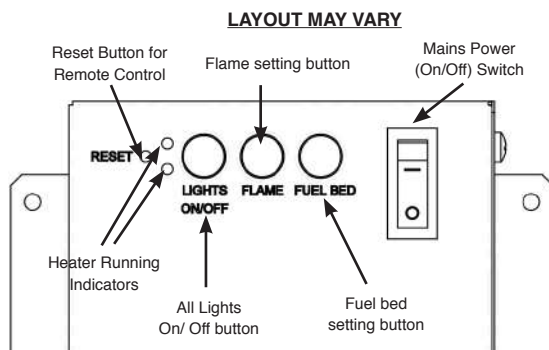
User Instructions

LOCATION OF POWER SWITCH



2a. Manual Control Panel

- 2a.1 The manual controls on appliance are located at the upper right of appliance.
- 2a.2 Turning on the appliance with the main power switch on '—' position. A long beep will be heard.
- 2a.3 Press "LIGHTS ON/OFF" to turn on or turn off both the flame and fuel bed at the same time.
- 2a.4 There are 3 flame colour options:
Press "FLAME" button to select the colour of flame or return to the OFF position.
- 2a.5 There are 14 fuel bed colour options:
Press "FUEL BED" button to select the colour of fuel bed or return to the OFF position.



Note: The appliance will lose the memory for the light functions when the switch is set to the Off Position or the remote runs out of power.

Heater Running Indicators (see Diagram)

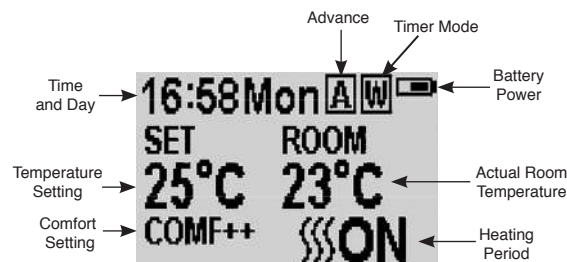
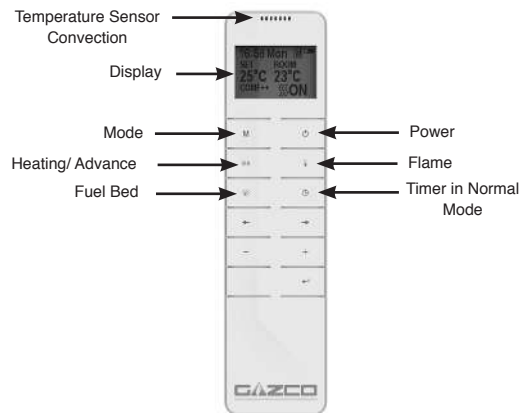
- 2a.6 When the fan heater is used in conjunction with the flame or fuel bed effects the heater running indicators will light up for 10 seconds.
- The LEDs will illuminate for 10 seconds if the flame or fuel bed effect is On.
If the fan heater is used independently, the heater running indicators will stay on.

Reset Button for Remote Control

- 2a.7 If the handset loses signal or needs to be replaced then, see Servicing Section for details.

2b. Remote Controls

The remote control should be left on a flat surface in the room where the appliance is installed and away from any direct flow of hot air.



Signal Code

- 2b.1 The remote control works by radio signal. The handheld transmitter is configured in the factory with a unique signal code.

IMPORTANT: If the handset loses signal or needs to be replaced, see Servicing Section for details.



NOTE: The remote control has a Battery Status indicator (top right corner), after an extended period of displaying empty the LED screen will cease to function despite the handset still being able to send commands. Replace the batteries to restore display.

Turn on/off

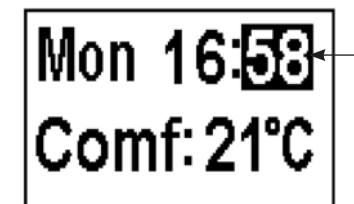
- 2b.2 Press button to turn on the flame effect.
- 2b.3 Press button to turn off all the functions under the normal heating control mode including flame effect and fan heater.
- 2b.4 Press button to turn off the flame effect under daily and week timer heating mode.

Week Days/ Time/ Comfort Temperature and Unit Setting

On activation it is recommended that the clock is reset to the correct time to ensure accuracy of the appliance operation.

- 2b.5 Hold the **M** button for 3 seconds to enter the setting screen.
- 2b.6 Press the '<' or '>' button to choose setting to change.

The selected character will be highlighted, see Diagram.



User Instructions

2b.7 Press the '+' or '-' button to adjust the number.

Time: 24-hour system.
Select Comfort temperature from 15-25°C.
Temperature unit: °C/°F.

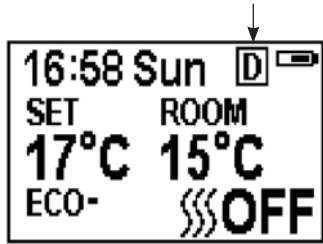
2b.8 Press the ↵ button for 3 seconds or wait 10 seconds to save and exit the week, time and heating temperature setting.

Daily Timer Heating

2b.9 The following heating periods have been preset, these can be altered if desired:

06:00 until 08:00
17:00 until 22:00

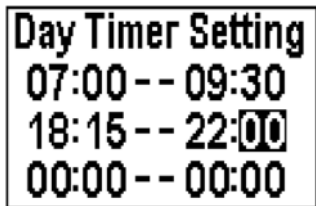
2b.10 Press **M** until **D** shows at the upper right corner of the screen to enter the daily timer heating mode.



2b.11 Hold the ↵ button for 6 seconds to enter the daily heating setting.
A maximum of 3 timed heating periods can be set per day.

2b.12 Press '←' or '→' to choose hour or minute.

2b.13 Press '+' or '-' to set the number.
The minute increment / decrement by 15minutes per press.



2b.14 Hold the ↵ button for 3 seconds or wait for 10 seconds to save and exit the heating time period setting.

2b.15 Check the timer setting. Press ↵ to check the daily timer mode.

2b.16 If the heating needs to be turned off, it will be necessary to go back to the Normal Control Mode to it turn off.

When in Daily Timer Mode switching the appliance off with the remote will stop the light output. The heat output will continue according to the timer settings.

Adjusting the Set Temperature

2b.17 Press the '+' or '-' button to increase or decrease the temperature on the basis of COMF temperature.

COMF means the actual temperature is the same as setting.

ECO means the actual temperature is 2°C lower than the setting temperature.

ECO- means 4°C lower.

COMF+ means 2°C higher.

COMF++ means 4°C higher.

Adaptive start control

According to room temperature and set-pointed temperature, the heater will automatically determine the appropriate time to heat to ensure that it will reach the set-pointed temperature in the set time (up to 45 minutes prior to the set time).

Flame Colour Adjustment

2b.18 Press 🔥 button to enter the flame adjustment screen.

There are 3 flame colour options, indicated by the number shown in Diagram.

There are 6 levels of brightness, including off. This is indicated by the bar, with the blank bar indicating off, see Diagram.



2b.19 Press the '←' or '→' button to cycle through the flame colour options.

2b.20 Press the '+' button to increase the flame brightness.

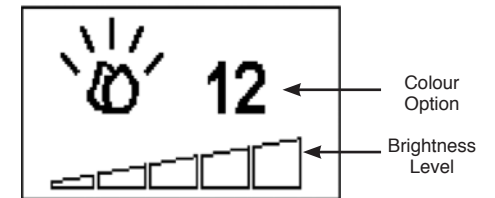
Press the '-' button to decrease the flame brightness until off.

Fuel Bed Colour Adjustment

2b.21 Press 🔦 to enter the fuel bed light adjustment screen.

There are 14 fuel bed colour options, indicated by the number shown.

There are 6 levels of brightness, including off. This is indicated by the bar, with the blank bar indicating off, see Diagram.



2b.22 Press the '←' or '→' button to cycle through the fuel bed colour options.

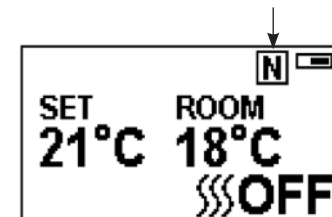
2b.23 Press the '+' button to increase the fuel bed brightness.

Press the '-' button to decrease the fuel bed brightness until off.

Normal Control Mode

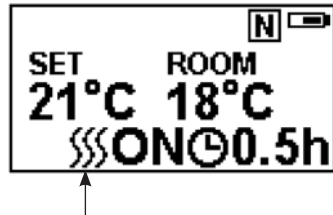
2b.24 Normal Control Mode is the default setting.

Alternatively press **M** button until the **N** logo is shown at the upper right corner of the screen, see Diagram.



User Instructions

- 2b.25 Press the '+' or '-' button to adjust the setting temperature from 17°C to 25°C.
- 2b.26 Press **[[[A** button to turn the heat on/off, **[[[ON** or **[[[OFF** will show at the lower right corner of the screen, see Diagram.



Note: It is normal for the fan heater to stop running for periods of time. This happens if the room temperature is higher than the temperature set on the control.

The heater indicator will be turned off after 10s if the flame is switched ON. The heater indicator will stay ON if only the heating function is used.

When in Normal Control Mode switching the appliance off with the remote will stop both the light and heat output.

Count Down Timer

This setting is only in normal heating control mode. It allows the appliance to be returned to Standby after a set period of time. The heater must be switched on to use this function.

- 2b.27 Press **⌚** to cycle through the setting from Off and 0.5 hours to 9 hours. Timer logo and remaining time will show on the screen.

The heater of appliance can be automatically run by using daily timer and weekly timer on the remote.

Battery

The battery power level is indicated at the top right of the remote control screen, see Diagram.

	Battery Full	No action required
	Battery Half Power	Ensure new batteries are available.
	Battery Empty	Replace batteries immediately

Battery replacement is recommended after 1 year. The Remote requires two 1.5V alkaline AAA batteries.

Changing the batteries will not affect the Timer Mode settings, however, the clock may need adjusting.

Week Timer Heating

- 2b.28 The following heating periods have been preset, these can be altered if desired:

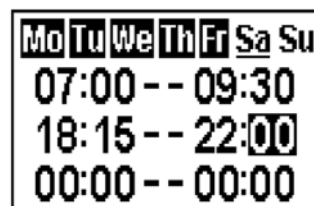
From Monday to Friday
06:00 until 08:30
17:00 until 22:00

From Saturday to Sunday
06:30 until 09:30
11:00 until 13:00
17:00 until 22:00

- 2b.29 Press **M** until **W** shows at the upper right corner of the screen to enter the week heating mode.



- 2b.30 Hold the **↵** button for 6 seconds to enter the week timer heating mode setting.
- 2b.31 Press '**←**' or '**→**' to move the cursor (a flashing underline).
- 2b.32 Press the **↵** button in the corresponding week position to select (the character is highlighted) or cancel (the character is displayed normally) the current setting, the same time period can be selected together.



- 2b.33 Press the '**→**' button to move the cursor to the time period setting area.

- 2b.34 Press '**←**' or '**→**' button to choose hour or minute.

- 2b.35 Press '+' or '-' to set the number.

A maximum of 3 timed heating periods can be set per day.

Minute increment / decrement by 15minutes per press.

- 2b.36 Press **↵** to set the heating time for the selected day and return to the week line.

- 2b.37 Hold the **↵** button for 3 seconds or wait for 10 seconds to save and exit the heating time period setting.

- 2b.38 Press **↵** '**←**' or '**→**' to check the timer setting for the week timer heating mode.

- 2b.39 Press the Heater/Advance button to advance the off cycle.

When in Weekly Timer Mode switching the appliance off with the remote will stop the light output. The heat output will continue according to the timer settings.

Adjusting the Set Temperature

- 2b.40 Press the '+' or '-' button to increase or decrease the temperature on the basis of COMF temperature.

COMF means the actual temperature is the same as setting.

ECO means the actual temperature is 2°C lower than the setting temperature.

ECO- means 4°C lower.

COMF+ means 2°C higher.

COMF++ means 4°C higher.

Adaptive start control

According to room temperature and set-pointed temperature, the heater will automatically determine the appropriate time to heat to ensure that it will reach the set-pointed temperature in the set time (up to 45 minutes prior to the set time).

User Instructions

Advance mode

2b.41 The heating state can be advanced to the next period is under both the daily and week timer heating mode.



If the heater is on in the current period, pressing the button will turn the heater off.

If the heater is off in the current period, pressing the button will turn the heater on.

Whether the actual heating will be on/off also depends on the room temperature and setting temperature.

2b.42 Press **||| A** to enter the Advance mode under the daily and week timer heating mode, **A** will show at the upper right corner of the screen.

2b.43 Press **||| A** again or timer period ends will exit the Advance mode.

Window open detecting

2b.44 When the transmitter detects a rapid drop in room temperature, it will be judged as an open window: the warning icon will be displayed and the heating will be turned off automatically.



2b.45 After indoor temperature rise or manual intervention (by operating remote control), it will return to normal working state.

3. Trento Modular Suite

Please refer to the Trento Modular Suite instructions PR2453EU.

4. Maintenance

4.1 **ALWAYS UNPLUG FROM MAINS SUPPLY BEFORE CLEANING OR UNDERTAKING ANY MAINTENANCE.**

GENERAL CLEANING

4.2 Only clean the outer casing when it is cold. Do not use abrasive cleaners.

CLEANING GLASS

4.3 Wipe the glass viewing panel with a damp cloth and buff with a lint free duster.

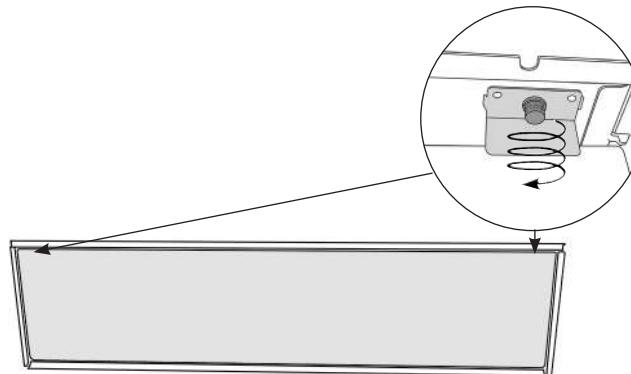
Caution: Do not use abrasive cleaners on the glass panel. Do not spray liquids directly onto any surface of the unit.

CLEANING THE FUEL EFFECT

To access the fuel effect it will be necessary to remove the glass viewing panel.

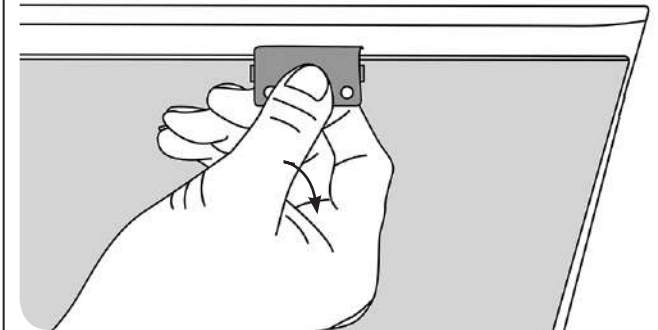
4.4 Ensure the appliance is unplugged.

4.5 There is a clamp at the top of each corner of the glass viewing panel that secure the glass in place, see Diagram.



4.6 Supporting the glass, loosen and remove the 2 clamps. These can be unscrewed using just finger tips.

4.7 Carefully tip the glass forward and lift out of the lower tray to remove from the appliance, see Diagram.



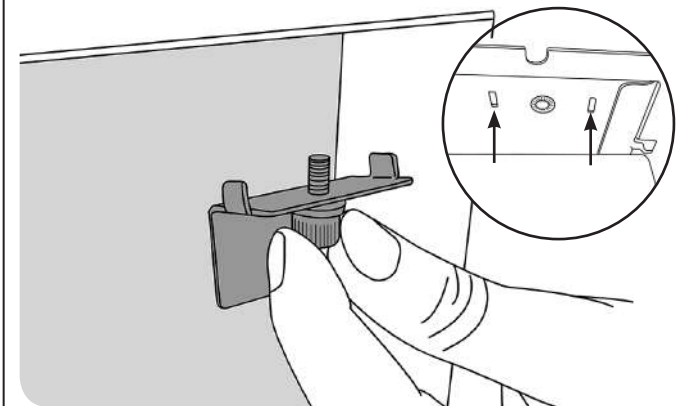
The fuel effect can now be accessed.

4.8 Remove and wash the fuel effect to remove any dust particles. Alternatively clean with a lint free duster. **Ensure that the effect is dry before replacing.**

Replace the fuel effect see Installation Instructions Section for layout.

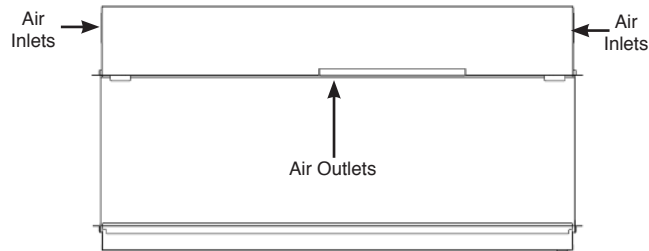
4.9 Replace the glass following the instructions in reverse order.

When replacing the clamps ensure that the tabs on the clamps locate in the slots on the appliance.



CLEANING AIR INLETS

- 4.10 Ensure the appliance is unplugged.
- 4.11 Clean the air inlet and outlet grilles regularly with a soft cloth or the nozzle of a vacuum cleaner.



Dust build-up can inhibit efficient performance of the fan and lead to the safety cut-out operating.

- 4.12 Keep the area around the appliance clean and free of fluff, dust or pet hair.
- 4.13 In particular, build-up of dust etc. can occur around the heater area. Take particular care to keep this area free from such particles on a regular basis to prevent build-up.

BATTERY REPLACEMENT

- 4.14 When the remote battery is low it must be changed immediately. Install correct replacement and dispose of the old battery carefully at an appropriate recycling facility.

Instructions d'Utilisation

IMPORTANT


LA GRILLE D'ÉVACUATION DU SYSTÈME DE CHAUFFAGE DEVIENT TRÈS CHAUDE LORS DU FONCTIONNEMENT. NE PAS COUVRIR LA GRILLE D'ÉVACUATION NI TOUTE AUTRE PARTIE DE L'APPAREIL.

Pour utilisation uniquement avec une alimentation électrique de 230V, 50Hz.

Veuillez lire ces instructions avec attention avant de procéder à l'installation, et les conserver en lieu sûr car vous en aurez besoin en cas de maintenance et de service.

CET APPAREIL DOIT ÊTRE RELIÉ À LA TERRE

1. Informations Importantes Et Hygiène Et Sécurité

- 1.1 **Lisez attentivement toutes les instructions avant d'utiliser l'appareil.**
- 1.2 **Les emballages doivent être jetés dans un centre de recyclage approprié.**
- 1.3 Ne pas placer l'appareil immédiatement au-dessous d'une sortie fixe de prise.
- 1.4 Ne pas utiliser cet appareil à proximité immédiate d'une baignoire, d'une douche, d'une piscine ou de tout autre lieu où l'appareil risque d'être en contact avec l'eau.
- 1.5  **ATTENTION: NE PAS RECOUVRIR!**
ATTENTION: Ne pas recouvrir l'appareil ou boucher l'arrivée / la sortie d'air car cela risque de provoquer la surchauffe de l'appareil. Veuillez noter le symbole d'avertissement sur l'appareil (voir ci-dessus).
- 1.6 **Uniquement pour utilisation à l'intérieur.** Cet appareil n'est pas adapté à une utilisation à l'extérieur de la maison.
- 1.7 Éloigner le câble d'alimentation électrique des surfaces chaudes et des zones à haute température. Ne pas faire passer le câble d'alimentation électrique devant l'appareil.
- 1.8 Cet appareil doit être bien attaché sur un mur interne plat ou intégré à celui-ci. Veiller à ce que tout mobilier ou rideau soit positionné à au moins 1 m de l'appareil.
- 1.9 Une fois l'appareil installé, l'emplacement de la prise doit être accessible.

- 1.10 Lorsque le câble d'alimentation électrique doit passer à travers une cheminée, un entourage en pierre, etc., le munir d'une bague en caoutchouc aux points de frottement possible.
- 1.11 Si le câble d'alimentation électrique est endommagé, ne pas utiliser l'appareil jusqu'à ce qu'il ait été remplacé. Pour des questions de sécurité, le remplacement doit être effectué par la société Gazco, un agent de service Gazco ou bien par un électricien compétent.
- 1.12 **ATTENTION :** Afin d'éviter tout danger suite à une réinitialisation accidentelle de la coupure thermique, cet appareil ne doit pas être alimenté par un dispositif de commutation externe, comme un minuteur ou connecté à un circuit qui est régulièrement mis sous et hors tension par l'utilité.
- 1.13 Ne pas utiliser l'appareil s'il est endommagé.
- 1.14 Les réparations des appareils électriques ne doivent être effectuées que par un électricien. Si l'appareil ne fonctionne pas ou en cas de dommages, veuillez contacter le revendeur qui vous a livré l'appareil.
- 1.15 Cet appareil peut être utilisé par des enfants âgés de 8 ans et plus et par des personnes ayant des capacités physiques, sensorielles ou mentales réduites ou manquant d'expérience et de connaissances, si elles sont sous surveillance ou suivent les instructions relatives à l'utilisation de l'appareil de manière sûre et comprennent les risques inhérents. Les enfants de moins de 3 ans doivent toujours être tenus éloignés sauf s'ils sont constamment surveillés.

Les enfants entre 3 ans et 8 ans ne devront mettre sous/hors tension l'appareil que si ce dernier a été placé ou installé dans sa position d'utilisation normale prévue et sous surveillance ou en suivant les instructions relatives à l'utilisation de l'appareil de manière sûre et s'ils comprennent les risques inhérents. Les enfants entre 3 ans et 8 ans ne devront pas brancher, régler et nettoyer l'appareil ni l'entretenir.

Toutefois, Gazco recommande :

L'usage de cet appareil est déconseillé aux personnes de moins de 12 ans, aux personnes aux capacités intellectuelles, sensorielles ou physiques limitées ou aux personnes qui manquent d'expérience et de connaissance pour manipuler cet appareil en toute sécurité.

L'appareil peut être manipulé par des personnes de plus de 12 ans à condition qu'elles aient bien assimilé les consignes de sécurité de l'appareil et qu'elles ont compris les risques encourus. Les personnes âgées de plus de 12 ans peuvent aussi manipuler l'appareil sous la surveillance d'un adulte responsable.

Les pièces de cet appareil deviennent chaudes quand il est en marche et il ne faut en aucun cas laisser des personnes de moins de 12 ans sans surveillance avec le produit en marche à moins qu'un coupe-feu ne soit utilisé pour les empêcher d'entrer en contact direct avec l'appareil.

De ne pas laisser les enfants jouer avec l'appareil.

De ne pas laisser les enfants effectuer le nettoyage et l'entretien sans surveillance.

2. Mode d'emploi



ATTENTION! Ne pas allumer l'appareil s'il est endommagé ou en cas de dysfonctionnement. Si vous pensez que l'appareil est endommagé ou en cas de dysfonctionnement, veuillez contacter un technicien de service qualifié pour inspecter l'appareil, et remplacer toutes pièces du circuit électrique si nécessaire avant de le remettre en marche.

De ne pas débrancher l'appareil du secteur lorsque l'appareil fonctionne. Utilisez les fonctions de la télécommande pour arrêter le feu et veillez à ce que l'interrupteur d'alimentation soit placé sur la position arrêt avant de débrancher.

GÉNÉRALITÉS

- 2.1 L'appareil peut être commandé soit par le casque à fréquences radio, soit par les commandes manuelles qui se trouvent à droite de la fenêtre de visualisation.



REMARQUE : Pour utiliser les fonctions de la télécommande et manuelles, l'interrupteur marche/arrêt manuel doit être sur la position 'ON'. Pour éviter une surchauffe du produit, il y a un délai de 10 s lors de la mise en marche de l'appareil de chauffage et un délai de 10 s lors de l'arrêt du ventilateur de l'appareil de chauffage.

Le bouton manuel commande les fonctions de base, pas toutes les commandes. Utilisez la télécommande pour exécuter toutes les commandes.

PRÉPARATION AVANT UTILISATION

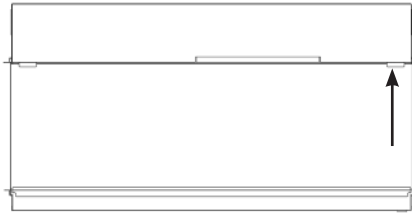
Piles:

- 2.2 Veiller à ce que les piles électriques de la télécommande soient neuves et insérées correctement.

Instructions d'Utilisation

2.3 Lors du remplacement des piles, veiller à disposer des vieilles piles conformément à la bonne pratique.

EMPLACEMENT DE L'INTERRUPTEUR MARCHE/ARRÊT



2a. Panneau de commande manuelle

2a.1 Les commandes manuelles sur l'appareil sont placées en haut à droite de l'appareil.

2a.2 Mise en marche de l'appareil avec l'interrupteur d'alimentation sur la position marche '—'. Un long bip retentira.

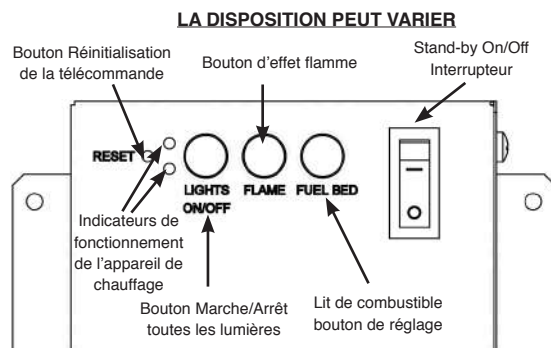
2a.3 Appuyez sur « LIGHTS ON/OFF » pour allumer ou éteindre la flamme et le lit de combustible en même temps.

2a.4 Il existe 3 options de couleur de flamme :

Appuyez sur le bouton « FLAME » pour sélectionner la couleur de la flamme ou retournez sur la position ARRÊT.

2a.5 Il existe 14 types de lit de combustible :

Appuyez sur le bouton « FUEL BED » pour sélectionner la couleur du lit de combustible ou retournez sur la position ARRÊT.



Remarque : Les fonctions d'éclairage de l'appareil seront effacées lorsque l'interrupteur sera placé sur la position Arrêt ou si la télécommande est déchargée.

Indicateurs de fonctionnement de l'appareil de chauffage (voir Schéma).

2a.6 Lorsque l'appareil de chauffage du ventilateur est utilisé avec les effets flamme ou lit de combustible, les indicateurs de fonctionnement de l'appareil de chauffage s'allumeront pendant 10 secondes.

Les LED s'allumeront pendant 10 secondes si l'effet flamme ou lit de combustible est Activé.

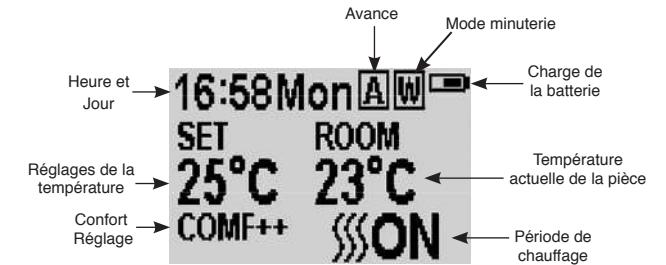
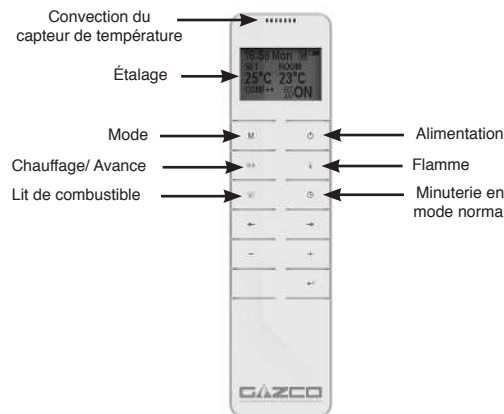
Si l'appareil de chauffage du ventilateur est utilisé indépendamment, les indicateurs de fonctionnement de l'appareil de chauffage resteront allumés.

Bouton Réinitialisation de la télécommande

2a.7 **Si le casque perd le signal ou doit être remplacé, veuillez consulter la Section réparation pour en savoir plus.**

2b. Commandes à distance

La télécommande doit être posée sur une surface plane dans la pièce où l'appareil est installé et loin du courant d'air chaud direct.



Code de signal

2b.1 La télécommande fonctionne par signal radio. L'émetteur portatif est configuré en usine avec un code de signal unique.

IMPORTANT : Si le casque perd le signal ou doit être remplacé, veuillez consulter a Section réparation pour en savoir plus.



REMARQUE : la télécommande comporte un témoin de piles (coin supérieur droit) ; après un affichage prolongé de l'état vide, l'écran LED cessera de fonctionner même si la télécommande peut encore envoyer des commandes. Remplacer les piles pour rétablir l'affichage.

Mise sous/hors tension

2b.2 Appuyez sur le bouton pour activer l'effet flamme.

2b.3 Appuyez sur le bouton pour désactiver toutes les fonctions en mode de commande de chauffage normal y compris l'effet flamme et l'appareil de chauffage du ventilateur.

2b.4 Appuyez sur le bouton pour désactiver l'effet flamme en mode de chauffage minuté quotidien et hebdomadaire.

Instructions d'Utilisation

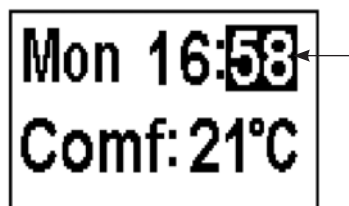
Réglage de l'unité et de la température de confort/Jours de la semaine/Heure

Lors de l'activation, il est recommandé de réinitialiser l'horloge à l'heure correcte pour assurer la précision du fonctionnement de l'appareil.

2b.5 Maintenez le **M** bouton pressé pendant 3 secondes pour entrer dans l'écran de réglage.

2b.6 Appuyez sur le bouton '←' ou '→' pour choisir le paramètre à changer.

Le caractère sélectionné sera mis en surbrillance, voir Schéma.



2b.7 Appuyez sur le bouton '+' ou '-' pour régler le nombre.

Heure : Système 24 heures.
Sélectionnez une température de confort entre 15-25°C.
Unité de température : °C/°F.

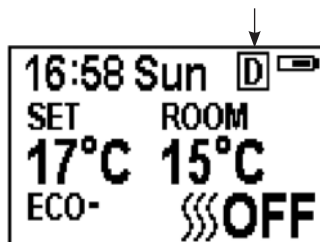
2b.8 Appuyez sur le bouton ↵ pendant 3 secondes ou attendez 10 secondes pour enregistrer et quitter le réglage de la semaine, heure et température.

Chauffage à minuterie quotidienne

2b.9 Les périodes de chauffage suivantes ont été prédéfinies, celles-ci peuvent être modifiées selon les besoins :

06:00 jusqu'à 08:00
17:00 jusqu'à 22:00

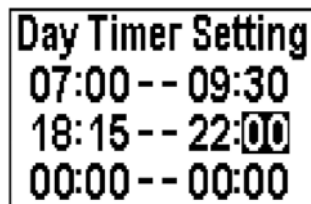
2b.10 Appuyez sur **M** jusqu'à ce que **D** s'affiche en haut à droite de l'écran pour passer en mode de chauffage à minuterie quotidienne.



2b.11 Maintenez le bouton ↵ pressé pendant 6 secondes pour entrer dans le paramètre du chauffage quotidien. 3 périodes de chauffage minutées maximum peuvent par configurées par jour.

2b.12 Appuyez sur '←' ou '→' pour choisir heure ou minute.

2b.13 Appuyez sur '+' ou '-' pour régler le nombre. Les minutes augmentent / diminuent de 15 par pression.



2b.14 Maintenez le bouton ↵ pressé pendant 3 secondes ou attendez 10 secondes pour enregistrer et quitter le réglage de la période de chauffage.

2b.15 Contrôlez le réglage de la minuterie. Appuyez sur ↵ pour contrôler le mode minuterie quotidienne.

2b.16 Si le chauffage doit être arrêté, il faudra revenir en arrière au Mode de commande normale pour l'arrêter.

Lorsque vous êtes en Mode minuterie quotidienne, l'arrêt de l'appareil avec la télécommande coupera la puissance calorifique. La puissance calorifique se poursuivra selon les réglages de la minuterie.

Réglage de la température définie

2b.17 Appuyez sur le bouton '+' ou '-' pour augmenter ou réduire la température sur la base de la température COMF.

COMF signifie que la température actuelle est la même que le réglage.

ECO signifie que la température actuelle est 2°C inférieure à la température du réglage.

ECO- signifie 4°C inférieure.

COMF+ signifie 2°C supérieure.

COMF++ signifie 4°C supérieure.

Commande de mise en route adaptive

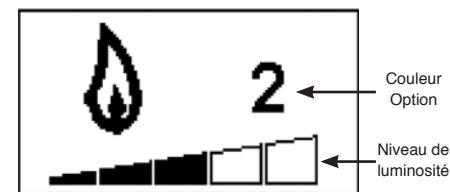
Selon la température de la pièce et la température définie, l'appareil de chauffage déterminera automatiquement l'heure appropriée à laquelle chauffer pour s'assurer qu'elle atteindra la température définie dans la durée définie (jusqu'à 45 minutes avant l'heure définie).

Ajustement de la couleur de la flamme

2b.18 Appuyez sur le 🔥 bouton pour entrer dans l'écran d'ajustement de la flamme.

Il y a 3 options de couleur de flamme, indiquées par le nombre affiché dans le Schéma.

Il y a 6 niveaux de luminosité, y compris arrêt. Ceci est indiqué par la barre, avec la barre vierge indiquant arrêt, voir Schéma.




2b.19 Appuyez sur le bouton '←' ou '→' pour parcourir les options de couleur de flamme.

2b.20 Appuyez sur le bouton '+' pour augmenter la luminosité de la flamme.

Appuyez sur le bouton '-' pour réduire la luminosité de la flamme jusqu'à l'éteindre.

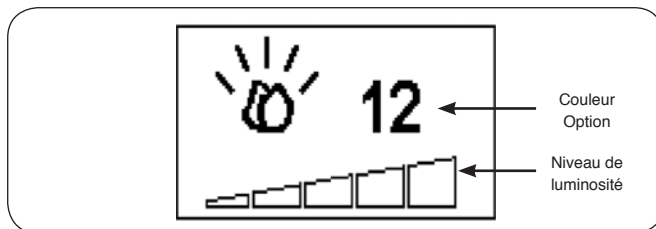
Instructions d'Utilisation

Ajustement de la couleur du lit de combustible

2b.21 Appuyez sur  pour entrer dans l'écran d'ajustement de la lumière du lit de combustible.

Il y a 14 options de couleur de lit de combustible, indiquées par le nombre affiché dans le Schéma.

Il y a 6 niveaux de luminosité, y compris arrêt. Ceci est indiqué par la barre, avec la barre vierge indiquant arrêt, voir Schéma.



2b.22 Appuyez sur le bouton '←' ou '→' pour parcourir les options de couleur de lit de combustible.

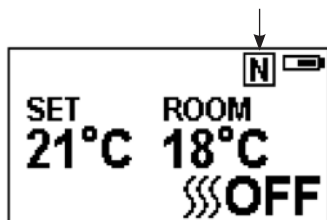
2b.23 Appuyez sur le bouton '+' pour augmenter la luminosité du lit de combustible.

Appuyez sur le bouton '-' pour réduire la luminosité du lit de combustible jusqu'à l'éteindre.

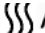
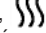

Mode de commande normale

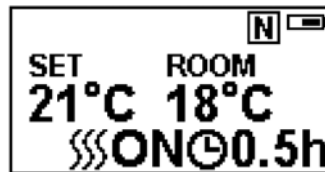
2b.24 Le Mode de commande normale est le réglage par défaut.

Sinon appuyez sur le bouton **M** jusqu'à ce que le logo  s'affiche en haut à droite de l'écran, voir Schéma.



2b.25 Appuyez sur le bouton '+' ou '-' pour régler la température entre 17°C et 25°C.

2b.26 Appuyez sur le bouton  pour mettre sous/hors tension l'appareil de chauffage,  MARCHE ou  ARRÊT s'affichera en bas à droite de l'écran, voir Schéma.




Remarque : Il est normal que l'appareil de chauffage à ventilateur s'arrête de fonctionner pendant certaines durées. Ceci se produit lorsque la température de la pièce est supérieure à la température définie sur la commande.

L'indicateur de chauffage s'éteindra au bout de 10 s si la flamme est allumée. L'indicateur de chauffage restera allumé si seule la fonction chauffage est utilisée.

Lorsque vous êtes en Mode de commande normale, l'arrêt de l'appareil avec la télécommande coupera la puissance calorifique et la lumière.

Compte à rebours



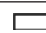
Ce réglage est uniquement en mode de commande de chauffage normale. Il permet à l'appareil de revenir en mode de veille après un certain temps. L'appareil de chauffage doit être mis en marche pour utiliser cette fonction.

2b.27 Appuyez sur  pour parcourir les réglages d'Arrêt et 0,5 heures à 9 heures. Le logo de la minuterie et le temps restant s'afficheront à l'écran.

Le chauffage de l'appareil peut être lancé automatiquement en utilisant la minuterie quotidienne et la minuterie hebdomadaire sur la télécommande.

Batterie

Le niveau de puissance de la batterie est indiqué en haut à droite de l'écran de la télécommande.

	Batterie chargée	Aucune action requise
	Batterie à moitié chargée	Veillez à avoir des piles neuves à disposition.
	Batterie déchargée	Changez immédiatement les piles

Un remplacement de la batterie est recommandé au bout de 1 an. La Télécommande a besoin de deux piles alcalines AAA 1,5V.


Le changement des piles n'affectera pas les réglages du Mode minuterie, toutefois, l'horloge devra peut-être être réglée.

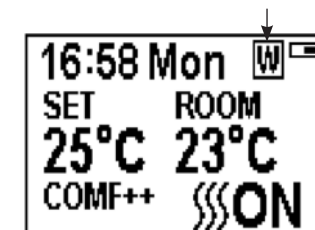
Chauffage à minuterie hebdomadaire


2b.28 Les périodes de chauffage suivantes ont été prédéfinies, celles-ci peuvent être modifiées selon les besoins :

Du lundi au vendredi
06:00 jusqu'à 08:30
17:00 jusqu'à 22:00

Du samedi au dimanche
06:30 jusqu'à 09:30
11:00 jusqu'à 13:00
17:00 jusqu'à 22:00


2b.29 Appuyez sur **M** jusqu'à ce que  s'affiche en haut à droite de l'écran pour passer en mode de chauffage semaine.

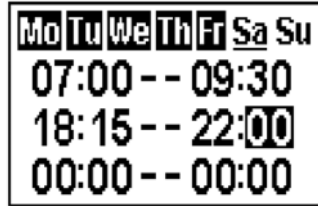


2b.30 Maintenez le bouton  pressé pendant 6 secondes pour entrer dans le réglage du mode de chauffage à minuterie hebdomadaire.

2b.31 Appuyez sur '←' ou '→' pour déplacer le curseur (un caractère de soulignement clignotant).

Instructions d'Utilisation

- 2b.32 Appuyez sur le bouton  à la position semaine correspondante pour sélectionner (le caractère est en surbrillance) ou annuler (le caractère est affiché normalement) le réglage actuel, la même durée peut être sélectionnée.




- 2b.33 Appuyez sur le bouton '→' pour déplacer le curseur dans la même zone de réglage de durée.


- 2b.34 Appuyez sur le bouton '←' ou '→' pour choisir heure ou minute.


- 2b.35 Appuyez sur '+' ou '-' pour régler le nombre.

3 périodes de chauffage minutées maximum peuvent par configurées par jour.

Les minutes augmentent / diminuent de 15 par pression.

- 2b.36 Appuyez sur  pour définir l'heure de chauffage du jour sélectionné et retourner à la ligne semaine.

- 2b.37 Maintenez le bouton  pressé pendant 3 secondes ou attendez 10 secondes pour enregistrer et quitter le réglage de la période de chauffage.

- 2b.38 Appuyez sur  '←' ou '→' pour contrôler le réglage de la minuterie pour le mode de chauffage à minuterie hebdomadaire.

- 2b.39 Si le chauffage doit être arrêté, il faudra revenir en arrière au Mode de commande normale pour l'arrêter.

Lorsque vous êtes en Mode minuterie hebdomadaire, l'arrêt de l'appareil avec la télécommande coupera la puissance calorifique. La puissance calorifique se poursuivra selon les réglages de la minuterie.

Réglage de la température définie

- 2b.40 Appuyez sur le bouton '+' ou '-' pour augmenter ou réduire la température sur la base de la température COMF.

COMF signifie que la température actuelle est la même que le réglage.

ECO signifie que la température actuelle est 2°C inférieure à la température du réglage.

ECO- signifie 4°C inférieure.

COMF+ signifie 2°C supérieure.

COMF++ signifie 4°C supérieure.

Commande de mise en route adaptative

Selon la température de la pièce et la température définie, l'appareil de chauffage déterminera automatiquement l'heure appropriée à laquelle chauffer pour s'assurer qu'elle atteindra la température définie dans la durée définie (jusqu'à 45 minutes avant l'heure définie).

Mode avance

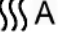

- 2b.41 L'état de chauffage peut être avancé à la période suivante en mode chauffage à minuterie hebdomadaire et quotidienne.

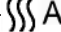


Si le chauffage est activé dans la période en cours, une pression sur le bouton désactivera le chauffage.

Si le chauffage est désactivé dans la période en cours, une pression sur le bouton activera le chauffage.

L'activation/désactivation du chauffage en cours dépendra également de la température de la pièce et du réglage.

- 2b.42 Appuyez sur  pour passer en mode Avance sous le mode de chauffage à minuterie hebdomadaire et quotidienne,  s'affichera en haut à droite de l'écran.

- 2b.43 Appuyez sur  à nouveau ou attendez la fin de la durée de la minuterie pour quitter le mode Avance.

Détection de fenêtre ouverte

- 2b.44 Lorsque l'émetteur détecte une chute rapide de la température de la pièce, elle sera considérée comme une fenêtre ouverte : l'icône d'avertissement s'affichera et le chauffage sera automatiquement désactivé.



- 2b.45 Une fois que la température ambiante aura remontée ou après une intervention manuelle (en utilisant la télécommande), il retournera à l'état de fonctionnement normal.

3. Gamme modulaire Trento

Veillez vous référer aux instructions de la Gamme modulaire Trento PR2453EU.

4. Maintenance

- 4.1 **TOUJOURS COUPER L'ALIMENTATION ÉLECTRIQUE PRINCIPALE AVANT D'ENTREPRENDRE LE NETTOYAGE OU L'EXÉCUTION DE LA MAINTENANCE.**

GENERAL NETTOYAGE

- 4.2 Ne procéder au nettoyage du cadre externe que lorsqu'il est froid. Ne pas utiliser de nettoyeurs abrasifs.

NETTOYAGE DE LA VITRE

- 4.3 Essuyer le panneau vitré d'observation avec un chiffon humide et le polir avec un chiffon non pelucheux.

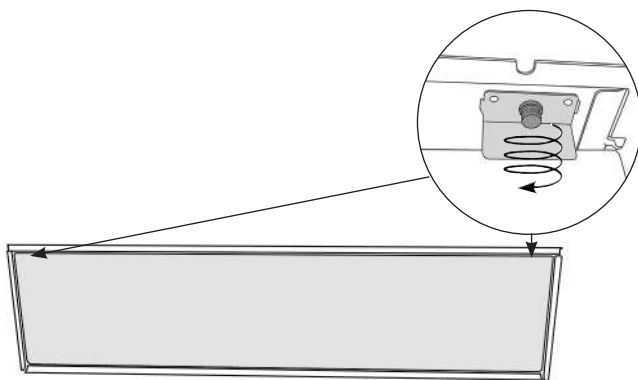
Attention : ne pas utiliser de nettoyeurs abrasifs sur le panneau en verre. Ne pas projeter de liquide directement sur les surfaces de l'appareil.

NETTOYAGE DE L'EFFET DE CARBURANT

Pour accéder à l'effet combustible, il est nécessaire de déposer la vitre de visualisation.

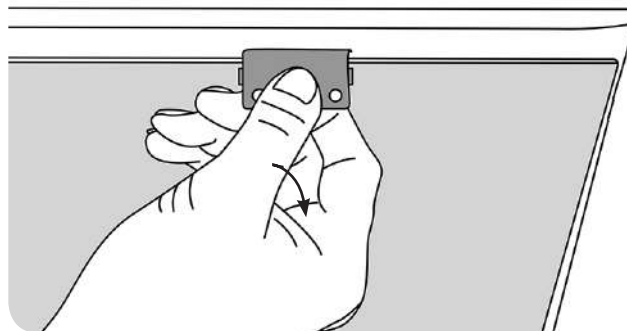
- 4.4 Couper l'alimentation électrique principale.

- 4.5 Il y a une pince en haut de chaque coin de la vitre de visualisation, dont la fonction est de maintenir la vitre en place, voir Schéma.



- 4.6 Tout en soutenant la vitre, desserrer et déposer les 2 pinces. Celles-ci peuvent être dévissées avec les doigts.

- 4.7 Faire basculer la vitre avec précaution et la soulever du plateau inférieur pour la retirer de l'appareil, voir Schéma.



L'effet combustible est maintenant accessible.

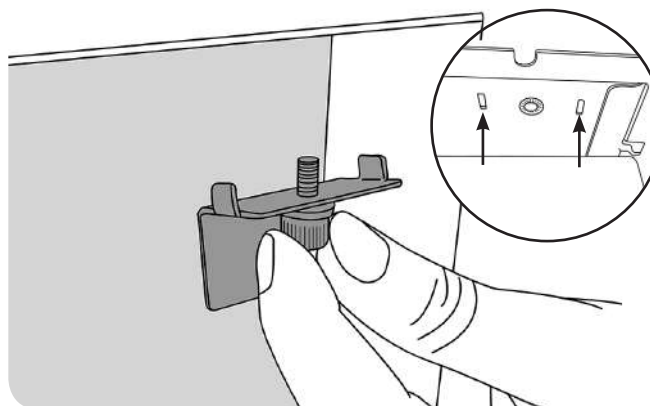
- 4.8 Déposer et laver l'effet combustible pour éliminer toute particule de poussière. Autrement, le nettoyer avec un chiffon sans peluches.

Veiller à ce que l'effet soit sec avant de le remettre en place.

Lors du remplacement des effets combustibles, voir Installation, pour obtenir les instructions d'agencement.

- 4.9 Remettre la vitre en place en suivant les instructions en sens inverse.

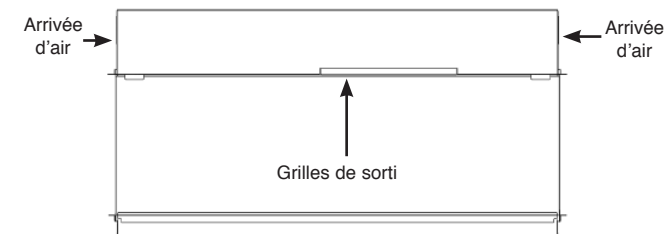
Lors de l'installation des pinces, s'assurer que les onglets des pinces s'insèrent bien dans les rainures de l'appareil, voir Schéma.



NETTOYAGE DES ARRIVÉES D'AIR

- 4.10 Couper l'alimentation électrique principale.

- 4.11 Nettoyer l'arrivée d'air et les grilles de sortie régulièrement à l'aide d'un chiffon doux ou du bec d'un aspirateur.



L'accumulation de poussière réduit l'efficacité du ventilateur et peut provoquer le déclenchement du dispositif d'arrêt d'urgence.

- 4.12 Maintenir les alentours du poêle propres et libres de peluche, de poussière ou de poils d'animaux.

- 4.13 En particulier, l'accumulation de poussière etc. peut avoir lieu autour de la zone de chauffage sur le haut de l'appareil. Prendre particulièrement soin de maintenir cette surface libre de débris régulièrement pour éviter l'accumulation.

REPLACEMENT DES PILES ÉLECTRIQUES

- 4.14 Lorsque les piles électriques de la télécommande sont faibles, elles doivent être remplacées immédiatement. Installer les nouvelles piles correctement et disposer des piles usagées conformément à la bonne pratique.

Gebruikershandleiding

BELANGRIJK

DE GRILL VAN DE VERWARMINGSUITGANG WORDT ERG HEET TIJDENS DE WERKING DEK DE UITGANGSGRILL OF EEN ONDERDEEL VAN HET APPARAAT NIET AF.

Voor het gebruik met een 230V 50Hz voeding.

Lees deze instructies vóór de installatie zorgvuldig door en berg het op een veilige plek op.

U zult deze nodig hebben wanneer er onderhoud op de haard uitgevoerd moet worden.

DIT APPARAAT MOET WORDEN GEAARD

1. Belangrijke Informatie & Veiligheidsvoorschriften

- 1.1 **Lees de hele handleiding zorgvuldig door, voordat het apparaat gebruikt wordt.**
- 1.2 **Verwijder al het verpakkingsmateriaal. De verpakking moet op de juiste manier tot afval verwerkt worden.**
- 1.3 Plaats deze haard niet rechtstreeks onder een stopcontact.
- 1.4 Gebruik deze haard niet in de onmiddellijke nabijheid van een bad, douche of zwembad, of andere gebieden waar de haard met water in contact kan komen.
- 1.5  **WAARSCHUWING! NIET BEDEKKEN**
Sta niet toe dat de haard afgedekt wordt of de luchtinlaat/afvoer verstopt kan raken omdat het apparaat dan kan oververhitten. Let op het waarschuwingssymbool op het apparaat (zie hierboven).
- 1.6 **Alleen voor gebruik binnenshuis.** Dit apparaat is niet geschikt voor gebruik buitenshuis.
- 1.7 Houd het elektriciteits snoer uit de buurt van hete oppervlakten en voorwerpen. Laat hetelektriciteits snoer niet langs de voorkant van het apparaat lopen.
- 1.8 Dit apparaat moet goed bevestigd zijn op of ingebouwd zijn in een platte, interne wand. Zorg ervoor dat meubels, gordijnen, etc. niet dichters dan 1m bij het apparaat in de buurt zijn.
- 1.9 Wanneer de haard geïnstalleerd is moet de stekker toegankelijk zijn.

- 1.10 Wanneer de elektriciteitskabel door een haardstede, stenen omhulsel, enz. geleid moet worden, zorg er dan voor dat er geschikte rubberen bescherming aangebracht wordt op de punten waar slijtage kan optreden.
- 1.11 Indien de elektriciteitskabel beschadigd is, gebruik het apparaat dan niet totdat het vervangen is. Om veiligheidsredenen moet Gazco, een Gazco servicebedrijf of een elektricien met een gelijksoortige ervaring de haard vervangen.
- 1.12 **WAARSCHUWING:** Om een gevaar veroorzaakt door het onachtzaam resetten van de thermische beveiliging te voorkomen, mag dit toestel niet worden gevoed door een extern schakelapparaat, zoals een timer, en niet worden aangesloten op een circuit dat geregeld wordt aan- en uitgeschakeld door de utiliteit.
- 1.13 Het apparaat niet gebruiken als het beschadigd is.
- 1.14 Reparatie van elektrische apparatuur mag alleen door een elektricien uitgevoerd worden. Mocht het apparaat niet functioneren, of in geval van schade, kunt u contact opnemen met de winkel waar het apparaat gekocht is.
- 1.15 Dit toestel kan worden gebruikt door kinderen van 8 jaar en ouder en door personen met verminderd lichamelijk, zintuiglijk of mentaal vermogen of met gebrek aan ervaring en kennis indien onder toezicht of met instructies betreffende het veilig gebruiken van het toestel en met kennis van mogelijke gevaren. Buiten bereik van kinderen onder de 3 jaar houden tenzij onder constant toezicht.

Kinderen tussen de 3 en 8 jaar mogen alleen het toestel aan-/uitschakelen ervan uitgaande dat deze is geplaatst of geïnstalleerd in zijn bedoelde normale werkpositie en onder toezicht of met instructies betreffende het veilig gebruiken van het toestel en met kennis van mogelijke gevaren. Kinderen tussen de 3 en 8 jaar mogen het toestel niet aansluiten, reguleren en schoonmaken of onderhoud uitvoeren.

Echter adviseert Gazco:

Dit apparaat is niet geschikt voor gebruik door personen jonger dan 12 jaar, personen met beperkte lichamelijke, sensorische of geestelijke vermogens of personen met gebrek aan ervaring en kennis over de veilige bediening van het apparaat.

Het apparaat kan worden bediend door personen vanaf 12 jaar onder voorwaarde dat zij zijn geïnstrueerd in het veilige gebruik van het apparaat en hebben begrepen wat de mogelijke gevaren zijn. Personen vanaf 12 jaar mogen het apparaat bedienen onder toezicht van een verantwoordelijke volwassene.

Delen van dit apparaat worden heet tijdens de werking en personen jonger dan 12 jaar mogen nooit alleen worden gelaten met het apparaat wanneer dit aan staat tenzij een geschikt brandscherm wordt gebruikt om hen te beschermen tegen mogelijk rechtstreeks contact met het apparaat.

Kinderen mogen niet spelen met het toestel.

Schoonmaken en gebruiksonderhoud mag niet worden uitgevoerd door kinderen zonder toezicht.

2. Bedieningsinstructies



WAARSCHUWING! Het apparaat niet gebruiken als het beschadigd of defect is. Als u vermoedt dat het apparaat beschadigd of defect is neem dan contact op met een bevoegde elektricien om het apparaat te laten inspecteren en, indien nodig, om delen van het elektrische systeem te laten vervangen voordat het opnieuw gebruikt wordt.

Koppel de stroom bij de netvoeding niet los terwijl het toestel draait. Gebruik de functies op de afstandsbediening om het vuur uit te schakelen en controleer of de hoofdschakelaar op de uit-positie staat vóór het loskoppelen.

ALGEMEEN

- 2.1 Het toestel kan worden bediend door de radiofrequentietelefoon of de handmatige bedieningen die zich aan de rechterkant van het kijkvenster bevinden.



OPMERKING: Om zowel afstandsbediening als handmatige functies te gebruiken, moet de handmatige AAN/UIT-schakelaar in de AAN-positie staan. Om te voorkomen dat het product te heet wordt, is er 10s vertraging wanneer de verhitte wordt ingeschakeld en 10s vertraging wanneer de luchtverhitte wordt uitgeschakeld.

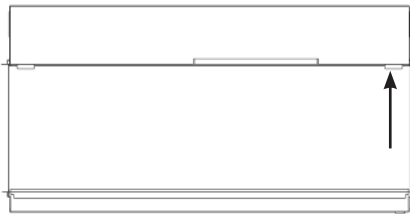
De handmatige basisfuncties met knopbediening, niet alle bedieningsmogelijkheden. Gebruik de bedieningstelefoon om alle functies te kunnen uitvoeren.

VOORBEREIDING VOOR HET GEBRUIK

Batterijen:

- 2.2 Zorg ervoor dat de batterijen nieuw zijn en op de juiste manier geplaatst zijn.
- 2.3 Wanneer u de batterijen vervangt, dient u ervoor te zorgen dat de gebruikte batterijen op de juiste manier tot afval worden verwerkt.

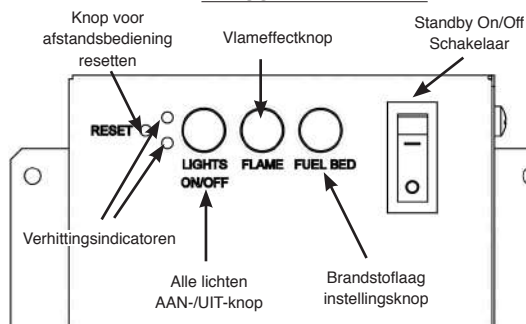
LOCATIE VAN DE BEDIENING



2a. Handmatig bedieningspaneel

- 2a.1 De handmatige toestelbedieningen bevinden zich bovenaan rechts op het toestel.
- 2a.2 Het toestel aanzetten met de hoofdschakelaar in de '—'-positie. Men hoort een lange piep.
- 2a.3 Druk op "LICHTEN AAN/UIT" om de vlam en het vuurbed tegelijkertijd in of uit te schakelen.
- 2a.4 Er zijn 3 vlam-kleuropties:
Druk op de "VLAM"-knop om de kleur van de vlam te selecteren of terug te keren naar de UIT-positie.
- 2a.5 Er zijn 14 types vuurbed:
Druk op de "VUURBED"-knop om de kleur van het vuurbed te selecteren of terug te keren naar de UIT-positie.

LAY-OUT KAN VARIËREN



Opmerking: Het toestel zal het geheugen voor lichtfuncties verliezen wanneer de schakelaar op de UIT-positie staat of de afstandsbediening leeg is.

Verwarmingsindicatoren (zie Afbeelding)

- 2a.6 Wanneer de luchtverhitter wordt gebruikt in combinatie met de vlam of met vuurbedeffecten zullen de verwarmingsindicatoren voor 10 seconden oplichten.

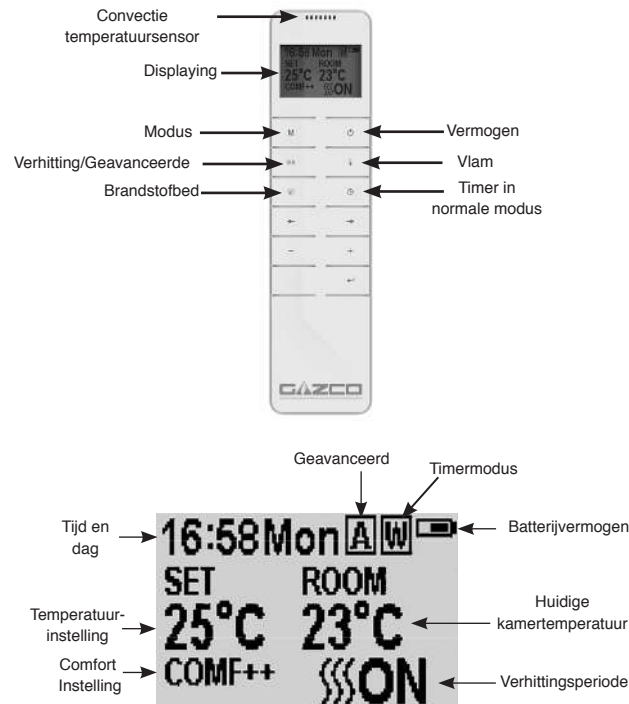
De LED's zullen voor 10 seconden oplichten als de vlam of het vuurbedeffect AAN is. Als de luchtverhitter onafhankelijk wordt gebruikt, zullen de verwarmingsindicatoren aan blijven.

Knop voor afstandsbediening resetten

- 2a.7 Als de telefoon signaal verliest of moet worden vervangen, zie de Onderhoudssectie voor meer informatie.

2b. Afstandsbedieningen

De afstandsbediening moet worden bewaard op een vlak oppervlak in de kamer waar het toestel is geïnstalleerd en weg van enige directe hete luchtstroom.



Signaalcode

- 2b.1 De afstandsbediening werkt op radiosignaal. De handzender is in de fabriek ingesteld met een unieke signaalcode.

BELANGRIJK: Als de telefoon signaal verliest of moet worden vervangen, zie de Onderhoudssectie voor meer informatie.



OPMERKING: De afstandsbediening heeft een batterijstatusindicator (rechtsboven in de hoek), na een lange periode van lege weergave zal het LED-scherm niet meer werken, ondanks dat de handset nog steeds opdrachten kan verzenden. Vervang de batterijen om het display te herstellen.

Schakel in/uit

- 2b.2 Druk op de knop om het vlameffect in te schakelen.
- 2b.3 Druk op de knop om alle functies uit te schakelen onder de normale verwarmingsbestuurmodus, inclusief vlameffect en luchtverhitter.
- 2b.4 Druk op de knop om het vlameffect onder de dagelijkse of wekelijkse timingverhittermodus uit te schakelen.

Week Dagen / Tijd / Comforttemperatuur en Eenheidsinstelling

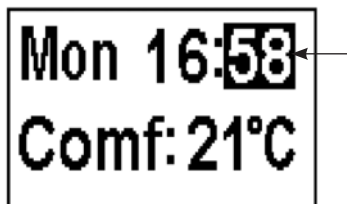
Bij activatie wordt aangeraden om de klok te resetten naar de juiste tijd om juistheid van werking van het apparaat te garanderen.

- 2b.5 Houd de **M** knop voor 3 seconden ingedrukt om naar het instellingscherm te gaan.

Gebruikershandleiding

- 2b.6 Druk op de '←' of de '→'-knop om de te wijzigen instelling te kiezen.

Het geselecteerde kenmerk wordt gemarkeerd, zie Afbeelding.



- 2b.7 Druk op de '+' of '-' knop om de waarde aan te passen.

Tijd: 24-uurssysteem.
Selecteer comforttemperatuur tussen 15-25°C.
Temperatuureenheid: °C/°F.

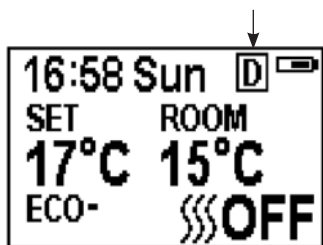
- 2b.8 Druk op de ↵-knop voor 3 seconden of wacht 10 seconden om op te slaan en de week-, tijd- en verhogingstemperatuurinstelling te verlaten.

Dagelijkse verhogingstimer

- 2b.9 De volgende verhittingsperiodes zijn ingesteld; deze kunnen indien gewenst worden aangepast:

06:00 tot 08:00
17:00 tot 22:00

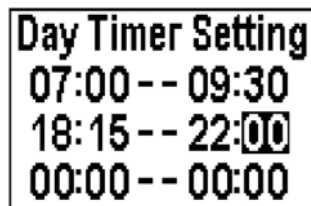
- 2b.10 Houd **M** ingedrukt tot **D** er rechtsbovenaan op het scherm toegang tot de dagelijkse verhogingstimermodus verschijnt.



- 2b.11 Houd de ↵-knop voor 6 seconden ingedrukt voor toegang tot de dagelijkse verhogingsinstelling. Een maximum van 3 verhittingsperiodes per dag kan worden ingesteld.

- 2b.12 Druk op '←' of '→' om uur of minuut te kiezen.

- 2b.13 Druk op '+' of '-' om de waarde in te stellen. De minuuttoename/-afname per 15 min per keer drukken.



- 2b.14 Houd de ↵-knop voor 3 seconden ingedrukt of wacht 10 seconden om op te slaan en de verhogingstijdperiodeinstelling te verlaten.

- 2b.15 Controleer de timerinstelling. Druk op ↵ om de dagelijkse timermodus te controleren.

- 2b.16 Als de verhoging moet worden uitgeschakeld, is het noodzakelijk om terug te gaan naar de normale bestuursmodus.

Als het toestel in de dagelijkse timermodus wordt uitgeschakeld met de afstandsbediening, zal de lichtuitvoer worden gestopt. De hitteuitvoer zal doorgaan afhankelijk van de timerinstellingen.

De ingestelde temperatuur aanpassen

- 2b.17 Druk op de '+'- of '-'-knop om de temperatuur op basis van de COMF-temperatuur te laten toe- of afnemen.

COMF geeft aan dat de huidige temperatuur gelijk is aan de ingestelde.

ECO geeft aan dat de huidige temperatuur 2°C lager is dan de ingestelde temperatuur.

ECO- betekent 4°C lager.

COMF+ betekent 2°C hoger.

COMF++ betekent 4°C hoger.

Aanpasbare startbesturing

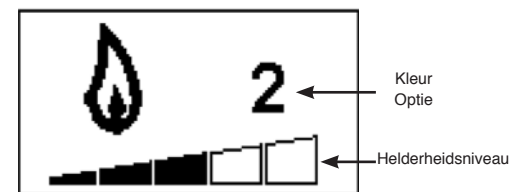
Overeenkomstig met de kamertemperatuur en de gewenste temperatuur, bepaalt de verhitter automatisch de geschikte opwarmtijd om te garanderen dat het de gewenste temperatuur bereikt binnen de ingestelde tijd (tot 45 minuten voor de ingestelde tijd).

Aanpassen vlamkleur

- 2b.18 Druk op de 🔥-knop voor toegang tot het vlamaanpassingsscherm.

Er zijn 3 vlamkleuropties, aangegeven door de getoonde waarde in Afbeelding.

Er zijn 6 helderheidsniveaus, inclusief 'uit'. Dit wordt aangegeven door de balk met de witte balk die 'uit' aangeeft, zie Afbeelding.




- 2b.19 Druk op de '←' of de '→'-knop om door de vlamkleuropties te gaan.

- 2b.20 Druk op de '+'-knop om de vlamhelderheid te verhogen.

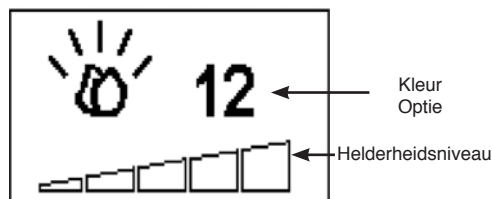
Druk op de '-'-knop om de vlamhelderheid te verlagen tot deze uit is.

Aanpassen vuurbedkleur

2b.21 Druk op  voor toegang tot het scherm voor aanpassen vuurbedkleur.

Er zijn 14 vuurbedkleuropties, aangegeven door de getoonde waarde in Afbeelding.

Er zijn 6 helderheidsniveau's, inclusief 'uit'. Dit wordt aangegeven door de balk met de witte balk die 'uit' aangeeft, zie Afbeelding.



2b.22 Druk op de '←' of de '→'-knop om door de vuurbedkleuropties te gaan.

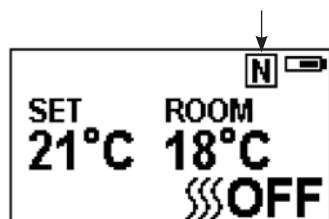
2b.23 Druk op de '+'-knop om de vuurbedhelderheid te verhogen.

Druk op de '-'-knop om de vuurbedhelderheid te verlagen tot deze uit is.

Normale besturingsmodus

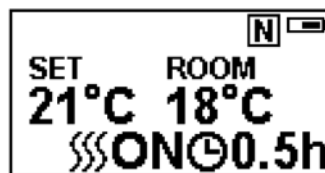
2b.24 De normale besturingsmodus is de standaardinstelling.

Houd als alternatief de **M** knop ingedrukt tot het **N** logo rechts bovenaan het scherm verschijnt, zie Afbeelding.



2b.25 Druk op de '+' of '-' knop om de temperatuurstelling van 17°C tot 25°C aan te passen.

2b.26 Druk op de **SSS A** knop om de warmte aan/uit te schakelen; in de rechter onderhoek van het scherm zal **SSS AAN** of **SSS UIT** worden getoond, zie Afbeelding.




Opmerking: Het is gebruikelijk dat de luchtverhitter stopt met draaien gedurende tijdsperiodes. Dit gebeurt als de kamertemperatuur hoger is dan de ingestelde temperatuur op de bediening.

De verhittingsindicator wordt uitgeschakeld na 10s als de vlam AAN staat. De verhittingsindicator blijft AAN als enkel de verhittingsfunctie wordt gebruikt.

Als in de normale bedieningsmodus het toestel met de afstandsbediening wordt uitgeschakeld, zullen zowel de licht- als warmteproductie stoppen.

Aftellingstimer




Deze instelling bestaat alleen in de normale bedieningsmodus bij verhitting. Dit maakt het mogelijk om het toestel in standby te zetten na een ingestelde tijdsperiode. De verhitter moet ingeschakeld zijn om deze functie te kunnen gebruiken.

2b.27 Druk op  om door de instelling te gaan van UIT en 0.5 uur tot 9 uur. Timerlogo en resterende tijd worden op het scherm getoond.

De verhitting van het toestel kan automatisch werken door de dagelijkse timer en de wekelijkse timer op de afstandsbediening te gebruiken.

Batterij

Het batterijniveau wordt aangegeven rechtsbovenin op het afstandbedieningsscherm, zie Afbeelding.

	Volle batterij	Geen handeling vereist
	Halfvolle batterij	Controleer of nieuwe batterijen aanwezig zijn.
	Lege batterij	Vervang batterijen onmiddellijk

Vervanging van batterij na 1 jaar wordt aangeraden. De afstandsbediening heeft twee 1.5V alkaline AAA-batterijen nodig.

Het vervangen van de batterijen beïnvloedt de timermodusinstellingen niet, maar misschien zal de klok moeten worden gelijk gezet.

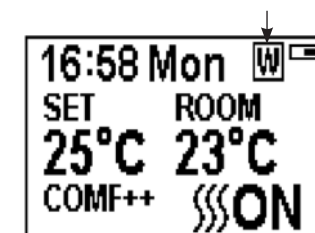
Verhitting wekelijkse timer


2b.28 De volgende verhittingsperiodes zijn ingesteld; deze kunnen worden gewijzigd indien gewenst:

Van maandag tot vrijdag
06:00 tot 08:30
17:00 tot 22:00

Van zaterdag tot zondag
06:30 tot 09:30
11:00 tot 13:00
17:00 tot 22:00


2b.29 Druk op **M** tot  wordt getoond rechtsbovenin in het scherm voor toegang tot de wekelijkse verhittingsmodus.

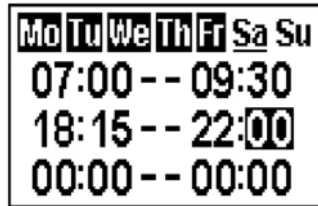



2b.30 Houd de  -knop voor 6 seconden ingedrukt voor toegang tot de instelling voor wekelijkse timer voor verhittingsmodus.

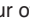

2b.31 Druk op '←' of '→' om de cursor (een knipperende onderstreep) te bewegen.

Gebruikershandleiding

- 2b.32 Druk op de -knop in de corresponderende weekpositie om de huidige instelling te selecteren (het kenmerk wordt gemarkeerd) of te annuleren (het kenmerk wordt normaal weergegeven); dezelfde tijdsperiode kan tegelijk worden geselecteerd.



- 2b.33 Druk op de -knop om de cursor naar het instellingsgebied van de tijdsperiode te bewegen.


- 2b.34 Druk op de  of de -knop om uur of minuut te bepalen.


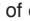

- 2b.35 Druk op '+' of '-' om de waarde te bepalen.

Een maximum van 3 verwarmingsperiodes per dag kan worden ingesteld.

Verhoging/verlaging van minuut per 15min per druk op de knop.

- 2b.36 Druk op  om de verwarmingstijd voor de geselecteerde dag in te stellen en terug te keren naar de weeklijn.

- 2b.37 Houd de -knop voor 3 seconden ingedrukt of wacht 10 seconden om op te slaan en de verwarmingstijdperiodeinstelling te verlaten.

- 2b.38 Druk op   of op  om de timerinstelling voor de verwarmingsmodus van de weektimer te controleren.

- 2b.39 Als de verwarming moet worden uitgeschakeld, is het noodzakelijk om terug te gaan naar de normale bestuursmodus.

Als in de wekelijkse timermodus het toestel door de afstandsbediening wordt uitgeschakeld, zal de lichtuitvoer stoppen. De hitteuitvoer zal doorgaan afhankelijk van de timerinstellingen.

De ingestelde temperatuur aanpassen

- 2b.40 Druk op de '+'- of '-'-knop om de temperatuur op basis van de COMF-temperatuur te laten toe- of afnemen.

COMF geeft aan dat de huidige temperatuur gelijk is aan de ingestelde.

ECO geeft aan dat de huidige temperatuur 2°C lager is dan de ingestelde temperatuur.

ECO- betekent 4°C lager.

COMF+ betekent 2°C hoger.

COMF++ betekent 4°C hoger.

Aanpasbare startbesturing

Overeenkomstig met de kamertemperatuur en de gewenste temperatuur, bepaalt de verhitter automatisch de geschikte opwarmtijd om te garanderen dat het de gewenste temperatuur bereikt binnen de ingestelde tijd (tot 45 minuten voor de ingestelde tijd).

Geavanceerde modus

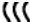

- 2b.41 De verwarmingstoestand kan worden verlengd tot de volgende periode bij zowel de dagelijkse als wekelijkse timerverwarmingsmodus.



Als de verhitter aan is tijdens de huidige periode, zal op de knop drukken de verhitter uitschakelen.

Als de verhitter uit is tijdens de huidige periode, zal op de knop drukken de verhitter inschakelen.

Of de huidige verwarming aan/uit is hangt ook af van de kamertemperatuur en de ingestelde temperatuur.

- 2b.42 Druk op  voor toegang tot de geavanceerde modus onder de dagelijkse en wekelijkse timerverwarmingsmodus,  die zal worden getoond rechtsboven in het scherm.

- 2b.43 Druk  nogmaals of de timerperiode zal de geavanceerde modus beëindigen.

Detecteren van open raam

- 2b.44 Als de zender een sterke daling in kamertemperatuur waarneemt, zal dit worden opgevat als een open raam: het waarschuwingsicoon zal worden weergegeven en de verhitter zal automatisch worden uitgeschakeld.



- 2b.45 Na stijging van de binnentemperatuur of door handmatige ingreep (door de afstandsbediening te bedienen), zal het toestel terugkeren naar normaal functioneren.

3. Trento Moduleconfiguratie

Raadpleeg a.u.b. de Trento Moduleconfiguratie-instructies PR2453EU.

4. Reiniging

- 4.1 **DE STEKKER ALTIJD UIT HET STOPCONTACT HALEN VOORDAT ER REINIGINGSWERZAAMHEDEN OF ONDERHOUDSWERKZAAMHEDEN UITGEVOERD WORDEN.**

ALGEMEEN REINIGING

- 4.2 De buitenkant alleen schoonmaken wanneer deze koud is. Geen schurende reinigingsmiddelen gebruiken.

REINIGING VOORZIJDEN

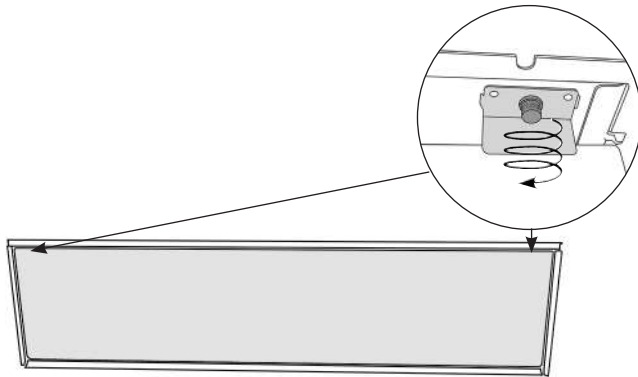
- 4.3 Maak het kijkvensterpaneel schoon met een vochtige doek en veeg af met een pluisvrije stofdoek.

Waarschuwing: Geen schurende reinigingsmiddelen op het glaspaneel gebruiken. Spuit geen vloeistoffen rechtstreeks op het oppervlak van de unit spuiten.

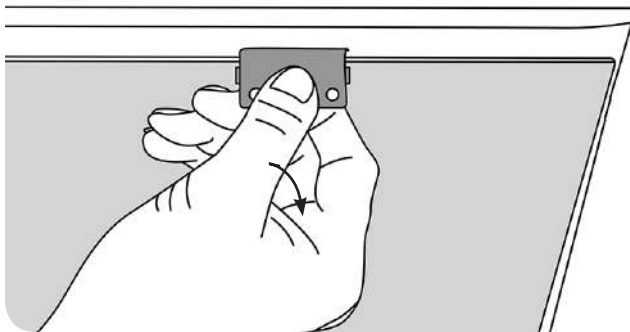
HET SCHOONMAKEN VAN DE BRANDSTOF EFFECT

Om het brandstofeffect te openen, is het nodig om het glazen kijkpaneel te verwijderen.

- 4.4 Zorg ervoor dat de stekker niet meer in het stopcontact steekt.
- 4.5 Er zit een klem aan de bovenkant van elke hoek van het glazen kijkpaneel, die het glas op zijn plaats houden, zie Afbeelding.



- 4.6 Ondersteun het glas, haal de 2 klemmen los en verwijder deze. Deze kunnen gewoon met de vingers worden losgemaakt.
- 4.7 Tik het glas voorzichtig naar voren en til het uit de onderste tray om deze van het apparaat te halen, zie Afbeelding.



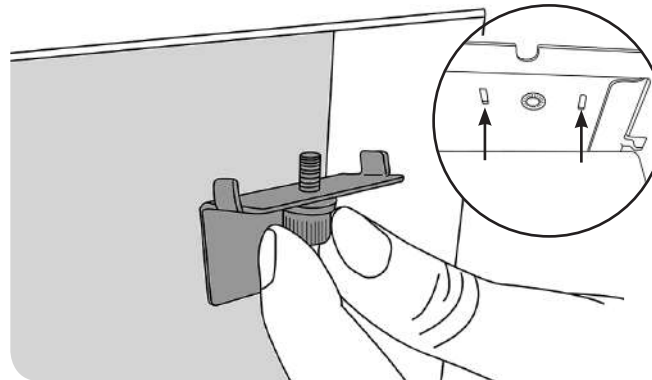
Er is nu toegang tot het brandstofeffect.

- 4.8 Verwijder en was het brandstofeffect om stofdeeltjes te verwijderen. Kan ook met een lintvrije duster worden gereinigd. **Zorg ervoor dat het effect droog is, voordat deze wordt teruggeplaatst.**

Vervang het brandstofeffect, zie Installatieinstructies voor schema.

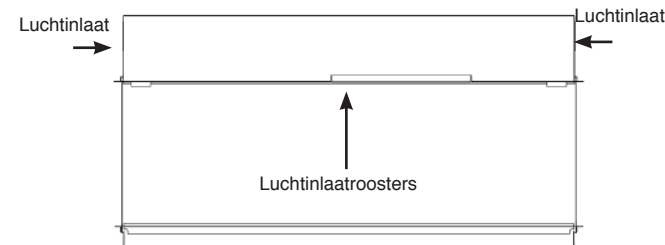
- 4.9 Breng het glas weer aan door de instructies in omgekeerde volgorde op te volgen.

Zorg er bij het plaatsen van de klemmen voor dat de lippen op de klemmen in de sleuven op het apparaat zitten, zie Afbeelding.



LUCHTINLATEN REINIGEN

- 4.10 Zorg ervoor dat de stekker niet meer in het stopcontact steekt.
- 4.11 Maak de luchtinlaat en de luchtinlaatroosters regelmatig met een zachte doek of het mondstuk van een stofzuiger schoon.



Opgehoopt stof zal het vrijelijk bewegen van de ventilator beperken en kan ertoe leiden dat het beveiligingsmechanisme in werking treedt.

- 4.12 Houd het gebied rond de haard schoon en vrij van pluïjsjes, stof of haren van huisdieren.
- 4.13 Stof enz. kan zich vooral verzamelen rond het verwarmingsgebied bovenaan het apparaat. Zorg er regelmatig voor dat dit gebied geen van deze stofdeeltjes bevat, zodat een opeenhoping voorkomen wordt.

BATTERIJEN VERVANGEN

- 4.14 Wanneer de externe batterij laag is, moet ze onmiddellijk worden vervangen. Installeer de vervangingsbatterij correct en gooi de oude batterij weg bij een recyclingbedrijf.

Istruzioni Per L'utente

IMPORTANTE

**LA GRIGLIA DI USCITA DEL RISCALDATORE DIVENTA BOLLENTE DURANTE L'USO.
NON COPRIRE LA GRIGLIA DI USCITA NÉ ALCUNA PARTE DELL'APPARECCHIO.**


Da usare solo con alimentazione elettrica da 230 V, 50Hz.

Leggere attentamente queste istruzioni prima dell'installazione e conservarle in un luogo sicuro.

poiché saranno necessarie al momento di eseguire riparazioni o manutenzione.

QUESTO APPARECCHIO DEVE ESSERE PROVVISORIO DI MESSA A TERRA

1. Informazioni Importanti E Salute E Sicurezza

- 1.1 **Leggere attentamente tutte le istruzioni prima di utilizzare l'apparecchio.**
- 1.2 **Rimuovere tutti gli imballaggi e smaltirli presso un'appropriata struttura di riciclaggio.**
- 1.3 Non posizionare l'apparecchio subito sotto una presa di corrente fissa.
- 1.4 Non utilizzare questo apparecchio nelle immediate vicinanze di una vasca da bagno, di una doccia, di una piscina o in altre aree in cui potrebbe venire a contatto con acqua o umidità, ad esempio la stanza da bagno.
- 1.5  **ATTENZIONE! NON COPRIRE**
Non coprire l'apparecchio né ostruire la presa o l'uscita dell'aria, per evitare il surriscaldamento dell'apparecchio. Osservare il simbolo di avviso sull'apparecchio (vedere sopra).
- 1.6 **Solo per uso interno.** Questo apparecchio non è adatto all'uso in aree esterne alla casa.
- 1.7 Tenere il cavo di alimentazione lontano da superfici calde e condizioni di calore. Non posizionare il cavo di fronte all'apparecchio.

- 1.8 Questo apparecchio deve essere fissato in maniera stabile o inserito in una nicchia di una parete interna piatta. Assicurarsi che i mobili, le tende e così via si trovino a più di 1 metro dall'apparecchio.
- 1.9 Una volta installato il caminetto, deve essere possibile accedere alla spina.
- 1.10 Se il cavo dell'alimentazione elettrica deve passare attraverso un camino, un rivestimento in pietra e così via, assicurarsi che vengano installate delle protezioni di gomma nei possibili punti di usura.
- 1.11 Se il cavo di alimentazione è danneggiato, non utilizzare l'apparecchio finché non viene sostituito. Per motivi di sicurezza, la sostituzione deve essere effettuata da un responsabile dell'assistenza Gazco o da un elettricista con una qualifica simile.
- 1.12 **ATTENZIONE:** Per evitare un pericolo dovuto al ripristino involontario dell'interruttore termico, questo apparecchio non deve essere alimentato tramite un dispositivo di commutazione esterno, ad esempio un timer, o collegato a un circuito di comando accensione e spegnimento.
- 1.13 Non utilizzare l'apparecchio se danneggiato.
- 1.14 La riparazione delle apparecchiature elettroniche deve essere eseguita solo da un elettricista. In caso di mancato funzionamento dell'apparecchio o in caso di danni, contattare il rivenditore presso il quale è stato acquistato.
- 1.15 Questo apparecchio può essere utilizzato da bambini di età superiore a 8 anni e persone con ridotte capacità fisiche, sensoriali o mentali o mancanza di esperienza e conoscenza, solo se supervisionati o istruiti sull'uso dell'apparecchio in modo sicuro e se comprendono i rischi che corrono. I bambini di età inferiore ai 3 anni devono essere tenuti lontani a meno che non siano costantemente supervisionati.
- I bambini di età compresa tra 3 anni e meno di 8 anni possono accendere/spegnere l'apparecchio solo se questo è stato collocato o installato nella normale posizione operativa prevista e se sono sorvegliati o istruiti sull'uso dell'apparecchio in modo sicuro e se comprendono i rischi che corrono. I bambini di età compresa tra 3 anni e meno di 8 anni non possono collegare, regolare, pulire l'apparecchio né eseguire interventi di manutenzione.

Tuttavia Gazco consiglia:

Questo elettrodomestico non è progettato per essere utilizzato da minori di 12 anni, da persone con capacità fisiche, sensoriali o mentali ridotte o da persone che non hanno l'esperienza o le conoscenze necessarie per mettere in funzione l'elettrodomestico in maniera sicura.

Questo elettrodomestico può essere utilizzato da maggiori di 12 anni purché siano stati istruiti in merito all'utilizzo sicuro dell'elettrodomestico e comprendano i possibili rischi. I minori di 12 anni possono utilizzare questo elettrodomestico purché siano supervisionati da un adulto responsabile.

Alcune componenti di questo elettrodomestico diventano calde in seguito all'utilizzo e in nessun caso i minori di 12 anni devono essere lasciati da soli con il prodotto quando questo è in funzione, a meno che non venga utilizzato un parafuoco idoneo allo scopo di proteggerli dalla possibilità di entrare a diretto contatto con l'elettrodomestico.

I bambini non devono giocare con l'apparecchio.

La pulizia e la manutenzione dell'utente non devono essere eseguite da bambini senza supervisione.

2. Istruzioni Di Funzionamento



ATTENZIONE! Non utilizzare l'apparecchio se danneggiato o se non funziona correttamente. Se si sospetta che l'apparecchio sia danneggiato o che non abbia funzionato correttamente, contattare un tecnico dell'assistenza qualificato per far eseguire un'ispezione e sostituire le parti dell'impianto elettrico se necessario, prima di riutilizzarlo.

Non scollegare l'alimentazione alla rete elettrica mentre l'apparecchio è in funzione. Utilizzare le funzioni del telecomando per spegnere il fuoco e assicurarsi che l'interruttore di isolamento sia stato spostato in posizione di spegnimento prima di scollegarlo.

GENERALE

- 2.1 L'apparecchio può essere azionato dal ricevitore a radiofrequenza o dai comandi manuali situati sul lato destro della finestra di visualizzazione.



NOTA: Per utilizzare entrambe le funzioni remota e manuale, l'interruttore di accensione/spegnimento manuale deve essere in posizione "ON". Per evitare che il prodotto diventi troppo caldo, si verifica un ritardo di 10 secondi all'accensione del riscaldatore e un ritardo di 10 secondi quando si spegne la ventola del riscaldatore.

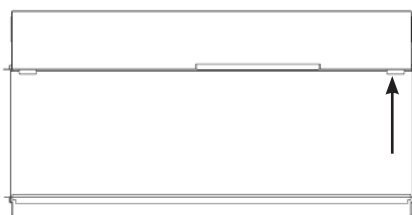
Il pulsante manuale controlla le funzioni di base, non una gamma completa di controlli. Utilizzare il telecomando per eseguire tutte le funzioni.

PREPARAZIONE PRIMA DELL'USO

Pile:

- 2.2 Assicurarsi che le pile del telecomando siano nuove e correttamente inserite.
- 2.3 Smaltire le pile vecchie presso una struttura di riciclaggio appropriata.

POSIZIONE DELL'INTERRUTTORE



2a. Pannello comando manuale

- 2a.1 I comandi manuali sull'apparecchio si trovano nella parte superiore destra dell'apparecchio.
- 2a.2 Accendere l'apparecchio con l'interruttore di alimentazione principale in posizione "-". Si sentirà un lungo bip.

- 2a.3 Premere "LIGHTS ON/OFF" per accendere o spegnere contemporaneamente la fiamma e il crogiolo di combustione.

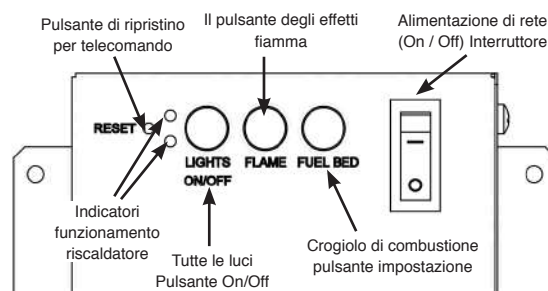
- 2a.4 Ci sono 3 opzioni di colore della fiamma:

Premere il pulsante "FLAME" per selezionare il colore della fiamma o tornare alla posizione OFF.

- 2a.5 Ci sono 14 tipi di crogiolo di combustione:

Premere il pulsante "FUEL BED" per selezionare il colore del crogiolo di combustione o tornare alla posizione OFF.

IL LAYOUT PUÒ VARIARE



Nota: L'apparecchio perderà la memoria per le funzioni di illuminazione quando l'interruttore è impostato su Off o si scaricano le batterie del telecomando.

Indicatori di funzionamento del riscaldatore (vedere la figura)

- 2a.6 Quando il termoventilatore viene utilizzato in combinazione con gli effetti della fiamma o del crogiolo di combustione, gli indicatori di funzionamento del riscaldatore si accendono per 10 secondi.

I LED si accendono per 10 secondi quando l'effetto fiamma o il crogiolo di combustione vengono accesi.

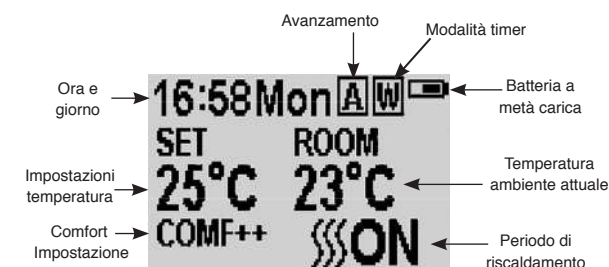
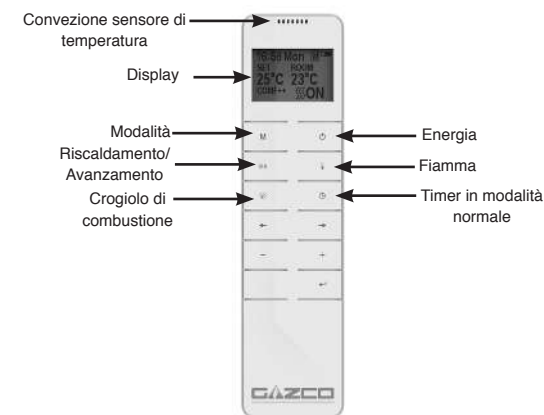
Se il termoventilatore viene utilizzato in modo indipendente, gli indicatori di funzionamento del riscaldatore rimangono accesi.

Pulsante di ripristino per telecomando

- 2a.7 **Se il telecomando perde il segnale o deve essere sostituito, per informazioni più dettagliate, consultare la sezione manutenzione.**

2b. Comandi a distanza

Il telecomando deve essere lasciato su una superficie piana nella stanza in cui è installato l'apparecchio e lontano da qualsiasi flusso diretto di aria calda.



Codice di segnale

- 2b.1 Il telecomando funziona tramite segnale radio. Il trasmettitore manuale è configurato in fabbrica con un codice di segnale unico.



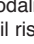
IMPORTANTE: Se il telecomando perde il segnale o deve essere sostituito, per informazioni più dettagliate, consultare la sezione manutenzione.



NOTA: il telecomando è dotato di indicatore di stato della batteria (angolo in alto a destra), dopo un periodo di inattività, lo schermo LED smetterà di funzionare anche se il telecomando resterà in grado di inviare comandi Sostituire le batterie per ripristinare il display.

Istruzioni Per L'utente

Accensione/spengimento

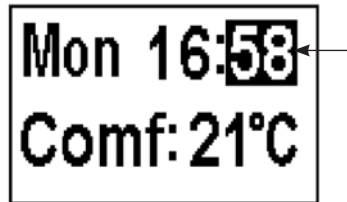
- 2b.2 Premere il  pulsante per accendere l'effetto fiamma.
- 2b.3 Premere il  pulsante per disattivare tutte le funzioni nella normale modalità di controllo del riscaldamento, inclusi l'effetto fiamma ed il riscaldatore della ventola.
- 2b.4 Premere il  pulsante per disattivare l'effetto fiamma in modalità riscaldamento giornaliero e settimanale.

Giorni della settimana/ora/temperatura comfort e impostazione unità

All'attivazione si consiglia di ripristinare l'orologio all'orario corretto per garantire la precisione di funzionamento dell'apparecchio.


- 2b.5 Tenere premuto il **M** pulsante per 3 secondi per accedere alla schermata impostazioni.
- 2b.6 Premere il pulsante '←' o '→' per scegliere l'impostazione da modificare.

Il carattere selezionato verrà evidenziato, vedere la figura.



- 2b.7 Premere il pulsante '+' o '-' per regolare il numero.

Schema orario: sistema 24 ore.
Selezionare una temperatura comfort da 15 a 25°C.
Unità temperatura: °C/°F.

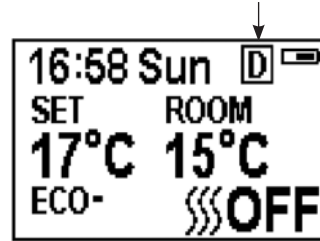
- 2b.8 Premere il pulsante  per 3 secondi o attendere 10 secondi per salvare e uscire dalla settimana, dall'ora e dall'impostazione della temperatura.


Timer giornaliero riscaldamento

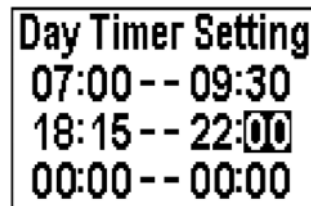
- 2b.9 Sono stati preimpostati i seguenti periodi di riscaldamento, che possono essere modificati se lo si desidera:



dalle ore 06:00 alle 08:00
dalle ore 17:00 alle 22:00

- 2b.10 Premere **M** fino a **D** visualizzare l'angolo in alto a destra dello schermo per accedere al timer giornaliero della modalità di riscaldamento.



- 2b.11 Tenere premuto il  pulsante per 6 secondi per accedere all'impostazione riscaldamento giornaliero. È possibile impostare un massimo di 3 periodi di riscaldamento programmati al giorno.
- 2b.12 Premere '←' o '→' per scegliere ore o minuti.
- 2b.13 Premere '+' o '-' per regolare il numero. Ad ogni pressione si ha un incremento/decremento di 15 minuti.



- 2b.14 Premere il pulsante  per 3 secondi o attendere 10 secondi per salvare e uscire dall'impostazione del periodo di riscaldamento.
- 2b.15 Controllare l'impostazione del timer. Premere  per controllare la modalità giornaliera del timer.
- 2b.16 Se è necessario spegnere il riscaldamento, sarà necessario tornare alla modalità di controllo normale.

Quando si spegne l'apparecchio mentre si trova in modalità timer giornaliero con il telecomando si interrompe l'emissione di luce. L'uscita di calore continuerà secondo le impostazioni del timer.

Regolazione della temperatura impostata

- 2b.17 Premere il pulsante '+' o '-' per aumentare o diminuire la temperatura sulla base della temperatura COMF.

COMF indica che la temperatura effettiva corrisponde a quella dell'impostazione.

ECO significa che la temperatura attuale è inferiore di 2°C rispetto alla temperatura impostata.

ECO- significa 4°C in meno.


COMF+ significa 2°C in più.

COMF++ significa 4°C in più.

Controllo di avvio adattivo

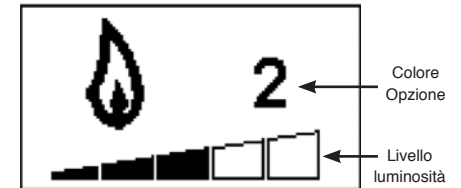
In base alla temperatura ambiente e alla temperatura impostata, il riscaldatore determina automaticamente il tempo di riscaldamento appropriato per garantire che raggiunga la temperatura impostata nel tempo impostato (fino a 45 minuti prima del tempo impostato).

Regolazione del colore della fiamma

- 2b.18 Premere il  pulsante per accedere alla schermata di regolazione della fiamma.

Ci sono 3 opzioni di colore della fiamma, indicate dal numero mostrato nel figura.

Ci sono 6 livelli di luminosità, incluso spento. Questo è indicato dalla barra, con la barra vuota che indica spegnimento, vedere la figura.



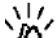
- 2b.19 Premere il pulsante '←' o '→' per scorrere ciclicamente le opzioni del colore della fiamma.

- 2b.20 Premere il pulsante '+' per aumentare la luminosità della fiamma.

Premere il pulsante '-' per ridurre la luminosità della fiamma.

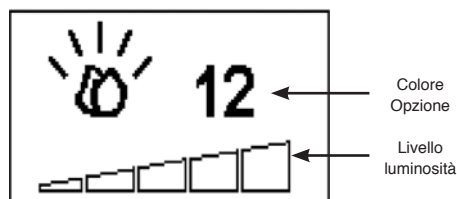
Istruzioni Per L'utente

Regolazione colore del crogiolo di combustione

2b.21 Premere  per accedere alla schermata di regolazione luce crogiolo di combustione.

Ci sono 14 opzioni di colore crogiolo di combustione, indicate dal numero mostrato nel figura.

Ci sono 6 livelli di luminosità, incluso spento. Questo è indicato dalla barra, con la barra vuota che indica spegnimento, vedere la figura.



2b.22 Premere il pulsante '←' o '→' per scorrere ciclicamente le opzioni del colore del crogiolo di combustione.

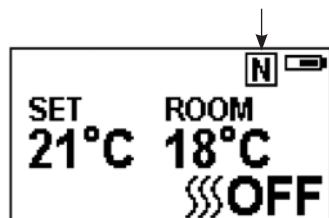
2b.23 Premere il pulsante '+' per aumentare la luminosità del crogiolo di combustione.

Premere il pulsante '-' per ridurre la luminosità del crogiolo di combustione fino a spegnere.

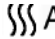
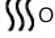

Modalità di controllo normale

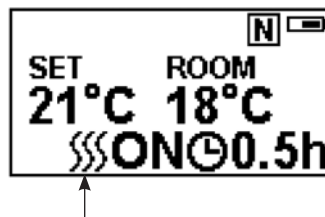
2b.24 L'impostazione di default è la modalità di controllo normale.

In alternativa premere il pulsante **M** fino a visualizzare il **N** logo nell'angolo in alto a destra dello schermo, vedere la figura.



2b.25 Premere il pulsante '+' o '-' per regolare la temperatura impostata da 17°C a 25°C.

2b.26 Premere il pulsante  **A** per accendere/spegnere il riscaldamento, nell'angolo in basso a destra comparirà  ON o  OFF, vedere il Figura.




Nota: È normale che il termoventilatore smetta di funzionare per dei periodi di tempo. Ciò accade se la temperatura della stanza è superiore alla temperatura impostata sul controllo.

L'indicatore del riscaldatore si spegne dopo 10 secondi se la fiamma è accesa. L'indicatore del riscaldatore rimarrà acceso se viene utilizzata solo la funzione di riscaldamento.

Se si spegne l'apparecchio con il telecomando mentre si trova in modalità di controllo normale, si interrompe l'emissione di luce e di calore.

Conto alla rovescia




Questa impostazione è solo nella normale modalità di controllo del riscaldamento. Consente all'apparecchio di tornare in standby dopo un determinato periodo di tempo. Il riscaldatore deve essere acceso per utilizzare questa funzione.

2b.27 Premere  per scorrere in modo ciclico tra le impostazioni a partire da Off e da 0,5 ore a 9 ore. Il logo del timer e il tempo rimanente verranno visualizzati sullo schermo.

Il riscaldatore dell'apparecchio può essere avviato automaticamente utilizzando il timer giornaliero e il timer settimanale sul telecomando.

Pila

Il livello di carica della batteria è indicato in alto a destra nella schermata del telecomando, vedere la figura.

	Batteria carica	Nessuna azione richiesta
	Batteria a metà carica	Assicurarsi che siano disponibili nuove batterie.
	Batteria scarica	Sostituire immediatamente le batterie

Si consiglia di sostituire le batterie dopo 1 anno. Il telecomando richiede due batterie AAA alcaline da 1,5 V.


La modifica delle batterie non influirà sulle impostazioni della modalità del timer, tuttavia potrebbe essere necessario regolare l'orologio.

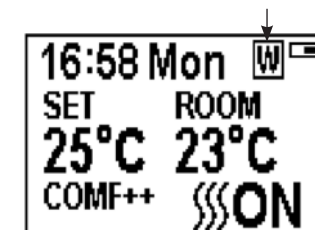
Timer settimanale riscaldamento


2b.28 Sono stati preimpostati i seguenti periodi di riscaldamento, che possono essere modificati se lo si desidera:

Da lunedì a venerdì
dalle ore 06:00 alle 08:30
dalle ore 17:00 alle 22:00

Da sabato a domenica
dalle ore 06:30 alle 09:30
dalle ore 11:00 alle 13:00
dalle ore 17:00 alle 22:00


2b.29 Premere **M** fino a  visualizzare l'angolo in alto a destra dello schermo per accedere al timer settimanale della modalità di riscaldamento.

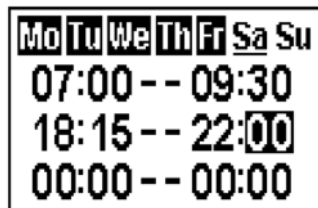


2b.30 Tenere premuto il  pulsante per 6 secondi per accedere all'impostazione timer settimanale riscaldamento.

2b.31 Premere '←' o '→' per spostare il cursore (una sottolineatura lampeggiante).

Istruzioni Per L'utente

- 2b.32 Premere il pulsante  nella posizione della settimana corrispondente per selezionare (il carattere è evidenziato) o annullare (il carattere viene visualizzato normalmente) l'impostazione corrente, contemporaneamente può essere selezionato lo stesso periodo.




- 2b.33 Premere il pulsante '→' per spostare il cursore sull'area di impostazione del periodo di tempo.


- 2b.34 Premere '←' o '→' per scegliere ore o minuti.


- 2b.35 Premere '+' o '-' per regolare il numero.

È possibile impostare un massimo di 3 periodi di riscaldamento programmati al giorno.

Ad ogni pressione si ha un incremento/decremento di 15 minuti.

- 2b.36 Premere  per impostare il periodo di riscaldamento per il giorno selezionato e tornare alla riga della settimana.

- 2b.37 Premere il pulsante  per 3 secondi o attendere 10 secondi per salvare e uscire dall'impostazione del periodo di riscaldamento.

- 2b.38 Premere  '←' o '→' per controllare l'impostazione del timer per la modalità di riscaldamento del timer settimanale.

- 2b.39 Se è necessario spegnere il riscaldamento, sarà necessario tornare alla modalità di controllo normale.

Se si spegne l'apparecchio con il telecomando mentre si trova in modalità timer settimanale, si interrompe l'emissione di luce. L'uscita di calore continuerà secondo le impostazioni del timer.

Regolazione della temperatura impostata

- 2b.40 Premere il pulsante '+' o '-' per aumentare o diminuire la temperatura sulla base della temperatura COMF.

COMF indica che la temperatura effettiva corrisponde a quella dell'impostazione.

ECO significa che la temperatura attuale è inferiore di 2°C rispetto alla temperatura impostata.

ECO- significa 4°C in meno.

COMF+ significa 2°C in più.

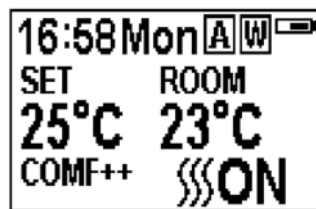
COMF++ significa 4°C in più.

Controllo di avvio adattivo

In base alla temperatura ambiente e alla temperatura impostata, il riscaldatore determina automaticamente il tempo di riscaldamento appropriato per garantire che raggiunga la temperatura impostata nel tempo impostato (fino a 45 minuti prima del tempo impostato).

Modalità avanzata

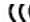

- 2b.41 Lo stato di riscaldamento può essere anticipato fino al periodo successivo sia in modalità riscaldamento giornaliero che settimanale.

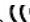


Se il riscaldatore è acceso nel periodo corrente, premendo il pulsante si spegne il riscaldatore.

Se il riscaldatore è spento nel periodo corrente, premendo il pulsante si accende il riscaldatore.

Che il riscaldamento effettivo sia acceso/spento dipende anche dalla temperatura della stanza e dalla temperatura impostata.

- 2b.42 Se si preme  per accedere alla modalità avanzata in modalità di riscaldamento del timer giornaliero e settimanale, apparirà nell'angolo in alto a destra dello schermo .

- 2b.43 Premere  di nuovo, altrimenti allo scadere del tempo del timer si uscirà dalla modalità avanzata.

Finestra di rilevamento aperta

- 2b.44 Quando il trasmettitore rileva un rapido calo della temperatura ambiente, verrà considerata come una finestra aperta: verrà visualizzata l'icona di avviso e il riscaldamento si spegnerà automaticamente.



- 2b.45 Dopo l'aumento della temperatura interna o l'intervento manuale (azionando il telecomando), si tornerà al normale stato di funzionamento.

3. Suite modulare Trento

Fare riferimento alle istruzioni della Suite modulare di Trento PR2453EU.

4. Manutenzione

- 4.1 **SCOLLEGARE SEMPRE DALLA RETE ELETTRICA PRIMA DI PULIRE O DI ESEGUIRE QUALSIASI TIPO DI MANUTENZIONE.**

PULIZIA GENERALE

- 4.2 Pulire solo l'involucro esterno quando l'apparecchio è freddo. Non usare detergenti abrasivi.

PULIZIA DEL VETRO

- 4.3 Passare un panno umido sul pannello in vetro e lucidare con un panno senza pelucchi.

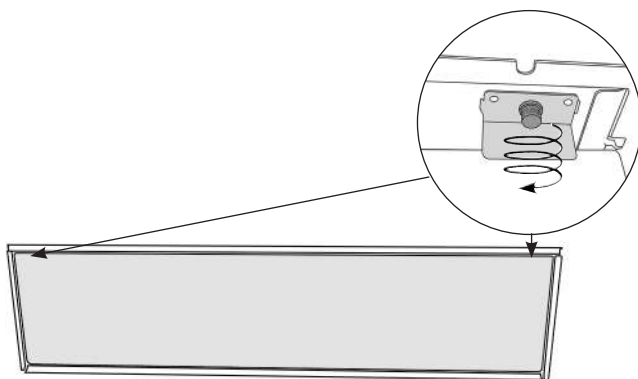
Attenzione: non utilizzare detergenti abrasivi sul pannello in vetro. Non spruzzare direttamente liquidi su nessuna superficie dell'unità.

Istruzioni Per L'utente

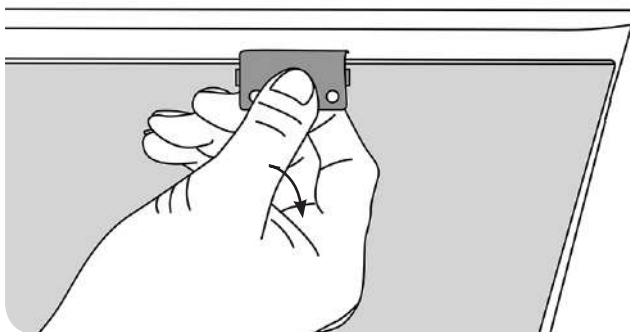
PULIZIA DEL CARBURANTE EFFETTO

Per accedere all'effetto combustibile si deve rimuovere la finestrella di vetro.

- 4.4 Assicurarsi che l'apparecchio sia scollegato dalla rete elettrica.
- 4.5 C'è un morsetto su ogni angolo della finestrella di vetro che fissa il vetro in posizione, vedere la figura.



- 4.6 Tenendo il vetro, allentare e togliere i 2 morsetti. Questi possono essere svitati con i polpastrelli.
- 4.7 Piegarlo con attenzione in avanti il vetro e sollevare verso l'esterno il vassoio inferiore per toglierlo dall'apparecchio vedere la figura.



Si può ora accedere all'effetto combustibile

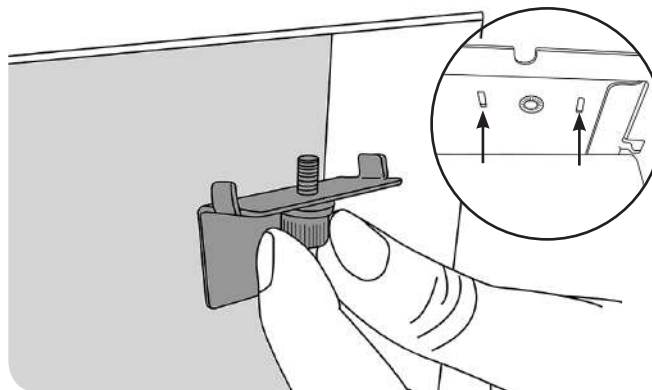
- 4.8 Togliere e lavare l'effetto combustibile per rimuovere qualsiasi particella di polvere. In alternativa pulire con un piumino che non lasci residui.

Assicurarsi che l'effetto sia asciutto prima di rimetterlo.

Sostituire l'effetto combustibile, vedere Istruzioni per l'installazione Sezione per la disposizione.

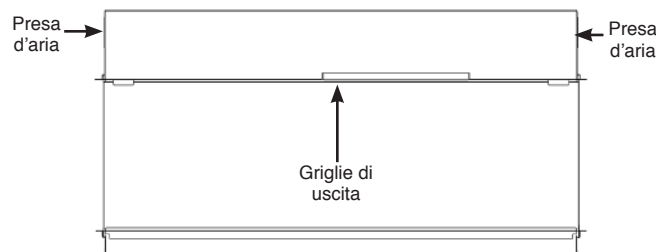
- 4.9 Rimettere il vetro seguendo le istruzioni in ordine inverso.

Quando si rimettono i morsetti, assicurarsi che le linguette sui morsetti si posizionino sulle fessure sull'apparecchio, vedere la figura.



PULIZIA DELLE PRESE D'ARIA

- 4.10 Assicurarsi che l'apparecchio sia scollegato.
- 4.11 Pulire regolarmente la presa d'aria e le griglie di uscita con un panno morbido o con il becco dell'aspirapolvere.



Gli accumuli di polvere possono impedire il corretto funzionamento della ventola e causare l'attivazione dell'interruttore di sicurezza.

- 4.12 Tenere l'area intorno all'apparecchio pulita e libera da lanugine, polvere o peli di animali.
- 4.13 In particolare, è possibile che si formino degli accumuli di polvere, ecc. attorno all'area del riscaldatore in cima all'elettrodomestico. Prestare particolare attenzione a mantenere quest'area regolarmente libera da tali particelle per impedire gli accumuli.

SOSTITUZIONE DELLE PILE

- 4.14 Quando la pila del telecomando è quasi completamente scarica, dev'essere sostituita immediatamente. Inserire una nuova pila compatibile e disporre della vecchia pila negli appositi contenitori di raccolta differenziata.

Brukerinstruksjoner

VIKTIG

**RILLENE FORAN VARMEUTTAKET BLIR VELDIG VARME UNDER BRUK.
IKKE DEKK TIL RILLENE ELLER NOEN ANNEN DEL AV APPARATET.**


Kun for bruk med 230 V 50Hz strømtilførsel.

Vennligst les disse instruksjonene nøye før bruk og oppbevar dem på et trygt sted.

Det vil bli bruk for dem når det skal utføres service eller vedlikehold på enheten.

DENNE PEISEN MÅ TILKOBLES JORD

1. Viktig Informasjon Helse Og Sikkerhet

- 1.1 Les alle instruksjonene nøye før du tar i bruk peisen.
- 1.2 Fjern all emballasje og sørg for å avhende emballasjen på en gjenvinningsstasjon.
- 1.3 Ikke plasser denne peisen umiddelbart rett under et strømkontakt.
- 1.4 Ikke bruk peisen i nærheten av bad, dusj, svømmebasseng eller annet område der peisen kan komme i kontakt med vann eller fuktighet, f.eks. i baderom.
- 1.5  **ADVARSEL! IKKE DEKK TIL**
Ikke la peisen bli tildekket eller la luftinntak-/avløp bli hindret da dette kan føre til overoppheting. Vennligst merk deg advarselssymbolet på peisen (se over).
- 1.6 **Kun for innendørs bruk.** Peisen er ikke egnet for bruk utenfor huset.
- 1.7 Hold strømledningen unna varme overflater og varme generelt. Ikke legg strømledningen foran peisen.
- 1.8 Dette apparatet må festes godt på eller innfelt i, en flat innervegg. Påse at møbler, gardiner osv. ikke er plassert nærmere enn 1 m fra apparatet.
- 1.9 Når den elektriske peisen er installert, må plasseringen av støpslet være tilgjengelig.

- 1.10 Om strømledninger må passere gjennom en peis, steininnramming e.l. må det passes på at det monteres egnede gummihylser på mulige slitesteder.
- 1.11 Dersom strømkabelen er ødelagt, må du ikke bruke peisen før du har byttet den. Av sikkerhetsmessige grunner bør dette arbeidet utføres av elektriker med godkjent kompetanse.
- 1.12 **ADVARSEL:** For å unngå en fare grunnet utilsiktet tilbakestilling av den termiske sikringsautomaten, må denne anordningen ikke få strømtilførsel via et eksternt bryter-apparat, slik som en tidsbryter. Den må heller ikke kobles til en krets som regelmessig skrus på og av strømforsyningen.
- 1.13 Ikke bruk peisen hvis den har fått skader.
- 1.14 Reparasjoner av elektriske apparater må bare gjøres av autoriserte teknikere. Dersom peisen ikke virker eller det er blitt ødelagt, vennligst kontakt forhandleren som solgte deg peisen.
- 1.15 Dette apparatet kan brukes av barn fra 8 år og oppover og av personer med redusert fysisk, sensorisk eller mentale evner, eller mangel på erfaring og kjennskap, dersom de er under tilsyn eller har blitt gitt instruksjoner om bruk av apparatet på en trygg måte og de forstår farene som er involvert. Barn under 3 år bør holdes unna med mindre de er kontinuerlig overvåket.

Barn i alderen mellom 3 og 8 år skal kun slå apparatet på/ av dersom det er plassert og montert i dens tiltenkte normale driftsposisjon og de er under tilsyn eller har blitt gitt instruksjoner om bruk av apparatet på en trygg måte og de forstår farene involvert. Barn i alderen mellom 3 og 8 år skal ikke plugge inn, justere og rengjøre apparatet eller utføre vedlikehold.

Gazco anbefaler uansett:

Dette apparatet er ikke tiltenkt brukt av personer under 12 år, personer med nedsatt fysisk, sensorisk eller mental evne, eller personer som mangler erfaring og kjennskap til trygg betjening av apparatet.

Apparatet kan betjenes av personer over 12 år forutsatt at de har fått instruksjon i trygg bruk av apparatet og at de forstår hvilke farer som er involvert. Personer over 12 år kan også betjene apparatet under tilsyn av en ansvarlig voksen person.

Deler av dette apparatet blir varme under drift og personer under 12 år må ikke under noen omstendigheter forlates alene med produktet når det er i drift med mindre det brukes et varmeskjold for å beskytte dem mot direkte kontakt med apparatet.

Barn skal ikke leke med apparatet.

Rengjøring og brukervedlikehold skal ikke utføres av barn uten tilsyn.

2. Betjeningsinstrukser



ADVARSEL! Ikke bruk peisen hvis det har fått skader. Dersom du mistenker at peisen er ødelagt eller ikke fungerer som det skal, kontakt en godkjent tekniker for å inspisere peisen og, dersom nødvendig, bytt ut den aktuelle delen i det elektriske systemet før du bruker peisen igjen.

Ikke koble ut strømmen ved netstrømtilførselen mens apparatet er skrudd på. Bruk funksjonene på fjernkontrollen for å skru av flammen og sørg for at strømbryteren har blitt satt i av-posisjon før du kobler fra.

GENERELL INFORMASJON

- 2.1 Apparatet kan betjenes av radiofrekvens-håndkontrollen eller de manuelle kontrollene som befinner seg på høyre side av vinduet.



MERK: For å bruke både fjernkontrollen og manuelle funksjoner må den manuelle på/av-bryteren stå i posisjon 'PÅ'. For å unngå at produktet blir for varmt, er det en 10 sekunders forsinkelse når du skrur på varmeapparatet, og en 10 sekunders forsinkelse når du skrur av vitteovnen.

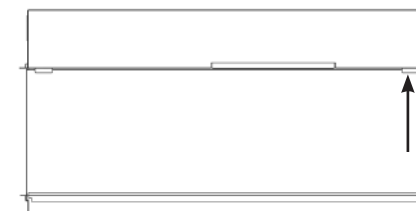
Den manuelle knappen kontrollerer grunnleggende funksjoner, ikke en hel serie med kontroller. Bruk fjernkontrollen for å utføre alle funksjonene.

FORBEREDELSE FØR BRUK

Batterier:

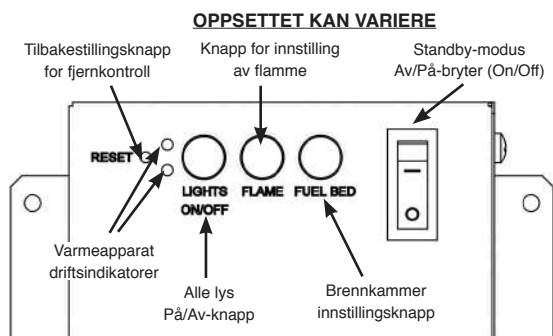
- 2.2 Forsikre deg om at batteriet i fjernkontrollen er nytt og er satt i korrekt.
- 2.3 Gamle batterier må kasseres på godkjent gjenvinningsstasjon.

PLASSERING AV STRØMBRYTER



2a. Manuelt kontrollpanel

- 2a.1 De manuelle kontrollene på apparatet befinner seg øverst til høyre på apparatet.
- 2a.2 Skru på apparatet med nettstrømbryteren i posisjon '—'. En langvarig pipelyd vil høres.
- 2a.3 Trykk på "LYS PÅ/AV" for å skru på eller av både flammen og brennkammeret samtidig.
- 2a.4 Det er 3 alternativ for flammefarge:
- Trykk på knappen "FLAMME" for å velge fargen på flammen eller gå tilbake til AV-posisjon.
- 2a.5 Det er 14 ulike brennkamre:
- Trykk på knappen "BRENNKAMMER" for å velge fargen på brennkammeret eller gå tilbake til AV-posisjon.



Merk: Apparatet vil miste minnet for lysfunksjonene når bryteren er satt i Av-posisjon eller fjernkontrollen går tom for strøm.

Varmeapparat driftsindikatorer (se Diagram)

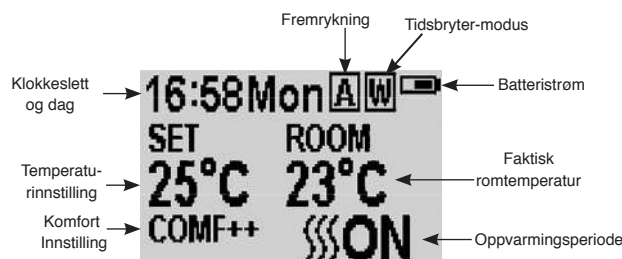
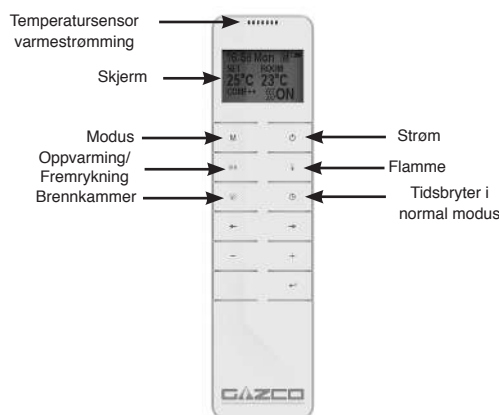
- 2a.6 Når vifteovnen brukes sammen med flamme- eller brennkammer-effekt vil varmeapparatets driftsindikatorer lyse opp i 10 sekunder.
- LED-lampene vil lyse i 10 sekunder dersom flamme- eller brennkammer-effekt er På. Dersom vifteovnen brukes uavhengig, vil varmeapparatets driftsindikatorer forbli på.

Tilbakestillingsknapp for fjernkontroll

- 2a.7 Dersom håndkontrollen mister signal eller behøves å skiftes ut, se vedlikeholdsavsnittet for mer detaljer.

2b. Fjernkontroller

Fjernkontrollen bør legges på et flatt underlag i rommet der apparatet er montert og vekk fra enhver direkte varmluftsstrøm.



Signalkode

- 2b.1 Fjernkontrollen virker via radiosignal. Den håndholdte senderen er konfigurert på fabrikk med en unik signalkode.

VIKTIG: Dersom håndkontrollen mister signal eller behøves å skiftes ut, se vedlikeholdsavsnittet for mer detaljer.



MERK: Fjernkontrollen har en batteristatusindikator (øverst i høyre hjørne). Etter en lengre periode med tom visning, vil LED-skjermen slutte å fungere til tross for at håndsettet fremdeles kan sende kommandoer. Erstatt batteriet for å gjenopprette displayet.

Skru på/av

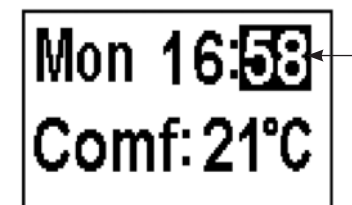
- 2b.2 Trykk på knappen for å skru på flamme-effekten.
- 2b.3 Trykk på knappen for å skru av alle funksjonene under normal varmekontroll-modus inkludert flamme-effekt og vifteovn.
- 2b.4 Trykk på knappen for å skru av flamme-effekten under daglig og ukentlig tidsbryter-varmemodus.

Ukedager/ Klokkeslett/ Komforttemperatur og Innstilling av enhet

Ved aktivering anbefales det at klokken stilles tilbake til riktig klokkeslett for å sørge for en nøyaktig drift av apparatet.

- 2b.5 Hold **M** knappen inne i 3 sekunder for å gå inn i skjermbildet for innstillinger.
- 2b.6 Trykk på knappen '←' eller '→' for å velge innstillingen som skal endres.

Det valgte tegnet vil fremheves, se Diagram.



- 2b.7 Trykk på knappen '+' eller '-' for å justere tallet.
- Klokkeslett: 24-timers system.
Velg komforttemperatur fra 15-25°C.
Temperatur-enhet: °C/°F.
- 2b.8 Trykk på knappen i 3 sekunder eller vent i 10 sekunder for å lagre og gå ut av innstillingen av uke, klokkeslett og oppvarmingstemperatur.

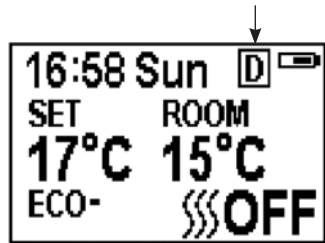
Brukerinstruksjoner

Daglig tidsinnstilt oppvarming

2b.9 De følgende oppvarmingsperiodene har blitt forhåndsinnstilt, og disse kan endres dersom det er ønskelig:

06:00 til 08.00
17.00 til 22.00

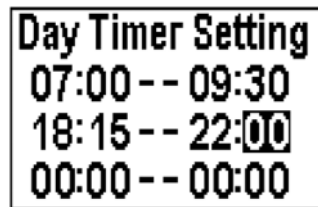
2b.10 Trykk på **M** inntil **D** vises i øvre høyre hjørne på skjermen for å gå inn i modusen for daglig tidsinnstilt oppvarming.



2b.11 Hold knappen inne i 6 sekunder for å gå inn i innstillingen for daglig oppvarming. Maksimalt 3 tidsinnstilte oppvarmingsperioder kan stilles inn per dag.

2b.12 Trykk på '<' eller '>' for å velge time eller minutter,

2b.13 Trykk på '+' eller '-' for å stille inn tallet. Minuttene øker / synker med 15 min per trykk.



2b.14 Hold knappen inne i 3 sekunder eller vent i 10 sekunder for å lagre og gå ut av innstillingen av oppvarmings-tidsperiode.

2b.15 Sjekk tidsinnstillingen. Trykk på for å sjekke modusen for daglig tidsinnstilling.

2b.16 Dersom du vil skru av oppvarmingen, må du gå tilbake til normal kontrollmodus for å skru den av.

Når den er i modus for daglig tidsinnstilling, vil det å skru apparatet av med fjernkontrollen føre til at lysproduksjonen stanser. Varmeproduksjonen vil fortsette i samsvar med tidsinnstillingen.

Justering av den innstilte temperaturen

2b.17 Trykk på knappen '+' eller '-' for å øke eller redusere temperaturen fra utgangspunktet COMF-temperatur.

COMF betyr at den faktiske temperaturen er det samme som innstillingen.

ECO betyr at den faktiske temperaturen er 2°C lavere enn den innstilte temperaturen.

ECO- betyr 4°C lavere.

COMF+ betyr 2°C høyere.

COMF++ betyr 4°C høyere.

Adaptiv startkontroll

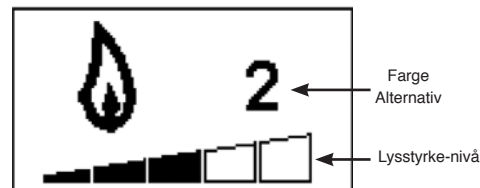
I samsvar med romtemperatur og innstilt temperatur, vil varmeapparatet automatisk avgjøre den hensiktsmessige tiden det vil ta å varme opp, for å sørge for at den når den innstilte temperaturen i den innstilte tiden (opptil 45 minutter før det innstilte klokkeslettet).

Justering av flammefarge

2b.18 Trykk på knappen for å gå inn i skjermbildet for flammejustering.

Det er 3 alternativer for flammefarge, indikert av nummeret vist i diagram.

Det er 6 nivå av lysstyrke, inkludert av. Dette er indikert av streken, og den tomme streken indikerer av, se Diagram.



2b.19 Trykk på knappen '<' eller '>' for å gå gjennom alternativene for flammefarge.

2b.20 Trykk på knappen '+' for å øke flammens lysstyrke.

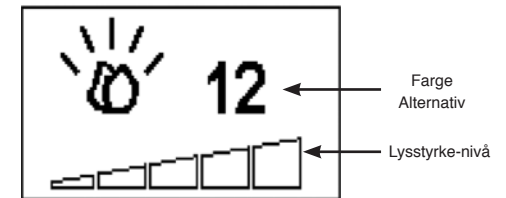
Trykk på knappen '-' for å redusere flammens lysstyrke inntil den går av.

Justering av brennkammer-farge

2b.21 Trykk på for å gå inn i skjermbildet for lysjustering av brennkammeret.

Det er 14 alternativer for brennkammerfarge, indikert av nummeret vist i diagram.

Det er 6 nivå av lysstyrke, inkludert av. Dette er indikert av streken, og den tomme streken indikerer av, se Diagram.



2b.22 Trykk på knappen '<' eller '>' for å gå gjennom alternativene for brennkammerfarge.

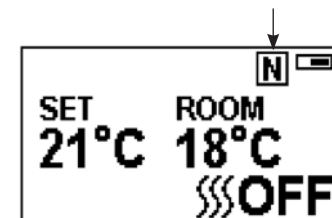
2b.23 Trykk på knappen '+' for å øke brennkammerets lysstyrke.

Trykk på knappen '-' for å redusere brennkammerets lysstyrke inntil den går av.

Normal kontrollmodus

2b.24 Normal kontrollmodus er default-innstilling.

Alternativt kan du trykke på **M** knappen inntil **N** logoen vises øverst til høyre på skjermen, se Diagram.



Brukerinstruksjoner

2b.25 Trykk på knappen '+' eller '-' for å justere temperaturinnstillingen fra 17°C til 25°C.

2b.26 Trykk på knappen **ON** for å skru varmen på/av, **PA** eller **AV** vil vises nederst i høyre hjørne på skjermen, se Diagram.



Merk: Den er normalt at vifteovnen stanser i tidsperioder. Dette skjer dersom romtemperaturen er høyere enn temperaturen stilt inn på kontrollen.

Varmeapparatets indikator vil skrus av etter 10 sekunder dersom flammen er skrudd PÅ. Varmeapparatets indikator vil forbli PÅ dersom kun varmefunksjonen brukes.

Når den er i normal kontrollmodus, vil det å skru av apparatet med fjernkontrollen føre til at både lysproduksjonen og varmeproduksjonen stanser.

Nedteiling tidsbryter




Denne innstillingen er kun i normal oppvarming kontrollmodus. Den gjør at apparatet kan gå tilbake i hvilemodus etter en innstilt tidsperiode. Varmeapparatet må skrus på for å bruke denne funksjonen.

2b.27 Trykk på **ON** for å gå gjennom innstillingen fra Av og 0,5 timer til 9 timer. Tidsbryterens logo og gjenværende tid vil vises på skjermen.

Apparatets varmeenhet kan drives automatisk ved å bruke daglig tidsinnstilling og ukentlig tidsinnstilling på fjernkontrollen.

Batteri

Batteriets strømnivå indikeres øverst til høyre på fjernkontrollens skjerm bilde, se Diagram.

	Batteri fullt	Ingen handling kreves
	Batteri halvfullt	Sørg for at nye batterier er tilgjengelige.
	Batteri tomt	Skift ut batterier umiddelbart

Utskiftning av batterier er anbefalt etter 1 år. Fjernkontrollen bruker 1.5V alkaliske AAA batterier.

Å skifte ut batteriene vil ikke påvirke innstillingene av tidsbryter-modus, men det kan hende at klokken må stilles.

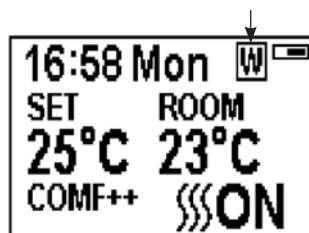
Uke tidsinnstilt oppvarming

2b.28 De følgende oppvarmingsperiodene har blitt forhåndsinnstilt, og disse kan endres dersom det er ønskelig:

Fra mandag til fredag
06:00 til 08:30
17.00 til 22.00

Fra lørdag til søndag
06.30 til 09.30
11.00 til 13.00
17.00 til 22.00

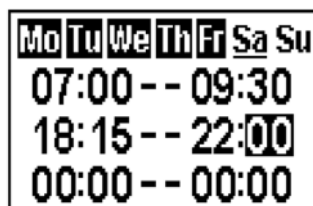
2b.29 Trykk på **M** inntil **W** vises i øvre høyre hjørne på skjermen for å gå inn i modusen for uke tidsinnstilt oppvarming.



2b.30 Hold knappen **W** inne i 6 sekunder for å gå inn i innstillingen for uke oppvarming.

2b.31 Trykk på '**←**' eller '**→**' for å flytte markøren (en blinkende understrekning).

2b.32 Trykk på **←** knappen på den tilhørende uke-posisjonen for å velge (karakteren blir markert) eller avbryte (karakteren vises normalt) den inneværende innstillingen, den samme tidsperioden kan velges sammen.



2b.33 Trykk på knappen '**→**' for å flytte markøren til innstillingsområdet for tidsperiode.

2b.34 Trykk på '**←**' eller '**→**' for å velge time eller minutter.

2b.35 Trykk på '+' eller '-' for å stille inn tallet.

Maksimalt 3 tidsinnstilte oppvarmingsperioder kan stilles inn per dag.

Minuttene øker / synker med 15 min per trykk.

2b.36 Trykk på **←** for å stille inn oppvarmingstid for den valgte dagen og gå tilbake til ukelinjen.

2b.37 Hold knappen **←** inne i 3 sekunder eller vent i 10 sekunder for å lagre og gå ut av innstillingen av oppvarmings-tidsperiode.

2b.38 Trykk på **←** '**←**' eller '**→**' for å sjekke tidsinnstillingen for uke tidsinnstilt oppvarming.

2b.39 Dersom du vil skru av oppvarmingen, må du gå tilbake til normal kontrollmodus for å skru den av.

Når den er i modus for uke tidsinnstilling, vil det å skru av apparatet med fjernkontrollen føre til at lysproduksjonen stanser. Varmeproduksjonen vil fortsette i samsvar med tidsinnstillingen.

Justering av den innstilte temperaturen

2b.40 Trykk på knappen '+' eller '-' før å øke eller redusere temperaturen fra utgangspunktet COMF-temperatur.

COMF betyr at den faktiske temperaturen er det samme som innstillingen.

ECO betyr at den faktiske temperaturen er 2°C lavere enn den innstilte temperaturen.

ECO- betyr 4°C lavere.

COMF+ betyr 2°C høyere.

COMF++ betyr 4°C høyere.

Brukerinstruksjoner

Adaptiv startkontroll

I samsvar med romtemperatur og innstilt temperatur, vil varmeapparatet automatisk avgjøre den hensiktsmessige tiden det vil ta å varme opp, for å sørge for at den når den innstilte temperaturen i den innstilte tiden (opptil 45 minutter før det innstilte klokkeslettet).

Fremryknings-modus

2b.41 Oppvarmings-tilstanden kan rykke frem til neste periode, og dette er under både daglig og uke tidsinnstilt oppvarming.



Dersom varmeapparatet er på i den inneværende perioden, vil det å trykke på knappen skru varmeapparatet av.

Dersom varmeapparatet er av i den inneværende perioden, vil det å trykke på knappen skru varmeapparatet på.

Hvorvidt den faktiske oppvarmingen er på/av avhenger også av romtemperaturen og den innstilte temperaturen.

2b.42 Trykk på **[[[A** for å gå inn i Fremryknings-modus under daglig og uke tidsinnstilt oppvarming, **A** vil vises øverst i høyre hjørne på skjermen.

2b.43 Trykk på **[[[A** en gang til eller så vil tidsperioden slutte og gå ut av Fremryknings-modus.

Påvisning av åpne vinduer

2b.44 Når senderen oppdager et raskt fall av romtemperaturen, vil dette oppfattes som et åpent vindu: varsel-ikonet vil vises og oppvarmingen vil automatisk skrues av.



2b.45 Etter at innendørstemperaturen stiger eller etter manuelt inngrep (ved å bruke fjernkontrollen), vil det gå tilbake til normal driftsstatus.

3. Trento Modular Suite

Vennligst se Trento Modular Suite instruksjoner PR2453EU.

4. Vedlikehold

4.1 **TA ALLTID STØPSET UT AV STRØMKONTAKTEN FØR DU GJØR RENT ELLER UTFØRER NOEN FORMER FOR VEDLIKEHOLD.**

GENERELL RENGJØRING

4.2 Du må bare rengjøre det ytre kabinettet når det er kaldt. Ikke bruk rengjøringsmidler med slipemiddel.

RENGJØRE GLASSET

4.3 Tørk av glasspanelet med en fuktig klut og poler med en lofri støvfille.

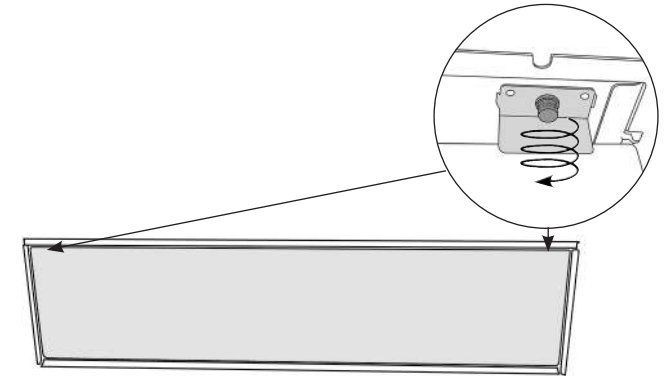
Forsiktig! Ikke bruk rengjøringsmidler med slipemiddel på glasspanelet. Ikke sprut væske direkte på noen av overflatene på enheten.

RENGJØRING AV DRIVSTOFF EFFEKT

For å komme til brenseffekten er det nødvendig å fjerne glasspanelet.

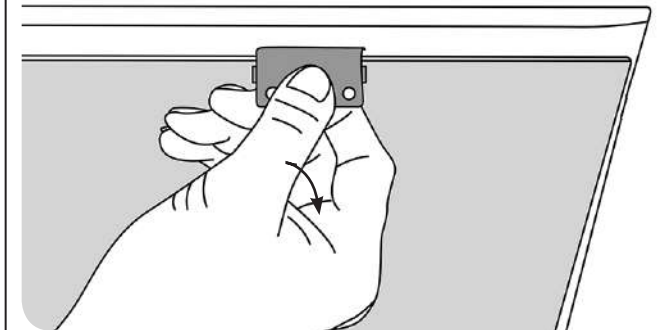
4.4 Forsikre deg om at støpset til peisen er tatt ut av strømkontakten.

4.5 De er en klemme i toppen av hvert hjørne på glasspanelet som holder glasset på plass, se Diagram.



4.6 Løsne og fjern de 2 klemmene mens du holder glasset. Disse kan skrues ut med fingrene.

4.7 Bikk glasset forsiktig framover og løft det ut av det nedre brettet for å fjerne det fra apparatet, se Diagram.



Du kan nå komme til brenseffekten.

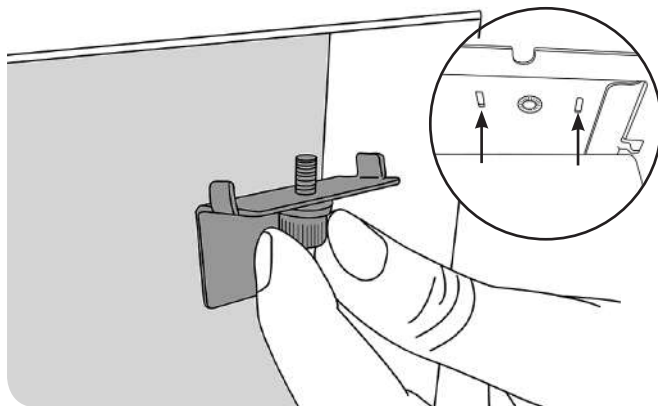
4.8 Fjern og rengjør brenseffekten for å fjerne alle støvpartikler. Eller rengjør med en lofri støvfille.

Påse at effekten er tørr før den settes tilbake.

Erstatt brenseffekten se Monteringsveiledning avsnitt for layout.

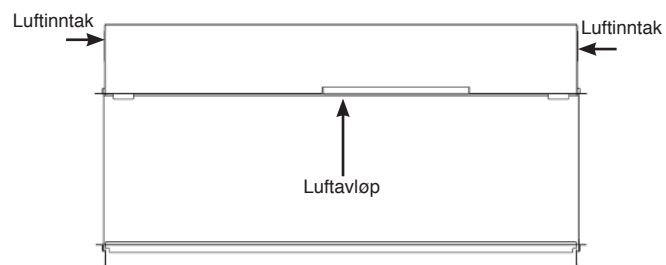
4.9 Sett glasset tilbake ved å følge instruksjonene i motsatt rekkefølge.

Når du setter klemmen tilbake er det viktig å se til at klemmen er plassert i sporene på apparatet, se Diagram.



RENGJØRING AV LUFTINTAK

- 4.10 Forsikre deg om at støpslet til peisen er tatt ut av strømkontakten.
- 4.11 Rengjør ristene ved inntaket og avløpet jevnlig med en myk klut eller munnstykket på en støvsuge.



Oppsamlet støv kan hindre effektiv ytelse på viften og føre til aktivering av termisk sikringsautoma.

- 4.12 Hold området rundt peisen rent og fritt for lo, støv eller hår fra kjæledyr.

- 4.13 Opphopning av støv og lignende kan særlig oppstå rundt varmeområdet på toppen av apparatet. Vær spesielt nøye med å holde dette området fritt for slike partikler, rengjør jevnlig for å hindre oppsamling.

BYTTE BATTERI

- 4.14 Når fjernkontrollbatteriet er tomt må det byttes umiddelbart. Bytt med riktig type og lever det gamle batteriet på forskriftsmessig måte til et resirkuleringsmottak.

Instrucciones Para El Usuario

IMPORTANTE

LA REJILLA DE SALIDA DE CALEFACCIÓN SE CALIENTA MUCHO DURANTE EL FUNCIONAMIENTO. NO CUBRA LA REJILLA DE SALIDA NI NINGUNA PARTE DEL APARATO.


Para uso con 230V 50Hz únicamente.

Leer las presentes instrucciones antes de la instalación y guardarlas cuidadosamente en lugar seguro.

Serán necesarias en el momento de hacer el mantenimiento

ESTE APARATO REQUIERE TOMA A TIERRA.

1. Información Importante Y Salud Y Seguridad

- 1.1 **Antes de utilizar el aparato lea atentamente todas las instrucciones.**
- 1.2 **Proceda a reciclar todo el embalaje.**
- 1.3 No coloque este aparato inmediatamente por debajo de una toma de corriente fija.
- 1.4 No utilizar el aparato en las inmediaciones de un cuarto de baño, ducha o piscina o en zonas en las que el aparato puede estar en contacto con agua o humedad.
- 1.5  **¡ADVERTENCIA! NO LO CUBRA**
No cubrir ni tapar el aparato, deje circular el aire en su entorno. Observe el símbolo de advertencia sobre el aparato (véalo arriba).
- 1.6 **Este aparato está destinado para uso en el interior** y no es adecuado para ser utilizado en el exterior.
- 1.7 Mantenga el enchufe alejado de superficies calientes. No conecte el cable de señal en frente del aparato.
- 1.8 Este aparato debe fijarse firmemente a un hueco en una pared interior plana. Compruebe que no hay muebles, cortinas, etc. a menos de 1 m del aparato.
- 1.9 Una vez instalado el aparato, el enchufe debe quedar accesible.
- 1.10 Si el cable ha de pasar por chimeneas, estar empotrado, etc. Debe asegurarse que éste esté debidamente protegido.

- 1.11 Si el cable eléctrico está dañado no utilice el aparato hasta su reemplazo. Por razones de seguridad el reemplazo ha de ser realizado por Gazco o el servicio técnico de Gazco o un electricista cualificado.
- 1.12 **PRECAUCIÓN:** Con el fin de evitar un riesgo debido a un reajuste inadvertido del interruptor térmico, este aparato no se debe suministrar a través de un dispositivo de conmutación externo, como un temporizador, o conectado a un circuito que el servicio público encienda y apague regularmente.
- 1.13 No utilizar el aparato en el supuesto de estar averiado o dañado.
- 1.14 Las posibles reparaciones deben ser efectuadas siempre por persona debidamente autorizada y cualificada. Si el aparato no funciona, o en caso de cualquier daño, por favor póngase en contacto con el distribuidor donde adquirió el producto.
- 1.15 Este aparato puede ser utilizado por niños mayores de 8 años y personas con capacidades físicas, sensoriales o mentales reducidas o que carezcan de experiencia y conocimientos, siempre que estén vigilados o que se les haya indicado cómo utilizar el aparato de forma segura y que entiendan los riesgos asociados. Los niños menores de 3 años deben mantenerse alejados a menos que sean supervisados continuamente.

Los niños de 3 a 8 años solo deben encender/apagar el aparato siempre que esté colocado o instalado en la posición de funcionamiento normal y que estén vigilados o que se les haya indicado cómo utilizar el aparato de forma segura y que entiendan los riesgos asociados. Los niños de 3 a 8 años no deben enchufar, regular y limpiar el aparato ni realizar las tareas de mantenimiento.

Sin embargo, Gazco recomienda:

Este aparato no está destinado a ser utilizado por personas menores de 12 años, personas con discapacidad física, sensorial o mental o personas sin ninguna experiencia o conocimiento sobre cómo utilizar el aparato de forma segura. El aparato puede ser utilizado por personas mayores de 12 años siempre que hayan recibido instrucciones acerca de un uso seguro del aparato y que entiendan los peligros que puede conllevar. Las personas mayores de 12 años también pueden utilizar el aparato bajo la supervisión de un adulto responsable.

Este aparato contiene piezas que pueden calentarse durante el uso, por lo que bajo ninguna circunstancia debe permitirse que personas menores de 12 años se queden solas con el producto mientras esté en funcionamiento, a menos que se utilice una pantalla de protección adecuada para protegerles ante cualquier posibilidad de entrar en contacto directo con el aparato.

Los niños no deben jugar con el aparato.

El mantenimiento de limpieza por parte del usuario no debe ser realizado por niños sin la supervisión de un adulto.

2. Instrucciones De Uso



¡ADVERTENCIA! No ponga el aparato en funcionamiento si se encontrara dañado o si funciona incorrectamente. Si sospechara que el aparato se encuentra dañado o funciona incorrectamente, antes de volver a utilizarlo llame a un técnico de servicio acreditado para que lo inspeccione y sustituya cualquier pieza del sistema eléctrico si fuera necesario.

NO desenchufe el aparato del suministro eléctrico mientras se encuentre funcionando. Utilice las funciones del mando a distancia para apagar el calefactor y asegúrese de que el interruptor de aislamiento se haya colocado en la posición de apagado antes de desenchufar.

ASPECTOS GENERALES

- 2.1 El aparato puede funcionar con el mando de frecuencia de radio o los controles manuales.



NOTA: Para usar tanto las funciones a distancia como las manuales, el interruptor manual de encendido/apagado debe estar en la posición de encendido «ON». Para evitar que el aparato se caliente demasiado, hay un retraso de 10 segundos cuando se enciende el calefactor y otro retraso de 10 segundos cuando se apaga el ventilador.

El botón manual controla las funciones básicas, no una amplia gama de controles. Use el mando a distancia para llevar a cabo todas las funciones.

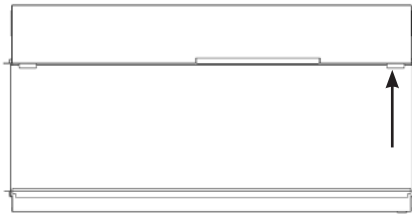
PREPARACIÓN ANTES DE UTILIZARLO

Baterías:

- 2.2 Compruebe que la batería del mando sea nueva y se encuentra correctamente insertada.
- 2.3 Deshágase de las baterías viejas en una instalación de reciclaje apropiada.

Instrucciones Para El Usuario

UBICACIÓN DEL INTERRUPTOR DE ALIMENTACIÓN



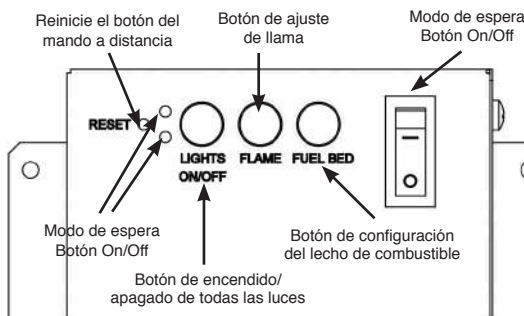
2a. Panel de control manual

- 2a.1 Los controles manuales están situados en la esquina superior derecha del aparato.
- 2a.2 Se escuchará un fuerte pitido al encender el aparato con el interruptor de encendido en la posición «—».
- 2a.3 Pulse «LUCES ENCENDIDAS/APAGADAS» para encender o apagar tanto la llama como el lecho de combustible al mismo tiempo.
- 2a.4 Hay 3 colores disponibles de llama.

Pulse el botón de «LLAMA» para seleccionar el color de la llama o vuelva a la posición de apagado «OFF».
- 2a.5 Existen 14 opciones de color para el lecho de combustible:

Pulse el botón «FUEL BED» para seleccionar el color del lecho de combustible o regresar a la posición apagada.

LAS POSICIONES PUEDEN VARIAR



Nota: El aparato perderá la memoria de las funciones de luz cuando el interruptor se coloque en la posición de apagado «Off» o el mando a distancia se quede sin pilas.

Indicadores del funcionamiento del calefactor (consulte el diagrama)

- 2a.6 Al usar el ventilador calefactor junto con el efecto de llama o el lecho de combustible, los indicadores de funcionamiento del calefactor se encienden durante 10 segundos.

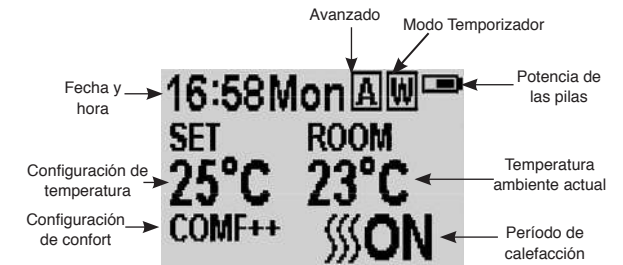
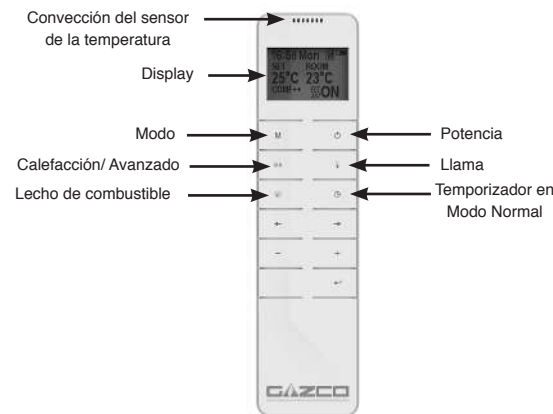
Las luces LED se encenderán durante 10 segundos si el efecto de la llama o el lecho de combustible está activado. Si el ventilador se utiliza independientemente, los indicadores del funcionamiento del calefactor permanecerán encendidos.

Reinicie el botón del mando a distancia

- 2a.7 Si el mando pierde señal o necesita ser reemplazado, consulte la sección en la sección de mantenimiento para más detalles.

2b. Mandos a distancia

El mando a distancia debe dejarse en una superficie plana en la habitación donde está instalado el aparato y fuera del alcance de cualquier flujo directo de aire caliente.



Código de aviso

- 2b.1 El mando a distancia funciona por señal de radio. El transmisor manual está configurado de fábrica con un código de aviso único.

IMPORTANTE: Si el mando pierde señal o necesita ser reemplazado, consulte la sección en la sección de mantenimiento para más detalles.



NOTA: El control remoto tiene un indicador de estado de la batería (en la esquina superior derecha); tras un lapso prolongado de mostrar que está agotada, la pantalla LED dejará de funcionar. Sin embargo, el mando seguirá controlando la unidad. Cambie las pilas para que la pantalla vuelva a funcionar.

Encender/apagar

- 2b.2 Pulse el botón para encender el efecto llama.
- 2b.3 Pulse el botón para apagar todas las funciones bajo el modo de control de calefacción normal, que incluye el efecto llama y el ventilador.
- 2b.4 Pulse el botón para desactivar el efecto llama del modo temporizador diario y semanal de la calefacción.

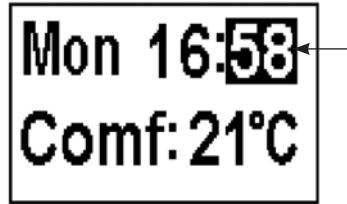
Días de la semana/hora/temperatura de confort y configuración de unidad

Al activarse, se recomienda que se reajuste la hora adecuada en el reloj para garantizar la precisión del funcionamiento del aparato.

- 2b.5 Mantenga pulsado el botón **M** durante 3 segundos para ingresar a la pantalla de configuración.
- 2b.6 Pulse el botón «←» o «→» para elegir la configuración a cambiar.

Instrucciones Para El Usuario

El carácter seleccionado se iluminará, consulte el diagrama.



2b.7 Pulse el botón '+' o '-' para ajustar el número.

Hora: sistema 24 horas.

Seleccione la temperatura de confort a partir de los 15-25°C.

Unidades de temperatura: °C/°F.

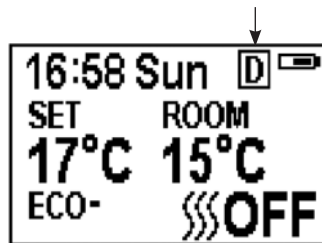
2b.8 Pulse el botón ← durante 3 segundos o espere 10 segundos para guardar y salir de la configuración de la semana, la hora y la temperatura de la calefacción.

Temporizador diario de la calefacción

2b.9 Los siguientes periodos de calefacción han sido preestablecidos, aunque pueden modificarse si se desea:

06:00 hasta 08:00
17:00 hasta 22:00

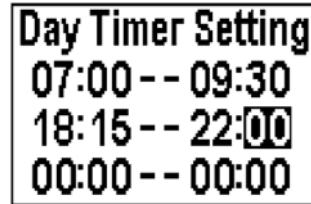
2b.10 Mantenga pulsado **M** hasta que **D** aparezca en la esquina superior derecha de la pantalla para introducir el modo temporizador diario de la calefacción.



2b.11 Mantenga pulsado el botón ← durante 6 segundos para introducir la configuración de la calefacción diaria. Se puede establecer un máximo de 3 periodos de calefacción programados por día.

2b.12 Pulse el botón '<' o '>' para elegir la hora o el minuto.

2b.13 Pulse el botón '+' o '-' para fijar el número. Cada pulsación añade/resta 15 minutos.



2b.14 Mantenga pulsado el botón ← durante 3 segundos o espere 10 segundos para guardar y salir de la configuración del período de tiempo de calefacción.

2b.15 Compruebe la configuración del temporizador. Pulse ← para comprobar el modo temporizador diario.

2b.16 Si tiene que apagar la calefacción, es necesario que vuelva al modo de control normal.

Cuando esté en modo temporizador diario, apague el aparato con el mando a distancia. Esto detendrá la potencia luminosa. La potencia térmica continuará según los ajustes del temporizador.

Ajuste de la temperatura programada

2b.17 Pulse el botón '+' o '-' para aumentar o disminuir la temperatura en función de la temperatura COMF.

COMF significa que la temperatura actual es la misma que la programada.

ECO significa que la temperatura actual es 2 °C menos que la temperatura programada.

ECO- significa 4 °C menos.


COMF+ significa 2 °C más.

COMF++ significa 4 °C más.

Control adaptable de inicio

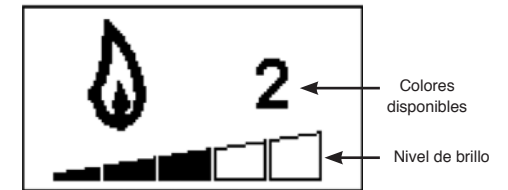
Según la temperatura ambiente y la temperatura establecida, el calefactor determinará automáticamente el momento apropiado para calentar para garantizar que se alcanza la temperatura establecida en el tiempo establecido (hasta 45 minutos antes del tiempo programado).

Ajuste del color de la llama

2b.18 Pulse el botón  para ingresar en la pantalla de ajuste de la llama.

Hay 3 colores disponibles de llama que se indican en el número mostrado en el diagrama.

Hay 6 niveles de brillo, incluido el apagado. Esto se indica en la barra. La barra en blanco indica que está desactivado, consulte el diagrama.




2b.19 Pulse el botón '<' o '>' para ir pasando entre los colores disponibles de llama.

2b.20 Pulse el botón '+' para aumentar el brillo de la llama.

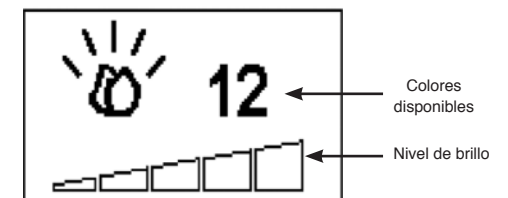
Pulse el botón '-' para disminuir el brillo de la llama hasta apagarla.

Regulación del color del lecho de combustible

2b.21 Pulse  para ingresar a la pantalla de regulación de la luz del lecho de combustible.

Hay 14 colores opcionales para el lecho de combustible, que se indican con el número en pantalla.

Hay 6 niveles de brillo, incluido el apagado. Esto se indica en la barra. La barra en blanco indica que está desactivado, consulte el diagrama.



Instrucciones Para El Usuario

2b.22 Pulse el botón ‘←’ o ‘→’ para recorrer las opciones de color del lecho de combustible.

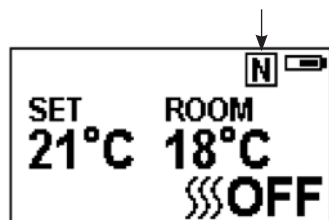
2b.23 Pulse el botón “+” para aumentar el brillo del lecho de combustible.

Pulse el botón “-” para reducir el brillo del lecho de combustible hasta apagarlo.

Modo de control normal

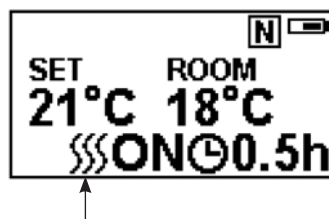
2b.24 El modo de control normal es la configuración predeterminada.

Alternativamente, pulse el botón **M** hasta que aparezca el **N** logotipo en la esquina superior derecha de la pantalla, consulte el diagrama.



2b.25 Pulse el botón ‘+’ o ‘-’ para ajustar la temperatura programada desde 17°C a 25°C.

2b.23 Pulse el botón **ON** para encender o apagar la calefacción. Los botones de **ON** encendido o **OFF** apagado se mostrarán en la esquina inferior derecha de la pantalla, consulte el diagrama.



Nota: Es normal que el ventilador deje de funcionar durante unos períodos de tiempo. Esto ocurre si la temperatura ambiente es más alta que la temperatura establecida en el control.

El indicador del calefactor se apagará después de 10 s si la llama se enciende. El indicador del calefactor permanecerá encendido si solo se usa la función de calefacción.

Cuando esté en modo de control normal, apague el aparato con el mando a distancia. Esto detecta tanto la potencia luminosa como la potencia térmica.

Contador regresivo




Esta configuración solo está en el modo de control de calefacción normal. Esto permite que el aparato vuelva al modo de espera tras un período de tiempo programado. Para usar esta función, el calefactor debe de estar encendido.

2b.27 Pulse **ON** para ir pasando entre la opción de ajuste de apagado «Off» y de 0,5 horas a 9 horas. El logotipo del temporizador y el tiempo restante aparecerán en la pantalla.

El calefactor del aparato se puede ejecutar automáticamente mediante el uso del temporizador diario y el semanal en el mando a distancia.

Batería

El nivel de energía de las pilas se indica en la parte superior de la pantalla del mando a distancia, consulte el diagrama.

	Pilas cargadas	No es preciso tomar medidas
	Pilas a media potencia	Asegúrese que haya nuevas pilas disponibles
	Pilas descargadas	Cambie las pilas inmediatamente

Se recomienda cambiar las pilas después de 1 año. El mando a distancia necesita dos pilas alcalinas tipo AAA de 1,5V.

Cambiar las pilas no afectará la configuración del modo temporizador. Sin embargo, es posible que se necesite ajustar el reloj.

Temporizador semanal de la calefacción

2b.28 Los siguientes períodos de calefacción han sido preestablecidos, aunque pueden modificarse si se desea:

De lunes a viernes
06:00 hasta 08:30
17:00 hasta 22:00

De sábado a domingo
06:30 hasta 09:30
11:00 hasta 13:00
17:00 hasta 22:00

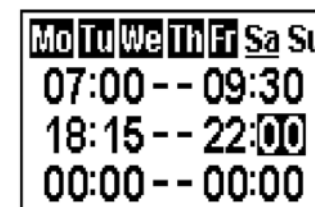
2b.29 Mantenga pulsado **M** hasta que **W** aparezca en la esquina superior derecha de la pantalla para introducir el modo de calefacción semanal.



2b.30 Mantenga pulsado el botón **←** durante 6 segundos para introducir la configuración del modo temporizador semanal de la calefacción.

2b.31 Pulse ‘←’ o ‘→’ para mover el cursor (una línea intermitente).

2b.32 Pulse el botón **←** en la posición correspondiente de la semana para seleccionar (el carácter está iluminado) o cancelar (el carácter se muestra normalmente) la configuración actual. El mismo período de tiempo se puede seleccionar al mismo tiempo.



2b.33 Pulse el botón ‘→’ para mover el cursor al área de configuración del período de tiempo.

2b.34 Pulse el botón ‘←’ o ‘→’ para elegir la hora o el minuto.




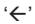
2b.35 Pulse el botón ‘+’ o ‘-’ para fijar el número.

Se puede establecer un máximo de 3 períodos de calefacción programados por día.

Cada pulsación añade/resta 15 minutos.

2b.36 Pulse **←** para establecer el tiempo de calefacción para el día seleccionado y vuelva a la semana.

Instrucciones Para El Usuario

- 2b.37 Pulse el botón  durante 3 segundos o espere 10 segundos para guardar y salir de la configuración de la semana, la hora y la temperatura de la calefacción.
- 2b.38 Pulse  '' o '' para comprobar la configuración temporizador para el modo temporizador semanal de la calefacción.
- 2b.39 Si tiene que apagar la calefacción, es necesario que vuelva al modo de control normal.

Cuando esté en modo temporizador diario, apague el aparato con el mando a distancia. Esto detendrá la potencia luminosa. La potencia térmica continuará según los ajustes del temporizador.

Ajuste de la temperatura programada

- 2b.40 Pulse el botón '+' o '-' para aumentar o disminuir la temperatura en función de la temperatura COMF.

COMF significa que la temperatura actual es la misma que la programada.

ECO significa que la temperatura actual es 2 °C menos que la temperatura programada.

ECO- significa 4 °C menos.

COMF+ significa 2 °C más.

COMF++ significa 4 °C más.


Control adaptable de inicio

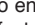
Según la temperatura ambiente y la temperatura establecida, el calefactor determinará automáticamente el momento apropiado para calentar para garantizar que se alcanza la temperatura establecida en el tiempo establecido (hasta 45 minutos antes del tiempo programado).

Modo avanzado

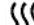
- 2b.41 El estado de la calefacción puede avanzar hasta el siguiente período tanto en el modo temporizador diario como semanal de la calefacción.




Si el calefactor está encendido en el período actual, al pulsar el botón  se apagará el calefactor.

Si el calefactor está apagado en el período actual, al pulsar el botón  se encenderá el calefactor.

Si la calefacción actual se enciende o se apaga también depende de la temperatura ambiente y de la temperatura programada.

- 2b.42 Pulse  **A** para introducir el modo avanzado bajo el modo temporizador diario y semanal de la calefacción **A** que se mostrará en la esquina superior derecha de la pantalla.

- 2b.43 Pulse  **A** de nuevo o el período del temporizador expirará y se saldrá del modo avanzado.

Detección de ventana abierta

- 2b.44 Cuando el transmisor detecte una rápida disminución de la temperatura ambiente, se considerará como una ventana abierta: se mostrará el icono de advertencia y la calefacción se apagará automáticamente.



- 2b.45 Después de que la temperatura interior aumente o por intervención manual (al accionar el mando a distancia), volverá al estado de funcionamiento normal.

3. Suite Modular Trento

Consulte las instrucciones de la Suite Modular Trento PR2453EU.

4. Mantenimiento

- 4.1 **ANTES DE INICIAR CUALQUIER TRABAJO DE MANTENIMIENTO PROCÉDASE A DESENCHUFAR EL APARATO.**

LIMPIEZA

- 4.2 Limpie la cubierta exterior solamente cuando esté fría. No utilice limpiadores abrasivos.

LIMPIEZA DEL VIDRIO

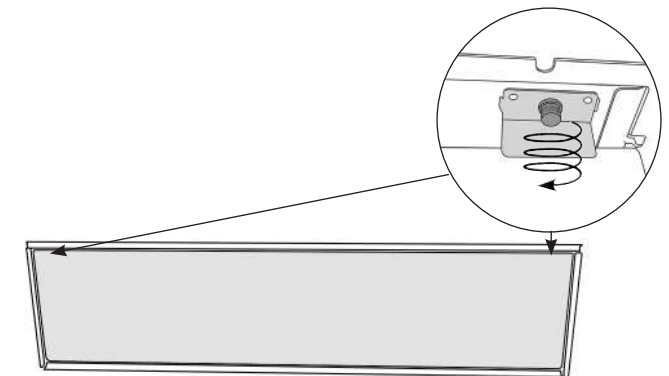
- 4.3 Limpie la parte delantera con un paño húmedo y con un limpiador que no deje pelusa.

Precaución: No utilice limpiadores abrasivos en el panel de cristal. No rocíe líquidos directamente sobre ninguna superficie de la unidad.

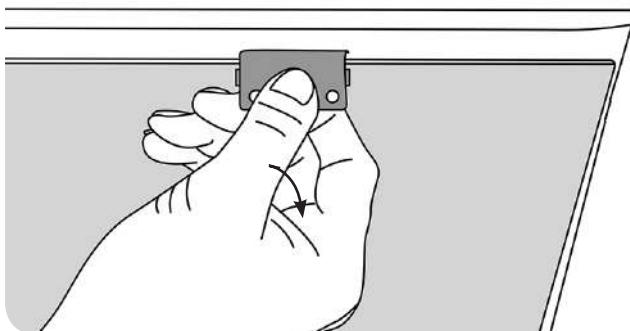
LIMPIEZA DEL EFECTO DE COMBUSTIBLE

Para acceder al efecto de combustible, es necesario quitar el panel del visor de cristal.

- 4.4 Compruebe que el aparato está desenchufado.
- 4.5 En la parte superior de cada esquina del panel visor de cristal hay una abrazadera que sujeta el cristal; consulte el diagrama.



- 4.6 Apoye el cristal y afloje y quite las 2 abrazaderas. Puede desenroscarlas con las manos.
- 4.7 Con cuidado, incline el cristal hacia adelante y levante de la bandeja inferior para sacarlo del aparato; consulte el diagrama.



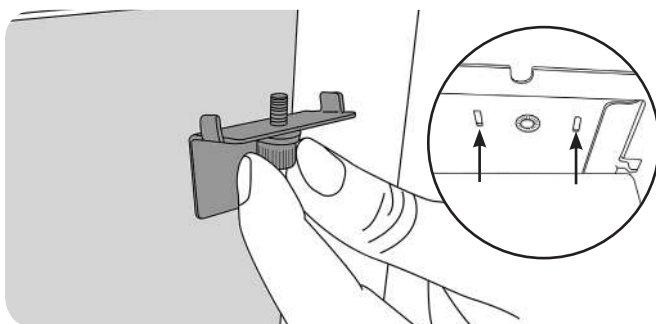
Ahora puede acceder al efecto de combustible.

- 4.8 Quite y lave el efecto de combustible para eliminar las partículas de polvo. También puede limpiar con un limpiador que no suelte pelusa.
Antes de volver a colocarlo, compruebe que el efecto está seco.

Vuelva a colocar el efecto de combustible. Consulte la posición en la sección Instrucciones de instalación.

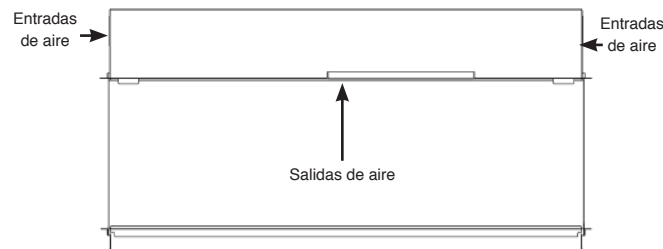
- 4.9 Reponga el cristal siguiendo las instrucciones a la inversa.

Al volver a colocar las abrazaderas, compruebe que las pestañas se encajan en las ranuras del aparato; consulte el diagrama.



LIMPIEZA DE LAS ENTRADAS DE AIRE

- 4.10 Asegúrese de que el aparato está desenchufado.
- 4.11 Limpie las entradas y salida de aire regularmente con un paño suave o la boquilla de una aspiradora.



La acumulación de polvo puede inhibir el desempeño eficiente del ventilador y de llevar a la desconexión de seguridad de funcionamiento.

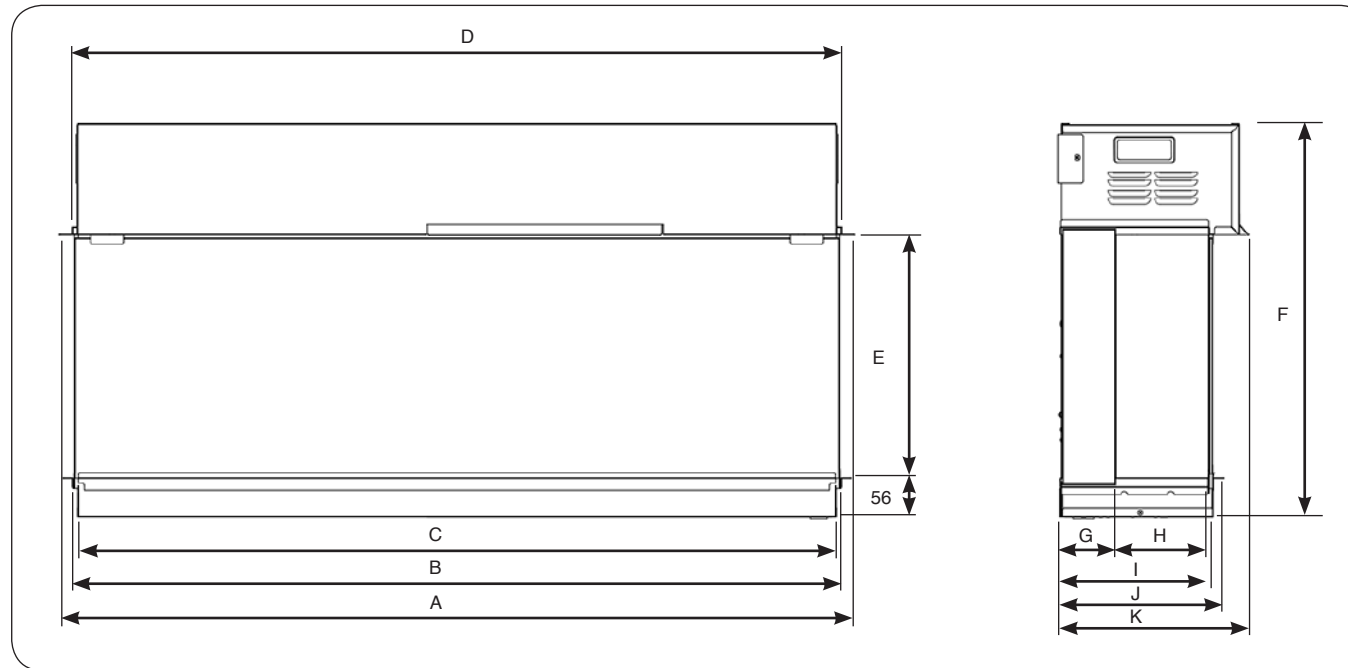
- 4.12 Mantenga la zona cercana a la estufa, limpia, sin polvo ni cabellos.
- 4.13 En particular, se puede acumular polvo, etc., por la zona de la calefacción de la parte superior del aparato. Es muy importante mantener la zona de la estufa libre de suciedad que pueda circular por el interior del aparato, pudiendo propiciar averías.

SUSTITUCIÓN DE LA PILA

- 4.14 Cuando la batería del mando se esté agotando, debe sustituirse de forma inmediata. Coloque la batería nueva correctamente y deseche la antigua correctamente en un punto de reciclaje.

Installation Instructions/ Instructions D'installation/ Installatie-Instructies/ Istruzioni Di Installazione/ Instruksjoner For Installasjon/ Instrucciones De Instalación

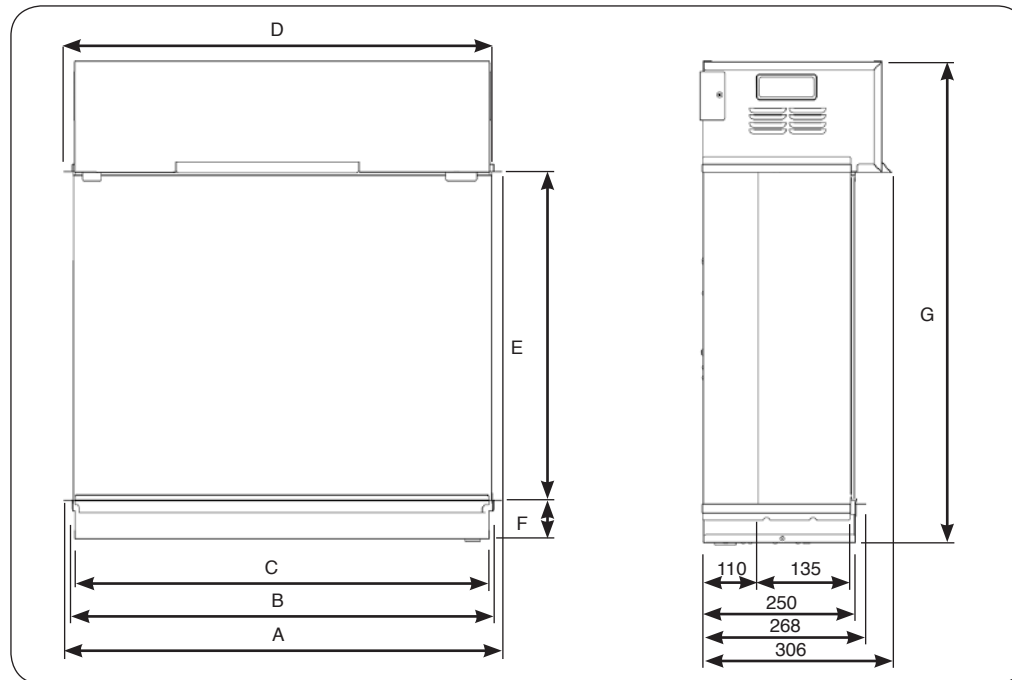
eReflex 70W	eReflex 110W
210-040EU	210-056EU



	A	B	C	D	E	F	G	H	I	J	K
eReflex 70W	754	710	700	716	352	569	80	135	220	238	276
eReflex 110W	804	760	750	766	752	969	110	135	250	268	306

Installation Instructions/ Instructions D'installation/ Installatie-Instructies/ Istruzioni Di Installazione/ Instruksjoner For Installasjon/ Instrucciones De Instalación

eReflex 55W	eReflex 75W
210-088EU	210-094EU



	A	B	C	D	E	F	G
eReflex 55W	604	560	550	566	560	56	769
eReflex 75W	804	760	750	766	752	56	969

- EN:** A 230V 13 Amp 50Hz supply is required
Maximum power consumption:
- FR:** Une alimentation électrique de 230V, 13A, 50Hz est requise.
La consommation électrique maximale:
- NL:** Een 230V, 13A, 50 Hz voeding is vereist.
Maximaal energieverbruik:
- IT:** È necessaria un'alimentazione da 230V 13 ampere, 50Hz
Consumo di corrente massimo:
- NO:** Det kreves 230V 13A 50Hz strømtilførsel
Maksimum strømforbruk:
- ES:** Se requieren 230V 13 Amp y 50Hz
Máximo consumo:

eReflex 55W	2000 Watts
eReflex 70W	2000 Watts
eReflex 75W	2000 Watts
eReflex 110W	2000 Watts

- EN:** A 1.8 metre lead with plug is supplied.
Only use a BS1362 13A fuse with this appliance.
2 x Remote control handset battery (AAA)
- FR:** L'appareil est fourni avec un câble électrique de 1,80 m de long équipé d'une prise de courant.
2 x Pile de la commande à distance (AAA).
- NL:** Er wordt een kabel van 1.8 meter met een stekker
2 x Batterij afstandsbediening (AAA).
- IT:** Viene fornito un cavo di 1,8 m con una spina.
2 x Batteria del telecomando (AAA)
- NO:** En 1,8 m lang ledning med støpsel.
2 x Batteri til fjernkontrol (AAA).
- ES:** Se suministra un cable de 1,8 metros con enchufe.
2 x Batería (AAA)



EN: THIS APPLIANCE MUST BE EARTHED
FR: CET APPAREIL DOIT ÊTRE RELIÉ À LA TERRE
NL: DIT APPARAAT MOET WORDEN GEAARD
IT: QUESTO APPARECCHIO DEVE ESSERE PROVISTO DI MESSA A TERRA
NO: DENNE PEISEN MÅ TILKOBLES JORD
ES: ESTE APARATO REQUIERE TOMA A TIERRA

Installation Instructions/ Instructions D'installation/ Installatie-Instructies/ Istruzioni Di Installazione/ Instruksjoner For Installasjon/ Instrucciones De Instalación

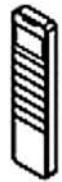
Control System Technical Data/ Données techniques du système de commande/ Controlesysteem technische data/ Dati tecnici del sistema di controllo/ Kontrollsystem teknisk data/ Datos técnicos del sistema de control: Todos los modelos			
	Main Control Board/ Tableau de commande principal/ Hoofdbedieningstafel/ Pannello di controllo principale/ Hoved-kontrollkort/ Placa de control principal	Remote Receiver Board/ Tableau du récepteur à distance/ Afstandontvangstafel/ Scheda ricevitore remoto/ Fjernmottager-kort/ Placa receptora a distancia	Remote Control/ Commande à distance/ Afstandsbediening/ Telecomando/ Fjernkontroll/ Mando a distancia
Hardware	RC01-041A04 V2	RF290B V1.2	RF290A-TX V1.3
Software/ Logiciel	RC01-041A04 V2	-	RF290C V06.0.HEX
Frequency/ Fréquence/ Frequentie/ Frequenza/ Frekvens/ Frecuencia	-	-	ASK/OOK 433.92MHz
Maximum Transmit Power/ Puissance de transmission maximum/ Maximale zendkracht/ Massima potenza di trasmissione/ Maksimal sendestrøm/ Potencia máxima de transmisión	-	-	10mW

PACKING CHECKLIST/ LISTE DE VÉRIFICATION DU CONDITIONNEMENT/ PAKLIJST/ ELENCO DI IMBALLAGGIO/ PAKKSEDEL OG SJEKKLISTE/ LISTADO DEL EMBALAJE

ALL MODELS/ TOUS LES MODÈLES/ ALLE MODELLEN/ TUTTI I MODELLI/ ALLE MODELLER/ TODOS LOS MODELOS



x1



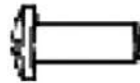
x1



x3 (AAA)



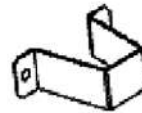
x4



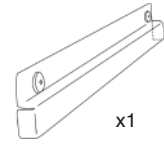
x6 (ST4x8)



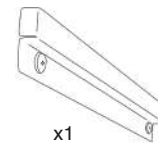
x1



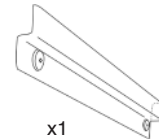
x1



x1



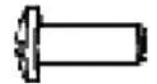
x1



x1



x10

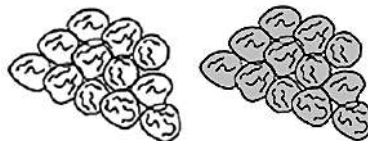


x10 (ST5x40)

Box/ Scatola/ Boks
1



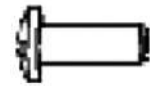
Box/ Scatola/ Boks
2



eReflex 110W



x14



x14 (ST5x40)

Installation Instructions

EN: 1. General

1.1 TOOLS REQUIRED

A Screw Driver, Spirit Level and Drill will be needed.

1.2 UNPACKING THE FIREPLACE

WARNING! DO NOT use this appliance if any part has been exposed to water.

Immediately call a qualified service technician to inspect and to replace any part of the electrical system if necessary.

- 1.3 Open the packaging carefully and remove the polystyrene. Remove and discard the plastic bag. Keep plastic wrapping away from children. Be responsible when handling the packing materials.

- 1.4 Check all parts and accessories are removed before disposing of any packaging. If necessary keep the original packaging for future transport and/or storage.

2. Fitting the Appliance



ENSURE THAT THE MAINS SUPPLY IS ISOLATED.

2.1 Locating the eReflex

Your new eReflex may be installed virtually anywhere in your home. However, when choosing a location ensure that the general instructions are followed.

- 2.2 For best results, install out of direct sunlight.

- 2.3 **Make sure there are no pipes or cables behind the area to be drilled or cut.**

- 2.4 **Before installation ensure that the wall is suitably constructed to support the weight of the appliance.**

- 2.5 The appliance should ideally be located close to a suitable mains socket to enable connection. An extension could be run from an existing socket outlet but this must be carried out by a suitably qualified electrical engineer. The electrical socket must be easily accessible to allow disconnection when the appliance is fitted.

- 2.6 If access to the underside of the appliance will be limited after installation is complete, ensure the plug connection on the underside of the appliance has been considered.



This appliance must be fixed to the wall using the wall mounting bracket provided.

The installation can then be finished in one of the following ways;

1. Installation with a Trento Modular Suite.
See Installation Instructions supplied with the Trento (PR2453EU).

2. Installation into a custom built setting.
Note: If installing the appliance into a custom built corner installation the side brackets will need to be replaced with the 2 brackets supplied, see Section 6.

- 2.7 If the power cord is damaged, it must be repaired by the manufacturer, its authorised service centre or professional person.

- 2.8 Ensure that curtains and furniture are not positioned close to the chosen position, as this would create a potential fire hazard or block the heater outlet ducts.

WARNING! KEEP ALL COMBUSTIBLE MATERIALS AT LEAST 1M FROM THE FRONT OF THE ELECTRIC FIREPLACE.

Optional Extras

- 2.9 This appliance can be installed with an optional decorative trim to finish the installation. For details please contact your Gazco retailer.

Product Code	Description
910-293	eReflex 55W Centre Metal Trim
910-271	eReflex 55W Left Hand Corner Metal Trim
910-282	eReflex 55W Right Hand Corner Metal Trim
910-113	eReflex 70W Centre Metal Trim
910-091	eReflex 70W Left Hand Corner Metal Trim
910-102	eReflex 70W Right Hand Corner Metal Trim
910-326	eReflex 75W Centre Metal Trim
910-304	eReflex 75W Left Hand Corner Metal Trim
910-315	eReflex 75W Right Hand Corner Metal Trim
910-146	eReflex 110W Centre Metal Trim
910-124	eReflex 110W Left Hand Corner Metal Trim
910-135	eReflex 110W Right Hand Corner Metal Trim

Instructions D'installation

FR: 1. Généralités

1.1 OUTILS NÉCESSAIRES

Un tournevis, un niveau et une perceuse.

1.2 DÉBALLAGE DE L'APPAREIL

ATTENTION ! NE PAS utiliser cet appareil si l'un de ses composants a été exposé à l'eau.

Faire appel immédiatement à un technicien de service qualifié pour inspecter et remplacer tout composant du système électrique, le cas échéant.

- 1.3 Ouvrir l'emballage avec précaution et enlever le polystyrène. Enlever et disposer du sac en plastique. Conserver les emballages en plastique hors de la portée des enfants. Soyez responsable lors de la manutention des matériaux d'emballage.

- 1.4 Avant de disposer de l'emballage, vérifier qu'il ne contient aucun composant ou accessoire. Au besoin, conserver l'emballage d'origine pour un transport et/ou entreposage futur.

2. Installation De L'appareil



S'ASSURER QUE L'ALIMENTATION SECTEUR EST ISOLÉE.

2.1 Choix de l'emplacement du eReflex Électrique

Votre nouveau eReflex Électrique peut être installé pratiquement n'importe où chez vous. Toutefois lors du choix de l'emplacement respecter les instructions générales suivantes.

- 2.2 Pour les meilleurs résultats possibles, éviter de l'installer directement en plein soleil.

- 2.3 **Assurez-vous qu'il n'y a pas de tuyaux ou de câbles derrière la zone à être percés ou coupés.**

- 2.4 **Avant de procéder à l'installation, s'assurer que le mur soit construit correctement afin de pouvoir supporter le poids de l'appareil.**

- 2.5 L'appareil doit être installé à proximité d'une prise de courant appropriée pour en permettre le branchement. Une extension peut être exécuté à partir d'une prise de courant existante, mais cela doit être effectuée par un ingénieur électricien qualifié. La prise électrique doit être facile d'accès pour permettre le débranchement une fois l'appareil installé.

- 2.6 Si l'accès au-dessous de l'appareil est limité après l'installation, veuillez à ce que le branchement du connecteur sur le dessous de l'appareil ait été pris en compte.



Cet appareil doit être fixé au mur en utilisant le support de montage mural fourni.

L'installation peut ensuite être terminée de l'une des manières suivantes ;

1. Installation avec une Gamme modulaire Trento. Voir les instructions d'installation fournies avec le Trento (PR2453EU).

2. Installation dans un milieu construit de manière personnalisée.

Remarque : Si vous installez l'appareil dans un angle construit de manière personnalisée, les supports latéraux devront être remplacés par les 2 supports fournis, voir la Section 6.

- 2.7 Si le câble d'alimentation électrique est endommagé, ne pas utiliser l'appareil jusqu'à ce qu'il ait été remplacé. Pour des questions de sécurité, le remplacement doit être effectué bien par un électricien compétent.

- 2.8 Veiller à ce que les rideaux et les meubles ne sont pas positionnés à proximité de la position choisie, car cela créerait un risque d'incendie ou de bloquer les conduits de sortie de chauffage.

AVERTISSEMENT ! CONSERVER LES MATÉRIAUX COMBUSTIBLES À AU MOINS 1 M DE DISTANCE DU DEVANT ET DES CÔTÉS DE L'APPAREIL ÉLECTRIQUE.

Extras en option

- 2.9 Cet appareil peut être installé avec une garniture décorative facultative pour finir l'installation. Pour en savoir plus veuillez contacter votre revendeur Gazco.

Code produit	Description
910-293	eReflex 55W Garniture en métal centrale
910-271	eReflex 55W Garniture en métal de coin gauche
910-282	eReflex 55W Garniture en métal de coin droit
910-113	eReflex 70W Garniture en métal centrale
910-091	eReflex 70W Garniture en métal de coin gauche
910-102	eReflex 70W Garniture en métal de coin droit
910-326	eReflex 75W Garniture en métal centrale
910-304	eReflex 75W Garniture en métal de coin gauche
910-315	eReflex 75W Garniture en métal de coin droit
910-146	eReflex 110W Garniture en métal centrale
910-124	eReflex 110W Garniture en métal de coin gauche
910-135	eReflex 110W Garniture en métal de coin droit

NL: 1. Algemeen

1.1 BENODIGD GEREEDSCHAP

Er zullen een schroevendraaier, een waterpas en een boor nodig zijn.

1.2 DE OPEN HAARD UITPAKKEN

WAARSCHUWING! Dit apparaat NIET gebruiken als er onderdelen aan water blootgesteld zijn geweest.

Bel onmiddellijk een erkende installateur om een inspectie te laten uitvoeren en vervang, indien nodig, onderdelen van het elektrische systeem.

1.3 De verpakking zorgvuldig openen en verwijder het polystyreen. Verwijder de plastic zak en gooi deze weg. Houd plastic verpakkingsmateriaal uit de buurt van kinderen. Wees verantwoordelijk bij het hanteren van het verpakkingsmateriaal.

1.4 Controleer of alle onderdelen en accessoires verwijderd zijn voordat de verpakking weggegooid wordt. Bewaar de originele verpakking, indien nodig, voor toekomstig transport en/of opslag.

2. Het Apparaat Plaatsen



ZORG ERVOOR DAT DE STROOMTOEVOER IS ONTKOPPELD.

2.1 De eReflex Electric plaatsen

Uw nieuwe eReflex Electric kan bijna overal in uw huis worden geïnstalleerd. Zorg er echter bij het kiezen van een locatie voor dat de standaard instructies worden opgevolgd:

2.2 Voor het beste resultaat niet in direct zonlicht installeren.

2.3 **Zorg ervoor dat er geen leidingen of kabels achter het gebied te boren of te snijden.**

2.4 **Zorg ervoor de installatie voor dat de wand stabiel is geconstrueerd om het gewicht van het apparaat te ondersteunen.**

2.5 Het apparaat moet dicht bij een geschikt stopcontact geplaatst worden om de aansluiting mogelijk te maken. Een verlenging kan worden uitgevoerd vanaf een bestaand stopcontact, maar dit moet door een gekwalificeerde elektrotechnicus worden uitgevoerd. Het stopcontact moet gemakkelijk toegankelijk zijn om de stekker eruit te kunnen trekken wanneer het apparaat geïnstalleerd is.

2.6 Als het bereiken van de onderkant van het toestel moeilijk blijkt nadat de installatie compleet is, controleer dan of de stekkerverbinding aan de onderkant van het toestel is meegenomen.



Dit toestel moet worden bevestigd aan de wand door gebruik te maken van de bijgeleverde wandbevestigingsbeugel.

De installatie kan dan worden voltooid op één van de volgende manieren;

1. Installatie met een Trento Moduleconfiguratie. Zie installatieinstructies bijgeleverd bij de Trento (PR2453EU).

2. Installatie in een op maat gemaakte opstelling. Opmerking: Als het toestel in een op maat gemaakte hoek wordt geïnstalleerd, moeten de zijbeugels worden vervangen met de 2 bijgeleverde beugels, zie Sectie 6.

2.7 Als de voedingskabel beschadigd is, moet deze door de fabrikant, een geautoriseerd service centrum of een vakman gerepareerd worden.

2.8 Zorg ervoor dat gordijnen en meubels niet zijn geplaatst in de buurt van de gekozen positie, aangezien dit een potentieel brandgevaar zou maken of blokkeren van de verwarming uitlaat leidingen.

WAARSCHUWING! HOUD ALLE BRANDBARE MATERIELEN MINIMAAL 1 METER UIT DE BUURT VAN DE VOOR- EN ZIJKANTEN VAN DE ELEKTRISCHE HAARD.

Optionele Extra's

2.9 Dit toestel kan worden geïnstalleerd met een optionele decoratieve uitrusting bij voltooiing van de installatie. Neem voor details a.u.b. contact op met uw Gazco-verkoper.

Onderdeel nummer	Beschrijving
910-293	eReflex 55W Metalen middenuitrusting
910-271	eReflex 55W Metalen linkerhoekuitrusting
910-282	eReflex 55W Metalen rechterhoekuitrusting
910-113	eReflex 70W Metalen middenuitrusting
910-091	eReflex 70W Metalen linkerhoekuitrusting
910-102	eReflex 70W Metalen rechterhoekuitrusting
910-326	eReflex 75W Metalen middenuitrusting
910-304	eReflex 75W Metalen linkerhoekuitrusting
910-315	eReflex 75W Metalen rechterhoekuitrusting
910-146	eReflex 110W Metalen middenuitrusting
910-124	eReflex 110W Metalen linkerhoekuitrusting
910-135	eReflex 110W Metalen rechterhoekuitrusting

Istruzioni Di Installazione

IT: 1. Generali

1.1 STRUMENTI NECESSARI

Un cacciavite, una livella e un trapano.

1.2 DISIMBALLAGGIO DEL CAMINETTO

ATTENZIONE! NON usare questo apparecchio se una parte qualsiasi è stata esposta all'acqua.

Chiamare immediatamente un tecnico dell'assistenza qualificato per l'ispezione e la riparazione di qualsiasi parte dell'impianto elettrico, se necessario.

1.3 Aprire attentamente la confezione e rimuovere il polistirolo. Rimuovere e gettare la busta di plastica.

Tenere l'involucro di plastica fuori dalla portata dei bambini. Prestare attenzione durante la manipolazione dei materiali di imballaggio.

1.4 Controllare che tutte le parti e gli accessori siano stati rimossi prima di gettare gli imballaggi. Se necessario, conservare la confezione originale per il trasporto e/o lo stoccaggio futuri.

2. Installazione Dell'apparecchio



ASSICURARSI CHE L'ALIMENTAZIONE DI RETE SIA ISOLATA.

2.1 Posizionamento di eReflex

Il nuovo eReflex può essere installato praticamente in qualsiasi punto della casa. Tuttavia, nella scelta della posizione, seguire le istruzioni generali.

2.2 Per i migliori risultati, installarlo lontano dalla luce solare diretta.

2.3 **Assicurarsi che non vi siano tubi o cavi dietro la zona da forare o tagliati.**

2.4 **Prima dell'installazione assicurarsi che la parete sia costruita in modo adeguato per sostenere il peso dell'apparecchio.**

2.5 L'apparecchio deve essere posizionato vicino a una presa elettrica adatta per consentire il collegamento. Un'estensione può essere eseguito da una presa esistente, ma ciò deve essere effettuato da un tecnico elettrico qualificato. La presa elettrica deve essere facilmente accessibile per consentire lo scollegamento una volta montato l'apparecchio.

2.6 Se al termine dell'installazione l'accesso alla parte inferiore dell'apparecchio è limitato, assicurarsi che sia possibile raggiungere la presa di collegamento nella parte inferiore dell'apparecchio.



Questo apparecchio deve essere fissato alla parete utilizzando la staffa di montaggio a parete fornita.

L'installazione può quindi essere completata in uno dei seguenti modi;

1. Installazione con una Suite modulare Trento. Vedere le istruzioni di installazione fornite con Trento (PR2453EU).

2. Installazione in un'impostazione personalizzata. Nota: Se si installa l'apparecchio in un'installazione ad angolo personalizzata, le staffe laterali dovranno essere sostituite con le 2 staffe in dotazione, vedere la Sezione 6.

2.7 Se il cavo di alimentazione è danneggiato, non utilizzare l'apparecchio finché non viene sostituito. Per motivi di sicurezza, la sostituzione deve essere effettuata da un responsabile dell'assistenza elettricista.

2.8 Assicurarsi che tende e mobili non sono posizionati in prossimità della posizione scelta, in quanto ciò creerebbe un potenziale rischio di incendio o ostruire i condotti di scarico del riscaldatore.

ATTENZIONE! TENERE QUALSIASI MATERIALE COMBUSTIBILE AD ALMENO 1 M DI DISTANZA DALLA PARTE ANTERIORE E DAI LATI DEL CAMINETTO ELETTRICO.

Extra opzionali

2.9 Questo apparecchio può essere installato con un rivestimento decorativo opzionale per completare l'installazione. Per ulteriori dettagli, contattare il rivenditore Gazco.

Codice parte	Descrizione
910-293	eReflex 55W Rivestimento centrale di metallo
910-271	eReflex 55W Rivestimento di metallo angolo sinistro
910-282	eReflex 55W Rivestimento di metallo angolo destro
910-113	eReflex 70W Rivestimento centrale di metallo
910-091	eReflex 70W Rivestimento di metallo angolo sinistro
910-102	eReflex 70W Rivestimento di metallo angolo destro
910-326	eReflex 75W Rivestimento centrale di metallo
910-304	eReflex 75W Rivestimento di metallo angolo sinistro
910-315	eReflex 75W Rivestimento di metallo angolo destro
910-146	eReflex 110W Rivestimento centrale di metallo
910-124	eReflex 110W Rivestimento di metallo angolo sinistro
910-135	eReflex 110W Rivestimento di metallo angolo destro

Instruksjoner For Installasjon

NO: 1. Generell Informasjon

1.1 NØDVENDIG VERKTØY

Du trenger en skrutrekker, et vater og en drill.

1.2 UTPAKKING AV DEN ELEKTRISKE PEISEN

ADVARSEL! IKKE bruk denne peisen hvis noen del har vært utsatt for vann.

Kontakt en kvalifisert tekniker umiddelbart for å inspisere og bytte ut aktuelle deler av det elektriske anlegget dersom det er nødvendig.

1.3 Åpne innpakningen forsiktig, og fjern polystyrenet.

Ta av plastposen og kast den.
Hold plastemballasjen unna barn.
Behandle emballasjematerialet på en ansvarlig måte.

1.4 Sjekk at alle deler og alt tilbehør er tatt ut før du kvitter deg med emballasjen.

Om nødvendig kan du beholde originalemballasjen for fremtidig transport og/eller lagring.

2. Montere Peisen



PÅSE AT HOVEDSTRØMFORSYNINGEN ER ISOLERT.

2.1 Plassering av eReflex Electric-modellen

Din nye eReflex Electric kan faktisk installeres hvor som helst i hjemmet ditt. Når du velger plassering, er det imidlertid viktig at generelle instruksjoner følges.

2.2 For best resultat, installer vekk fra direkte sollys.

2.3 Pass på at det ikke er noen rør eller ledninger bak området som skal bores eller kuttet.

2.4 Før installasjon må du påse at veggens konstruksjon er egnet til å bære vekten av apparatet.

2.5 Peisen bør plasseres nært en egnet strømkontakt. En utvidelse kan kjøres fra en eksisterende stikkontakt, men dette må utføres av en kvalifisert elektriker. Strømkontakten skal være lett tilgjengelig slik at strømmen kan kobles fra når peisen er montert.

2.6 Dersom adgangen til undersiden av apparatet vil bli begrenset etter monteringen er fullført, sørg for at plugg-tilkoblingen på undersiden av apparatet har blitt veloverveid.



Dette apparatet må festes til veggen ved bruk av den medfølgende veggmonteringsbraketten.

Monteringen kan deretter fullføres på én av følgende måter;

1. Montering med en Trento Modular Suite.
Se monteringsveiledningen som følger med Trento (PR2453EU).

2. Montering inn i en spesialbygd ramme.
Merk: Dersom du monterer apparatet inn i en spesialbygd hjørne-ramme, må sidebrakettene skiftes ut med de to medfølgende brakettene, se avsnitt 6.

2.7 Hvis strømledningen er skadet, må den repareres av produsenten, dens autorisert servicesenter eller profesjonell person.

2.8 Sørg for at gardiner og møbler ikke er plassert nær den valgte posisjon, da dette ville skape en potensiell brannfare eller blokkere varmeapparat utløpskanaler.

ADVARSEL! HOLD ALLE TYPER BRENNBARE MATERIALER MINST 1 M UNNA FRONTEN OG SIDENE PÅ DEN ELEKTRISKE PEISEN.

Ekstraustyr

2.9 Dette apparatet kan monteres med en valgfri dekorativ list for å fullføre monteringen. For detaljer, vennligst kontakt din Gazco-forhandler.

Produktkode	Beskrivelse
910-293	eReflex 55W Midtre metall-list
910-271	eReflex 55W Venstre hjørne metall-list
910-282	eReflex 55W Høyre hjørne metall-list
910-113	eReflex 70W Midtre metall-list
910-091	eReflex 70W Venstre hjørne metall-list
910-102	eReflex 70W Høyre hjørne metall-list
910-326	eReflex 75W Midtre metall-list
910-304	eReflex 75W Venstre hjørne metall-list
910-315	eReflex 75W Høyre hjørne metall-list
910-146	eReflex 110W Midtre metall-list
910-124	eReflex 110W Venstre hjørne metall-list
910-135	eReflex 110W Høyre hjørne metall-list

Instrucciones De Instalación

ES: 1. Generalidades

1.1 HERRAMIENTAS REQUERIDAS

Necesitará un destornillador, un nivel y un taladro.

1.2 DESEMBALADO DE LA ESTUFA

¡AVISO! NO utilice este aparato si cualquiera de sus piezas ha estado sumergida bajo el agua.

Si fuera necesario, llame inmediatamente a un técnico de servicio cualificado para inspeccionar y sustituir cualquier pieza del sistema eléctrico.

1.3 Abra con cuidado el embalaje y saque el poliestireno.

Extraiga y deseche la bolsa de plástico.

Mantenga siempre las bolsas de plástico alejadas de los niños. Sea responsable a la hora de manejar los materiales de embalaje.

1.4 Compruebe que haya sacado todas las piezas y accesorios antes de deshacerse de cualquier embalaje.

En caso necesario, conserve el embalaje original para un futuro almacenamiento o transporte de la unidad.

2. Instalación Del Aparato



COMPRUEBE QUE LA RED ELÉCTRICA ESTÁ AISLADA.

2.1 Emplazamiento de la eReflex

Su nueva eReflex puede ser emplazada prácticamente en cualquier lugar de la casa. Sin embargo, al escoger su ubicación, asegúrese de seguir estas instrucciones generales:

2.2 Para un mejor resultado, instálela fuera de la luz solar directa.

2.3 Asegúrese de que no hay tuberías o cables detrás de la zona a perforados o cortados.

2.4 Antes de la instalación, confirme que la construcción de la pared es adecuada para soportar el peso del aparato.

2.5 El aparato debe emplazarse próximo a un enchufe eléctrico apropiado para permitir su conexión. Una extensión se puede ejecutar desde una toma de corriente existente, pero esto debe ser realizado por un ingeniero eléctrico cualificado. Tal enchufe será de fácil acceso de manera que sea posible desconectar el aparato mientras se instala.

2.6 Si después de la instalación el acceso a la parte inferior de la unidad quedará limitado, verifique que se haya tomado en cuenta la conexión del enchufe en el lado inferior de la unidad.



Esta unidad debe fijarse a la pared usando el soporte de montaje en pared provisto.

Después, tiene las siguientes opciones para terminar la instalación.

1. Instalación con una Suite Modular Trento. Consulte las instrucciones de instalación provistas con la unidad Trento (PR2453EU).

2. Instalación personalizada. Nota: Para instalar la unidad en una esquina de forma personalizada, deberá reemplazar los soportes laterales con los dos soportes provistos (consulte la sección 6).

2.7 Si el cable de la tensión eléctrica se encontrara dañado, deberá ser reparado por el fabricante, su centro autorizado o un profesional.

2.8 Asegúrese de que las cortinas y los muebles no se colocan cerca de la posición elegida, ya que esto crearía un riesgo potencial de incendio o bloquear los conductos de salida del calentador.

¡AVISO! MANTENGA CUALQUIER MATERIAL COMBUSTIBLE A UNA DISTANCIA MÍNIMA DE UN METRO DEL FRONTAL Y LOS LATERALES DEL APARATO.

Extras opcionales

2.9 Esta unidad puede instalarse con una moldura decorativa (opcional), para dar un acabado a la instalación. Puede consultar los detalles al minorista de Gazco.

Código del producto	Descripción
910-293	eReflex 55W Moldura metálica central
910-271	eReflex 55W Moldura metálica de la esquina izquierda
910-282	eReflex 55W Moldura metálica de la esquina derecha
910-113	eReflex 70W Moldura metálica central
910-091	eReflex 70W Moldura metálica de la esquina izquierda
910-102	eReflex 70W Moldura metálica de la esquina derecha
910-326	eReflex 75W Moldura metálica central
910-304	eReflex 75W Moldura metálica de la esquina izquierda
910-315	eReflex 75W Moldura metálica de la esquina derecha
910-146	eReflex 110W Moldura metálica central
910-124	eReflex 110W Moldura metálica de la esquina izquierda
910-135	eReflex 110W Moldura metálica de la esquina derecha

3. Mounting Bracket/ Support de montage/ Bevestigingsbeugel/ Staffa di montaggio/ Monteringsbrakett/ Soporte de montaje

EN: The wall mounting bracket will need to be separated from the appliance.
Lay the appliance face down on a soft flat surface to avoid damage.

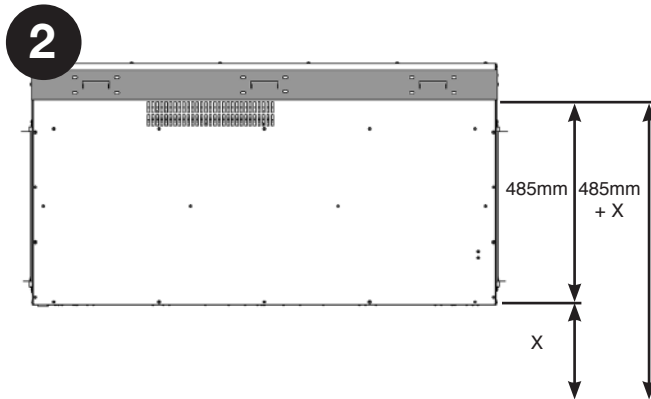
FR: Le support de montage mural devra être séparé de l'appareil.
Posez l'appareil avec la face vers le bas sur une surface plane molle pour éviter les dommages.

NL: De wandmontagebeugel zal moeten worden losgekoppeld van het toestel.
Leg het toestel naar beneden gericht op een zachte, gladde ondergrond om schade te voorkomen.

IT: La staffa di montaggio a parete dovrà essere separata dall'apparecchio.
Appoggiare l'apparecchio rivolto verso il basso su una superficie piana e morbida per evitarne il danneggiamento.

NO: Veggmonteringsbraketter må separeres fra apparatet.
Legg apparatet med fremsiden ned på et mykt flatt underlag for å unngå skade.

ES: El soporte de montaje en pared se debe separar de la unidad.
Apoye la unidad mirando hacia abajo sobre una superficie plana y blanda, para evitar daños.



i

EN: NOTE: If fitting a Trento surround add 30mm to the bottom of the appliance.

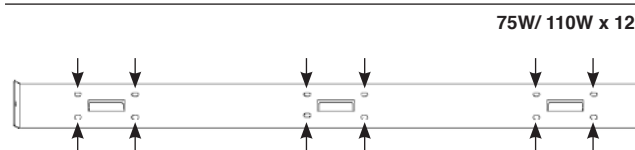
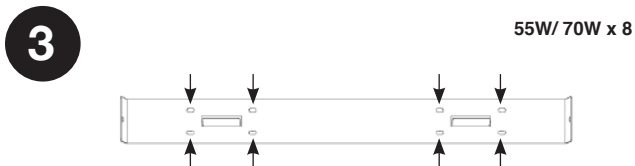
FR: REMARQUE : Si vous installez un habillage Trento, ajoutez 30mm au bas de l'appareil.

NL: OPMERKING: Indien een Trento omranding past, voeg dan 30mm toe aan de onderkant van het toestel.

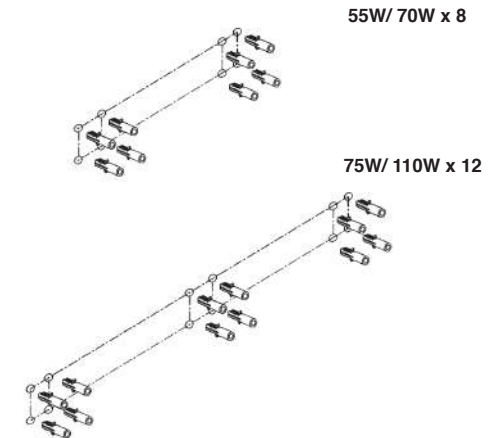
IT: NOTA: Se si monta un motivo Trento aggiungere 30 mm nella parte inferiore dell'apparecchio.

NO: MERK: Hvis du skal sette på en Trento-ramme, legg til 30 mm til bunnen av apparatet.

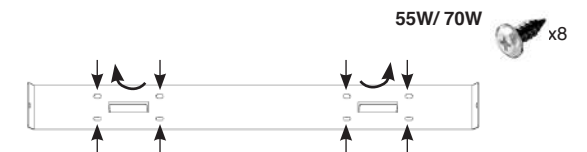
ES: NOTA: Si está instalando un entorno Trento, agregue 30 mm a la base de la unidad.



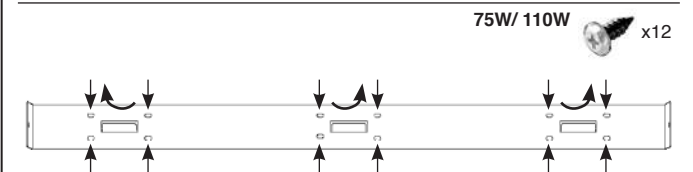
4



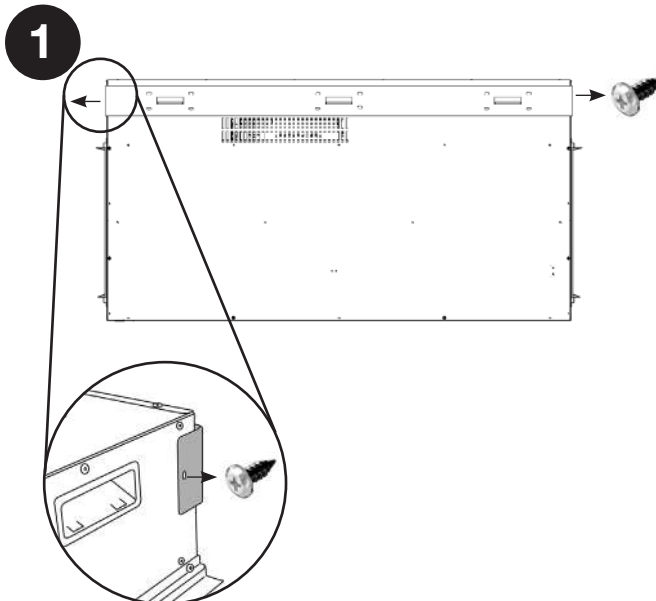
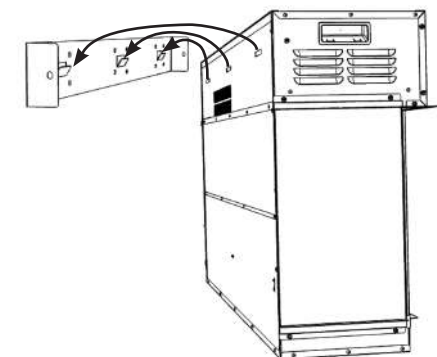
5



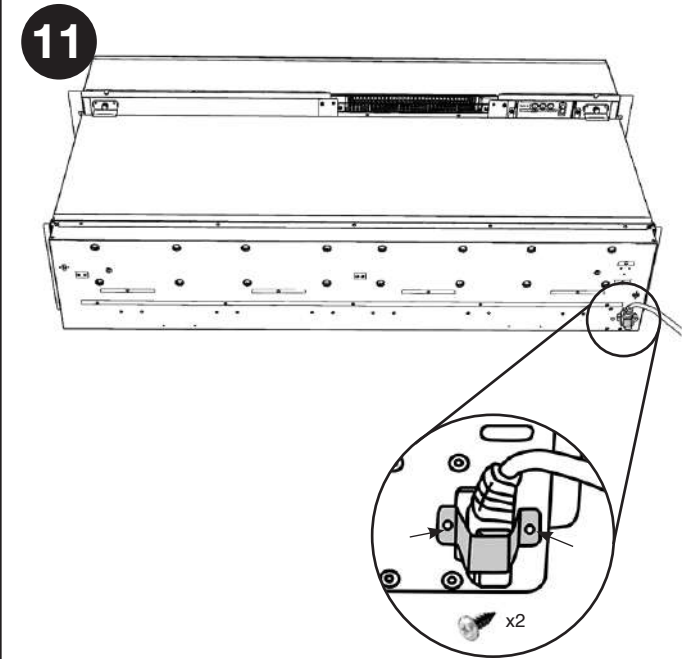
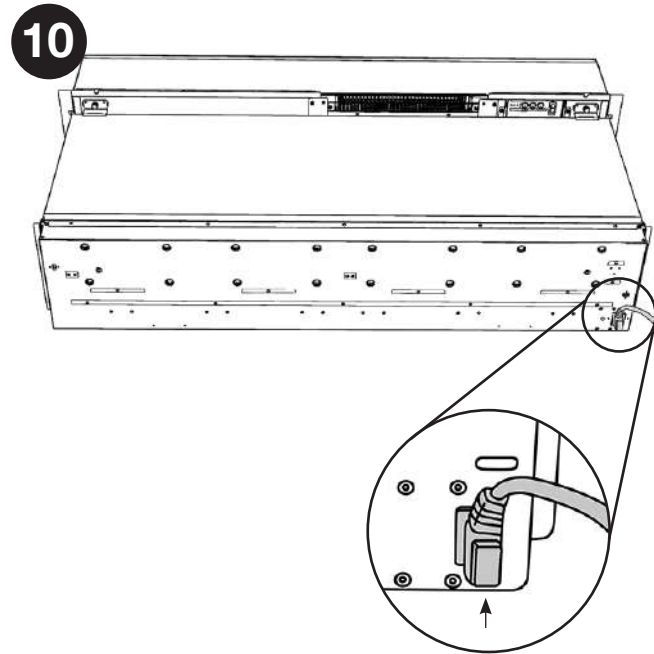
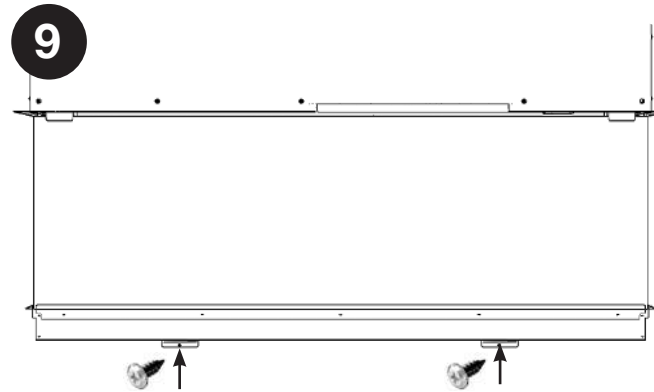
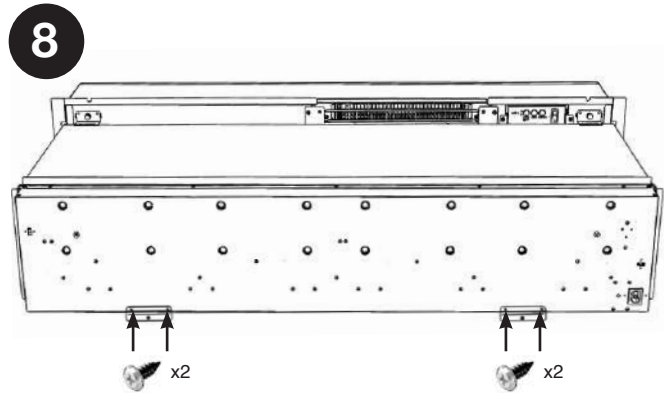
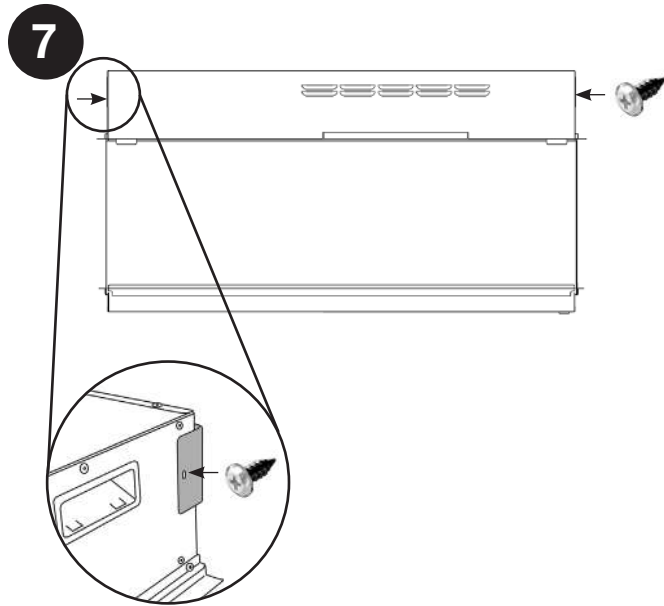
6



6



3. Mounting Bracket/ Support de montage/ Bevestigingsbeugel/ Staffa di montaggio/ Monteringsbrakett/ Soporte de montaje



4. Custom Installation/ Installation personnalisée/ Aangepaste installatie

The eReflex has been designed so that it can be wall mounted with a Trento Floating Shelf System or into a custom built studwork enclosure.

The heater should ideally be fitted into/onto an internal flat wall constructed from either studwork and plasterboard block/brick. Please ensure that suitable fixings are used when securing to any hollow or purpose built cavity.



Note: If installing the appliance into a custom built corner installation the side brackets will need to be replaced with the 3 Corner Side Glass Retainer brackets supplied, see Section 6 for fitting details.

This appliance is designed so combustible or non-combustible building materials may be used to finish up to the appliance casing.

The product is a zero clearance design.

Ensure that the stud or any materials used to seal the cavity (if required) do not obstruct the air vents on the top and sides of the appliance.

DO NOT PACK THE VOID AROUND OR ABOVE THE APPLIANCE WITH INSULATION MATERIALS SUCH AS MINERAL WOOL.

NOTE: REMOVING THE SIDE GLASS PANELS WILL NOT BE POSSIBLE FOLLOWING THIS INSTALLATION METHOD.

This product can be installed in the following configurations:

Non Recessed - the appliance is attached to a wall and studwork enclosures are built top and bottom and also anchored to the wall. This can be finished with 3 sides of glass Left, Right and Front visible or as a corner installation with Front and Left or Right glass panel visible depending on location.

Semi Recessed - the appliance can be built into a false chimney breast in order to hide the depth of the Black Glass Area leaving only the clear viewing area of the glass visible.

This can be finished with 3 sides of glass Left, right and Front visible or as a corner installation with front and left or right glass panel visible depending on location.

Le eReflex a été conçu pour être installé dans un mur en béton ou une ossature murale personnalisée.

Dans l'idéal, l'appareil de chauffage doit être installé dans/sur un mur plat interne à ossature ou en blocs de plâtre/briques. Veuillez à utiliser des fixations adaptées lors de l'installation sur un mur creux ou dans une cavité pratiquée sur mesure.



Remarque : Si vous installez l'appareil dans un angle construit de manière personnalisée, les supports latéraux devront être remplacés par les 3 supports de retenue de la vitre latérale de coin fournis, voir la section 6 pour avoir des informations détaillées sur le montage.

Cet appareil est conçu de manière à pouvoir utiliser des matériaux de construction combustibles ou non-combustibles pour la finition jusqu'à la structure d'habillage de l'appareil.

Ce produit est conçu pour permettre un dégagement nul.

S'assurer que le poteau de cloison ou les matériaux utilisés pour fermer l'ouverture (le cas échéant) ne bloquent pas les aérations sur le dessus et les côtés de l'appareil.

NE PAS COMBLER L'ESPACE SITUÉ AUTOUR OU AU-DESSUS DE L'APPAREIL AVEC DES MATÉRIAUX ISOLANTS TELS QUE DE LA LAINE MINÉRALE.

REMARQUE : IL NE SERA PAS POSSIBLE DE RETIRER LES PANNEAUX LATÉRAUX EN VERRE SI CETTE MÉTHODE D'INSTALLATION EST UTILISÉE.

Ce produit peut être installé dans les configurations suivantes :

Non encastré - l'appareil est fixé à un mur et des cloisons à poteaux sont construites au-dessus et en dessous et également fixées au mur. La finition peut prendre la forme de 3 faces en verre visibles à gauche, à droite et à l'avant, ou d'une installation en angle avec un panneau en verre visible à l'avant et à gauche ou à droite, en fonction de l'emplacement.

Semi-encastré - l'appareil peut être encastré dans une fausse cheminée pour masquer la profondeur de la zone en verre noir, ne laissant visible que la zone de verre transparent par laquelle le feu est visible. La finition peut prendre la forme de 3 faces en verre visibles à gauche, à droite et à l'avant, ou d'une installation en angle avec un panneau en verre visible à l'avant et à gauche ou à droite, en fonction de l'emplacement.

De eReflex is zo ontworpen dat het past op een gemetselde muur of op een op maat gemaakte gestuukte behuizing.

De verhitter dient idealiter te worden aangebracht op een inwendige vlakke muur die is gemaakt van studwerk of gipsplaatblok/-steen. Let op dat er geschikte bevestigingen worden gebruikt bij het aanbrengen in holle wanden of wanden met speciaal ingebouwde openingen.



Opmerking: Bij installatie van het apparaat in een hoekinstallatie op maat, moeten de zijbeugels worden vervangen door de 3 meegeleverde glashouderbeugels, zie hoofdstuk 6 voor de montagedetails.

Dit apparaat is ontworpen is zodanig ontworpen dat brandbare of niet-brandbare bouwmaterialen kunnen worden gebruikt tot aan de behuizing van het apparaat.

Het product is ontworpen zonder vrije ruimte.

Zorg dat de bout of andere materialen die worden gebruikt om de opening af te dekken (indien nodig) de ventilatieopeningen aan de boven- en zijkanten van het apparaat niet belemmeren.

PAK DE RUIMTE ROND OF BOVEN HET APPARAAT NOOIT IN MET ISOLATIEMATERIAAL, ZOALS MINERALE WOL.

OPMERKING: VERWIJDEREN VAN DE GLAZEN ZIJPANELEN IS NIET MOGELIJK BIJ VOLGEN VAN DEZE INSTALLATIEMETHODE.

Dit product kan worden geïnstalleerd in de volgende configuraties:

Niet ingebouwd - het apparaat wordt aan een wand bevestigd met daarboven en daaronder een raamwerkomsluiting die ook aan de wand wordt verankerd.

Dit kan worden afgewerkt met 3 zichtbare glazen panelen links, rechts en voor, of als hoekinstallatie met een glazen paneel voor en links of rechts, afhankelijk van de locatie.

Semi-ingebouwd - het apparaat kan worden ingebouwd in een valse schoorsteenmantel om de diepte van het zwarte glazen oppervlak te verbergen, zodat alleen het doorzichtige deel van het glas zichtbaar is. Dit kan worden afgewerkt met 3 zichtbare glazen panelen links, rechts en voor, of als hoekinstallatie met een glazen paneel voor en links of rechts, afhankelijk van de locatie.

4. Installazione personalizzata/ Spesialmontering/ Instalación personalizada

eReflex è stato progettato in modo tale da poter essere inserito in una parete in muratura o in una recinzione studiata appositamente.

La collocazione ideale del riscaldatore è in o su una parete piana interna realizzata con assicelle di legno e intonaco o in cartongesso. Assicurarsi di usare fissaggi adatti quando il montaggio avviene su pareti vuote o costruite appositamente.

i **Nota:** Se per l'apparecchio si effettua un'installazione ad angolo personalizzata, le staffe laterali dovranno essere sostituite con le 3 staffe di sostegno in vetro laterali in dotazione, vedere la sezione 6 per i dettagli sul montaggio.

Questo apparecchio è stato progettato in modo da poter usare materiali da costruzione combustibili o non combustibili per rifinire l'alloggiamento dell'apparecchio.

Il prodotto ha un design privo di gioco.

Assicurarsi che il perno o qualsiasi materiale utilizzato per sigillare la cavità (se necessario) non ostruisca le prese d'aria sulla parte superiore e sui lati dell'apparecchio.

NON RIEMPIRE I VUOTI INTORNO O SOPRA L'APPARECCHIO CON MATERIALI DI ISOLAMENTO COME LANA MINERALE.

NOTA: NON È POSSIBILE RIMUOVERE I PANNELLI DI VETRO LATERALI CON QUESTO MODO DI INSTALLAZIONE.

Questo prodotto può essere installato nelle seguenti configurazioni:

Non incassato - l'apparecchio è collegato a una parete e le intelaiature con perni si trovano in alto e in basso e anche fissate alla parete. Può essere rifinito con 3 lati di vetro a sinistra, a destra e di fronte trasparenti o, in caso di installazione ad angolo, con pannello frontale, sinistro e destro visibili a seconda della posizione.

Semi incassato - l'apparecchio può essere integrato in un falso camino frontale al fine di nascondere la profondità dell'area del vetro nero lasciando visibile solo la zona chiara del vetro trasparente. Questo può essere rifinito con 3 lati di vetro trasparenti a sinistra, destra e di fronte o come un'installazione d'angolo con pannelli anteriore e sinistro o destro visibili a seconda della posizione.

eReflex har blitt utviklet slik at den kan festes på en murvegg eller en spesialbygd ramme av reisverk.

Varmeapparatet bør ideelt sett monteres i/på en intern flat vegg konstruert av enten bindingsverk og gipsplateblokk/murstein. Vennligst se til at egnede fester brukes ved festing på en hul vegg eller spesialbygget hulrom.

i **Merk:** Dersom du monterer apparatet inn i en spesialbygd hjørne-ramme, må sidebrakettene skiftes ut med de 3 medfølgende hjørnesidebrakettene som holder glasset. Se avsnitt 6 for monteringsinstruksjoner.

Dette apparatet er utformet slik at brennbare eller ikke-brennbare byggematerialer kan brukes til å fullføre apparatets kledning.

Produktet har et nullklaringsdesign.

Sikre at bolter eller materialer benyttet til å forsegle hulrommet (hvis nødvendig) ikke forhindrer luftåpningene på toppen og på siden av apparatet.

IKKE FYLL HULROMMENE RUNDT ELLER OVER APPARATET MED ISOLASJONSMATERIALER SOM MINERALULL.

MERK: FJERNING AV SIDEGLOSSPANELER BLIR IKKE MULIG VED Å FØLGE DENNE INSTALLASJONSMETODEN.

Dette produktet kan installeres i følgende konfigurasjoner:

Ikke innfelt - apparatet er koblet til en vegg og reisverksramme er bygget på toppen og bunnen samt er forankret til veggen. Dette kan fullføres med tre sider (venstre, høyre og front) av glasset synlig. Eller som en hjørneinstallasjon med front og venstre eller høyre glasspaneler synlige, avhengig av plasseringen..

Delvis innfelt - apparatet kan bygges inn i et falskt skorsteinsbryst for å skjule dybden til det svarte glassområdet, og kun etterlate det klare visningsområdet til det synlige glasset.

Dette kan fullføres med tre sider (venstre, høyre og front) av glasset synlig. Eller som en hjørneinstallasjon med front og venstre eller høyre glasspaneler synlige, avhengig av plasseringen.

El modelo eReflex está diseñado para instalarse en pared con un sistema de estanterías flotantes Trento o bien en un recinto de entramado personalizado.

Idealmente, el calefactor debe colocarse dentro de una pared interna plana (o contra ella) de entramado y yeso o bloques/ladrillos. Al montar la unidad en un hueco o cavidad específicamente diseñados, verifique que se usen los elementos de sujeción adecuados.

i **Nota:** Para instalar la unidad en una esquina de forma personalizada, deberá reemplazar los soportes laterales con los tres soportes provistos para la esquina del vidrio lateral (consulte los detalles en la sección 6).

El diseño de esta unidad permite utilizar materiales combustibles o no combustibles para el acabado exterior.

El diseño del producto es de huelgo cero.

Verifique que el perno o los materiales que se utilicen para sellar la cavidad (si fuera necesaria) no obstruyan los respiraderos superiores y laterales de la unidad.

NO ATIBORRE EL HUECO ALREDEDOR O ARRIBA DE LA UNIDAD CON MATERIALES AISLANTES TALES COMO LA LANA MINERAL.

NOTA: DESPUÉS DE APLICAR ESTE MÉTODO DE INSTALACIÓN, NO SERÁ POSIBLE DESMONTAR LOS PANELES LATERALES DE VIDRIO.

Este producto puede instalarse con las siguientes configuraciones:

No embutida: la unidad se monta en la pared y se construyen recintos de entramado por encima y debajo, además de fijarse a la pared. El acabado pueden ser 3 lados visibles de vidrio (a la izquierda, a la derecha y al frente) o una instalación en un rincón con un panel de vidrio visible en el frente y otro a la derecha o a la izquierda, según la ubicación.

Semiembutida: la unidad puede instalarse en una falsa chimenea, para ocultar la profundidad de la zona de vidrio negro y dejar a la vista solo la zona de visión transparente del vidrio.

El acabado pueden ser 3 lados visibles de vidrio (a la izquierda, a la derecha y al frente) o una instalación en un rincón con un panel de vidrio visible en el frente y otro a la derecha o a la izquierda, según la ubicación.

5. 3 Sided Installation - non recessed/ Installation 3 faces - non encastrée/ Driezijdige installatie, niet ingebouwd/ Installazione a 3 lati: non incassato/ Tresidet installasjon – ikke innfelt/ Instalación con 3 lados, no embutida

EN: Note: All finished facing material should butt up cleanly to the flanges around the firebox opening. Rough edges will be visible from the front view. To maintain a clean finished edge - it is recommended to install the combustible facing material with the finished edge against the fireplace. Alternatively use trim or metal corner bead to cover cut edges of the facing material.

Position the mounting bracket in the desired location and fit the appliance.

FR: Remarque : Tous les matériaux de finition doivent être nets et jointifs avec les brides autour de l'ouverture du foyer. Les bords mal finis seront visibles depuis la face avant. Pour maintenir un bord fini bien net il est recommandé d'installer le matériau face au combustible avec le bord fini contre la cheminée. Ou bien on peut utiliser une baguette ou une cornière métallique pour recouvrir les bords du matériau de finition.

Positionner l'équerre de fixation à l'endroit souhaité et monter l'appareil.

NL: Opmerking: Alle afwerkingsmaterialen dienen goed aan te sluiten op de flenzen rondom de verbrandingskamer. Ruwe randen zijn zichtbaar vanaf de voorzijde. Om voor een strak afgewerkte rand te zorgen, wordt het aanbevolen brandbaar afwerkingsmateriaal te installeren met de afgewerkte rand tegen de haard. Als alternatief kan een lijst of metalen kraalhoek worden gebruikt om gezaagde randen van het afwerkingsmateriaal af te dekken.

Plaats de montagebeugel op de gewenste locatie en monteer het apparaat.

IT: Nota: Tutti i materiali di rifinitura del rivestimento devono essere inseriti perfettamente nelle flange attorno all'apertura del focolare. I bordi grezzi saranno visibili dalla vista frontale. Per mantenere un bordo finito pulito, si consiglia di installare il materiale a contatto con il combustibile con il bordo rifinito rivolto verso il camino. In alternativa, utilizzare un rivestimento o una modanatura d'angolo in metallo per coprire i bordi tagliati del materiale a contatto.

Posizionare la staffa di montaggio nella posizione desiderata e montare l'apparecchio.

NO: Merk: Alt ferdig overflatemateriale skal stå jevnt i kant mot flensene på brennkammeråpningen. Ujevne kanter blir synlige fra frontvisningen. For å opprettholde en ren ferdig kant – de anbefales å installere brennbare synlige materialer med ferdigkanten mot ildstedet. Alternativt benyttes list eller metallhjørnelist til å dekke over kantene på synlige materialer.

Posisjoner monteringsbraketten i ønsket retning og monter apparatet.

ES: Nota: Todo el material de acabado debe unirse a la perfección con las salientes de la abertura del hogar. Los bordes rugosos quedarán visibles al observar desde el frente. Para mantener un borde bien acabado, es recomendable instalar el material de acabado del combustible con el borde acabado contra el hogar. De manera alternativa, use una moldura o esquinero de metal para cubrir los bordes cortados del material de acabado.

Coloque el soporte de montaje en la posición que desee y monte la unidad.

Upper Enclosure/ Caisson supérieure/ Bovenste omsluiting/ Custodia superiore/ Øverste kabinett/ Recinto superior

EN: The upper enclosure can either create a floating shelf effect or a false chimney breast housing.

FR: Le caisson supérieur peut créer un effet de rayon flottant ou une fausse cheminée.

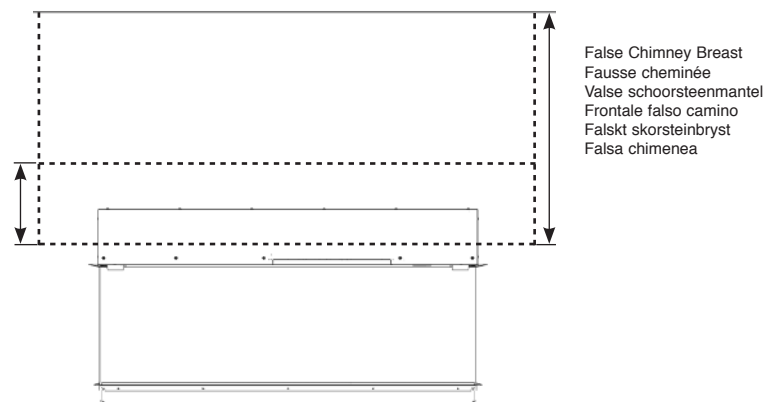
NL: De bovenste omsluiting kan een zwevende plank vormen of een valse schoorsteenmantel.

IT: L'involucro superiore può essere usato per creare un effetto mensola flottante o come alloggiamento frontale del falso camino.

NO: Det øvre kabinettet kan enten laget en flytende hylle, eller romme et falskt skorsteinsbryst.

ES: El recinto superior puede generar un efecto de estantería flotante o un espacio de falsa chimenea.

Floating shelf style: Min 175mm
Rayon flottant: Min 175mm
Zwevende plank: Min 175mm
Stile mensola flottante: Min 175mm
Flytende hyllestil: Min 175mm
Estilo de estantería flotante: Min 175mm



5. 3 Sided Installation - non recessed/ Installation 3 faces - non encastrée/ Driezijdige installatie, niet ingebouwd/
Installazione a 3 lati: non incassato/ Tresidet installasjon – ikke innfelt/ Instalación con 3 lados, no embutida



EN: Ventilation to the upper section enclosure with a free area of no less than 52.5cm² must be provided.

Vent(s) should be positioned on the underside of the top section of the enclosure close to the glass side(s).

This can be positioned to one side of the appliance as a large singular vent or two smaller ones on either side this will determine the size and shape of the enclosure, see Diagram.

FR: Il faut prévoir une ventilation du caisson supérieur ayant une surface libre égale ou supérieure à 52,5cm²

Il faut positionner les aérations sur la face inférieure du caisson supérieur, près du/des côté/s en verre.

La ventilation peut être implantée d'un côté de l'appareil sous forme d'une grande aération ou de deux aérations plus petites de chaque côté. Ce choix déterminera la taille et la forme du caisson, voir le schéma.

NL: Er dient voor ventilatie naar de bovenste omsluiting met een vrij oppervlak van minimaal 52,5 cm² te worden gezorgd.

Afvoerkanalen dienen op de onderzijde van het bovenste deel van de omsluiting te worden geplaatst, dichtbij de glazen zijpanelen.

Dit kan één groter afvoerkanaal zijn dat aan de zijkant van het apparaat is geplaatst of twee kleinere aan beide zijden. Dit bepaald de grootte en vorm van de omsluiting, zie de afbeelding.

IT: Le prese d'aria devono essere posizionate sul lato inferiore della parte superiore del contenitore vicino al lato o ai lati di vetro.

Si può praticare una grande singola presa d'aria posizionata su un lato dell'apparecchio o se ne possono praticare due più piccole su entrambi i lati, il che determinerà la dimensione e la forma del contenitore, vedere Schema.

NO: Ventilasjonene til det øvre kabinettet må ha et ledig område på minst 52,5cm².

Ventiler må plasseres på undersiden av toppdelen til kabinettet, nærme glass-siden(e).

Dette kan plasseres til en av sidene på apparatet som en stor enkelt ventil, eller som to mindre på begge sider. Dette avgjør størrelsen og formen til kabinettet, se diagrammet.

ES: Debe existir una ventilación para el recinto de la parte superior con una zona libre de al menos 52,5 cm².

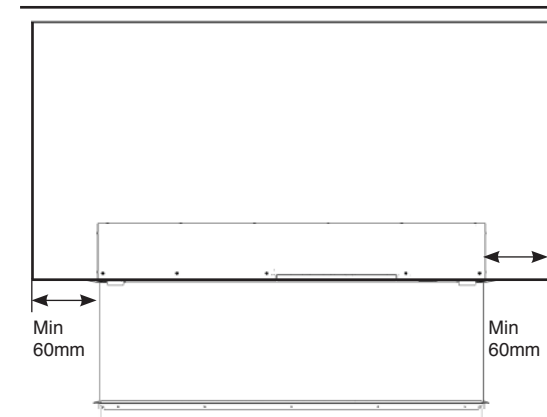
Los venteos deben colocarse en la cara oculta de la parte superior del recinto, cerca de los lados de vidrio.

Puede colocar un único venteo grande hacia un lado de la unidad o bien dos pequeños, uno a cada lado; esto determinará el tamaño y la forma del recinto (consulte el diagrama).

Single Sided Vent Configuration (Left or Right)/
Configuration avec aération d'un seul côté (à gauche ou à droite)/
Enkelzijdige afvoerconfiguratie (links of rechts)/
Configurazione con singola presa d'aria laterale (sinistra o destra)/
Ensidig ventilkonfigurasjon (venstre eller høyre)
Configuración con un único venteo lateral (a derecha o izquierda)

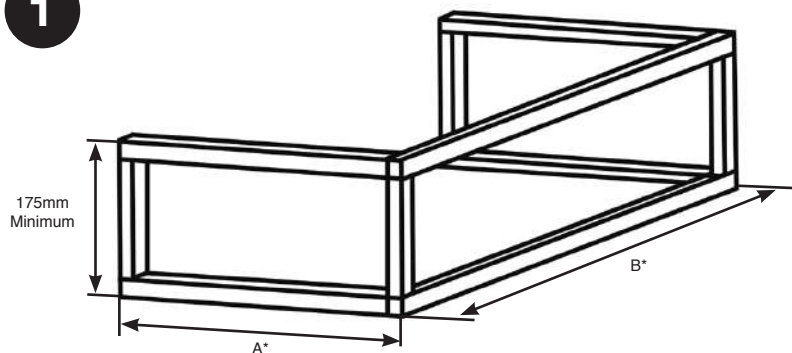


Two Sided Vent Configuration/
Configuration avec deux aérations/
Dubbelzijdige afvoerconfiguratie/
Configurazione con due prese d'aria laterali/
Tosidig ventilkonfigurasjon/
Configuración con dos venteos laterales



5. 3 Sided Installation - non recessed/ Installation 3 faces - non encastrée/ Driezijdige installatie, niet ingebouwd/
Installazione a 3 lati: non incassato/ Tresidet installasjon – ikke innfelt/ Instalación con 3 lados, no embutida

1



* Dependent on framing thickness/ En fonction de l'épaisseur du cadre/
Afhankelijk van framedikte/ Dipende dallo spessore dell'intelaiatura/
Avhenger av rammetykkelse/ Depende del espesor del bastidor

A

Appliance Depth + 20mm Minimum
Profondeur de l'appareil + 20mm Minimum
Diepte van het apparaat + 20mm Minimum
Profondità dell'apparecchio + 20mm Minimum
Apparatets dybde + 20mm Minimum
Profundidad de la unidad + 20 mm como mínimo

B

Appliance Width + 120mm Minimum
Largeur de l'appareil + 120mm Minimum
Breedte van het apparaat + 120mm Minimum
Larghezza dell'apparecchio + 120mm Minimum
Apparatets bredde + 120mm Minimum
Ancho de la unidad + 120mm Minimum

2

EN: Finish the bottom of the studwork with suitable boarding cut to fit around the viewing area.

NOTE: A cutout needs to be made to accommodate the heater vent in the top fascia of the appliance.

FR: Le bas de la cloison à poteaux doit être fini par une plaque découpée à la forme de la zone de visibilité du feu.

REMARQUE : Il faut pratiquer une découpe pour accueillir la ventilation du chauffage dans le panneau supérieur de l'appareil.

NL: Werk de onderzijde van het raamwerk af met een geschikte plaat die om het zichtgedeelte past.

OPMERKING: Er moet een uitsnede worden gemaakt voor de afvoer aan de bovenzijde van het apparaat.

IT: Finire la parte inferiore dell'intelaiatura con un taglio perimetrale adatto all'area di visualizzazione.

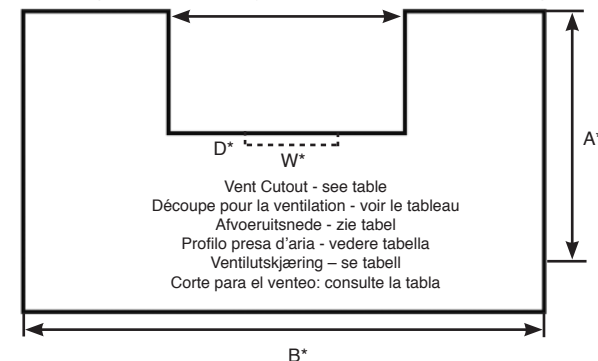
NOTA: È necessario eseguire un'apertura per alloggiare la presa d'aria del riscaldatore nella fascia superiore dell'apparecchio.

NO: Fullfør bunnen av reisverket med plater kuttet for å passe rundt visningsområdet.
MERK: En utskjæring må gjøres for å imøtekomme ovnsventilen på det øvre frontbordet til apparatet.

ES: Acabe la base del entramado cortando de forma adecuada para que se adapte a la zona de visión.

NOTA: Es necesario cortar para dar espacio al venteo del calefactor en la placa superior de la unidad.

Dimension D Page 32-33/ Dimension D Page 32-33/ Afmeting D pagina 32-33/
Dimensione D Pagina 32-33/ Dimensjon D side 32-33/ Dimensión D Páginas 32-33

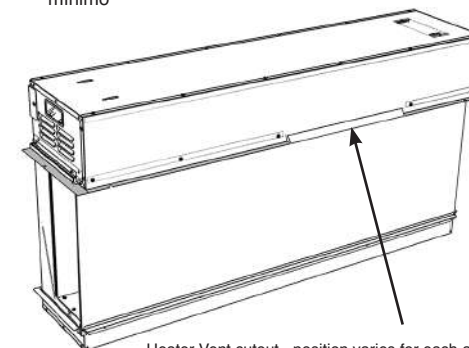


A

Appliance Depth + 20mm Minimum
Profondeur de l'appareil + 20mm Minimum
Diepte van het apparaat + 20mm Minimum
Profondità dell'apparecchio + 20mm Minimum
Apparatets dybde + 20mm Minimum
Profundidad de la unidad + 20 mm como mínimo

B

Appliance Width + 120mm Minimum
Largeur de l'appareil + 120mm Minimum
Breedte van het apparaat + 120mm Minimum
Larghezza dell'apparecchio + 120mm Minimum
Apparatets bredde + 120mm Minimum
Ancho de la unidad + 120mm Minimum



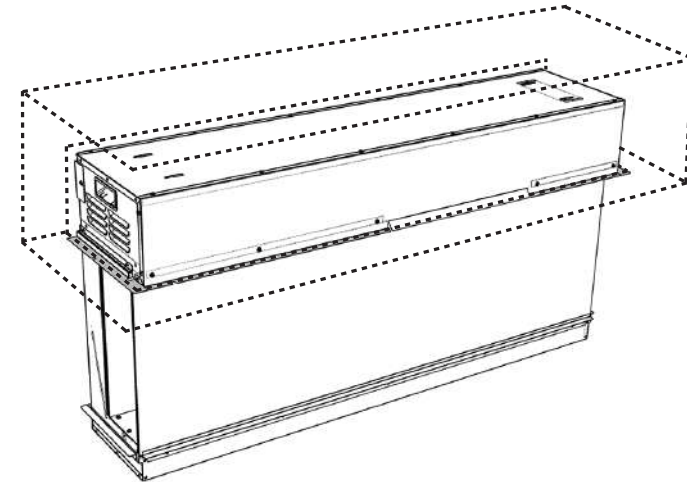
Heater Vent cutout - position varies for each appliance
Découpe pour la ventilation du chauffage - la position est différente pour chaque appareil
Afvoersnede - positie verschilt per apparaat
Profilo presa d'aria riscaldatore - la posizione varia per ciascun apparecchio
Ovnsventilutskjæring – plasseringen varierer for hvert apparat
Corte para el venteo del calefactor: la posición varia con cada unidad

W*	D*
360mm	25mm

5. 3 Sided Installation - non recessed/ Installation 3 faces - non encastrée/ Driezijdige installatie, niet ingebouwd/
Installazione a 3 lati: non incassato/ Tresidet installasjon – ikke innfelt/ Instalación con 3 lados, no embutida

3

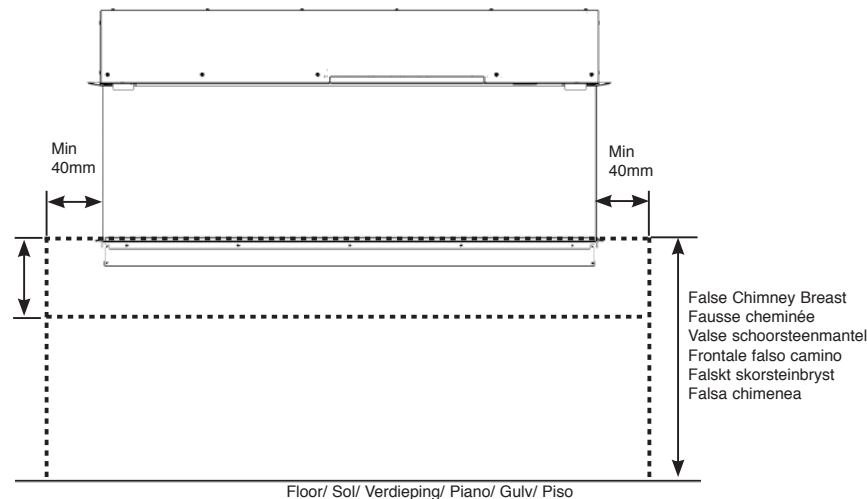
- EN:** Attach the enclosure to the wall ensuring that there are sufficient anchor points and the wall is constructed from a suitable load bearing material that can support the weight of the chosen material and size.
Finish the remaining studwork with plasterboard and vents.
- FR:** Fixer le caisson au mur en s'assurant qu'il y a suffisamment de points d'ancrage et que le mur est construit dans un matériau porteur adapté capable de soutenir le poids et la taille du matériau choisi.
Réaliser la finition des poteaux restants avec des plaques de plâtre et des aérations.
- NL:** Bevestig de omsluiting aan de wand en zorg ervoor dat er voldoende ankerpunten zijn en dat de wand bestaat uit een geschikt lastdragend materiaal dat het gewicht van het gekozen materiaal kan dragen.
Werk het resterende raamwerk af met gipsplaat en afvoeren.
- IT:** Attaccare la custodia alla parete assicurandosi che ci siano punti di ancoraggio sufficienti e la parete sia costruita con un materiale portante idoneo in grado di sostenere il peso del materiale con le dimensioni prescelte.
Rifinire la restante intelaiatura con cartongesso e prese d'aria.
- NO:** Ved montering av kabinettet på veggen må det sørges for tilstrekkelige ankerpunkter, samt at veggen er konstruert av et materiale med egnet bærestyre som støter vekten og størrelsen til det valgte materialet.
Fullfør det gjenværende reisverket med gipsvegg og ventiler.
- ES:** Monte el recinto en la pared verificando que haya una cantidad suficiente de puntos de fijación y que el material de la pared sea adecuado para resistir el peso del material y el tamaño elegidos.
Acabe el entramado restante con los paneles de yeso y venteos.



Lower Enclosure/ Caisson inférieur/ Onderste omsluiting/ Custodia inferiore/ Lavere kabinett/ Recinto inferior

- EN:** The lower enclosure can either create a floating shelf effect or a false chimney breast housing.
- FR:** Le caisson inférieur peut créer un effet de rayon flottant ou une fausse cheminée.
- NL:** De onderste omsluiting kan een zwevende plank vormen of een valse schoorsteenmantel.
- IT:** L'involucro inferiore può creare un effetto a mensola flottante o un alloggiamento frontale del falso camino.
- NL:** Det lavere kabinettet kan enten laget en flytende hylle, eller romme et falskt skorsteinsbryst.
- ES:** El recinto inferior puede generar un efecto de estantería flotante o un espacio de falsa chimenea.

Floating shelf style Min 100mm deep
Rayon flottant Min 100mm deep
Zwevende plank Min 100mm deep
Stile mensola flottante Min 100mm deep
Flytende hyllestil Min 100mm deep
Estilo de estantería flotante: Min 100mm



EN: NOTE: When designing the lower enclosure it may be aesthetically best to match or exceed the dimensions of the upper enclosure.

FR: REMARQUE : Pour des raisons d'esthétique, il est conseillé de concevoir un caisson inférieur de la même taille ou plus grand que le caisson supérieur.

NL: OPMERKING: Bij het ontwerpen van de onderste omsluiting kan het esthetisch wenselijk zijn om de afmetingen van de bovenste omsluiting over te nemen of overschrijden.

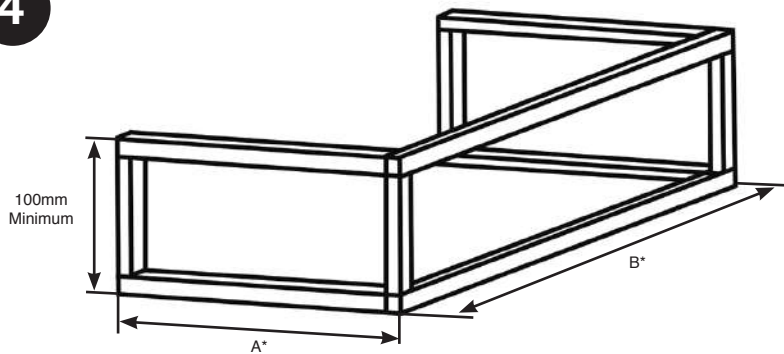
IT: NOTA: Quando si progetta la custodia inferiore, tenendo conto del fattore estetico, si possono effettuare degli abbinamenti migliori o superare le dimensioni della custodia superiore.

NO: MERK: Ved utforming av det lavere kabinettet kan det være estetisk best å matche eller overstige dimensjonene til det øvre kabinettet.

ES: NOTA: Al diseñar el recinto inferior, estéticamente puede ser preferible que sus dimensiones sean iguales o mayores que las del recinto superior.

5. 3 Sided Installation - non recessed/ Installation 3 faces - non encastrée/ Driezijdige installatie, niet ingebouwd/
Installazione a 3 lati: non incassato/ Tresidet installasjon – ikke innfelt/ Instalación con 3 lados, no embutida

4



* Dependent on framing thickness/ En fonction de l'épaisseur du cadre/
Afhankelijk van framedikte/ Dipende dallo spessore dell'intelaiatura/
Avhenger av rammetykkelse/ Depende del espesor del bastidor

A

B

Appliance Depth + 20mm Minimum
Profondeur de l'appareil + 20mm Minimum
Diepte van het apparaat + 20mm Minimum
Profondità dell'apparecchio + 20mm Minimum
Apparatets dybde + 20mm Minimum
Profundidad de la unidad + 20 mm como mínimo

Appliance Width + 120mm Minimum
Largeur de l'appareil + 120mm Minimum
Breedte van het apparaat + 120mm Minimum
Larghezza dell'apparecchio + 120mm Minimum
Apparatets bredde + 120mm Minimum
Ancho de la unidad + 120mm Minimum

5

EN: Finish the top of the studwork with suitable boarding cut to fit around the viewing area.

FR: Le haut de la cloison à poteaux doit être fini par une plaque découpée à la forme de la zone de visibilité du feu.

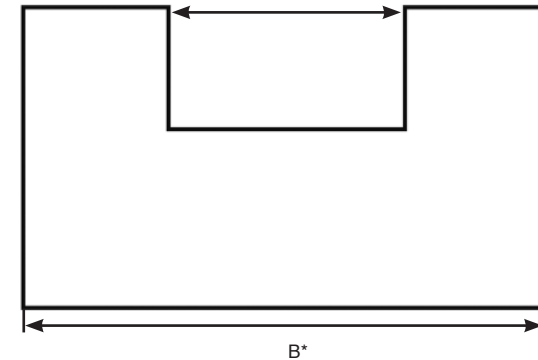
NL: Werk de bovenzijde van het raamwerk af met een geschikte plaat die om het zichtgedeelte past.

IT: Rifinire la parte superiore dell'intelaiatura con un taglio perimetrale adatto all'area di visualizzazione.

NO: Fullfør bunnen av reisverket med plater kuttet for å passe rundt visningsområdet.

ES: Acabe la parte superior del entramado cortando de forma adecuada para que se adapte a la zona de visión.

Dimension D Page 47/ Dimension D Page 47/ Afmeting D pagina 47/
Dimensione D Pagina 47/ Dimension D side 47/ Dimensión D Página 47



A

B

Appliance Depth + 20mm Minimum	Appliance Width + 120mm Minimum
Profondeur de l'appareil + 20mm Minimum	Largeur de l'appareil + 120mm Minimum
Diepte van het apparaat + 20mm Minimum	Breedte van het apparaat + 120mm Minimum
Profondità dell'apparecchio + 20mm Minimum	Larghezza dell'apparecchio + 120mm Minimum
Apparatets dybde + 20mm Minimum	Apparatets bredde + 120mm Minimum
Profundidad de la unidad + 20 mm como mínimo	Ancho de la unidad + 120mm Minimum



EN: Ensure provision is made for the power cable and lower fixing brackets when constructing the lower enclosure.

FR: Ne pas oublier un passage pour le câble électrique et les équerres de fixation inférieures pendant la construction du caisson inférieur

NL: Zorg dat er een voorziening is voor de stroomkabel en onderste bevestigingsbeugels bij het bouwen van de onderste omsluiting.

IT: Assicurarsi che sia previsto il cavo di alimentazione e le staffe di fissaggio inferiori durante la costruzione della custodia inferiore.

NO: Sikre matingen av strømkabelen og lavere festebraketter ved konstruksjon av det lavere kabinetet

ES: Al armar el recinto inferior, recuerde tener en cuenta el cable de alimentación y los soportes inferiores.

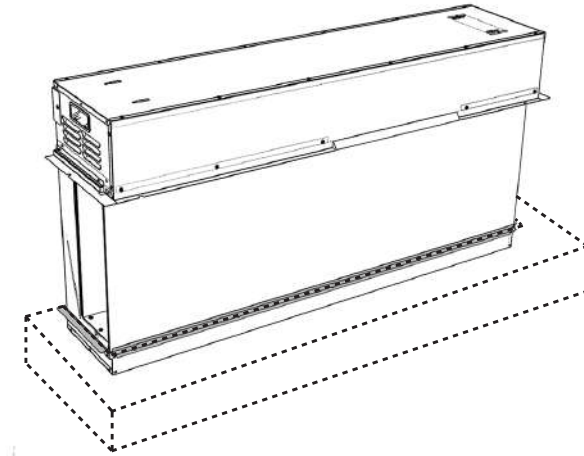
5. 3 Sided Installation - non recessed/ Installation 3 faces - non encastrée/ Driezijdige installatie, niet ingebouwd/
Installazione a 3 lati: non incassato/ Tressidet installasjon – ikke innfelt/ Instalación con 3 lados, no embutida

6

- EN:** The lower enclosure can locate over or under the lower flange on the product.
Locate under the flange if fitting the optional decorative trims.
NOTE: If fitting over the flange the material for this piece must be a maximum thickness of 18mm.
Thicker material will prevent the removal of the front glass for cleaning and servicing.
- FR:** Le caisson inférieur peut être positionné sur ou sous la bride inférieure du produit.
Si les garnitures décoratives optionnelles sont utilisées, positionner le caisson sous la bride.
REMARQUE : Si le caisson est positionné sur la bride, le matériau doit avoir une épaisseur maximale de 18 mm.
Un matériau plus épais empêchera le retrait de la plaque de verre frontale pour le nettoyage et l'entretien.
- NL:** De onderste omsluiting kan zich boven of onder de onderste flens van het product worden geplaatst.
Plaats de omsluiting onder de flens als de optionele decoratieve lijsten worden gemonteerd.
OPMERKING: Bij montage boven de flens, mag het materiaal voor dit deel een maximale dikte van 18 mm hebben.
Bij dikker materiaal kan het voorste glazen paneel niet worden verwijderd voor schoonmaak en onderhoud.
- IT:** La custodia inferiore può essere posizionata sopra o sotto la flangia inferiore del prodotto.
Mettere sotto la flangia eventuali rivestimenti decorativi opzionali.
NOTA: Se inserito sopra la flangia, il materiale per questo pezzo deve avere uno spessore massimo di 18 mm.
Materiale più spesso impedisce la rimozione del vetro frontale per la pulizia e la manutenzione.
- NO:** Det lavere kabinettet kan plasseres over eller under den lavere flensen på produktet.
Valgfrie pyntelister monteres under flensen.
MERK: Ved montering over flensen må materialet for dette ha en maksimal tykkelse på 18 mm.
Tykkere materialer kan forhindre fjerning av frontglass for rengjøring og vedlikehold.
- ES:** El recinto inferior puede quedar por encima o debajo de la saliente inferior del producto.
Colóquelo por debajo de la saliente si coincide con las molduras decorativas opcionales.
NOTA: Si lo coloca por encima de la saliente, el material de esta pieza debe tener un espesor máximo de 18 mm.
Si el material es más grueso, impedirá quitar el vidrio delantero para limpiarlo y mantenerlo.

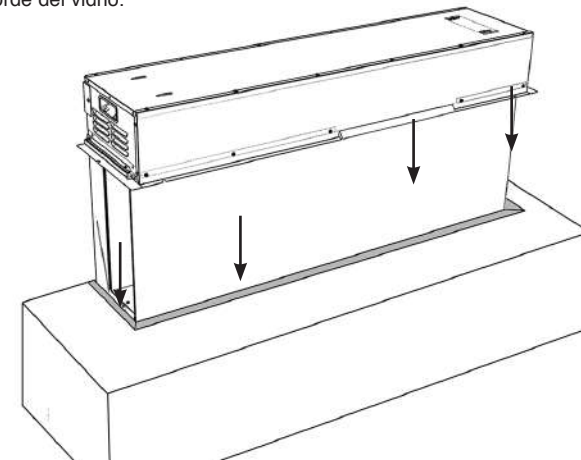
7

- EN:** Attach the enclosure to the wall ensuring that there are sufficient anchor points and the wall is constructed from a suitable load bearing material that can support the weight of the chosen material and size.
Finish the remaining studwork with plasterboard and vents.
- FR:** Fixer le caisson au mur en s'assurant qu'il y a suffisamment de points d'ancrage et que le mur est construit dans un matériau porteur adapté capable de soutenir le poids et la taille du matériau choisi.
Réaliser la finition des poteaux restants avec des plaques de plâtre et des aérations.
- NL:** Bevestig de omsluiting aan de wand en zorg ervoor dat er voldoende ankerpunten zijn en dat de wand bestaat uit een geschikt lastdragend materiaal dat het gewicht van het gekozen materiaal kan dragen.
Werk het resterende raamwerk af met gipsplaat en afvoeren.
- IT:** Attaccare la custodia alla parete assicurandosi che ci siano punti di ancoraggio sufficienti e la parete sia costruita con un materiale portante idoneo in grado di sostenere il peso del materiale con le dimensioni prescelte.
Rifinire la restante intelaiatura con cartongesso e prese d'aria.
- NO:** Ved montering av kabinettet på veggen må det sørges for tilstrekkelige ankerpunkter, samt at veggen er konstruert av et materiale med egnet bærestyre som støter vekten og størrelsen til det valgte materialet.
Fullfør det gjenværende reisverket med gipsvegg og ventiler.
- ES:** Monte el recinto en la pared verificando que haya una cantidad suficiente de puntos de fijación y que el material de la pared sea adecuado para resistir el peso del material y el tamaño elegidos.
Acabe el entramado restante con los paneles de yeso y venteos.



8

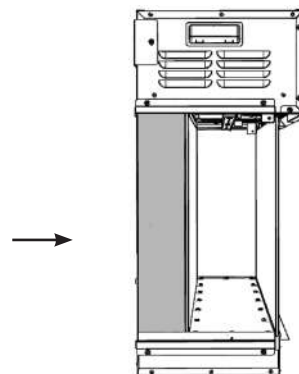
- EN:** Place the decorative trims on top of the studwork enclosure and butt up to the edge of the glass.
- FR:** Placer les garnitures décoratives par-dessus le caisson à poteaux et les amener jusqu'au bord du verre.
- NL:** Plaats de decoratieve lijsten bovenop de raamwerkomsluiting en laat deze aansluiten op de rand van het glas.
- IT:** Disporre i rivestimenti decorativi sulla parte superiore dell'intelaiatura fino ad arrivare al bordo del vetro.
- NO:** Plasser pyntelistene på toppen av reiseverkkabinettet, kant i kant med glasset.
- ES:** Coloque las molduras decorativas encima del recinto de entramado y bien unidas al borde del vidrio.



5. 3 Sided Installation - non recessed/ Installation 3 faces - non encastrée/ Driezijdige installatie, niet ingebouwd/ Installazione a 3 lati: non incassato/ Tresidet installasjon – ikke innfelt/ Instalación con 3 lados, no embutida

Side Infills/ Garnitures latérales/ Zijopvullingen/ Insetti laterali/ Side-fortetning er/ Rellenos laterales

- 9** **EN:** Following creation of the top and bottom enclosures the dark areas of the side panels will still be visible.
FR: Après la création du caisson supérieur et inférieur, les zones sombres des panneaux latéraux seront encore visibles.
NL: Na de constructie van de bovenste en onderste omsluiting, zijn de donkere delen van de zijpanelen nog zichtbaar.
IT: Dopo la creazione della recinzione superiore e inferiore, le aree scure dei pannelli laterali saranno ancora visibili.
NO: De mørke områdene til sidepanelene kan være synlige etter at de øvre og nedre kabinetene er laget.
ES: Tras crear los recintos superior e inferior, las zonas oscuras de los paneles laterales seguirán a la vista.



EN: Once the top and bottom installation has been finished, infills can be added to cover the dark areas of the side panels if desired.

Note: The height of the infills will be the distance between the Upper and Lower flanges minus the thickness of the non-combustible board used to create the base enclosure top.

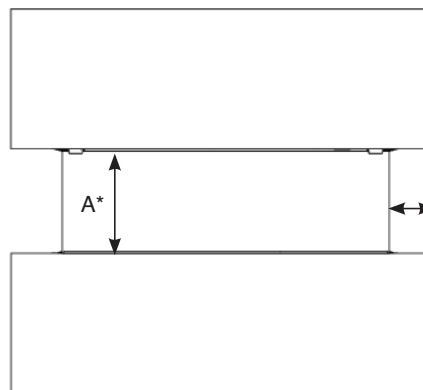
FR: Une fois l'installation du caisson supérieur et inférieur terminée, on peut ajouter si on le souhaite des garnitures pour couvrir les zones sombres des panneaux latéraux.
 Remarque : La hauteur des garnitures sera la distance entre la bride supérieure et inférieure moins l'épaisseur du panneau non-combustible utilisé pour créer le haut du caisson inférieur.

NL: Nadat de bovenste en onderste omsluiting zijn afgewerkt, kunnen indien gewenst opvullingen worden toegevoegd om de donkere delen van de zijpanelen af te dekken.
 Opmerking: De hoogte van de opvullingen is de afstand tussen de bovenste en onderste flens, min de dikte van de niet-brandbare plaat die is gebruikt om de bovenzijde van de onderste omsluiting te maken.

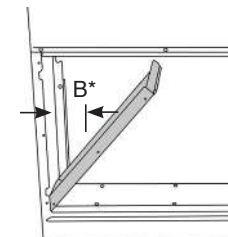
IT: Una volta terminata l'installazione superiore e inferiore, è possibile aggiungere degli inserti per coprire le aree scure dei pannelli laterali, se lo si desidera.
 Nota: L'altezza degli inserti sarà la distanza tra le flange superiore e inferiore meno lo spessore del pannello non combustibile utilizzato per creare la parte superiore della custodia di base.

NO: Når de øvre og nedre installasjonene er ferdige, kan hvis ønskelig fortetninger benyttes til å dekke de mørke områdene til sidepanelene.
 Merk: Høyden til fortetningene er distansen mellom de øvre og nedre flensene, minus tykkelsen til den ikke-brennbare platen benyttet til å lage toppkabinettet.

ES: Después de instalar los recintos superior e inferior, si lo desea puede agregar rellenos para cubrir las zonas oscuras de los paneles laterales.
 Nota: La altura de los rellenos será la distancia entre las salientes superior e inferior menos el espesor del panel no combustible que utilizó para crear la parte superior del recinto de la base.



C: Customer preference
 C: Préférence du client
 C: Klantvoorkeur
 C: Preferenza del cliente
 C: Kundepreferanse
 C: Según prefiera el cliente



Model	A*	B*
eReflex 55	552	110
eReflex 70	752	110
eReflex 75	352	80
eReflex 110	352	80

* minus board thickness/ moins l'épaisseur du panneau/
 Min plaatdikte/ meno spessore pannello/ minus platetykkelsen/ menos el espesor del panel

**5. 3 Sided Installation- Semi recessed/ Installation 3 faces - Semi-encastré/ Driezijdige installatie, Semi-ingebouwd/
Installazione a 3 lati: Semi incasso/ Tresidet installasjon - Delvis innfelt/ Instalación con 3 lados, Semiembutida**

EN: Note: All finished facing material should butt up cleanly to the flanges around the firebox opening. Rough edges will be visible from the front view. To maintain a clean finished edge - it is recommended to install the combustible facing material with the finished edge against the fireplace. Alternatively use trim or metal corner bead to cover cut edges of the facing material.

Position the mounting bracket in the desired location and fit the appliance.

FR: Remarque : Tous les matériaux de finition doivent être nets et jointifs avec les brides autour de l'ouverture du foyer. Les bords mal finis seront visibles depuis la face avant. Pour maintenir un bord fini bien net il est recommandé d'installer le matériau face au combustible avec le bord fini contre la cheminée. Ou bien on peut utiliser une baguette ou une cornière métallique pour recouvrir les bords du matériau de finition.

Positionner l'équerre de fixation à l'endroit souhaité et monter l'appareil.

NL: Opmerking: Alle afwerkingsmaterialen dienen goed aan te sluiten op de flenzen rondom de verbrandingskamer. Ruwe randen zijn zichtbaar vanaf de voorzijde. Om voor een strak afgewerkte rand te zorgen, wordt het aanbevolen brandbaar afwerkingsmateriaal te installeren met de afgewerkte rand tegen de haard. Als alternatief kan een lijst of metalen kraalhoek worden gebruikt om gezaagde randen van het afwerkingsmateriaal af te dekken.

Plaats de montagebeugel op de gewenste locatie en monteer het apparaat.

IT: Nota: Tutti i materiali di rifinitura del rivestimento devono essere inseriti perfettamente nelle flange attorno all'apertura del focolare. I bordi grezzi saranno visibili dalla vista frontale. Per mantenere un bordo finito pulito, si consiglia di installare il materiale a contatto con il combustibile con il bordo rifinito rivolto verso il camino. In alternativa, utilizzare un rivestimento o una modanatura d'angolo in metallo per coprire i bordi tagliati del materiale a contatto.

Posizionare la staffa di montaggio nella posizione desiderata e montare l'apparecchio.

NO: Merk: Alt ferdig overflatemateriale skal stå jevnt i kant mot flensene på brennkammeråpningen. Ujevne kanter blir synlige fra frontvisningen. For å opprettholde en ren ferdig kant – de anbefales å installere brennbare synlige materialer med ferdigkanten mot ildstedet. Alternativt benyttes list eller metalhjørnelist til å dekke over kantene på synlige materialer.

Posisjoner monteringsbraketten i ønsket retning og monter apparatet.

ES: Nota: Todo el material de acabado debe unirse a la perfección con las salientes de la abertura del hogar. Los bordes rugosos quedarán visibles al observar desde el frente. Para mantener un borde bien acabado, es recomendable instalar el material de acabado del combustible con el borde acabado contra el hogar. De manera alternativa, use una moldura o esquinero de metal para cubrir los bordes cortados del material de acabado.

Coloque el soporte de montaje en la posición que desee y monte la unidad.

EN: The appliance has black areas on the side panels.

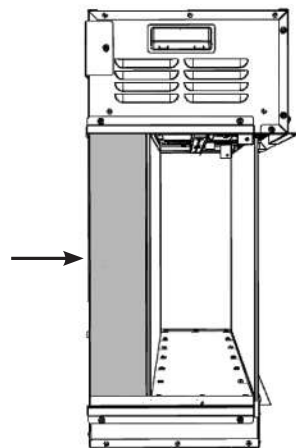
FR: L'appareil comporte des zones noires sur les panneaux latéraux.

NL: De zijpanelen van het apparaat hebben zwarte delen.

IT: L'apparecchio ha aree nere sui pannelli laterali.

NO: Applikasjonen har svarte områder på sidepanelene.

ES: La unidad tiene zonas oscuras en los paneles laterales.



EN: It is possible to install into a semi recessed chimney breast to hide these areas.

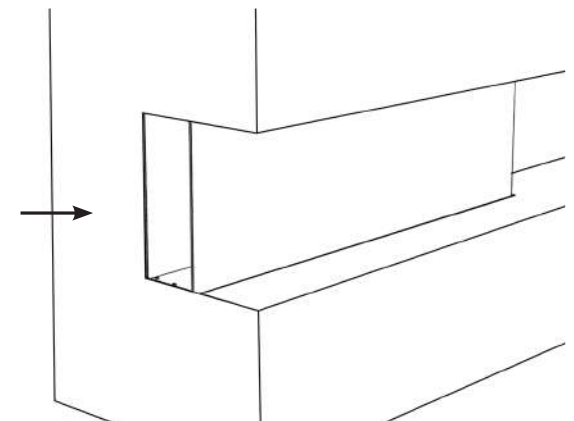
FR: On peut installer une cheminée semi-encastrée pour masquer ces zones.

NL: Het is mogelijk om het apparaat te half in te bouwen in een schoorsteenmantel om deze delen te verbergen.

IT: È possibile installare all'interno di un camino a semi incasso un frontale per nascondere queste aree.

NO: Det er mulig å installeres inn i et delvis innfelt skorsteinsbryst for å skjule disse områdene.

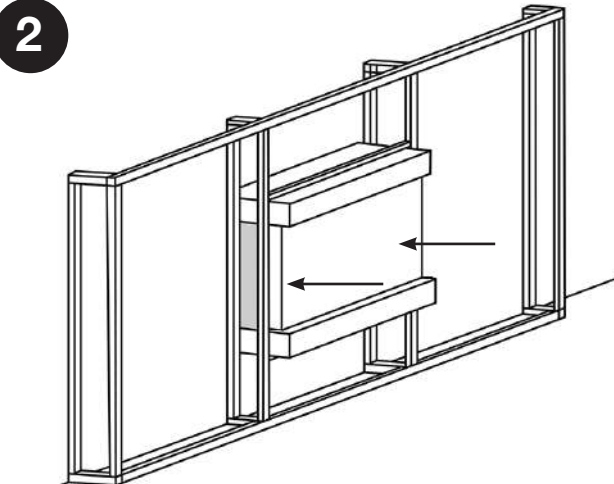
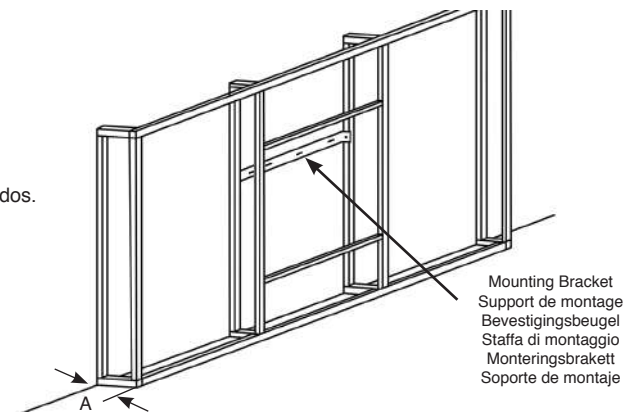
ES: Es posible instalarla en una chimenea semiembutida para ocultar estas zonas.



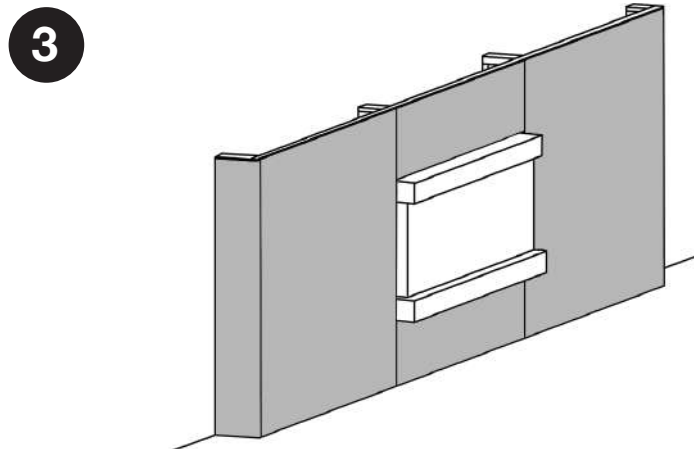
5. 3 Sided Installation- Semi recessed/ Installation 3 faces - Semi-encastré/ Driezijdige installatie, Semi-ingebouwd/ Installazione a 3 lati: Semi incasso/ Tresidet installasjon - Delvis innfelt/ Instalación con 3 lados, Semiembutida

- 1** EN: Construct a studwork wall to the desired specification which allows the mounting bracket to be recessed.
 FR: Construire une cloison à poteaux selon les caractéristiques souhaitées, qui permettra d'encaster l'équerre de fixation.
 NL: Maak een raamwerkwand volgens de gewenste specificaties, zodat de montagebeugel kan worden ingebouwd.
 IT: Costruire una parete imperniata sulla specifica desiderata che consenta di incassare la staffa di montaggio.
 NO: Konstruer en reisverksvegg med ønskelige spesifikasjoner som tillater innfelling av monteringsbraketten.
 ES: Construya una pared de entramado con las especificaciones deseadas que permitan dejar los soportes de montaje embutidos.

eReflex	A
eReflex 55/75	110mm
eReflex 70/110	80mm



- i** EN: Ensure provision is made for the power cable and lower fixing brackets when constructing the lower enclosure.
 FR: Ne pas oublier un passage pour le câble électrique et les équerres de fixation inférieures pendant la construction du caisson inférieur.
 NL: Zorg dat er een voorziening is voor de stroomkabel en onderste bevestigingsbeugels bij het bouwen van de onderste omsluiting.
 IT: Assicurarsi che sia previsto il cavo di alimentazione e le staffe di fissaggio inferiori durante la costruzione della custodia inferiore.
 NO: Sikre matingen av strømkabelen og lavere festebraketter ved konstruksjon av det lavere kabinetet
 ES: Al armar el recinto inferior, recuerde tener en cuenta el cable de alimentación y los soportes inferiores.



- 3** EN: Top and Bottom enclosures can now be built following the same method as a non recessed installation but reduce the depth by the depth of the built in recess.
 FR: On peut maintenant construire le caisson supérieur et inférieur en utilisant la même méthode que pour une installation non-encastrée, mais en réduisant la profondeur par la profondeur de l'encastrement intégré.
 NL: De bovenste en onderste omsluitingen kunnen nu worden gemaakt volgens dezelfde methode als bij een niet-ingebouwde installatie, waarbij de diepte wordt verminderd met de diepte van de inbouw.
 IT: A questo punto le custodie superiore e inferiore possono essere costruite seguendo lo stesso metodo di un'installazione non incassata, riducendo però la profondità della rientranza integrata.
 NO: Øvre og nedre kabinetter kan nå bygges med samme metode som for ikke-innfelt installasjon, men reduser dybden med dybden til den innebygde innfellingen.
 ES: Ahora puede construir los recintos superior e inferior siguiendo el mismo método que el de la instalación no embutida; tenga en cuenta que debe reducir la profundidad según la profundidad del embutido.

6. Corner Installation/ Installation en angle/ Hoekinstallatie/ Installazione ad angolo/ Hjørne-montering/ Instalación en esquina

EN: If access to the underside of the appliance will be limited after installation is complete, ensure the plug connection has been considered.

i **Note:** If installing the appliance into a custom built corner installation the side brackets will need to be replaced with the 3 Corner Side Glass Retainer brackets supplied.

If the appliance is to be installed in a right hand corner, the right hand brackets will need to be replaced. If left hand, replace the left hand brackets.

FR: Si l'accès au-dessous de l'appareil est limité après l'installation, veuillez à ce que le branchement du connecteur ait été pris en compte.

i **Remarque :** Si vous installez l'appareil dans un angle construit de manière personnalisée, les supports latéraux devront être remplacés par les 3 supports de retenue de la vitre latérale de coin fournis.

Si l'appareil doit être installé dans un coin droit, les supports de droite devront être remplacés. Si c'est à gauche, remplacez les supports de gauche.

NL: Als toegang tot de onderkant van het toestel beperkt blijft na voltooiing van de installatie, controleer dan stekerverbinding is meegenomen.

i **Opmerking:** Als het toestel in een op maat gemaakte hoek wordt geïnstalleerd, moeten de zijbeugels worden vervangen door de meegeleverde 3-hoeks glazen zijhouderbeugels.

Als het toestel wordt geïnstalleerd in een rechthoek, moeten de rechterbeugels worden vervangen. Indien in een linkerhoek, vervang dan de linkerbeugels.

IT: Se al termine dell'installazione l'accesso alla parte inferiore dell'apparecchio è limitato, assicurarsi che sia possibile raggiungere la presa di collegamento nella parte inferiore dell'apparecchio.

i **Nota:** Se si installa l'apparecchio in un'installazione ad angolo personalizzata, le staffe laterali dovranno essere sostituite con le 3 staffe di sostegno in vetro laterali in dotazione.

Se l'apparecchio deve essere installato in un angolo destro, le staffe di destra dovranno essere sostituite. Se deve essere installato a sinistra, sostituire le staffe di sinistra.

NO: Dersom adgangen til undersiden av apparatet vil bli begrenset etter monteringen er fullført, sørg for at plugg-tilkoblingen har blitt veloverveid.

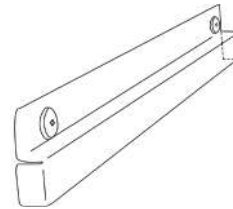
i **Merk:** Dersom du monterer apparatet inn i en spesialbygd hjørne-ramme, må sidebrakettene skiftes ut med de 3 medfølgende hjørnesidebrakettene som holder glasset.

Dersom apparatet skal monteres i et høyre hjørne, må de høyre brakettene skiftes ut. Dersom det gjelder venstre side, skift ut de venstre brakettene.

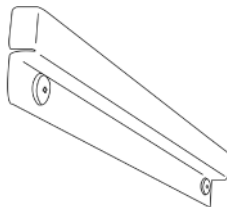
ES: Si después de la instalación el acceso a la parte inferior de la unidad quedará limitado, verifique que se haya tomado en cuenta la conexión del enchufe.

i **Nota:** Para instalar la unidad en una esquina de forma personalizada, deberá reemplazar los soportes laterales con los tres soportes provistos para la esquina del vidrio lateral. Si instalará la unidad en una esquina derecha, deberá cambiar los soportes de la derecha. Si la instalación será a la izquierda, cambie los soportes de la izquierda.

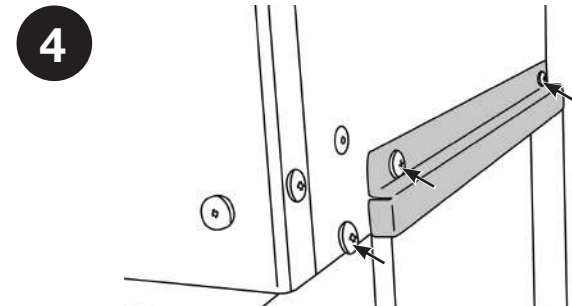
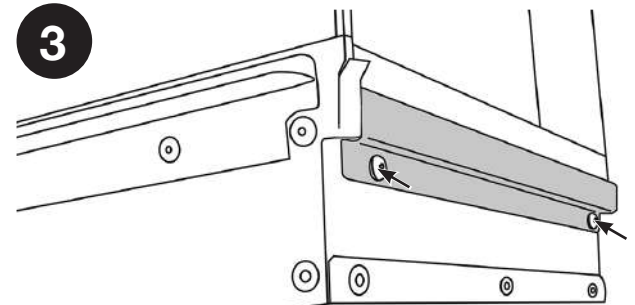
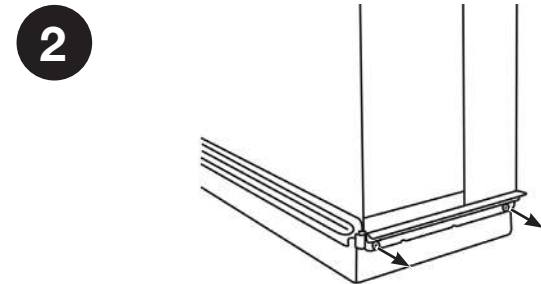
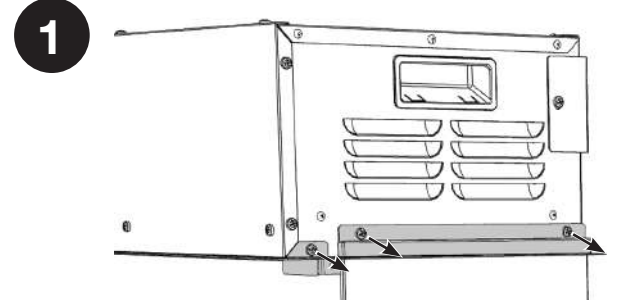
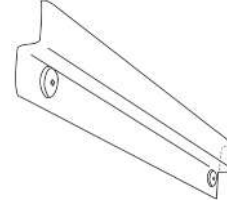
Top/ Supérieur/
Boven/ Parte
superiore/ Øvre del/
Parte superior



Left Bottom/ Gauche - Inférieur/
Linker - Onder/ Sinistro - Fondo/
Venstre - Bunn/
Parte Inferior Izquierda



Right Bottom/ Droit - Inférieur/
rechter - onder/ Destro - Fondo/
Høyre - Bunn/
Parte Inferior Derecha



6. Corner Installation/ Installation en angle/ Hoekinstallatie/ Installazione ad angolo/ Hjørne-montering/ Instalación en esquina



EN: This appliance is designed so combustible or non-combustible building materials may be used to finish up to the appliance casing.

The product is a zero clearance design.

Ensure that the stud or any materials used to seal the cavity (if required) do not obstruct the air vents on the top and sides of the appliance.

FR: Cet appareil est conçu de manière à pouvoir utiliser des matériaux de construction combustibles ou non-combustibles pour la finition jusqu'à la structure d'habillage de l'appareil.

Ce produit est conçu pour permettre un dégagement nul.

S'assurer que le poteau de cloison ou les matériaux utilisés pour fermer l'ouverture (le cas échéant) ne bloquent pas les aérations sur le dessus et les côtés de l'appareil.

NL: Dit apparaat is ontworpen is zodanig ontworpen dat brandbare of niet-brandbare bouwmaterialen kunnen worden gebruikt tot aan de behuizing van het apparaat.

Het product is ontworpen zonder vrije ruimte.

Zorg dat de bout of andere materialen die worden gebruikt om de opening af te dekken (indien nodig) de ventilatieopeningen aan de boven- en zijkanten van het apparaat niet belemmeren..

IT: Questo apparecchio è stato progettato in modo da poter usare materiali da costruzione combustibili o non combustibili per rifinire l'alloggiamento dell'apparecchio.

Il prodotto ha un design privo di gioco.

Assicurarsi che il perno o qualsiasi materiale utilizzato per sigillare la cavità (se necessario) non ostruisca le prese d'aria sulla parte superiore e sui lati dell'apparecchio.

NO: Dette apparatet er utformet slik at brennbare eller ikke-brennbare byggematerialer kan brukes til å fullføre apparatets kledning.

Produktet har et nullklaringsdesign.

Sikre at bolter eller materialer benyttet til å forsegle hulrommet (hvis nødvendig) ikke forhindrer luftåpningene på toppen og på siden av apparatet.

ES: El diseño de esta unidad permite utilizar materiales combustibles o no combustibles para el acabado exterior.

El diseño del producto es de huelgo cero.

Verifique que el perno o los materiales que se utilicen para sellar la cavidad (si fuera necesaria) no obstruyan los respiraderos superiores y laterales de la unidad.

EN: Fit the mounting bracket to the wall at the desired height - See Section 3 and a distance of 5mm from the side wall. For a semi recessed installation follow steps 1 -3 .

FR: Monter l'équerre de fixation au mur à la hauteur souhaitée - voir la Section 3, à une distance de 5mm du mur latéral. Pour une installation semi-encastrée, suivre les étapes 1 -3.

NL: Bevestig de montagebeugel aan de wand op de gewenste hoogte op een afstand van 5mm van de zijwand, zie hoofdstuk 3.

Volg stap 1 t/m 3 voor een semi-ingebouwde installatie.

IT: Montare la staffa di montaggio sulla parete all'altezza desiderata - Vedere la Sezione 3 e ad una distanza di 5mm rispetto alla parete laterale.

Per un'installazione semi-incassata, seguire i passaggi da 1 a 3.

NO: Monter monteringsbraketter til vegg i ønsket høyde og med en avstand på 5mm fra sideveggen, se avsnitt 3. For en delvis innfelt installasjon følges trinnene 1 til 3.

ES: Fije el soporte de montaje a la pared a la altura deseada (consulte la sección 3) y a una distancia de 5 mm de la pared lateral.

Para instalar la unidad de forma semiembutida, siga los pasos 1 a 3.

1

EN: It will be necessary to build a studwork enclosure to house the mounting bracket.

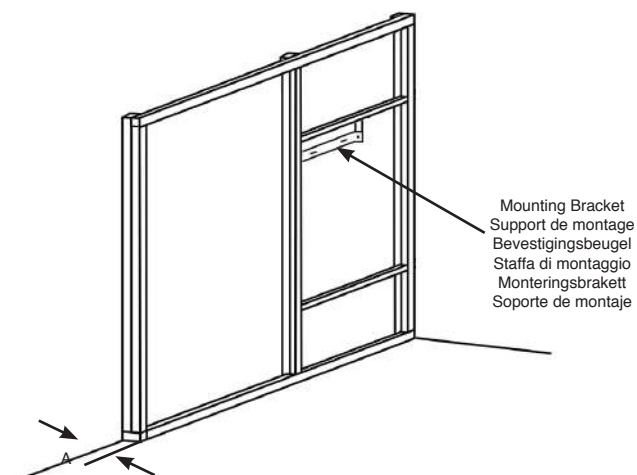
FR: Il faudra construire un caisson à poteaux pour accueillir l'équerre de fixation.

NL: Het is nodig om een raamwerkomsluiting te bouwen om de montagebeugel in te plaatsen.

IT: Sarà necessario costruire un'intelaiatura con dei perni per ospitare la staffa di montaggio.

NO: Det er nødvendig å bygge et reisverkskabinett for å romme monteringsbraketter.

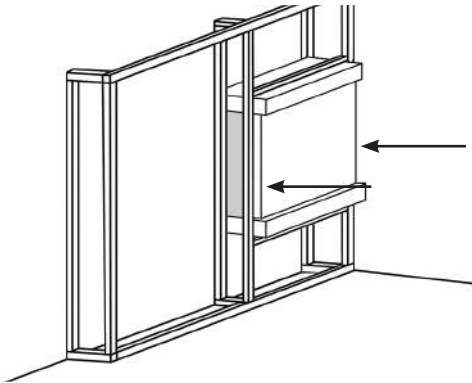
ES: Será necesario construir un recinto de entramado para alojar el soporte de montaje.



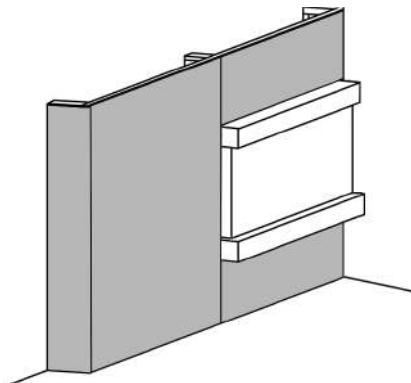
eReflex	A
eReflex 55/75	110mm
eReflex 70/110	80mm

6. Corner Installation/ Installation en angle/ Hoekinstallatie/ Installazione ad angolo/ Hjørne-montering/ Instalación en esquina

2



3



i

- EN: Ensure provision is made for the power cable and lower fixing brackets when constructing the lower enclosure.
- FR: Ne pas oublier un passage pour le câble électrique et les équerres de fixation inférieures pendant la construction du caisson inférieur
- NL: Zorg dat er een voorziening is voor de stroomkabel en onderste bevestigingsbeugels bij het bouwen van de onderste omsluiting.
- IT: Assicurarsi che sia previsto il cavo di alimentazione e le staffe di fissaggio inferiori durante la costruzione della custodia inferiore.
- NO: Sikre matingen av strømkabelen og lavere festebraketter ved konstruksjon av det lavere kabinettet
- EN: Al armar el recinto inferior, recuerde tener en cuenta el cable de alimentación y los soportes inferiores.

Upper Enclosure/ Caisson supérieure/ Bovenste omsluiting/ Custodia superiore/ Øverste kabinett/ Recinto superior

EN: The upper enclosure can either create a floating shelf effect or a false chimney breast housing.

FR: Le caisson supérieur peut créer un effet de rayon flottant ou une fausse cheminée.

NL: De bovenste omsluiting kan een zwevende plank vormen of een valse schoorsteenmantel.

IT: L'involucro superiore può essere usato per creare un effetto mensola flottante o come alloggiamento frontale del falso camino.

NO: Det øvre kabinettet kan enten laget en flytende hylle, eller romme et falskt skorsteinsbryst.

ES: El recinto superior puede generar un efecto de estantería flotante o un espacio de falsa chimenea.

i

EN: Ventilation to the upper section enclosure with a free area of no less than 52.5cm² must be provided. Vent(s) should be positioned on the underside of the top section of the enclosure close to the glass side(s).

This can be positioned to one side of the appliance as a large singular vent or two smaller ones on either side this will determine the size and shape of the enclosure, see Diagram.

FR: Il faut prévoir une ventilation du caisson supérieur ayant une surface libre égale ou supérieure à 52,5cm².

Il faut positionner les aérations sur la face inférieure du caisson supérieur, près du/des côté/s en verre. La ventilation peut être implantée d'un côté de l'appareil sous forme d'une grande aération ou de deux aérations plus petites de chaque côté. Ce choix déterminera la taille et la forme du caisson, voir le schéma.

NL: Er dient voor ventilatie naar de bovenste omsluiting met een vrij oppervlak van minimaal 52,5cm² te worden gezorgd.

Afvoerkanalen dienen op de onderzijde van het bovenste deel van de omsluiting te worden geplaatst, dichtbij de glazen zijpanelen.

Dit kan één groter afvoerkanaal zijn dat aan de zijkant van het apparaat is geplaatst of twee kleinere aan beide zijden. Dit bepaald de grootte en vorm van de omsluiting, zie de afbeelding.

IT: Le prese d'aria devono essere posizionate sul lato inferiore della parte superiore del contenitore vicino al lato o ai lati di vetro.

Si può praticare una grande singola presa d'aria posizionata su un lato dell'apparecchio o se ne possono praticare due più piccole su entrambi i lati, il che determinerà la dimensione e la forma del contenitore, vedere Schema.

NO: Ventilasjonene til det øvre kabinettet må ha et ledig område på minst 52,5cm².

Ventiler må plasseres på undersiden av toppdelen til kabinettet, nærme glass-siden(e).

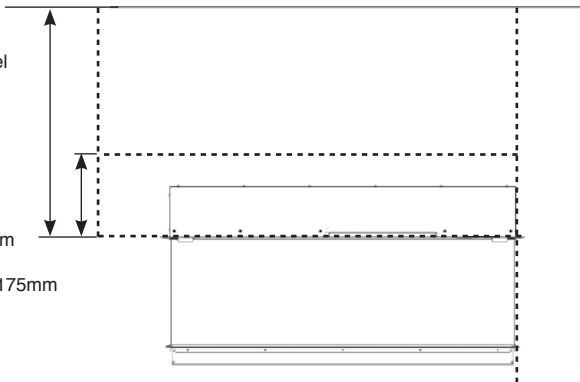
Dette kan plasseres til en av sidene på apparatet som en stor enkelt ventil, eller som to mindre på begge sider. Dette avgjør størrelsen og formen til kabinettet, se diagrammet.

ES: Debe existir una ventilación para el recinto de la parte superior con una zona libre de al menos 52,5cm². Los venteos deben colocarse en la cara oculta de la parte superior del recinto, cerca de los lados de vidrio.

Puede colocar un único venteo grande hacia un lado de la unidad o bien dos pequeños, uno a cada lado; esto determinará el tamaño y la forma del recinto (consulte el diagrama).

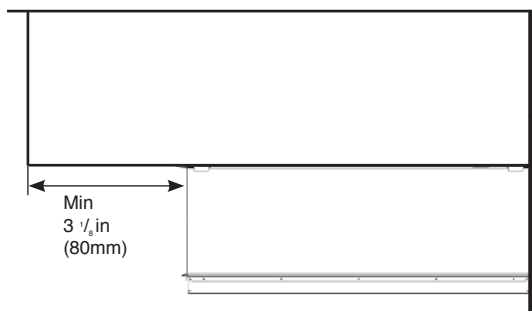
False Chimney Breast
Fausse cheminée
Valse schoorsteenmantel
Frontale falso camino
Falskt skorsteinbryst
Falsa chimenea

Floating shelf style: Min 175mm
Rayon flottant: Min 175mm
Zwevende plank: Min 175mm
Stile mensola flottante: Min 175mm
Flytende hyllestil: Min 175mm
Estilo de estantería flotante: Min 175mm

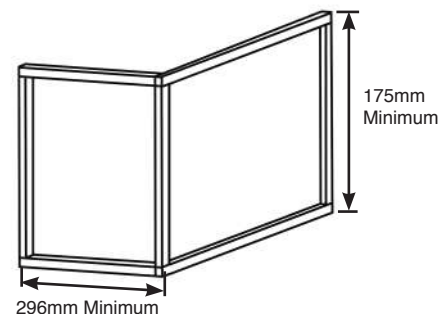


6. Corner Installation/ Installation en angle/ Hoekinstallatie/ Installazione ad angolo/ Hjørne-montering/ Instalación en esquina

Single Sided Vent Configuration (Left or Right)/
Configuration avec aération d'un seul côté (à gauche ou à droite/
Enkelzijdige afvoerconfiguratie (links of rechts)/
Configurazione con singola presa d'aria laterale (sinistra o destra)/
Ensidig ventilkonfigurasjon (venstre eller høyre)
Configuración con un único venteo lateral (a derecha o izquierda)



1



2

EN: Finish the bottom of the studwork with suitable boarding cut to fit around the viewing area.

NOTE: A cutout needs to be made to accommodate the heater vent in the top fascia of the appliance.

FR: Le bas de la cloison à poteaux doit être fini par une plaque découpée à la forme de la zone de visibilité du feu.

REMARQUE : Il faut pratiquer une découpe pour accueillir la ventilation du chauffage dans le panneau supérieur de l'appareil.

NL: Werk de onderzijde van het raamwerk af met een geschikte plaat die om het zichtgedeelte past.

OPMERKING: Er moet een uitsnede worden gemaakt voor de afvoer aan de bovenzijde van het apparaat.

IT: Finire la parte inferiore dell'intelaiatura con un taglio perimetrale adatto all'area di visualizzazione.

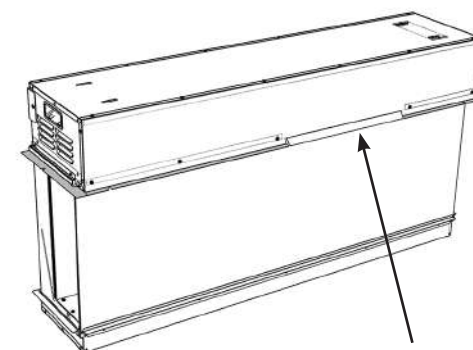
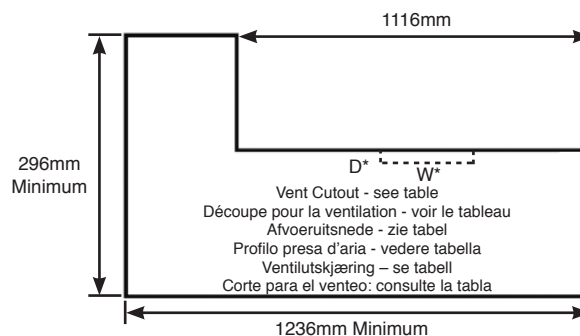
NOTA: È necessario eseguire un'apertura per alloggiare la presa d'aria del riscaldatore nella fascia superiore dell'apparecchio.

NO: Fullfør bunnen av reisverket med plater kuttet for å passe rundt visningsområdet.

MERK: En utskjæring må gjøres for å imøtekomme ovnsventilen på det øvre frontbordet til apparatet.

ES: Acabe la base del entramado cortando de forma adecuada para que se adapte a la zona de visión.

NOTA: Es necesario cortar para dar espacio al venteo del calefactor en la placa superior de la unidad.



Heater Vent cutout - position varies for each appliance
Découpe pour la ventilation du chauffage - la position est différente pour chaque appareil
Afvoersnede - positie verschilt per apparaat
Profilo presa d'aria riscaldatore - la posizione varia per ciascun apparecchio
Ovnsventilutskjæring - plasseringen varierer for hvert apparat
Corte para el venteo del calefactor: la posición varía con cada unidad

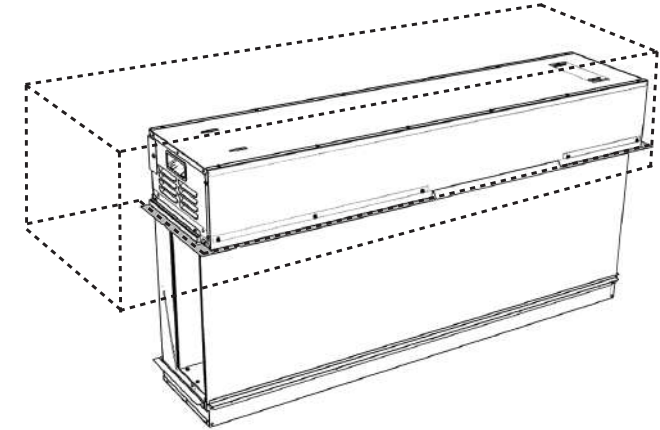
W*	D*
360mm	25mm

* minus board thickness/ moins l'épaisseur du panneau/
Min plaatdikte/ meno spessore pannello/ minus platetykkelsen/ menos el
espesor del panel

6. Corner Installation/ Installation en angle/ Hoekinstallatie/ Installazione ad angolo/ Hjørne-montering/ Instalación en esquina

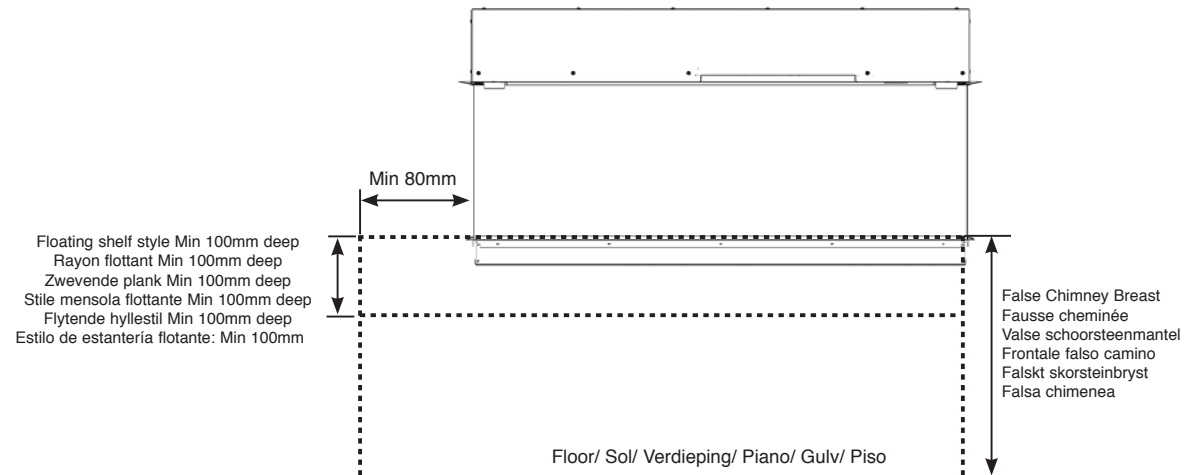
3

- EN:** Attach the enclosure to the wall ensuring that there are sufficient anchor points and the wall is constructed from a suitable load bearing material that can support the weight of the chosen material and size.
Finish the remaining studwork with plasterboard and vents.
- FR:** Fixer le caisson au mur en s'assurant qu'il y a suffisamment de points d'ancrage et que le mur est construit dans un matériau porteur adapté capable de soutenir le poids et la taille du matériau choisi.
Réaliser la finition des poteaux restants avec des plaques de plâtre et des aérations.
- NL:** Bevestig de omsluiting aan de wand en zorg ervoor dat er voldoende ankerpunten zijn en dat de wand bestaat uit een geschikt lastdragend materiaal dat het gewicht van het gekozen materiaal kan dragen.
Werk het resterende raamwerk af met gipsplaat en afvoeren.
- IT:** Attaccare la custodia alla parete assicurandosi che ci siano punti di ancoraggio sufficienti e la parete sia costruita con un materiale portante idoneo in grado di sostenere il peso del materiale con le dimensioni prescelte.
Rifinire la restante intelaiatura con cartongesso e prese d'aria.
- NO:** Ved montering av kabinettet på veggene må det sørges for tilstrekkelige ankerpunkter, samt at veggene er konstruert av et materiale med egnet bærestyre som støtter vekten og størrelsen til det valgte materialet.
Fullfør det gjenværende reisverket med gipsvegg og ventiler.
- ES:** Monte el recinto en la pared verificando que haya una cantidad suficiente de puntos de fijación y que el material de la pared sea adecuado para resistir el peso del material y el tamaño elegidos.
Acabe el entramado restante con los paneles de yeso y venteos.



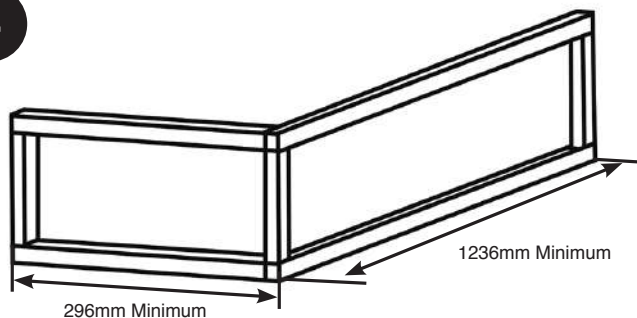
Lower Enclosure/ Caisson inférieur/ Onderste omsluiting/ Custodia inferiore/ Lavere kabinett/ Recinto inferior

- EN:** The lower enclosure can either create a floating shelf effect or a false chimney breast housing.
- FR:** Le caisson inférieur peut créer un effet de rayon flottant ou une fausse cheminée.
- NL:** De onderste omsluiting kan een zwevende plank vormen of een valse schoorsteenmantel.
- IT:** L'involucro inferiore può creare un effetto a mensola flottante o un alloggiamento frontale del falso camino.
- NL:** Det lavere kabinettet kan enten laget en flytende hylle, eller romme et falskt skorsteinsbryst.
- ES:** El recinto inferior puede generar un efecto de estantería flotante o un espacio de falsa chimenea.



6. Corner Installation/ Installation en angle/ Hoekinstallatie/ Installazione ad angolo/ Hjørne-montering/ Instalación en esquina

4



i

EN: NOTE: When designing the lower enclosure it may be aesthetically best to match or exceed the dimensions of the upper enclosure.

FR: REMARQUE : Pour des raisons d'esthétique, il est conseillé de concevoir un caisson inférieur de la même taille ou plus grand que le caisson supérieur.

NL: OPMERKING: Bij het ontwerpen van de onderste omsluiting kan het esthetisch wenselijk zijn om de afmetingen van de bovenste omsluiting over te nemen of overschrijden.

IT: NOTA: Quando si progetta la custodia inferiore, tenendo conto del fattore estetico, si possono effettuare degli abbinamenti migliori o superare le dimensioni della custodia superiore.

NO: MERK: Ved utforming av det lavere kabinettet kan det være estetisk best å matche eller overstige dimensjonene til det øvre kabinettet.

ES: NOTA: Al diseñar el recinto inferior, estéticamente puede ser preferible que sus dimensiones sean iguales o mayores que las del recinto superior.

5

EN: Finish the top of the studwork with suitable boarding cut to fit around the viewing area.

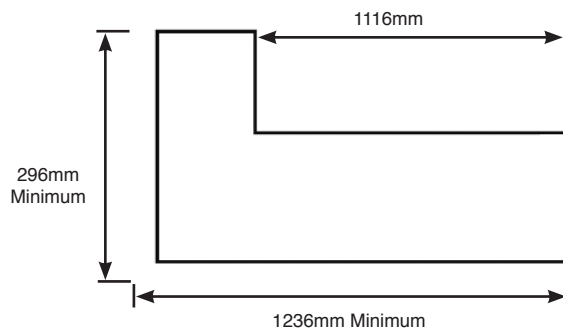
FR: Le haut de la cloison à poteaux doit être fini par une plaque découpée à la forme de la zone de visibilité du feu.

NL: Werk de bovenzijde van het raamwerk af met een geschikte plaat die om het zichtgedeelte past.

IT: Rifinire la parte superiore dell'intelaiatura con un taglio perimetrale adatto all'area di visualizzazione.

NO: Fullfør bunnen av reisverket med plater kuttet for å passe rundt visningsområdet.

ES: Acabe la parte superior del entramado cortando de forma adecuada para que se adapte a la zona de visión.



i

EN: Ensure provision is made for the power cable and lower fixing brackets when constructing the lower enclosure.

FR: Ne pas oublier un passage pour le câble électrique et les équerres de fixation inférieures pendant la construction du caisson inférieur.

NL: Zorg dat er een voorziening is voor de stroomkabel en onderste bevestigingsbeugels bij het bouwen van de onderste omsluiting.

IT: Assicurarsi che sia previsto il cavo di alimentazione e le staffe di fissaggio inferiori durante la costruzione della custodia inferiore.

NO: Sikre matingen av strømkabelen og lavere festebraketter ved konstruksjon av det lavere kabinettet.

ES: Al armar el recinto inferior, recuerde tener en cuenta el cable de alimentación y los soportes inferiores.

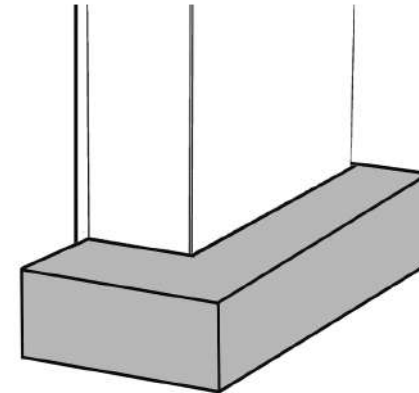
6. Corner Installation/ Installation en angle/ Hoekinstallatie/ Installazione ad angolo/ Hjørne-montering/ Instalación en esquina

6

- EN:** The lower enclosure can locate over or under the lower flange on the product.
Locate under the flange if fitting the optional decorative trims.
**NOTE: If fitting over the flange the material for this piece must be a maximum thickness of 18mm.
Thicker material will prevent the removal of the front glass for cleaning and servicing.**
- FR:** Le caisson inférieur peut être positionné sur ou sous la bride inférieure du produit.
Si les garnitures décoratives optionnelles sont utilisées, positionner le caisson sous la bride.
**REMARQUE : Si le caisson est positionné sur la bride, le matériau doit avoir une épaisseur maximale de 18 mm.
Un matériau plus épais empêchera le retrait de la plaque de verre frontale pour le nettoyage et l'entretien.**
- NL:** De onderste omsluiting kan zich boven of onder de onderste flens van het product worden geplaatst.
Plaats de omsluiting onder de flens als de optionele decoratieve lijsten worden gemonteerd.
**OPMERKING: Bij montage boven de flens, mag het materiaal voor dit deel een maximale dikte van 18 mm hebben.
Bij dikker materiaal kan het voorste glazen paneel niet worden verwijderd voor schoonmaak en onderhoud.**
- IT:** La custodia inferiore può essere posizionata sopra o sotto la flangia inferiore del prodotto.
Mettere sotto la flangia eventuali rivestimenti decorativi opzionali.
**NOTA: Se inserito sopra la flangia, il materiale per questo pezzo deve avere uno spessore massimo di 18 mm.
Materiale più spesso impedisce la rimozione del vetro frontale per la pulizia e la manutenzione.**
- NO:** Det lavere kabinettet kan plasseres over eller under den lavere flensen på produktet.
Valgfrie pyntelister monteres under flensen.
**MERK: Ved montering over flensen må materialet for dette ha en maksimal tykkelse på 18 mm.
Tykkere materialer kan forhindre fjerning av frontglass for rengjøring og vedlikehold.**
- ES:** El recinto inferior puede quedar por encima o debajo de la saliente inferior del producto.
Colóquelo por debajo de la saliente si coincide con las molduras decorativas opcionales.
**NOTA: Si lo coloca por encima de la saliente, el material de esta pieza debe tener un espesor máximo de 18 mm.
Si el material es más grueso, impedirá quitar el vidrio delantero para limpiarlo y mantenerlo.**

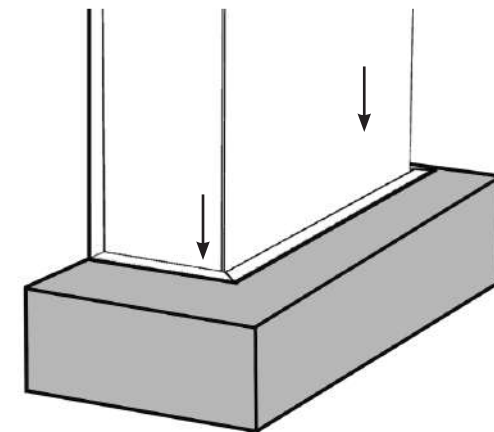
7

- EN:** Attach the enclosure to the wall ensuring that there are sufficient anchor points and the wall is constructed from a suitable load bearing material that can support the weight of the chosen material and size.
Finish the remaining studwork with plasterboard.
- FR:** Fixer le caisson au mur en s'assurant qu'il y a suffisamment de points d'ancrage et que le mur est construit dans un matériau porteur adapté capable de soutenir le poids et la taille du matériau choisi.
Réaliser la finition des poteaux restants avec des plaques de plâtre.
- NL:** Bevestig de omsluiting aan de wand en zorg ervoor dat er voldoende ankerpunten zijn en dat de wand bestaat uit een geschikt lastdragend materiaal dat het gewicht van het gekozen materiaal kan dragen.
Werk het resterende raamwerk af met gipsplaat.
- IT:** Attaccare la custodia alla parete assicurandosi che ci siano punti di ancoraggio sufficienti e la parete sia costruita con un materiale portante idoneo in grado di sostenere il peso del materiale con le dimensioni prescelte.
Rifinire la restante intelaiatura con cartongesso.
- NO:** Ved montering av kabinettet på veggen må det sørges for tilstrekkelige ankerpunkter, samt at veggen er konstruert av et materiale med egnet bærestyre som støter vekten og størrelsen til det valgte materialet.
Fullfør det gjenværende reisverket med gipsvegg.
- ES:** Monte el recinto en la pared verificando que haya una cantidad suficiente de puntos de fijación y que el material de la pared sea adecuado para resistir el peso del material y el tamaño elegidos.
Acabe el entramado restant.

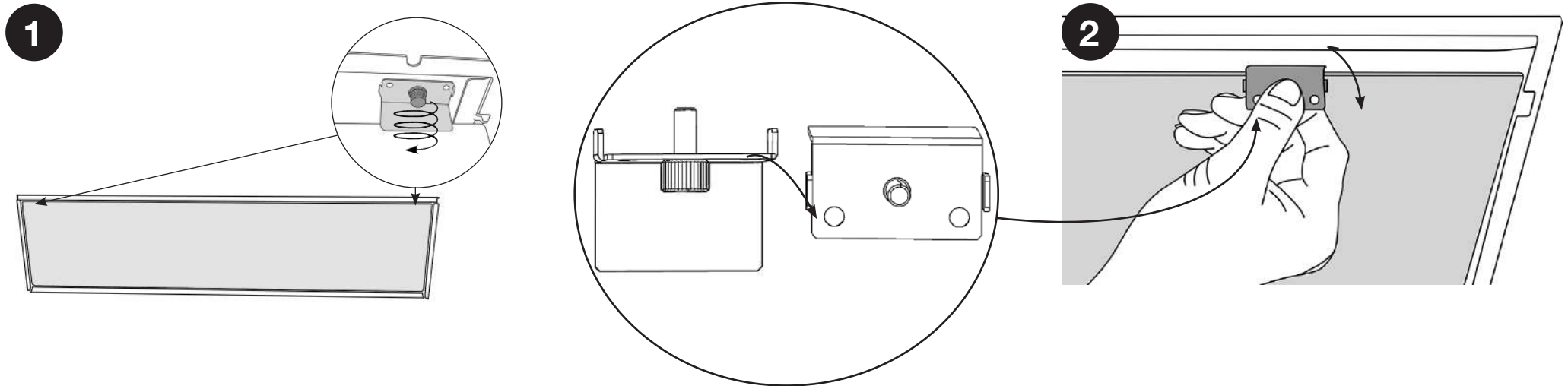


8

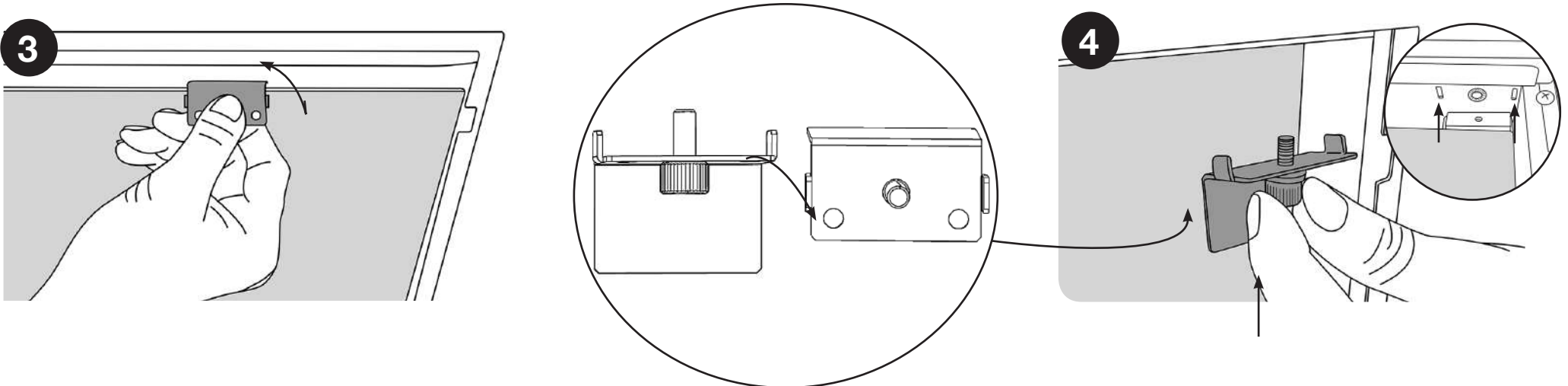
- EN:** Place the decorative trims on top of the studwork enclosure and butt up to the edge of the glass.
- FR:** Placer les garnitures décoratives par-dessus le caisson à poteaux et les amener jusqu'au bord du verre.
- NL:** Plaats de decoratieve lijsten bovenop de raamwerkomsluiting en laat deze aansluiten op de rand van het glas.
- IT:** Disporre i rivestimenti decorativi sulla parte superiore dell'intelaiatura fino ad arrivare al bordo del vetro.
- NO:** Plasser pyntelistene på toppen av reiseverkkabinettet, kant i kant med glasset.
- ES:** Coloque las molduras decorativas encima del recinto de entramado y bien unidas al borde del vidrio.



7. Removing the Exterior Glass/ Retrait de la vitre extérieure/ Het buitenste glas verwijderen/ Rimozione del vetro esterno/
Fjerne det utvendige glasset/ Desmontaje del vidrio exterior



Replacing/ Remplacer/ Vervangen/ Sostituzione/ Erstatte/ Reemplazando



EN: IMPORTANT: When replacing the glass the black tabs must be positioned at the top corners of the appliance.

FR: IMPORTANT : Lors du remplacement de la vitre, les languettes noires doivent être placées au niveau des coins supérieurs de l'appareil.

NL: BELANGRIJK: Wanneer het glas wordt vervangen moeten de zwarte kleppen geplaatst zijn op de bovenhoeken van het toestel.

IT: IMPORTANTE: Quando si sostituisce il vetro, le linguette nere devono essere posizionate negli angoli superiori dell'apparecchio.

NO: VIKTIG: Når du skifter ut glasset må de svarte flikene være plassert på de øverste hjørnene av apparatet.

ES: IMPORTANTE: Al cambiar el vidrio, las lengüetas negras deben quedar en las esquinas superiores de la unidad.

Fuel Effect/ Effet combustible/ Brandstofeffect/ Effetto combustibile/ Brenseffekt/ Efecto de combustible

EN: The appliance is supplied with 2 fuel effect options:
8a. Log Effect 8b. Crystal Ice Glass Effect

FR: L'appareil est fourni avec 2 options d'effet de combustible:
8a. Effet bûches 8b. Vitre effet cristaux de glace

NL: Het toestel is uitgerust met 2 brandstofeffect-opties:
8a. Houtblokken-effect 8b. Glazen ijskristallen-effect

IT: L'apparecchio è fornito con 2 opzioni di effetto combustibile:
8a. Effetto legna 8b. Effetto cristallo di ghiaccio

NO: Apparatet leveres med 2 alternativer for brenseffekt:
8a. Vedkubbe-effekt 8b. Krystallglass-effekt

ES: La unidad cuenta con 2 opciones de efecto de combustible:
1. Efecto de troncos 2. Efecto de cristales de hielo

Log Effect/ Effet bûches/ Houtblokken-effect/ Effetto legna/ Vedkubbe-effekt/ Efecto de troncos

EN: 1. Evenly spread the clear pebble effect across the fuel bed.
2. Randomly space the grey pebble effect throughout the fuel bed.

NOTE: It is not necessary to use all of the pebble effect supplied.

FR: 1. Répartissez de manière égale les effets galets transparents sur le lit de combustible
2. Répartissez les effets galets gris de façon aléatoire sur l'ensemble du lit de combustible.

REMARQUE: Il n'est pas nécessaire d'utiliser tout l'effet galets fourni.

NL: 1. Verspreid gelijkmatig het heldere kiezelstenen-effect over het brandstofbed.
2. Verdeel willekeurig het kiezelstenen-effect over het brandstofbed

OPMERKING: Het is niet nodig om al het meegeleverde kiezelstenen-effect te gebruiken.

IT: 1. Distribuire uniformemente l'effetto ciottoli chiari su tutto il crogiolo di combustione
2. Distribuire in modo casuale l'effetto di ciottoli grigi in tutto il crogiolo di combustione.

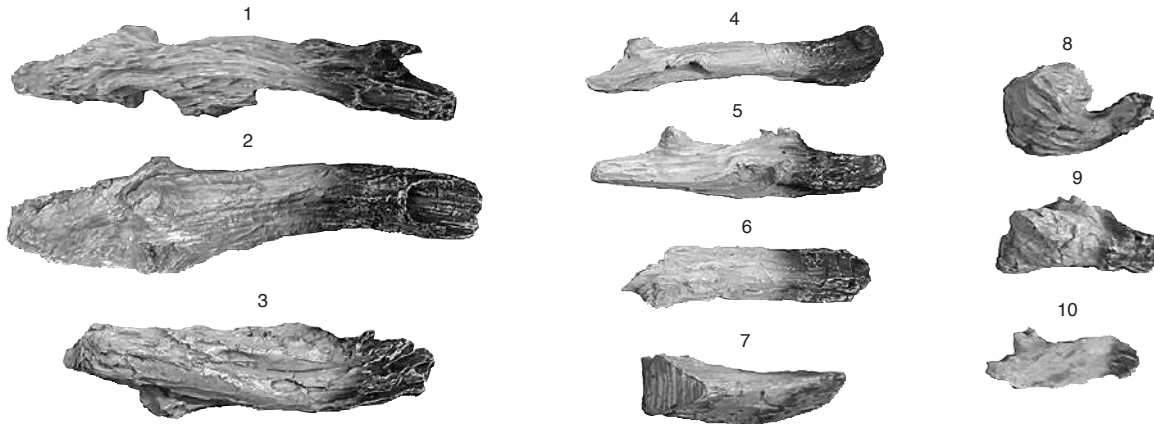
NOTA: Non è necessario utilizzare tutti gli l'effetto ciottoli forniti.

NO: 1. Spre de gjennomsiktige stein-effektene jevnt utover brennkammeret.
2. Plasser de grå steineffektene tilfeldig utover brennkammeret.

MERK: Det er ikke nødvendig å bruke alle stein-effektene som medfølger.

ES: 1. Distribuya el efecto de los guijarros transparentes de manera uniforme por todo el lecho.
2. Separe el efecto de los guijarros grises de forma aleatoria por todo el lecho.

NOTA: No es necesario usar todos los efectos de guijarros suministrados.



	55W	70W	75W	110W
1				✓
2	✓	✓	✓	✓
3	✓	✓	✓	✓
4		✓	✓	✓
5	✓	✓	✓	✓
6	✓	✓	✓	✓
7	✓	✓	✓	✓
8				✓
9				✓
10				✓

55W/ 75W

EN: The logs are positioned in groups. Working from left to right, place the logs onto the stone fuel effect following the layout.

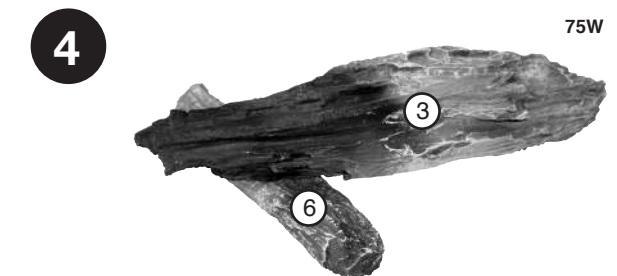
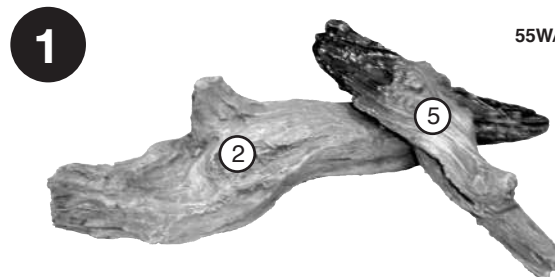
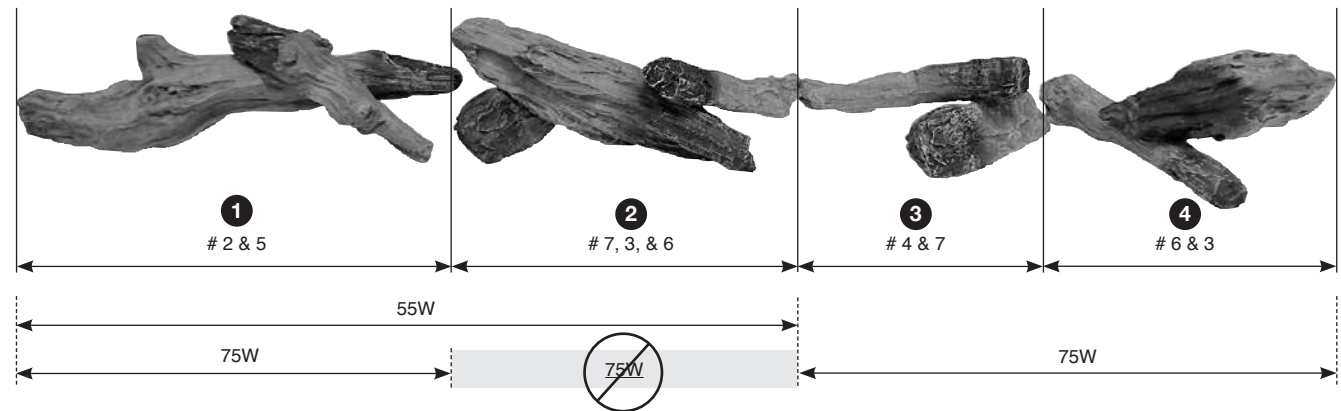
FR: Les bûches sont placées par paires. En allant de gauche à droite, placez les bûches sur l'effet combustible pierre en suivant les agencement.

NL: De houtblokken zijn geplaatst in paren. Werk van links naar rechts en plaats de houtblokken op het stenen brandstofeffect door de schema te volgen.

IT: I ceppi sono posizionati a coppie. Lavorando da sinistra a destra, posizionare i ceppi sull'effetto combustibile di pietra attenendosi agli schema.

NO: Vedkubbene er plassert i par. Ved å arbeide fra venstre mot høyre, plasser vedkubbene på stein-brenseffekten ved å følge planløsningen.

ES: Los troncos se ubican en grupos. Comenzando por la izquierda, coloque los troncos en el efecto de combustible con piedras siguiendo la disposición.



i

EN: If desired the Crystal Ice Glass Effect can be placed in between the log layout.

FR: Si vous le souhaitez, vous pouvez placer l'effet verre cristaux de glace entre l'agencement bûche.

NL: Indien gewenst kan het glazen ijskristallen-effect worden geplaatst tussen de houtblokkenopzet.

IT: Se lo si desidera, è possibile posizionare l'effetto cristalli di ghiaccio tra i ceppi disposti.

NO: Dersom det er ønskelig, kan krystallglass-effektene plasseres mellom vedkubbenes planløsning.

ES: Si lo desea, puede colocar el efecto de cristales de hielo entre los troncos.

70W/ 110W

EN: The logs are positioned in groups. Working from left to right, place the logs onto the stone fuel effect following the layout.

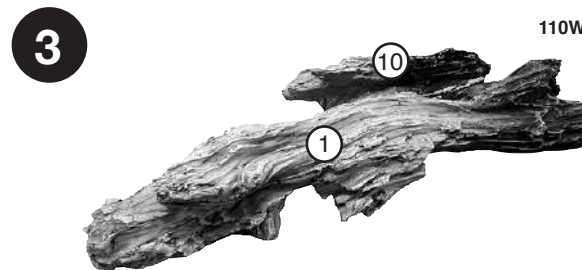
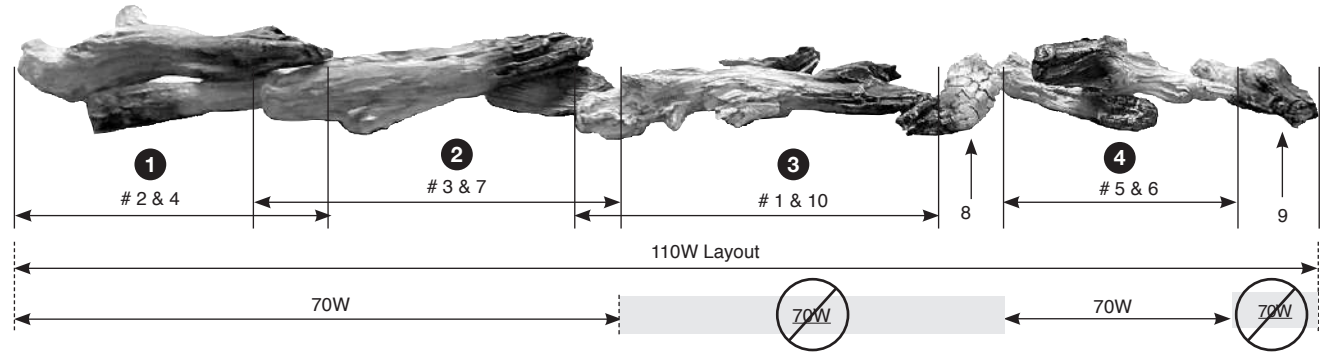
FR: Les bûches sont placées par paires. En allant de gauche à droite, placez les bûches sur l'effet combustible pierre en suivant les agencement.

NL: De houtblokken zijn geplaatst in paren. Werk van links naar rechts en plaats de houtblokken op het stenen brandstofeffect door de schema te volgen.

IT: I ceppi sono posizionati a coppie. Lavorando da sinistra a destra, posizionare i ceppi sull'effetto combustibile di pietra attenendosi agli schema.

NO: Vedkubbene er plassert i par. Ved å arbeide fra venstre mot høyre, plasser vedkubbene på stein-brenseeffekten ved å følge planløsningen.

ES: Los troncos se ubican en grupos. Comenzando por la izquierda, coloque los troncos en el efecto de combustible con piedras siguiendo la disposición.



i

EN: If desired the Crystal Ice Glass Effect can be placed in between the log layout.

FR: Si vous le souhaitez, vous pouvez placer l'effet verre cristaux de glace entre l'agencement bûche.

NL: Indien gewenst kan het glazen ijskristallen-effect worden geplaatst tussen de houtblokkenopzet.

IT: Se lo si desidera, è possibile posizionare l'effetto cristalli di ghiaccio tra i ceppi disposti.

NO: Dersom det er ønskelig, kan krystallglass-effektene plasseres mellom vedkubbenes planløsning.

ES: Si lo desea, puede colocar el efecto de cristales de hielo entre los troncos.

8b. Crystal Ice Glass Effect/ Vitre effet cristaux de glace/ Glazen ijskristallen-effect/ Effetto cristallo di ghiaccio/ Krystallglass-effekt/ Efecto de cristales de hielo

55W/ 70W/ 75W/ 110W

EN

Evenly spread the small glass-effect crystals across the fuel bed.
It is not necessary to use all of the effect supplied.
Randomly space the large glass-effect crystals throughout the fuel bed.

IT

Distribuire uniformemente l'effetto piccoli cristalli su tutto il crogiolo di combustione.
Non è necessario utilizzare tutti gli effetti forniti.
Distribuire in modo casuale l'effetto grandi cristalli su tutto il crogiolo di combustione.

FR

Répartissez de manière égale les petits cristaux effet verre sur le lit de combustible.
Il n'est pas nécessaire d'utiliser tout l'effet fourni.
Placez les gros cristaux effet verre n'importe où sur le lit de combustible.

NO

Spre de små glasseffekt-krystallene jevnt utover brennkammeret.
Det er ikke nødvendig å bruke alle effektene som medfølger.
Plasser tilfeldig de store glasseffekt-krystallene over brennkammeret.

NL

Verspreid de kleine glas-effect kristallen gelijkmatig over het brandstofbed.
Het is niet nodig om al het meegeleverde effect te gebruiken.
Verdeel de grote glas-effect kristallen willekeurig over het brandstofbed.

ES

Distribuya el efecto de pequeños cristales de manera uniforme por todo el lecho.
No es necesario usar todo el efecto incluido.
Distribuya el efecto de cristales grandes de manera uniforme por todo el lecho.



EN: If desired the Crystal Ice Glass Effect can be placed in between the log layout.

FR: Si vous le souhaitez, vous pouvez placer l'effet verre cristaux de glace entre l'agencement bûche.

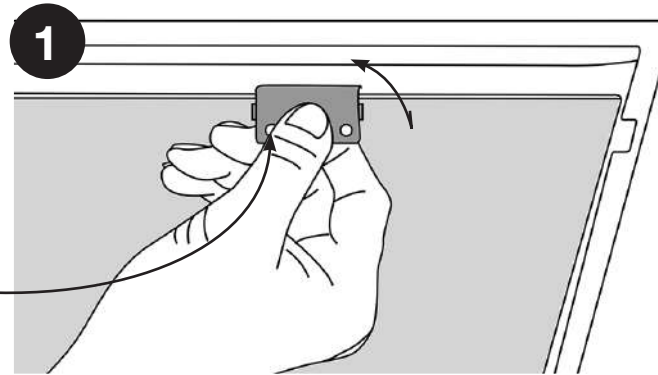
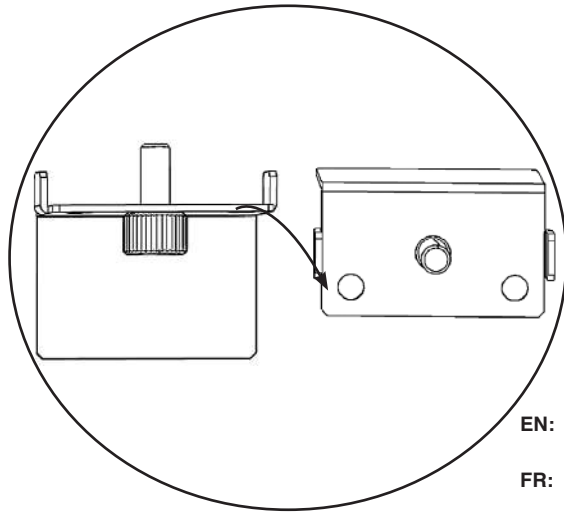
NL: Indien gewenst kan het glazen ijskristallen-effect worden geplaatst tussen de houtblokkenopzet.

IT: Se lo si desidera, è possibile posizionare l'effetto cristalli di ghiaccio tra i ceppi disposti.

NO: Dersom det er ønskelig, kan krystallglass-effektene plasseres mellom vedkubbenes planløsning.

ES: Si lo desea, puede colocar el efecto de cristales de hielo entre los troncos.

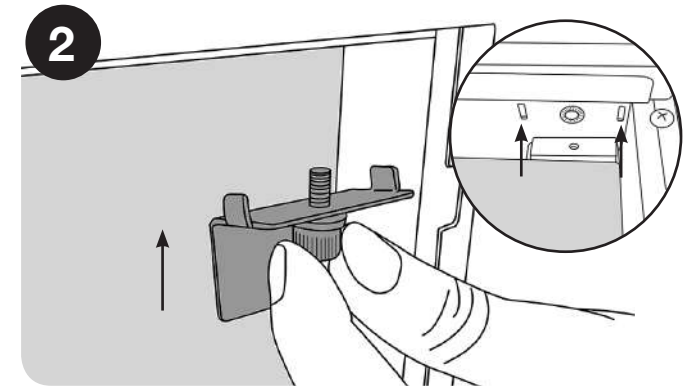
Replacing/ Remplacer/ Vervangen/ Sostituzione/ Erstatte/ Reemplazando



EN: IMPORTANT: When replacing the glass the black tabs must be positioned at the top corners of the appliance.

FR: IMPORTANT : Lors du remplacement de la vitre, les languettes noires doivent être placées au niveau des coins supérieurs de l'appareil.

NL: BELANGRIJK: Wanneer het glas wordt vervangen moeten de zwarte kleppen geplaatst zijn op de bovenhoeken van het toestel.



IT: IMPORTANTE: Quando si sostituisce il vetro, le linguette nere devono essere posizionate negli angoli superiori dell'apparecchio.

NO: VIKTIG: Når du skifter ut glasset må de svarte flikene være plassert på de øverste hjørnene av apparatet.

ES: IMPORTANTE: Al cambiar el vidrio, las lengüetas negras deben quedar en las esquinas superiores de la unidad.

1. Servicing Requirements/ Instructions D'entretien/ Onderhoud/



DURING SERVICING OF THIS APPLIANCE IT MAY BE NECESSARY TO CUT CABLE TIES IN ORDER TO ACCESS AND REMOVE SOME OF THE PARTS. THESE MUST BE REPLACED WHEN REASSEMBLING THE APPLIANCE.



WARNING: The Effects Spindles are sharp, please use caution when servicing this appliance.



NOTE: Due to the number of models covered within this instruction manual the number of screws that need to be removed during servicing may vary.

THIS APPLIANCE MUST ONLY BE SERVICED BY A SUITABLY QUALIFIED PERSON.

BEFORE UNDERTAKING ANY WORK ON THE APPLIANCE: SWITCH OFF THE APPLIANCE AND ISOLATE THE POWER SUPPLY ENSURING THERE IS NO POWER TO THE APPLIANCE.

1.1 Wait for at least 10 minutes until the appliance has cooled down.

1.2 Remote Handset Battery Replacement

Replace with 2 AAA batteries. Make sure the batteries are installed correctly in the remote control.

1.3 Maintenance of Motors

The motor used on the flame effect is pre-lubricated for extended bearing life and requires no further lubrication. However, periodic cleaning/vacuuming of the heater unit is recommended.

1.4 Resetting the Thermal Cutout Switch

The appliance is fitted with an Electronic Safety Control (E.S.). This is a safety device which switches off the fire if, the appliance overheats for any reason e.g. when covered.

If the heater stops operating whilst the flame effect continues normally, this indicates that the E.S. Control is in operation. The E.S. Control can only be re-set after the appliance has cooled down.

To re-set the E.S.:

Switch off the appliance (Manual On/Off switch) and leave for approximately 120 minutes.

Remove any obstruction to the fan heater outlet or other internal parts.

Switch on appliance and the E.S. Control will re-set. Ensure that the appliance is functioning correctly. If the E.S. Control operates again, the appliance should be checked by a competent Electrician.



PENDANT ENTRETIEN DE L'APPAREIL, IL PEUT ETRE NECESSAIRE DE COUPER LES LIENS DE CÂBLE POUR ACCÈS ET À LEVER CERTAINES DES PARTIES. IL FAUT LES REMPLACER LORS DU REMONTAGE L'APPAREIL.



AVERTISSEMENT : Les axes des effets sont coupants, faites bien attention lorsque vous réparez cet appareil.



REMARQUE : Vu le nombre de modèles couverts dans ce manuel d'instructions, le nombre de vis devant être retirées pendant les réparations peut varier.

LA MAINTENANCE DE CET APPAREIL NE DOIT ÊTRE EFFECTUÉE QUE PAR UNE PERSONNE QUALIFIÉE. AVANT D'EFFECTUER DES TRAVAUX SUR L'APPAREIL: Arrêter l'appareil et ISOLER L'ALIMENTATION ÉLECTRIQUE EN VÉRIFIANT QUE L'APPAREIL N'EST PLUS ALIMENTÉ.

1.1 Attendre au moins 10 minutes jusqu'à ce que l'appareil soit froid.

1.2 Remplacement de la pile électrique de la télécommande

La remplacer avec 2 x pile électrique de type AAA. Vérifier que la pile est installée correctement dans la télécommande.

1.3 Maintenance des moteurs

Les moteurs du ventilateur et de l'effet flamme sont prégraissés pour prolonger la durée de vie des roulements et ne nécessitent aucun graissage supplémentaire. Toutefois, il est recommandé de nettoyer à l'aide d'un aspirateur périodiquement l'unité ventilateur/ chauffage.

1.4 Réenclenchement du disjoncteur thermique

L'appareil est équipé d'un dispositif de sécurité électronique. C'est un dispositif de sécurité qui éteint l'appareil en cas de surchauffe de celui-ci, par ex. lorsqu'il est recouvert.

Si le chauffage s'arrête alors que l'effet flamme continu normalement, cela indique que le dispositif de sécurité est en cours de fonctionnement.

Le dispositif de sécurité ne peut être réenclenché que lorsque l'appareil est froid.

Réenclenchement du dispositif de sécurité :

Éteindre l'appareil (interrupteur manuel On/Off) et le laisser refroidir pendant 120 minutes.

Dégager toute obstruction de la sortie du ventilateur de chauffage ou de toutes autres parties internes.

Allumer l'appareil et le dispositif de sécurité se réenclenchera. Vérifier que l'appareil fonctionne correctement. Si le dispositif de contrôle se déclenche de nouveau, l'appareil doit être vérifié par un électricien compétent.



TIJDENS ONDERHOUD VAN DIT APPARAAT KAN HET NODIG ZIJN OM DE KABELBINDERS LOS TE SNIJDEN OM TOEGANG TE VERKRIJGEN TOT DELEN OF OM DEZE TE VERWIJDEREN. DEZE MOETEN WORDEN TERUGGEPLAATST BIJ HET OPNIEUW AANBRENGEN VAN HET APPARAAT.



WAARSCHUWING: Wees a.u.b. voorzichtig bij het gebruik van dit toestel; de effectenspindels zijn scherp.



OPMERKING: Ten gevolge van het aantal modellen dat deze handleiding bedient kan het aantal schroeven dat moet worden verwijderd bij onderhoud variëren.

DIT APPARAAT MAG UITSLUITEND ONDERHOUDEN WORDEN DOOR EEN VOLDOENDE GEKWALIFICEERDE PERSOON.

ALVORENS IETS TE DOEN AAN HET TOESTEL: SCHAKEL HET TOESTEL UIT EN ISOLEER DE STROOMTOEVOER. CONTROLEER DAT HET TOESTEL NIET ONDER STROOM STAAT.

1.1 Wacht minstens 10 minuten totdat het apparaat is afgekoeld.

1.2 Batterijen Afstandsbediening Vervangen

Met een AAA-batterij vervangen. Zorg ervoor dat de batterij op de juiste wijze in de afstandsbediening is geplaatst.

1.3 Onderhoud van Motoren

De motoren die voor de ventilator en het vlammeffect gebruikt worden zijn vooraf gesmeerd voor een langere levensduur van de lagers en hebben geen verdere smering nodig. Het wordt echter aanbevolen de ventilator/verwarmingsunit regelmatig te reinigen/ stof weg te zuigen.

1.4 De thermische beveiligingsschakelaar resetten

Het toestel is uitgerust met een Electronic Safety Control (E.S.). Dit is een veiligheidsvoorziening die de haard uitschakelt als het apparaat, om welke reden dan ook, oververhit raakt, bijvoorbeeld wanneer hij afgedekt is.

Als de haard niet meer functioneert, maar het vlammeffect blijft gewoon doorgaan, geeft dit aan dat de ES Control functioneert.

De E.S. Control kan alleen opnieuw worden ingesteld nadat het apparaat is afgekoeld. Opnieuw instellen van de ES: Schakel het apparaat uit (Handmatige aan/uit-schakelaar) en laat het gedurende 120 minuten afkoelen.

Verwijder eventuele verstoppingen uit de uitlaat van de ventilatorkachel of andere interne onderdelen.

Zet het apparaat opnieuw aan en de E.S. Control zal opnieuw ingesteld worden. Zorg ervoor dat het apparaat op de juiste wijze functioneert. Als de E.S. Control opnieuw functioneert, moet het apparaat door een vakbekwame electricien worden gecontroleerd.

1. Requisiti Di Riparazione/ Servicekrav/ Podstawowe wymagania



DURANTE LA RIPARAZIONE DI QUESTO APPARECCHIO POTREBBE ESSERE NECESSARIO TAGLIARE LE FASCETTE DEI CAVI PER RAGGIUNGERE E TOGLIERE ALCUNE PARTI. QUESTE DEVONO ESSERE RIMESSE AL LORO POSTO QUANDO DI RIMONTA L'APPARECCHIO.



ATTENZIONE: Gli eccentrici degli effetti sono nitidi, si prega di usare cautela durante la manutenzione di questo apparecchio.



NOTA: A causa del numero di modelli coperti da questo manuale di istruzioni, il numero di viti che devono essere rimosse durante la manutenzione può variare.

QUESTO APPARECCHIO DEVE ESSERE RIPARATO SOLO DA PERSONALE QUALIFICATO. PRIMA DI MANEGGIARE L'APPARECCHIO: SPEGNERE L'APPARECCHIO, ISOLARE L'ALIMENTAZIONE E ASSICURARSI CHE L'APPARECCHIO NON SIA ALIMENTATO DALLA CORRENTE.

- 1.1 Attendere almeno 10 minuti, in modo da far raffreddare l'unità.
- 1.2 **Sostituzione delle pile del telecomando**
Sostituire con 2 x pila AAA. Assicurarsi che la pila sia correttamente installata nel telecomando.
- 1.3 **Manutenzione dei motori**
I motori utilizzati nella ventola e nell'effetto fiamma sono già lubrificati per aumentare la durata dei cuscinetti e non richiedono ulteriore lubrificazione. Tuttavia, si consiglia una pulizia/aspirazione periodica della ventola/riscaldatore.
- 1.4 **Reimpostazione dell'interruttore termico di sicurezza**
L'apparecchio è dotato di un controllo elettronico di sicurezza (E.S.), un dispositivo di sicurezza che spegne il caminetto se si surriscalda per qualsiasi motivo, ad esempio se viene coperto.

Se il riscaldatore smette di funzionare e l'effetto fiamma continua a funzionare, significa che il controllo E.S. si è attivato. Il controllo E.S. può essere reimpostato solo dopo che l'apparecchio si è raffreddato.
Per reimpostare il controllo E.S.:
Spegnerne l'apparecchio (interruttore manuale On/Off) e lasciarlo raffreddare per circa 120 minuti.
Rimuovere eventuali ostruzioni dall'uscita del riscaldatore a ventola o da altre parte interne.
Accendere l'apparecchio e il controllo E.S. si reimposterà. Assicurarsi che l'apparecchio funzioni correttamente. Se il controllo E.S. si riattiva, far controllare l'apparecchio da un elettricista qualificato.



UNDER VEDLIKEHOLD AV DETTE APPARATET KAN DET VÆRE NØDVENDIG Å KUTTE BUNTEBÅND FOR Å KOMME TIL OG FJERNE NOEN DELER. DISSE MÅ ERSTATTES NÅR APPARATET SETTES SAMMEN IGJEN.



ADVARSEL: Effektspindler er skarpe, vennligst vær forsiktig når du vedlikeholder dette apparatet.



MERK: På grunn av antall modeller som dekkes innenfor denne instruksjonsmanualen, kan antall skruer som må tas ut ved vedlikehold variere.

KUN KVALIFISER PERSONELL MÅ UTFØRE VEDLIKEHOLD PÅ DENNE PEISEN. FØR DET GJØRES ARBEID PÅ APPARATET: SLÅ AV APPARATET OG TA UT STRØMFORSYNINGEN SLIK AT DET IKKE FINNES NOE STRØM TIL APPARATET.

- 1.1 Vent minst 10 minutter til peisen har kjølt seg ned.
- 1.2 **Bytte av batteri på fjernkontroll**
Bytt ut med et AAA-batteri. Forsikre deg om at batteriet er montert korrekt i fjernkontrollen.
- 1.3 **Vedlikehold av motorer**
Motoren til viften og flammeeffekten er forhåndsmurt for å forlenge lagrenes levetid og trenger derfor ikke smøres. Periodisk rengjøring/støvsuging av viften/peisen anbefales imidlertid.
- 1.4 **Tilbakestilling av termisk sikringsautomat**
Peisen er utstyrt med en elektronisk sikkerhetskontroll (E.S.). Dette er en sikkerhetsanordning som slår av flammen dersom peisen av en eller annen grunn blir overopphetet, f.eks. ved tildekking.

Dersom peisen slutter å fungere mens flammeeffekten fortsetter som normalt, betyr det at E.S.-kontrollen er i drift. E.S.-kontrollen kan bare tilbakestilles etter at peisen er nedkjølt. Tilbakestill E.S.:
Slå av peisen (med den manuelle Av/På-bryteren) og la peisen stå i 120 minutter.
Fjern eventuelle hindringer i avløpet for viftevarmeren eller andre indre deler.
Slå på peisen, og E.S.-kontrollen vil tilbakestilles. Forsikre deg om at peisen fungerer korrekt. Dersom E.S.-kontrollen slår inn igjen, bør peisen sjekkes av en fagkyndig elektriker.



DURANTE LA REPARACIÓN DE ESTE APARATO, PODRÍA TENER QUE CORTAR BRIDAS DE CABLES PARA PONER ACCEDER A ALGUNAS PIEZAS PARA SU DESMONTAJE. LAS BRIDAS SE DEBERÁN VOLVER A COLOCAR CUANDO SE INSTALE DE NUEVO EL APARATO.



ADVERTENCIA: Los ejes de efectos son filosos; tenga cuidado al efectuar el mantenimiento de la unidad.



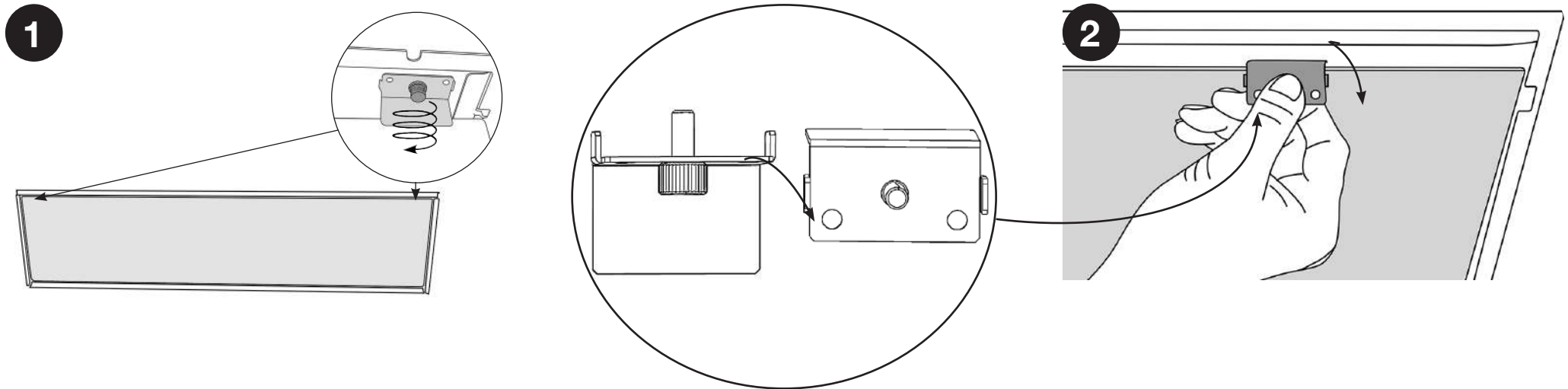
NOTA: Debido a la cantidad de modelos distintos que abarca este manual de instrucciones, la cantidad de tornillos que debe quitar para hacer el mantenimiento puede variar.

ESTE APARATO SOLAMENTE DEBE REPARARLO UNA PERSONA DEBIDAMENTE ACREDITADA. ANTES DE REALIZAR TAREAS CON EL APARATO: APAGUE EL APARATO Y RETIRE LA FUENTE DE ALIMENTACIÓN PARA ASEGURAR QUE EL APARATO NO CUENTA CON ALIMENTACIÓN ELÉCTRICA.

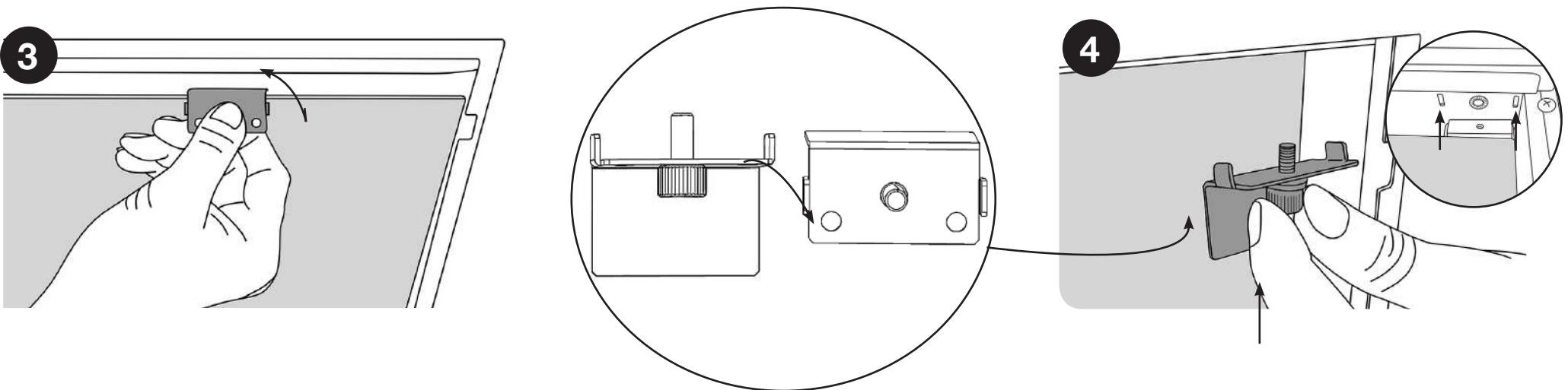
- 1.1 Espere al menos 10 minutos hasta que se haya enfriado el aparato.
- 1.2 **Sustitución de la pila del mando a distancia**
Sustituir por 2 pilas AAA. Asegúrese de que la pila se encuentra correctamente instalada en el mando a distancia.
- 1.3 **Mantenimiento de los motores**
Los motores empleados en el ventilador y en el efecto de llama vienen ya engrasados para prolongar su vida útil y no requieren volver a ser engrasados. Sin embargo, sí se recomienda la limpieza o aspirado periódicos de la unidad del ventilador/calefactor.
- 1.4 **Reiniciación del interruptor térmico de protección**
El aparato dispone de un control electrónico de seguridad. Se trata de un dispositivo de seguridad que desconecta la estufa en caso de que el aparato se sobrecaliente por cualquier razón, como por ejemplo al cubrirse.

Si el calefactor deja de funcionar mientras continua con normalidad el efecto de llama, es un indicador de que el control de seguridad se ha activado. Este control solamente puede reiniciarse una vez que el aparato se ha enfriado.
Para reiniciar el control de seguridad:
Desconecte el aparato (interruptor encendido/apagado manual) y espere unos 120 minutos.
Elimine cualquier obstrucción en la salida del ventilocalentador u otras piezas internas.
Encienda el aparato y el control de seguridad se reiniciará. Compruebe que el aparato funciona con normalidad. Si el control de seguridad se activa de nuevo, el aparato deberá ser revisado por un electricista cualificado.

2. Removing the Glass/ Retrait de la vitre/ Het glas verwijderen/ Togliere il vetro/ Fjerning av glasset/ Cómo desmontar el cristal



Replacing/ Remplacer/ Vervangen/ Sostituzione/ Erstatte/ Reemplazando



EN: IMPORTANT: When replacing the glass the black tabs must be positioned at the top corners of the appliance.

FR: IMPORTANT : Lors du remplacement de la vitre, les languettes noires doivent être placées au niveau des coins supérieurs de l'appareil.

NL: BELANGRIJK: Wanneer het glas wordt vervangen moeten de zwarte kleppen geplaatst zijn op de bovenhoeken van het toestel.

IT: IMPORTANTE: Quando si sostituisce il vetro, le linguette nere devono essere posizionate negli angoli superiori dell'apparecchio.

NO: VIKTIG: Når du skifter ut glasset må de svarte flikene være plassert på de øverste hjørnene av apparatet.

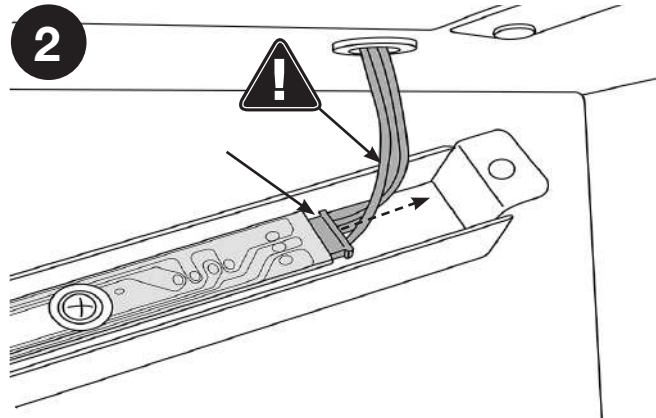
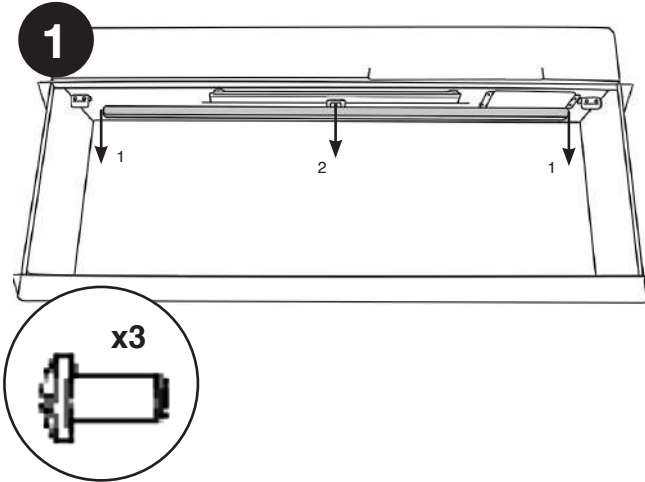
ES: IMPORTANTE: Al cambiar el vidrio, las lengüetas negras deben quedar en las esquinas superiores de la unidad.

3. Removing the LED Light Bar/ Retirer la barre à LED/ De LED-lichtbalk verwijderen/ Rimozione della barra luminosa a LED/
Ta ut LED-lysbjelken/ Desmontaje de la barra de luces LED



EN: Follow section 2
FR: Suivez la section 2
NL: Volg sectie 2

IT: Segui la sezione 2
NO: Følg avsnitt 2
ES: Siga la sección 2



EN: NOTE: When replacing the LED Light Bar ensure that the central tab is positioned at the front of the firebox.



PLEASE ENSURE NO WIRES ARE TRAPPED.

FR: REMARQUE : Lorsque vous remplacez la Barre à LED veuillez à ce que la languette centrale soit placée à l'avant du foyer.



VEUILLEZ VOUS ASSURER QU'AUCUN CÂBLE N'EST COINCÉ.

NL: OPMERKING: Controleer bij het vervangen van de LED-lichtbalk of de hoofdklep zich voor de voorkant van de haard bevindt.



ZORG ERVOOR DAT ER GEEN DRADEN VAST KOMEN TE ZITTEN

IT: NOTA: Quando si sostituisce la barra luminosa a LED, assicurarsi che la linguetta centrale sia posizionata nella parte anteriore della scatola di combustione.



ACCERTARSI CHE NON CI SIANO DEI FILI RIMASTI INTRAPPOLATI.

NO: MERK: Når du skifter ut LED-lysbjelken sørg for at den midtre fliken er plassert foran på brennkammeret.



VENNLIGST SE TIL AT INGEN LEDNINGER ER FANGET.

ES: NOTA: Al cambiar la barra de luces LED, verifique que la lengüeta central quede hacia el frente del hogar.



VERIFIQUE QUE NINGÚN CABLE QUEDE ATRAPADO.

4. Removing the Fuel Bed/ Dépose du lit de combustible/ Het brandstofbed verwijderen/ Togliere il crogiolo di combustione/ Fjerning av brennkammeret/ Cómo desmontar el lecho de combustible



EN: Follow section 2
FR: Suivez la section 2
NL: Volg sectie 2

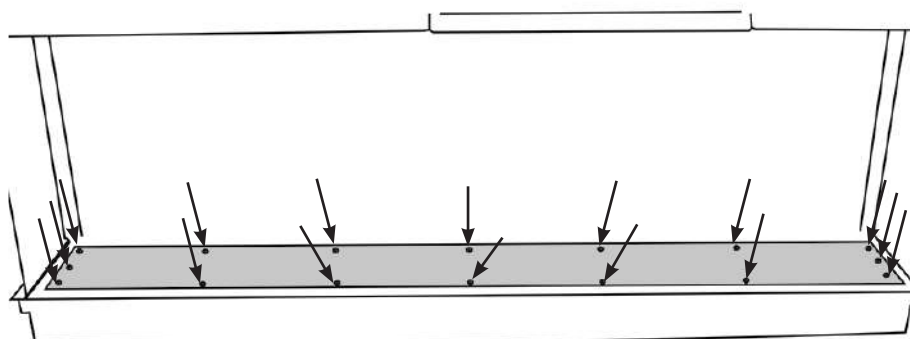
IT: Segui la sezione 2
NO: Følg avsnitt 2
ES: Siga la sección 2



EN: With the glass removed carefully gather up the fuel effect and place to one side.
FR: Une fois la vitre retirée, rassembler l'effet combustible avec précaution et le mettre de côté.
NL: Als het glas is verwijderd, verzamel voorzichtig het brandstofeffect en plaats dit aan één zijde.
IT: Col vetro tolto, raccogliere l'effetto combustibile con attenzione e metterlo da parte.
NO: Når glasset er fjernet samles effektene forsiktig opp og legges til side.
ES: Con el vidrio desmontado, aplique con cuidado el efecto de combustible y colóquelo a un costado.



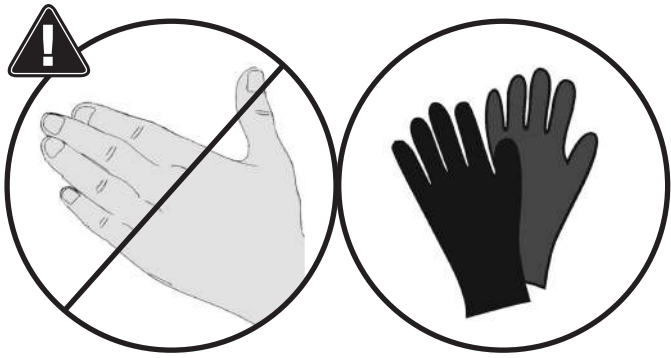
EN: IMPORTANT: The number of screws may vary between models.
FR: IMPORTANT: Le nombre de vis peut varier d'un modèle à l'autre.
NL: BELANGRIJK: Het aantal schroeven kan per model verschillen.
IT: IMPORTANTE: Il numero di viti può variare tra i modelli.
NO: VIKTIG: Antall skruer kan variere mellom modellene.
ES: IMPORTANTE: La cantidad de tornillos puede variar entre un modelo y otro.



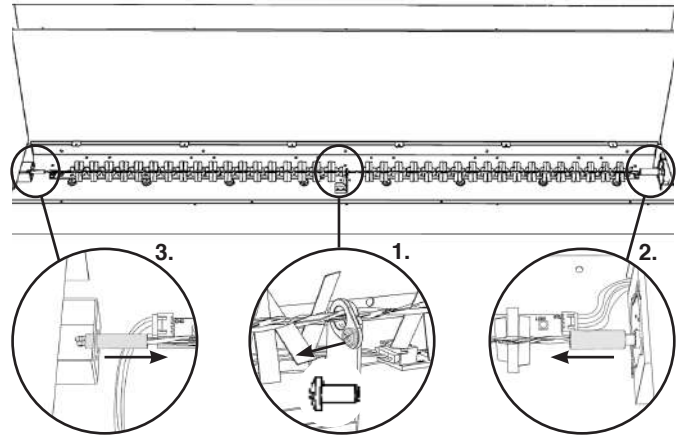
EN: Note: When replacing the fuel bed ensure that the rough side faces up and that it locates under the lip at the front and sides of the firebox.
FR: Remarque : Lors du remplacement du lit de combustible, veillez à ce que le côté rugueux soit tourné vers le haut et à ce qu'il se trouve sous la lèvre à l'avant et sur les côtés du foyer.
NL: Opmerking: Controleer bij het vervangen van het brandstofbed of de ruwe kant naar boven is gericht en dat deze zich onder de rand aan de voor- en zijkanten van de haard bevindt.
IT: Nota: Quando si sostituisce il crogiolo di combustione, assicurarsi che il lato ruvido sia rivolto verso l'alto.
NO: Merk: Når du skifter brennkammeret sørg for at den grove siden peker oppover og at den plasseres under fliken foran og på sidene av brennkammeret.
ES: Nota: Al cambiar el lecho de combustible, verifique que el lado rugoso quede hacia arriba y por debajo del reborde en el frente y los lados del hogar.

5. Replacing the Fuel Bed Effects Spindle/ Remplacer l'axe des effets du lit de combustible/ De brandstofbedeffectenspindel herplaatsen/
Sostituzione dell'eccentrico effetti del crogiolo di combustione/ Utskiifting av brennkammerets effektspindel/ Cambio del eje de efectos del lecho de combustible

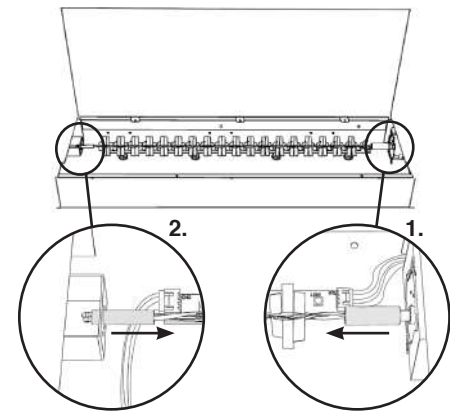
i EN: Follow section 2 & 4
FR: Suivez la section 2 & 4
NL: Volg sectie 2 & 4
IT: Segui la sezione 2 & 4
NO: Følg avsnitt 2 & 4
ES: Siga la sección 2 & 4



1a 70W/ 75W/ 110W



1b 55W



6. Replacing the Fuel Bed LED Boards/ Remplacer le panneau à LED du lit de combustible/ Het ledbord van het brandstofbed vervangen/ Sostituzione delle schede LED del crogiolo di combustione/ Utskifting av brenselsengens LED-brett/ Cambio de los paneles de luces LED del lecho de combustible



EN: Follow section 2 & 4
FR: Suivez la section 2 & 4
NL: Volg sectie 2 & 4
IT: Segui la sezione 2 & 4
NO: Følg avsnitt 2 & 4,
ES: Siga la sección 2 & 4

EN: To remove the LED Boards it is NOT necessary to remove the Effects Spindle.

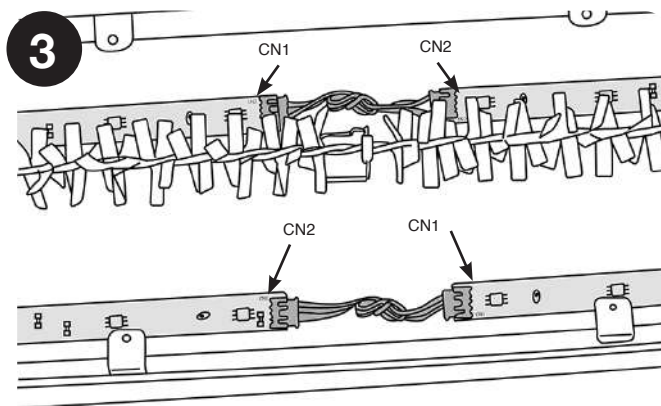
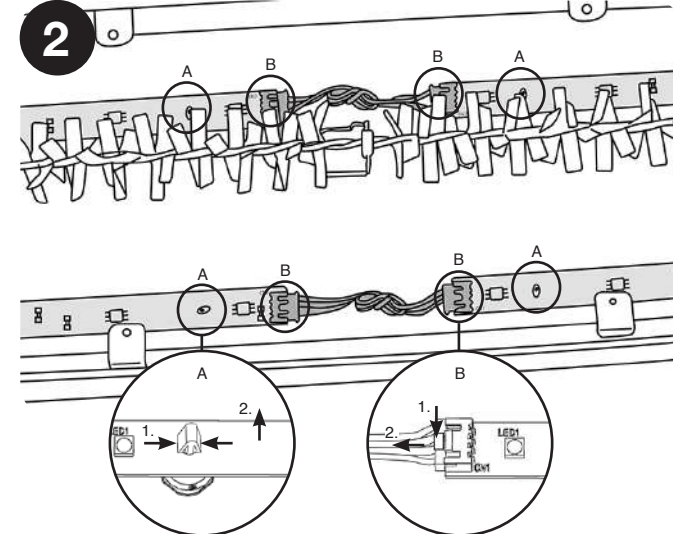
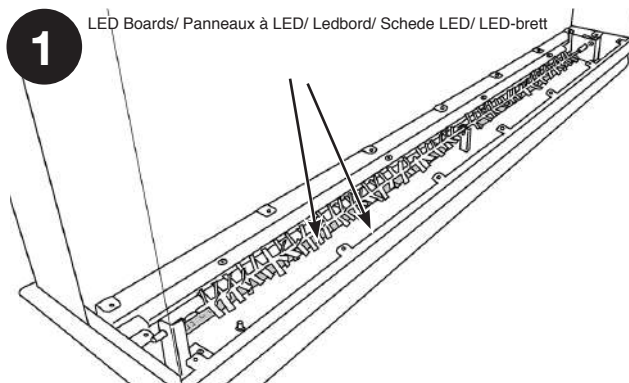
FR: Pour retirer les Panneaux à LED il N'est PAS nécessaire de retirer l'axe des effets.

NL: Het is NIET nodig om de effectenspindel te verwijderen voor het verwijderen van de LED-panels.

IT: Per rimuovere le schede LED NON è necessario rimuovere l'eccentrico effetti.

NO: For å fjerne LED-kortene er det IKKE nødvendig å fjerne effekt-spindelen.

ES: Para quitar los paneles de luces LED, NO ES necesario quitar el eje de efectos.



EN: IMPORTANT: The number of LED Boards may vary between models.
FR: IMPORTANT: Le nombre de cartes à LED peut varier d'un modèle à l'autre.
NL: BELANGRIJK: Het aantal LED-borden kan per model verschillen.
IT: IMPORTANTE: Il numero di schede LED può variare tra i modelli.
NO: VIKTIG: Antall LED-brett kan variere mellom modellene.
ES: IMPORTANTE: La cantidad de paneles de luces LED puede variar entre un modelo y otro.



EN: IMPORTANT:

Test the LEDs before refitting the Fuel Bed.
The LED Boards must be connected correctly with the CN1 in and the CN2 out in the correct orientation.

FR: IMPORTANT:

Testez les LED avant de replacer la lit de combustible.
Les Panneaux à LED doivent être correctement branchés à l'entrée CN1 et à la sortie CN2 dans le bon sens.

NL: BELANGRIJK:

Test de LED's vóór herplaatsen van het brandstofbed.
De LED-panels moeten op de juiste wijze en in de juiste positie gekoppeld zijn aan de CN1-in en de CN2-uit.

IT: IMPORTANTE:

Testare i LED prima di rimontare il crogiolo di combustione.
Le schede LED devono essere collegate correttamente con CN1 all'interno e CN2 all'esterno nell'orientamento corretto.

NO: VIKTIG:

Test LED-lampene før setter på plass brennkammeret.
LED-kortene må kobles til riktig med CN1 inn og CN2 ut i riktig retning.

ES: IMPORTANTE:

Pruebe las luces LED antes de volver a colocar el lecho de combustible.
Los paneles de luces LED se deben conectar correctamente con los terminales CN1 y CN2, y deben tener la orientación correcta.

7. Removing the Interior Glass/ Retrait de la vitre intérieure/ Het binnenste glas verwijderen/
Rimozione dello schermo di vetro interno/ Ta ut det innvendige glasset/ Desmontaje del vidrio interior



EN: Follow section 2 & 4
FR: Suivez la section 2 & 4
NL: Volg sectie 2 & 4

IT: Segui la sezione 2 & 4
NO: Følg avsnitt 2 & 4
ES: Siga la sección 2 & 4



EN: IMPORTANT: When replacing the glass the side with the glossy finish must face towards the front of the appliance.

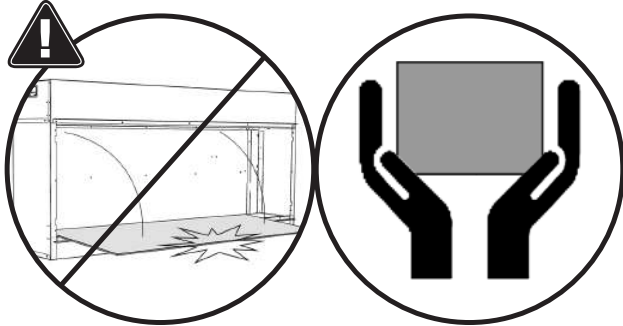
FR: IMPORTANT: Lors du remplacement de la vitre, le côté brillant doit faire face à l'avant de l'appareil.

NL: BELANGRIJK: Wanneer het glas wordt vervangen, moet de kant met de glanzende afwerking richting de voorkant van het toestel staan.

IT: IMPORTANTE: Quando si sostituisce il vetro, il lato con la finitura lucida deve essere rivolto verso la parte anteriore dell'apparecchio.

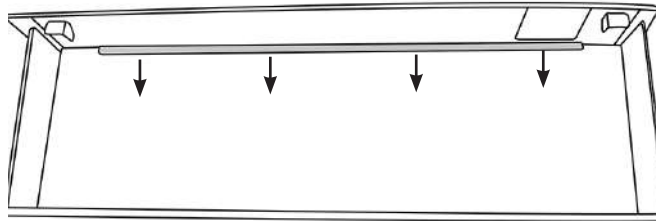
NO: VIKTIG: Når du setter inn glasset må den blanke siden være mot framsiden av apparatet.

ES: IMPORTANTE: Al cambiar el vidrio, el lado con el acabado satinado debe quedar orientado hacia el frente de la unidad.

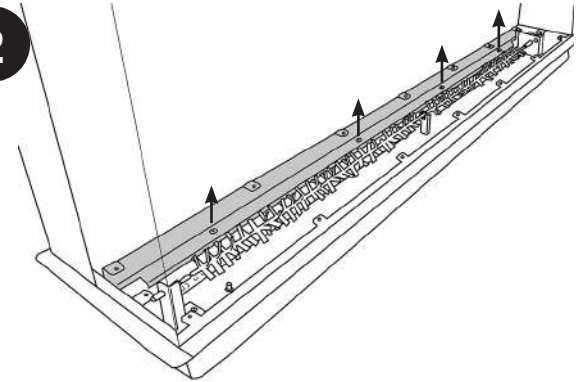


1

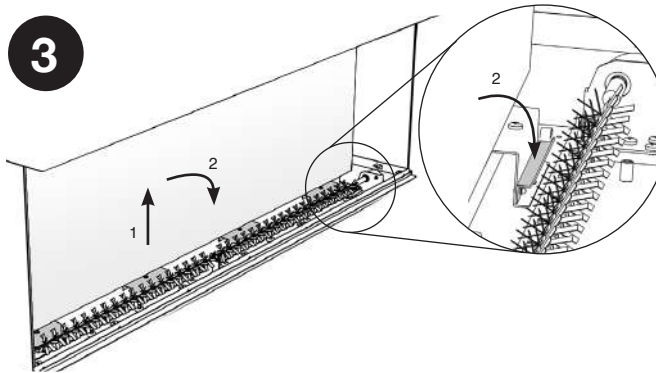
75W/ 110W x4
55W/ 70W x 3



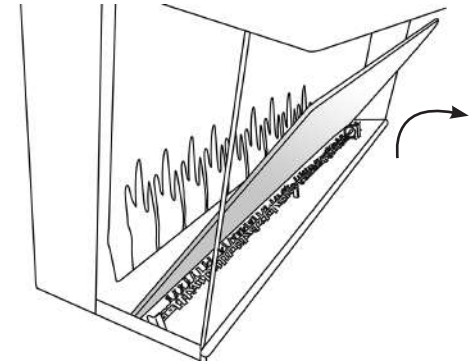
2



3



4



Replacing/ Remplacer/ Vervangen/ Sostituzione/ Erstatte/ Reemplazando

EN: Note: When reinstalling the glass it may be necessary to move the Effects Motor Bracket forward to provide clearance. To do this remove the 3 screws securing the motor bracket from the base of the appliance and move the Effects Bracket forward slightly.

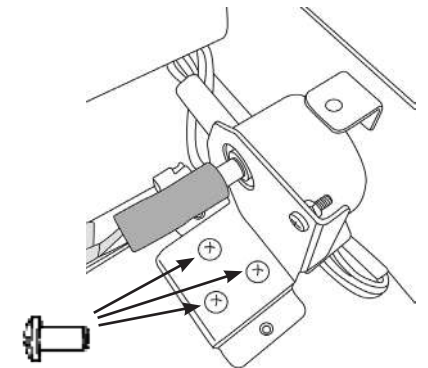
FR: Remarque : Lors du remontage de la vitre, il peut être nécessaire de déplacer le support du moteur des effets vers l'avant pour faire de la place. Pour ce faire, retirez les 3 vis fixant le support du moteur de la base de l'appareil et déplacez le support des effets légèrement vers l'avant.

NL: Opmerking: Bij het herplaatsen van het glas kan het nodig zijn om de effectenmotorbeugel naar voren te bewegen om ruimte te maken. Verwijder hiervoor de 3 schroeven die de motorbeugel aan het voetstuk van het toestel verzekeren en beweeg de effectenbeugel voorzichtig naar voren.

IT: Nota: Quando si reinstalla il vetro potrebbe essere necessario spostare la staffa del motore degli effetti in avanti per fare spazio. Per fare ciò, rimuovere le 3 viti che fissano la staffa del motore dalla base dell'apparecchio e spostare leggermente in avanti la staffa degli effetti, vedere la figura 20.

NO: Merk: Når du setter glasset på plass kan det være nødvendig å flytte effektmotor-braketten forover for å gi klaring. For å gjøre dette, ta ut de 3 skruene som fester motorbraketten fra apparatets fundament og flytt effekt-braketten litt forover.

ES: Nota: Al volver a colocar el vidrio, puede ser necesario mover el soporte del motor de efectos hacia adelante, para dejar espacio. Para hacerlo, quite los 3 tornillos que sujetan el soporte del motor a la base de la unidad y mueva el soporte de efectos ligeramente hacia adelante.



8. Removing the Effects Screen/ Retrait de l'écran des effets/ Het Effectenscherf verwijderen/
Togliere lo schermo degli effetti/ Fjerning av effektskjermen/ Cómo desmontar la pantalla de efectos



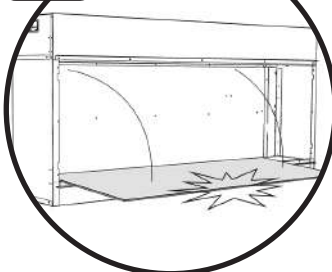
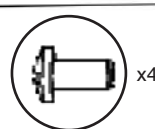
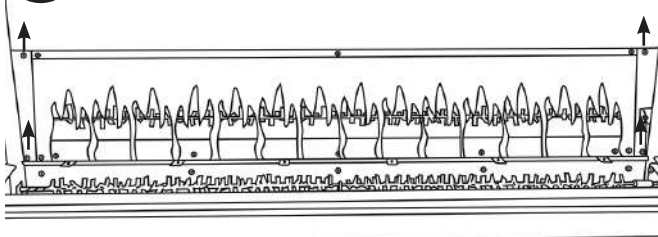
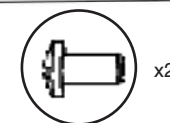
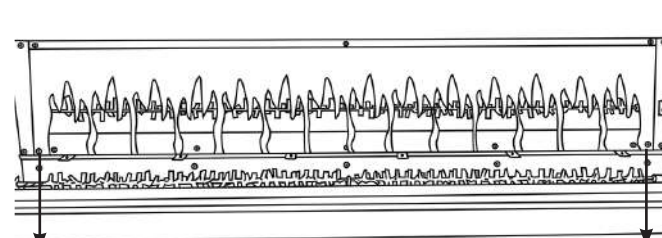
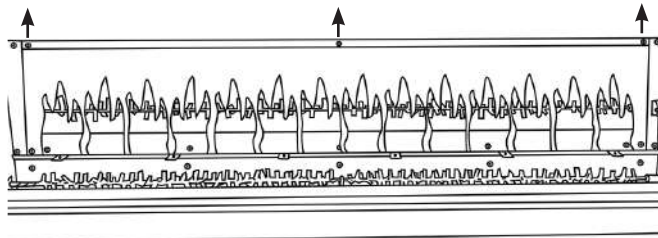
EN: Follow section 4, 6, & 7 IT: Segui la sezione 4, 6, & 7
FR: Suivez la section 4, 6, & 7 NO: Følg avsnitt 4, 6, & 7
NL: Volg sectie 4, 6, & 7 ES: Siga la sección 2, 6 & 7



EN: IMPORTANT: The number of screws may vary between models.
FR: IMPORTANT: Le nombre de vis peut varier d'un modèle à l'autre.
NL: BELANGRIJK: Het aantal schroeven kan per model verschillen.
IT: IMPORTANTE: Il numero di viti può variare tra i modelli.
NO: VIKTIG: Antall skruer kan variere mellom modellene.
ES: IMPORTANTE: La cantidad de tornillos puede variar entre un modelo y otro.



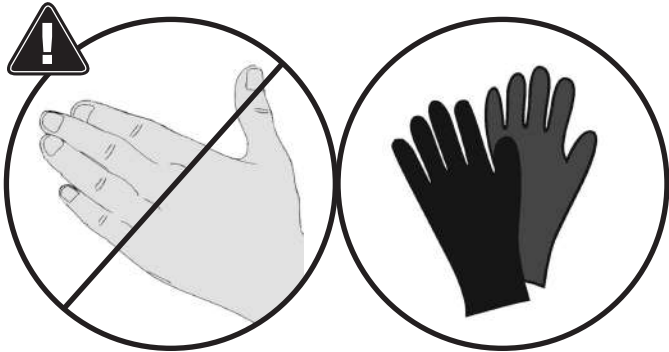
EN: IMPORTANT: When replacing the Effects Screen the side with the glossy finish must face towards the front of the appliance with the flames in the correct orientation.
FR: IMPORTANT: Lors du remplacement de l'écran des effets, le côté brillant doit faire face à l'avant de l'appareil avec les flammes dans le bon sens.
NL: BELANGRIJK: Wanneer het scherm wordt teruggeplaatst moet de kant met de glanzende afwerkingen richting de voorkant van het toestel staan en met de vlammen in de juiste richting.
IT: IMPORTANTE: Quando si sostituisce la schermata degli effetti, il lato con la finitura lucida deve essere rivolto verso la parte anteriore dell'apparecchio con le fiamme orientate correttamente.
NO: VIKTIG: Når du skifter ut effekt-skjermen må siden med den blanke overflaten peke mot fremsiden av apparatet med flammene i riktig retning.
ES: IMPORTANTE: Al cambiar la pantalla de efectos, el lado con el acabado satinado debe quedar orientado hacia el frente de la unidad, y las llamas con la orientación correcta.



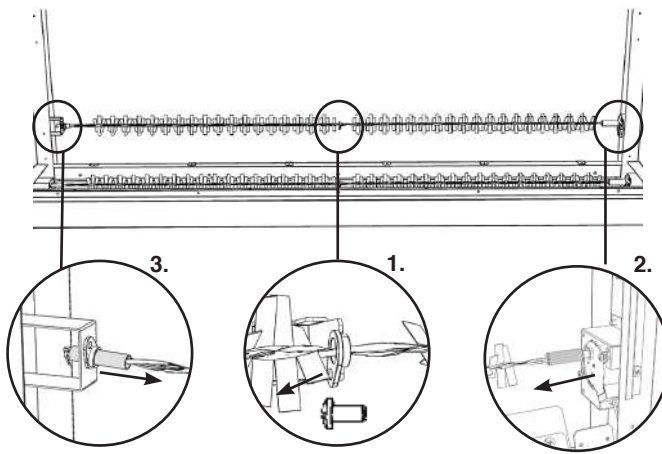
EN: IMPORTANT: When refitting the brackets the folded tab must be located at the top.
FR: IMPORTANT: Lorsque vous remontez les supports, la languette pliée doit être placée en haut.
NL: BELANGRIJK: Wanneer de beugels teruggeplaatst worden, moet de gevouwen lus zich bovenop bevinden.
IT: IMPORTANTE: Quando si rimettono le staffe, la linguetta piegata deve trovarsi in alto.
NO: VIKTIG: Når du setter brakettene på plass, må den bøyde fliken befinne seg på toppen.
ES: IMPORTANTE: Al volver a colocar los soportes, la saliente plegada debe quedar en la parte superior.

9. Replacing the Flame Effects Spindle/ Remplacer l'axe des effets de flamme/ De vlammeffectenspindel terugplaatsen/
Sostituzione dell'eccentrico effetti fiamma/ Utskifting av flamme-effektspindelen/ Cambio del eje de efectos de llama

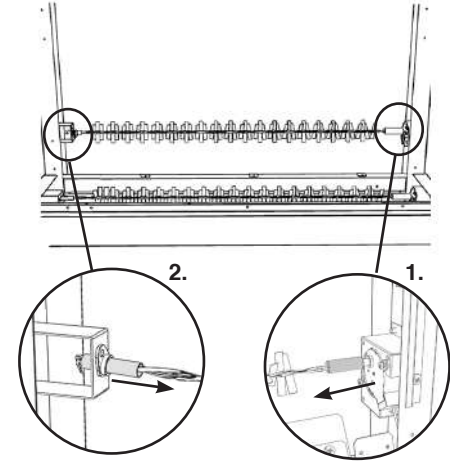
i EN: Follow section 2, 4, 7 & 8
FR: Suivez la section 2, 4, 7 & 8
NL: Volg sectie 2, 4, 7 & 8
IT: Segui la sezione 2, 4, 7 & 8
NO: Følg avsnitt 2, 4, 7 & 8
ES: Siga la sección 2, 4, 7 & 8



1a 70W/ 75W/ 110W



1b 55W

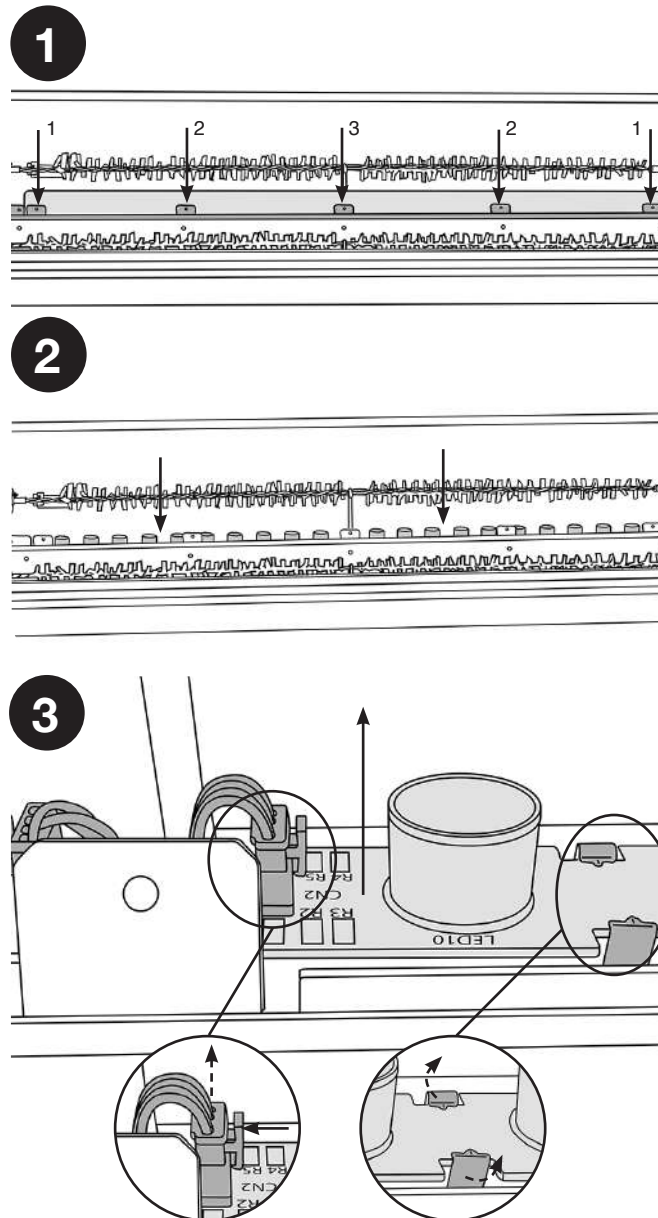


10. Replacing the Flame Effect LED Board/ Remplacement de la carte à LED de l'effet flamme/ Het led-paneel van het vlameffect vervangen/ Riposizionamento del pannello di LED dell'effetto fiamma/ Bytte ut led-kortet for flammeeffekt/ Cambio del panel de luces LED del efecto de llama

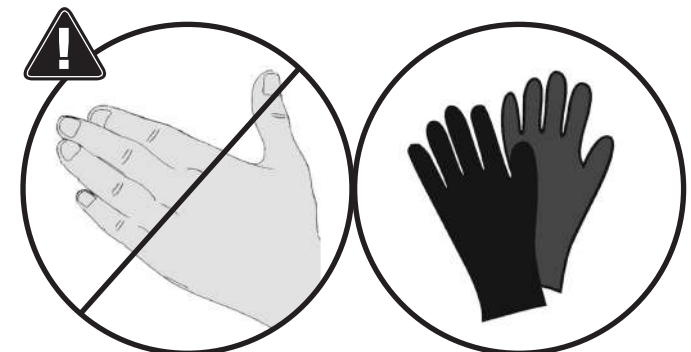
i EN: Follow section 2, 4, 7 & 8 IT: Segui la sezione 2, 4, 7 & 8
FR: Suivez la section 2, 4, 7 & 8 NO: Følg avsnitt 2, 4, 7 & 8
NL: Volg sectie 2, 4, 7 & 8 ES: Siga la sección 2, 4, 7 & 8

i EN: IMPORTANT: The number of LED Boards may vary between models.
FR: IMPORTANT: Le nombre de cartes à LED peut varier d'un modèle à l'autre.
NL: BELANGRIJK: Het aantal LED-borden kan per model verschillen.
IT: IMPORTANTE: Il numero di schede LED può variare tra i modelli.
NO: VIKTIG: Antall LED-brett kan variere mellom modellene.
ES: IMPORTANTE: La cantidad de paneles de luces LED puede variar entre un modelo y otro.

! EN: IMPORTANT: Test the LEDs before refitting the Fuel Bed. The LED Boards must be connected correctly with the CN1 in and the CN2 out in the correct orientation.
FR: IMPORTANT : Testez les LED avant de replacer la lit de combustible. Les Panneaux à LED doivent être correctement branchés à l'entrée CN1 et à la sortie CN2 dans le bon sens.
NL: BELANGRIJK: Test de LED's vóór herplaatsen van het brandstofbed. De LED-panels moeten op de juiste wijze en in de juiste positie gekoppeld zijn aan de CN1-in en de CN2-uit.
IT: IMPORTANTE: Testare i LED prima di rimontare il crogiolo di combustione. Le schede LED devono essere collegate correttamente con CN1 all'interno e CN2 all'esterno nell'orientamento corretto.
NO: VIKTIG: Test LED-lampene før setter på plass brennkammeret. LED-kortene må kobles til riktig med CN1 inn og CN2 ut i riktig retning.
ES: IMPORTANTE: Pruebe las luces LED antes de volver a colocar el lecho de combustible. Los paneles de luces LED se deben conectar correctamente con los terminales CN1 y CN2, y deben tener la orientación correcta.



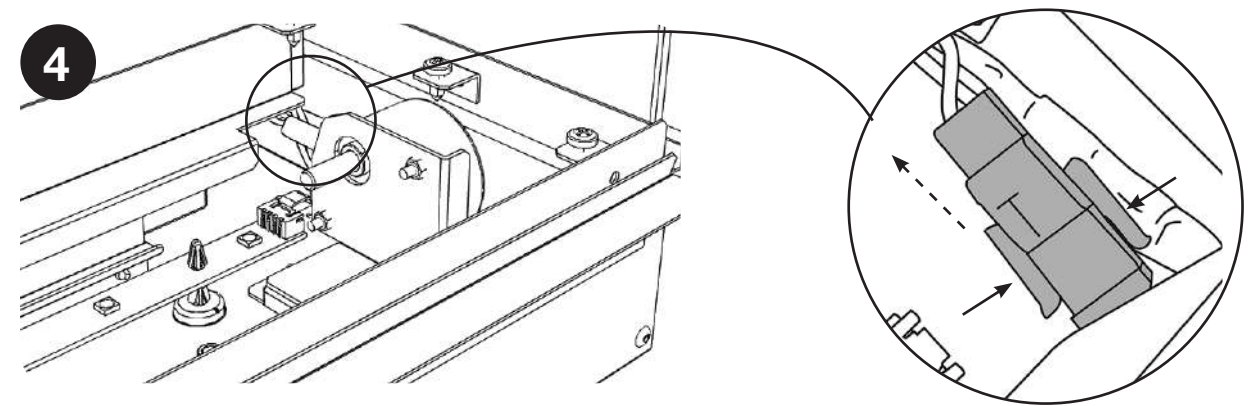
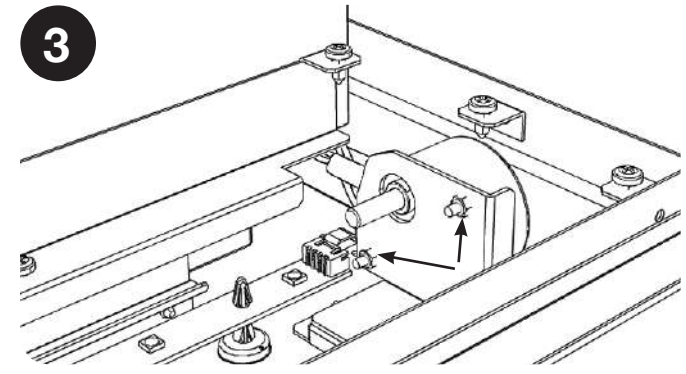
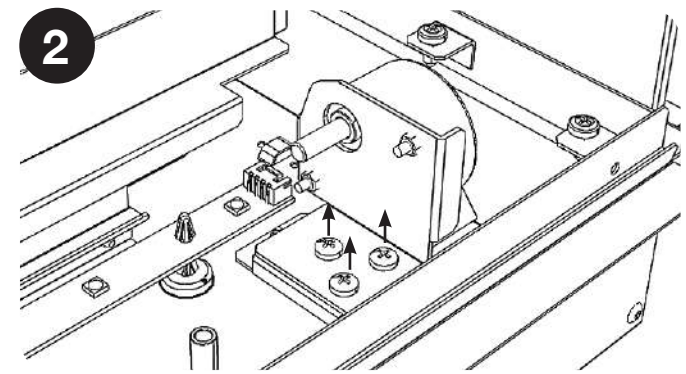
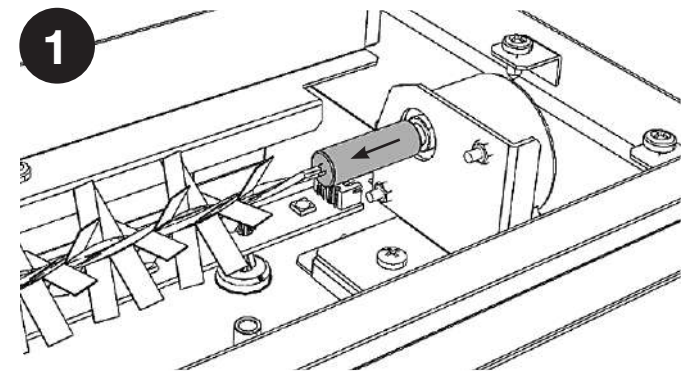
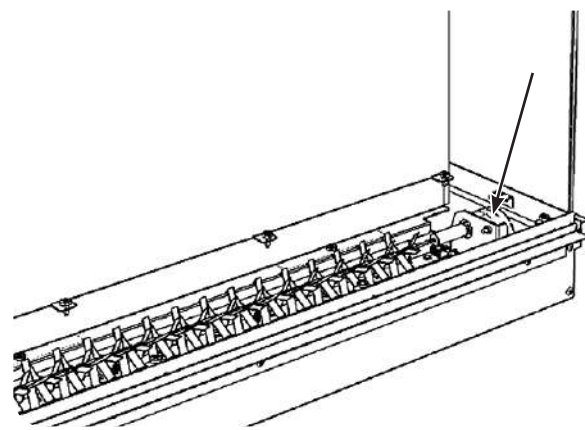
i EN: NOTE: When refitting the shield ensure that the lip curves down and towards the back. It will be necessary to lift the shield slightly to align the screws. Refit the screws from inside out.
FR: REMARQUE : Lors du remontage du bouclier, veillez à ce que la lèvre soit recourbée vers le bas et l'arrière. Il faudra soulever légèrement le bouclier pour aligner les vis. Remplacez les vis de l'intérieur vers l'extérieur.
NL: OPMERKING: Controleer bij het herplaatsen van het schild dat de klep naar beneden en richting de achterkant buigt. Het zal nodig zijn om de schild licht op te tillen om de schroeven gelijk te zetten. Herplaats de schroeven van binnen naar buiten.
IT: NOTA: Quando si rimonta lo scudo, assicurarsi che il bordo si incurvi verso il basso e verso la parte posteriore. Sarà necessario sollevare leggermente lo schermo per allineare le viti. Rimontare le viti dall'interno verso l'esterno.
NO: MERK: Når du setter skjermen på plass, sørg for at fliken bøyer seg nedover og mot baksiden. Det vil være nødvendig å løfte skjermen litt for å få skruene på linje. Sett på plass skruene fra innsiden og ut.
ES: NOTA: Al volver a colocar la protección, verifique que el reborde se curve hacia abajo y hacia atrás. Será necesario levantar un poco la protección para alinear los tornillos. Vuelva a colocar los tornillos de adentro hacia afuera.



11. Replacing the Fuel Bed Motor/ Remplacer le moteur du lit de combustible/ De brandstofbedmotor herplaatsen/
Sostituzione del motore del crogiolo di combustione/ Utskiifting av brennkammer-motoren/ Cambio del motor del lecho de combustible

i EN: Follow section 2 & 4 IT: Segui la sezione 2 & 4
FR: Suivez la section 2 & 4 NO: Følg avsnitt 2 & 4
NL: Volg sectie 2 & 4 ES: Siga la sección 2 & 4

i EN: Replace in reverse order, ensuring the cable ties are replaced.
FR: Remplacez dans l'ordre inverse, en veillant à ce que les serre-câbles soient remplacés.
NL: Plaats terug in omgekeerde volgorde en controleer of de kabelbinders zijn teruggeplaatst.
IT: Sostituire in ordine inverso, assicurandosi che le fascette siano sostituite.
NO: Skift ut i motsatt rekkefølge, og sørg for at kabelstroppene skiftes ut.
ES: Vuelva a instalar en orden inverso, verificando que se hayan colocado los sujetacables.



12. Replacing the Flame Effect Motor/ Remplacer le moteur des effets de flamme/ De vlammeffectenmotor terugplaatsen/
Sostituzione del motore effetti fiamma/ Utskiifting av flammeeffekt-motoren/ Cambio del motor de efectos de llama



EN: Follow section 2, 4, 7 & 8
FR: Suivez la section 2, 4, 7 & 8
NL: Volg sectie 2, 4, 7 & 8

IT: Segui la sezione 2, 4, 7 & 8
NO: Følg avsnitt 2, 4, 7 & 8
ES: Siga la sección 2, 4, 7 & 8



EN: Replace in reverse order, ensuring the cable ties are replaced.

FR: Remplacez dans l'ordre inverse, en veillant à ce que les serre-câbles soient remplacés.

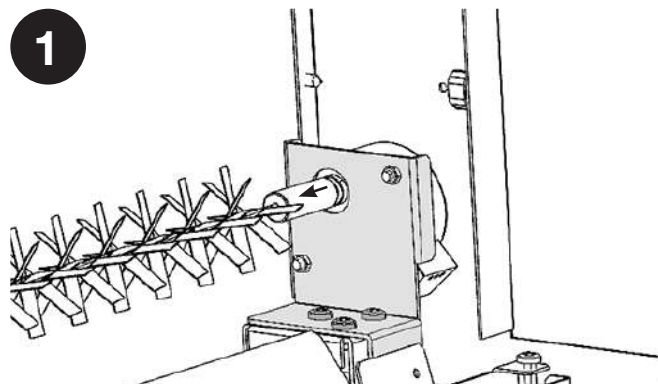
NL: Plaats terug in omgekeerde volgorde en controleer of de kabelbinders zijn teruggeplaatst.

IT: Sostituire in ordine inverso, assicurandosi che le fascette siano sostituite.

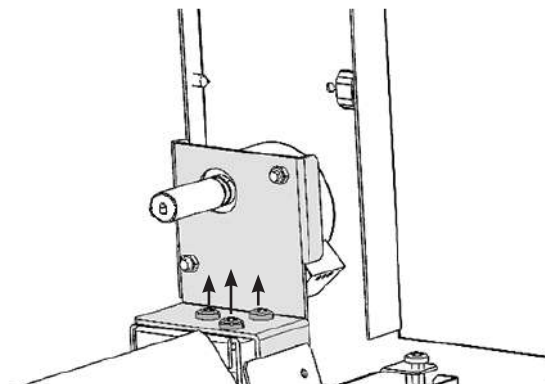
NO: Skift ut i motsatt rekkefølge, og sørg for at kabelstroppene skiftes ut.

ES: Vuelva a instalar en orden inverso, verificando que se hayan colocado los sujetacables.

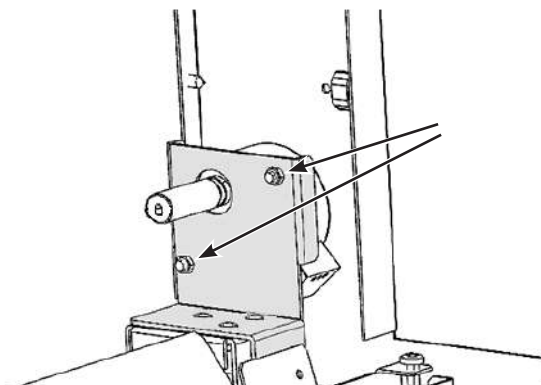
1



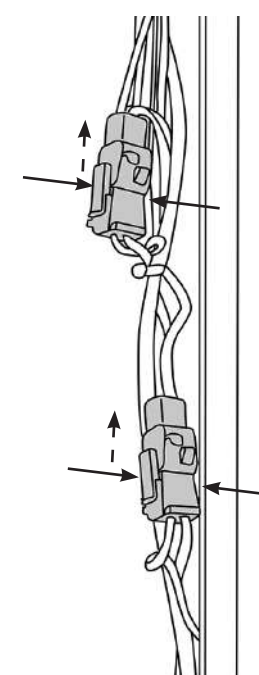
2



3



4

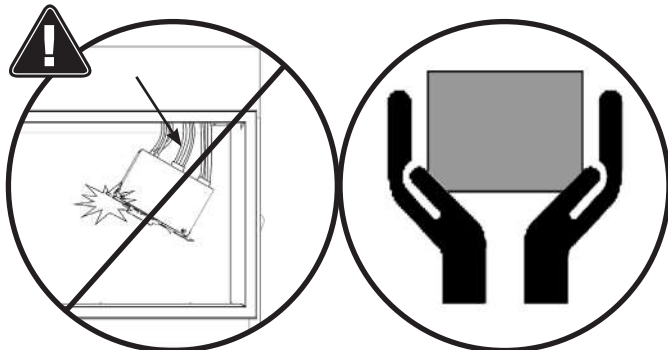
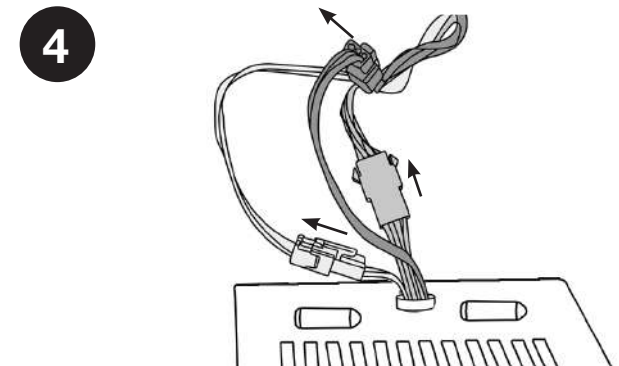
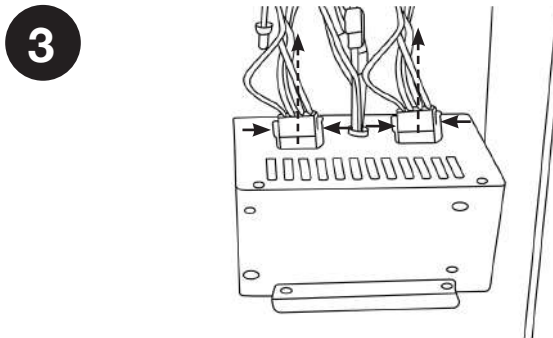
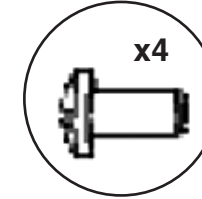
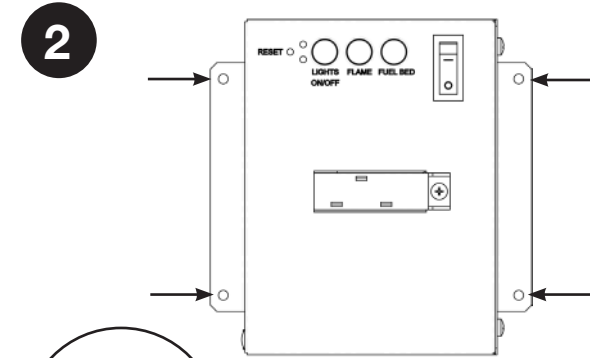
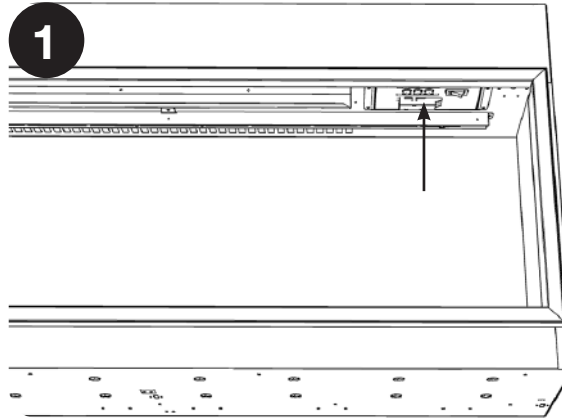


13. Replacing the Power Unit/ Remplacer l'unité d'alimentation/ Terugplaatsen van de voedingseenheid/
Rimettere l'alimentatore/ Utskifting av strømenhet/ Cambio de la unidad de alimentación

i EN: Follow section 2 & 3
FR: Suivez la section 2 & 3
NL: Volg sectie 2 & 3
IT: Segui la sezione 2 & 3
NO: Følg avsnitt 2 & 3
ES: Siga la sección 2 & 3

i EN: IMPORTANT: The Power Unit may vary slightly between models.
FR: IMPORTANT: L'unité d'alimentation peut varier légèrement d'un modèle à l'autre.
NL: BELANGRIJK: De voedingseenheid kan enigszins variëren tussen modellen.
IT: IMPORTANTE: L'unità di alimentazione può variare leggermente tra i modelli.
NO: VIKTIG: Strømenheten kan variere litt mellom modellene.
ES: IMPORTANTE: La unidad de alimentación puede variar ligeramente entre un modelo y otro.

i EN: IMPORTANT: The wiring loom may vary slightly between models.
FR: IMPORTANT: Le faisceau de câbles peut varier légèrement d'un modèle à l'autre.
NL: BELANGRIJK: De draadboom kan enigszins afwijken tussen de modellen.
IT: IMPORTANTE: Il telaio del cablaggio può variare leggermente tra i modelli.
NO: VIKTIG: Ledningsvingen kan variere litt mellom modellene.
ES: IMPORTANTE: El haz de conductores puede variar ligeramente entre un modelo y otro.



14. Replacing the Heater Assembly/ Remplacement De L'élément Chauffant/ Het Verwarmingselement Vervangen/
Sostituzione dell gruppo del riscaldatore/ Bytte Ut varmenheten/ Sustitución De La Pieza Calefactora



EN: Follow section 2
FR: Suivez la section 2
NL: Volg sectie 2

IT: Segui la sezione 2
NO: Følg avsnitt 2
ES: Siga la sección 2



EN: **IMPORTANT: PLEASE ENSURE NO WIRES ARE TRAPPED.**

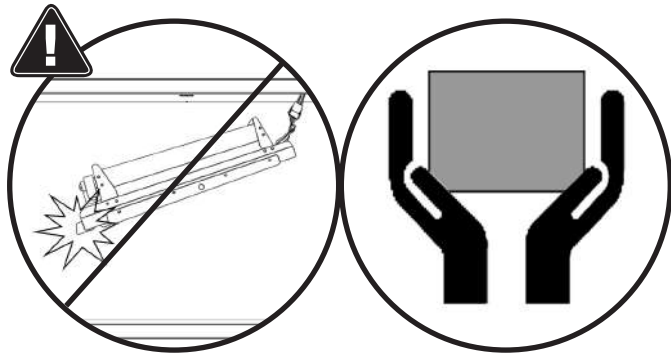
FR: **IMPORTANT: VEUILLEZ VOUS ASSURER QU'AUCUN CÂBLE N'EST COINCÉ.**

NL: **BELANGRIJK: ZORG ERVOOR DAT ER GEEN DRADEN VAST KOMEN TE ZITTEN.**

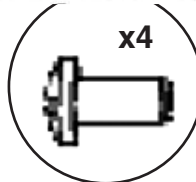
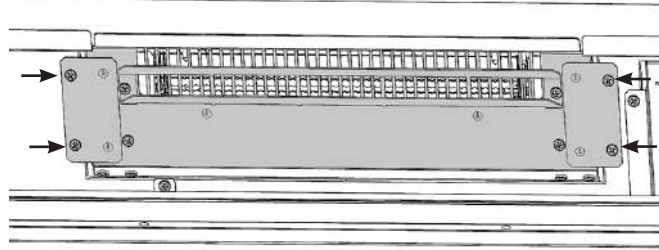
IT: **IMPORTANTE: ACCERTARSI CHE NON CI SIANO DEI FILI RIMASTI INTRAPPOLATI.**

NO: **VIKTIG: VENNLIGST SE TIL AT INGEN LEDNINGER ER FANGET.**

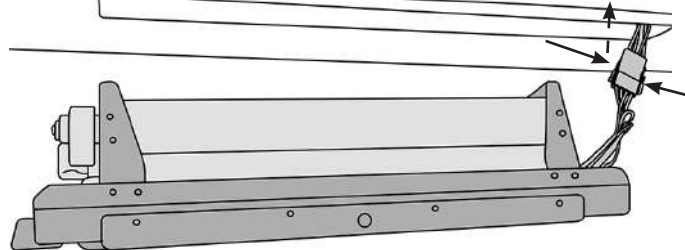
ES **IMPORTANTE: VERIFIQUE QUE NINGÚN CABLE QUEDE ATRAPADO.**



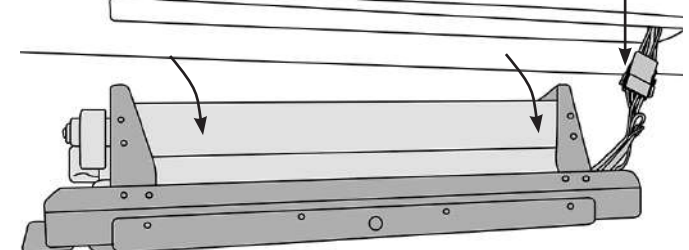
1



3



2



EN: Tilt.

FR: Incliner.

NL: Kantelen.

IT: Inclinare.

NO: Tilt.

ES: Inclinar.



EN: NOTE: When replacing the Heater Unit the back should be installed first, and a slight tipping motion will be required to clear the edge.

FR: REMARQUE : Lors du remontage de l'unité de chauffage, l'arrière doit d'abord être remonté, et il faudra légèrement le pencher pour libérer le bord.

NL: OPMERKING: Bij het herplaatsen van de verhittereenheid moet de achterkant eerst geïnstalleerd worden, en zal er een lichte kantelbeweging nodig zijn om bij de rand ruimte te maken.

IT: NOTA: Quando si sostituisce l'unità riscaldatore, è necessario installare prima la parte posteriore e sarà necessario dare dei leggeri colpetti per far entrare il bordo.

NO: MERK: Når du skifter ut varmeeheten skal baksiden monteres først, og en lett tippende bevegelse vil kreves for å klarere kanten.

ES: NOTA: Al volver a colocar el calefactor, instale primero la parte posterior; se necesitará una leve inclinación para separar el borde.

15. Pairing the Remote Control to the Appliance/ Appairer la télécommande avec l'appareil/ De afstandsbediening koppelen aan het toestel

Signal Code

The below operations should be carried out before coding when changing to a new remote or the unit cannot be controlled by the remote:

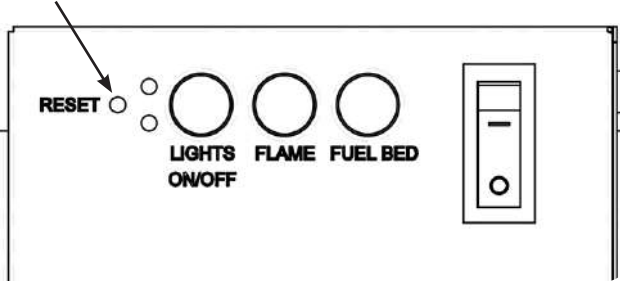
The reset button is located on the control panel located on the right-hand side of the viewing window.

- 15.1 Press the reset button for 3 seconds (a pen point may be needed) until 3 short beeps sound from the unit, release the button.

Within 10 seconds, press the  button on remote. The coding is finished when 1 long beep sounds from the unit.

The Power Unit may vary slightly between models.

Reset Button for Remote Control



Resetting of the remote control is necessary if the appliance operates wrongly due to external interference signal and the remote control is not in use.

Open the back cover of the Remote.

Press the Reset button for 3 seconds and reset the coding.




Code de signal

Les opérations ci-dessous doivent être menées avant le codage lors du remplacement d'une télécommande ou lorsque l'unité ne peut pas être contrôlée par la télécommande :

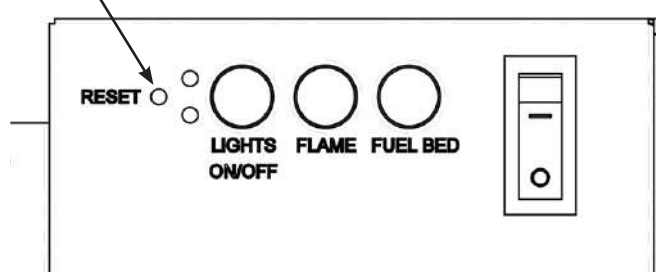
Le bouton de réinitialisation se trouve sur le panneau de commande à droite de la fenêtre de visualisation.

- 15.1 Appuyez sur le bouton de réinitialisation pendant 3 secondes (une pointe de stylo peut être nécessaire) l'unité émettra jusqu'à 3 bips courts, relâchez le bouton.

Au bout de 10 secondes, appuyez sur le bouton  de la télécommande. Le codage est terminé lorsque 1 long bip est émis par l'unité.

L'unité d'alimentation peut varier légèrement d'un modèle à l'autre.

Bouton Réinitialisation de la télécommande



Une réinitialisation de la télécommande est nécessaire si l'appareil fonctionne de manière anormale en raison d'interférences causées par un signal externe et si la télécommande n'est pas utilisée.

Ouvrez le couvercle arrière de la télécommande.

Appuyez sur le bouton de réinitialisation pendant 3 secondes et réinitialisez le codage.



Signaalcode

De handelingen hieronder moeten worden uitgevoerd vóór codering wanneer wordt overgegaan op een nieuwe afstandsbediening; anders zal de eenheid niet kunnen worden bestuurd door de afstandsbediening:

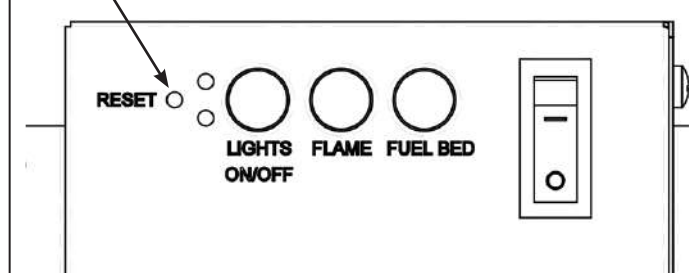
De resetknop bevindt zich op het bedieningspaneel aan de rechterkant op het kijkscherm.

- 15.1 Druk op de resetknop voor 3 seconden (wellicht m.b.v. een penpunt) totdat 3 korte piepen klinken vanuit de eenheid, en laat de knop vervolgens los.

Druk binnen 10 seconden op de  -knop op de afstandsbediening. De codering is voltooid wanneer 1 lange piep vanuit de eenheid klinkt.

De voedingseenheid kan enigszins variëren tussen modellen.

Knop voor afstandsbediening resetten



Het nodig is om de afstandsbediening te resetten als het toestel op onjuiste wijze werkt ten gevolge van een extern interferentiesignaal wanneer de afstandsbediening niet gebruikt wordt.

Open de achterkant van de afstandsbediening.

Houd de resetknop voor 3 seconden ingedrukt en reset de codering.




15. Accoppiamento telecomando apparecchio/ Sammenkoble fjernkontrollen/ Sincronización del mando a distancia al aparato

Codice di segnale

Le seguenti operazioni devono essere eseguite prima della codifica quando si passa a un nuovo telecomando o l'unità non può essere controllata dal telecomando:

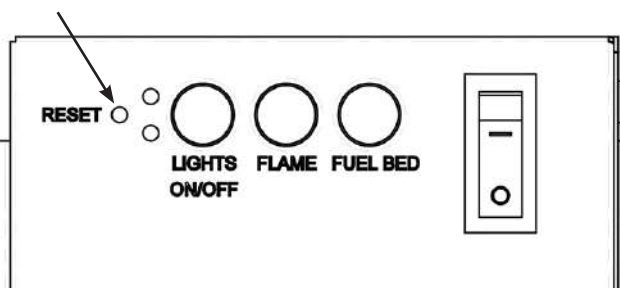
Il pulsante di ripristino si trova sul pannello di controllo situato sul lato destro della finestra di visualizzazione.

- 15.1 Premere il pulsante di ripristino per 3 secondi (potrebbe essere necessaria una penna a sfera) finché non si sentono 3 brevi bip dall'unità, rilasciare il pulsante.

Nel giro di 10 secondi, premere il pulsante  sul telecomando. La codifica termina quando viene emesso 1 lungo bip dall'unità.

L'unità di alimentazione può variare leggermente tra i modelli.

Pulsante di ripristino per telecomando



Il ripristino del telecomando è necessario se l'apparecchio funziona in modo errato a causa di un segnale di interferenza esterno e il telecomando non è in uso.

Aprire il coperchio posteriore del telecomando.

Premere il pulsante di ripristino per 3 secondi e ripristinare la codifica.




Signalkode

Den nedenstående operasjonen skal utføres før koding når du skifter til en ny fjernkontroll eller dersom enheten ikke kan styres av fjernkontrollen:

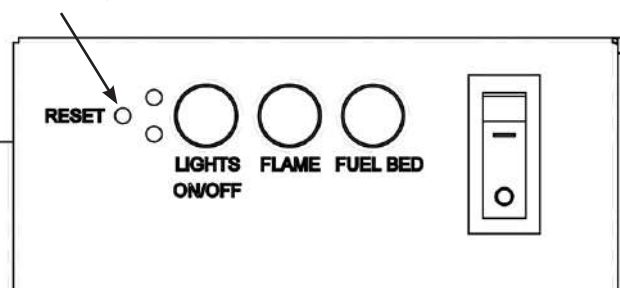
Tilbakestillings-knappen befinner seg på kontrollpanelet som er på høyre side av vinduet.

- 15.1 Trykk på tilbakestillings-knappen i 3 sekunder (det kan hende du trenger en pennespiss) inntil 3 korte pip kan høres fra enheten, slipp knappen.

Innen 10 sekunder, trykk på knappen  på fjernkontrollen. Kodingen er fullført når 1 lang pipelyd kan høres fra enheten.

Strømmenheten kan variere litt mellom modellene.

Tilbakestillingsknapp for fjernkontroll



Å tilbake stille fjernkontrollen kan være nødvendig dersom apparatet fungerer feilaktig på grunn av eksterne interferens-signaler og fjernkontrollen ikke er i bruk.

Åpne det bakre dekselet på fjernkontrollen.

Trykk på tilbakestillings-knappen i 3 sekunder og tilbake still kodingen.




Código de aviso

Las siguientes operaciones deben llevarse a cabo antes de codificar el nuevo mando a distancia, o la no se podrá controlar con el mando:

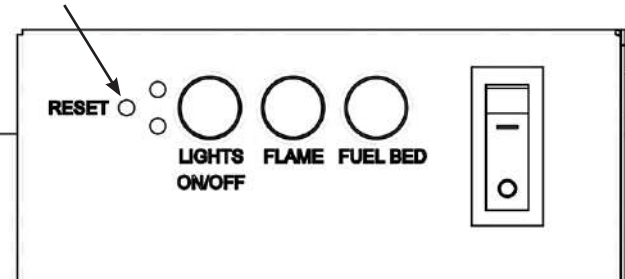
El botón de reinicio está situado en el panel de control a la derecha del visor, consulte el diagrama .

- 10.1 Pulse el botón de reinicio durante 3 segundos (puede que necesite la punta de un bolígrafo) hasta que suenen 3 pitidos cortos y luego suelte el botón.

En 10 segundos, presione el botón  en el mando a distancia. La codificación termina cuando suena un largo pitido.

La unidad de alimentación puede variar ligeramente entre un modelo y otro.

Reinicie el botón del mando a distancia



El reinicio del mando es necesario si el aparato funciona incorrectamente debido a una señal de interferencia externa y el mando a distancia no está en uso.

Abra la cubierta posterior del mando.

Pulse el botón de reinicio durante 3 segundos y reinicia la codificación.



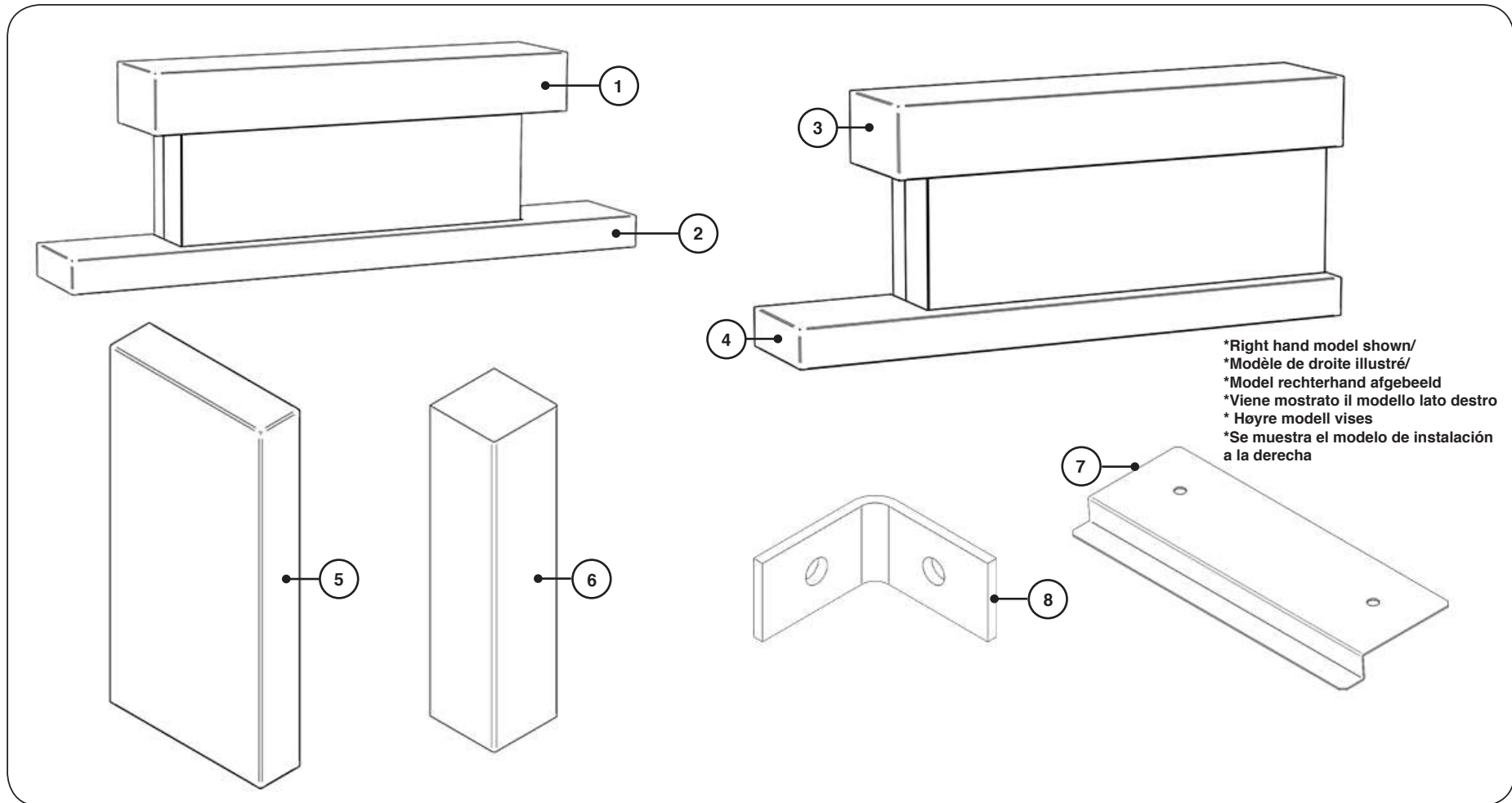
Wiring Diagram/ Schéma de câblage/ Bedradingschema/ Schema di cablaggio/ Koblingsdiagram/ Esquema De Cableado

No.	English	Français	Nederlands	Italiano	Norsk	Español
1	Top Light LED Board	Panneau à LED de la lampe supérieure	Bovenlicht LED-paneel	Scheda luminosa LED superiore	Øvre lys LED-kort	Panel superior de luces LED
2	Heater Unit	Unité de chauffage	Verhittereenheid	Unità riscaldatore	Varmeenhet	Calefactor
3	Fan Motor	Moteur du ventilateur	Ventilatoreenheid	Motore ventola	Viftemotor	Motor del ventilador
4	Heater Element	Élément chauffant	Verwarmingselement	Elemento del riscaldatore	Varmeelement	Elemento calefactor
5	Button Board	Panneau de boutons	Knoppenpaneel	Scheda pulsanti	Knapp-kort	Placa de botones
6	Receiver Board	Panneau du récepteur	Ontvangstpaneel	Ricevitore	Mottager-kort	Receptor
7	Flame Effect LED Board	Panneau à LED des effets de flamme	Vlameffect LED-paneel	Pannello di LED dell'effetto fiamma	Flamme-effekt LED-kort	Panel de luces LED del efecto de llama
8	Fuel Effect LED Board*	Panneau à LED des effets du lit de combustible	Brandstofbed LED-paneel	Pannello di LED dell'effetto combustibile	Brenseffekt LED-kort	Panel de luces LED del efecto de combustible
9	Plug Connector Incoming AC Supply: 230V 50Hz required	Connecteur de prise Alimentation CA; 230V 50Hz	Plugverbinding AC-voeding 230V 50Hz	Connettore della spina Alimentazione AC 230v 50Hz	Stikkontakt strømforsyning: 230v 50Hz	Conector Alimentación CA: 230v 50Hz
10	Flame Effect Motor	Flamme Moteur des effets	Vlam Effectenmotor	Motore della fiamma	Flamme Effektmotor	Motor del efecto de llama
11	P.C.B.	Circuit imprimé	P.C.B.	P.C.B.	Hovedkretskort	P.C.B.
12	On/Off	On/Off	Aan/Uit	On/Off	På/Av	Encendido/apagado
13	Thermostat	Thermostat	Thermostaat	Termostato	Termostat	Termostato
14	Fuel Effect Motor	Combustible Moteur des effets	Brandstof Effectenmotor	Combustibile Motore effetto	Brensel Effektmotor	Motor del efecto de combustible
15	Power Unit	Bloc d'alimentation	Stroomeenheid	Unità di alimentazione	Strømenhet	Unidad de alimentación

Colour Codes/ Codes couleur/ Kleurcodes/ Codici colore/ Fargekoder/ Códigos de colores						
	English	Français	Nederlands	Italiano	Norsk	Español
RD	RED	ROUGE	ROOD	ROSSO	RØD	ROJO
BU	BLUE	BLEU	BLAUW	BLU	BLÅ	AZUL
YE	YELLOW	JAUNE	GEEL	GIALLO	GUL	AMARILLO
WH	WHITE	BLANC	WIT	BIANCO	HVIT	BLANCO
BK	BLACK	NOIR	ZWART	NERO	SVART	NEGRO
BN	BROWN	MARRON	BRUIN	MARRONE	BRUN	MARRÓN
GNYE	GREEN & YELLOW	VERT & JAUNE	GROEN & GEEL	VERDE E GIALLO	GRØNN OG GUL	VERDE Y AMARILLO

EN: The number of LED Boards varies depending on the model
FR: Le nombre de chambres LED varie selon le modèle
NL: Het aantal LED-Borden afhankelijk van het model
IT: Il numero delle commissioni LED varia a seconda del modello
NO: Antallet LED Boards varierer avhengig av modell
ES: El número de consejos LED varia en función del modelo

Trento Modular Suite Packing Checklist (Optional Extra - 70W & 110W)/ Liste de vérification du paquet de la gamme modulaire Trento (Supplément en option - 70W & 110W)/ Trento Moduleconfigurate paklijst (optionele extra - 70W & 110W)/ Lista di controllo confezione Suite Modulare Trento (extra facoltativo - 70W & 110W)/ Trento Modular Suite pakkliste (Ekstraustyr - 70W & 110W)/ Lista de verificación de embalaje de la Suite Modular Trento (extra opcional: 70W y 110W)



- EN: The Trento Modular Suite kit will contain some of the following depending on the kit purchased.
 FR: Le kit de la gamme modulaire Trento contiendra certains des éléments suivants selon le kit acheté.
 NL: De Trento Moduleconfiguratiekits zal enig van het volgende bevatten afhankelijk van de aangeschafte kit.
 IT: Il kit Suite modulare Trento contiene alcune delle seguenti parti a seconda del kit acquistato.
 NO: Settet Trento Modular Suite vil inneholde noen av det følgende avhengig av settet som ble kjøpt.
 ES: El kit de la Suite Modular Trento tiene lo siguiente (en función del kit que haya adquirido).

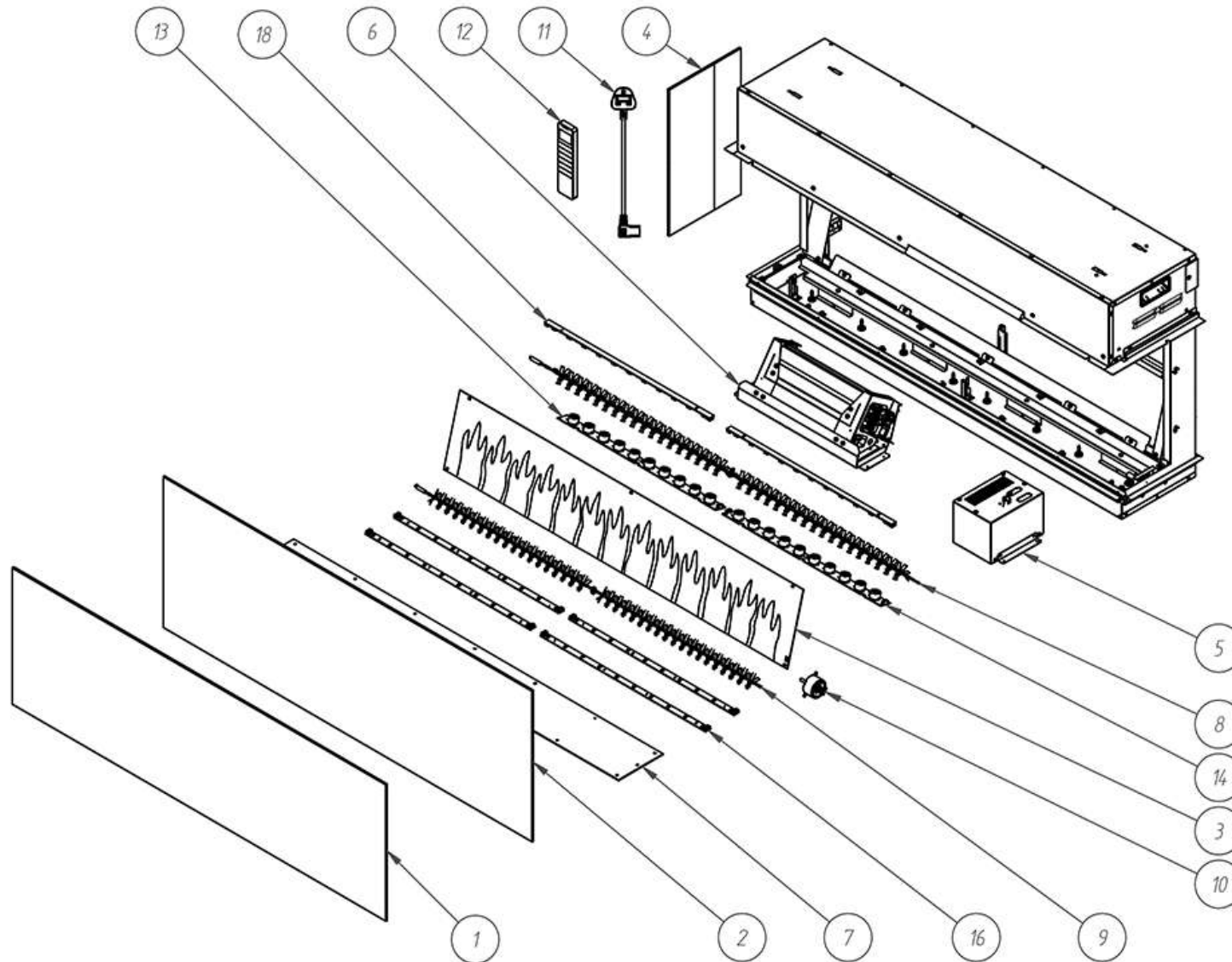
Trento Modular Suite Packing Checklist (Optional Extra - 70W & 110W)/ Liste de vérification du paquet de la gamme modulaire Trento (Supplément en option - 70W & 110W)/ Trento Moduleconfigureate paklijst (optionele extra - 70W & 110W)/ Lista di controllo confezione Suite Modulare Trento (extra facoltativo - 70W & 110W)/ Trento Modular Suite pakkliste (Ekstraustyr - 70W & 110W)/ Lista de verificación de embalaje de la Suite Modular Trento (extra opcional: 70W y 110W)

No.	English	Français	Nederlands	Italiano	Norsk	Español	Qty/ Qté/ Aantal/ Quantità
1	Upper Surround - Centre Installation	Habillage supérieur - Installation centrale	Bovenste rand - Centrale installatie	Motivo superiore - Installazione centrale	Øvre ramme - Midtre montering	Entorno superior - instalación central	1
2	Lower Surround - Centre Installation	Habillage inférieur - Installation centrale	Onderste rand - Centrale installatie	Motivo inferiore - Installazione centrale	Nedre ramme - Midtre montering	Entorno inferior - instalación central	1
3	Upper Surround - Offset Installation (LH / RH)	Habillage supérieur - Installation décalée (G / D)	Bovenste rand - Offset Installatie (LH/RH)	Motivo superiore - Installazione sfalsata (S/D)	Øvre ramm - Forskyvning montering (LH / RH)	Entorno superior - Instalación descentrada (a izquierda o derecha)	1
4	Lower Surround - Offset Installation (LH / RH)	Habillage inférieur - Installation décalée (G / D)	Onderste rand - Offset Installatie (LH / RH)	Motivo inferiore - Installazione sfalsata (S/D)	Nedre ramme - Forskyvning montering (LH / RH)	Entorno inferior - Instalación descentrada (a izquierda o derecha)	1
5	End Cap (Optional Extra)	Bouchon d'extrémité (Supplément en option)	Eindkap (optionele extra)	Tappo finale (extra opzionale)	Deksel (Ekstraustyr)	Tapa terminal (extra opcional)	1
6	Side Infill (Optional Extra)	Logement latéral (Supplément en option)	Opvulling zijkant (optionele extra)	Inserto laterale (extra opzionale)	Side-fortetning (Ekstraustyr)	Relleno lateral (extra opcional)	1
7	Upper Surround End Cap Bracket	Habillage supérieur - Support du bouchon d'extrémité	Bovenste rand - Beugel eindkap	Motivo superiore - Staffa tappo finale	Øvre ramm - Deksel-brakett	Entorno superior - Soporte para tapa terminal	1
8	Lower Surround End Cap Bracket	Habillage inférieur - Support du bouchon d'extrémité	Onderste rand - Beugel eindkap	Motivo inferiore - Staffa tappo finale	Nedre ramme - Deksel-brakett	Entorno inferior - Soporte para tapa terminal	1
9	Screws: Centre Installation (See table)	Vis: Installation centrale (Voir le tableau)	Schroeven: Centrale installatie (Zie tabel)	Viti: Installazione centrale (Vedere la tabella)	Skruer: Midtre montering (Se tabell)	Tornillos: instalación central (Consulte la tabla)	6
10	Screws: Offset Installation (See table)	Vis: Installation décalée (Voir le tableau)	Schroeven: Offset Installatie (Zie tabel)	Viti: Installazione sfalsata (Vedere la tabella)	Skruer: Forskyvning montering (Se tabell)	Tornillos: instalación descentrada (Consulte la tabla)	5

Screws/ Vis/ Schroeven/ Viti/ Skruer/ Tornillos

No.	English	Français	Nederlands	Italiano	Norsk	Español	Size/ Maat/ Dimensioni/ Størrelse/ Medidas	Qty/ Qté/ Aantal/ Quantità/ Cantidad
1	Upper Surround - Centre Installation Screw	Habillage supérieur - Vis d'installation centrale	Bovenste rand - Schroef centrale installatie	Motivo superiore - Vite installazione centrale	Øvre ramm - Midtre montering skruer	Entorno superior - Tornillo para instalación central	M6 x 16mm	4
2	Upper Surround - Offset Installation Screw	Habillage supérieur - Vis d'installation décalée	Bovenste rand - Schroef offset installatie	Motivo superiore - Vite installazione sfalsata	Øvre ramm - Forskyvning montering skruer	Entorno superior - Tornillo para instalación descentrada	M6 x 16mm	3
3	Lower Surround - Offset & Centre Installation Screw	Habillage inférieur - Vis d'installation décalée et centrale	Onderste rand - Schroef offset & centrale installatie	Motivo inferiore - Vite installazione centrale e sfalsata	Nedre ramme - Forskyvning og midtre montering skruer	Entorno inferior - Tornillo para instalación central y descentrada	M5 x 35mm	2
4	End Cap Installation Screw	Vis d'installation du bouchon d'extrémité	Schroef bevestiging eindkap	Vite installazione tappo finale	Deksel monteringskrue	Tornillo para instalación de la tapa terminal	M5 x 12mm	3
5	End Cap Installation Screw	Vis d'installation du bouchon d'extrémité	Schroef bevestiging eindkap	Vite installazione tappo finale	Deksel monteringskrue	Tornillo para instalación de la tapa terminal	M5 x 12mm	1

Spare Parts List/ Liste Des Principales Pièces De Rechange/ Lijst Standaard Reserve Onderdelen/
Listino Prezzi Dei Ricambi/ Reservedelsliste/ Relación De Repuestos



Spare Parts List/ Liste Des Principales Pièces De Rechange/ Lijst Standaard Reserve Onderdelen/
Listino Prezzi Dei Ricambi/ Reservedelsliste/ Relación De Repuestos

No.		55W			70W			75W			110W		
		Part Code	LED Board Identifier	Qty.	Part Code	LED Board Identifier	Qty.	Part Code	LED Board Identifier	Qty.	Part Code	LED Board Identifier	Qty.
1		CE2000		1	CE1889		1	CE2003		1	CE1890		1
2		CE2001		1	CE1895		1	CE2004		1	CE1896		1
3		PL0218		1	PL0193		1	PL0219		1	PL0194		1
4		CE2002		2	CE1901		2	CE2005		1	CE1901		2
5		EL0778		1	EL0710		1	EL0778		1	EL0710		1
6		EL0712		1	EL0712		1	EL0712		1	EL0712		1
7		PL0222		1	PL0199		1	PL0223		1	PL0200		1
8		EL0775		1	EL0698		1	EL0776		1	EL0699		1
9		EL0773		1	EL0704		1	EL0774		1	EL0705		1
10		EL0713		2	EL0713		2	EL0713		2	EL0713		2
11	UK	EL0714		1	EL0714		1	EL0714		1	EL0714		1
	EU	EL0542		1	EL0542		1	EL0542		1	EL0542		1
12		EL0678		1	EL0678		1	EL0678		1	EL0678		1
13		EL0777	RC07-213A	1	EL0723	RC07-180B	1	EL0723	RC07-180B	1	EL0720	RC07-167B	1
14		-		-	-		-	-		-	EL0721	RC07-191A	1
15		-		-	-		-	-		-			-
16		EL0726	RC07-125A	2	EL0724	RC07-181A	4	EL0724	RC07-181A	4	EL0725	RC07-169A	4
17		-		-	-		-	-		-			-
18		EL0716	RC07-168A	1	EL0717	RC07-179A	2	EL0717	RC07-179A	2	EL0716	RC07-168A	2
19		-		-	-		-	-		-			-
20		-		-	-		-	-		-			-

Information Requirement for Electric Local Space Heaters/ Informations à fournir pour un appareil de chauffage électrique localisé

Model		eReflex 55W	eReflex 70W	eReflex 75W	eReflex 110W
Heat Output Puissance calorifique	Nominal Heat Output - P_{nom} Puissance calorifique nominale - P_{nom}	2.0kW	2.0kW	2.0kW	2.0kW
	Minimum Heat Output - P_{min} Puissance calorifique minimale - P_{min}	1.0kW	1.0kW	1.0kW	1.0kW
	Maximum Continuous Heat Output - $P_{max, c}$ Sortie de chauffage constante maximum - $P_{max, c}$	2.0kW	2.0kW	2.0kW	2.0kW
Auxiliary Electricity Consumption Consommation électrique auxiliaire	At Nominal Heat Output - eI_{max} À la puissance calorifique nominale - eI_{max}	12.5W	12.5W	12.5W	12.5W
	At Minimum Heat Output - eI_{min} À la puissance calorifique minimale - eI_{min}	12.0W	12.0W	12.0W	12.0W
	In Standby Mode - eI_{sb} En mode veille - eI_{sb}	0.49W	0.49W	0.49W	0.49W

Type of heat input, for electric storage local space heaters only
Type d'apport de chaleur, uniquement pour les appareils de chauffage électriques localisés

Manual heat charge control, with integrated thermostat Commande manuelle de charge de chaleur avec thermostat intégré	No Non	No Non	No Non	No Non
Manual heat charge control with room and/or outdoor temperature feedback Commande manuelle de charge de chaleur avec retour de température de la pièce et/ou extérieure	No Non	No Non	No Non	No Non
Electronic heat charge control with room and/or outdoor temperature feedback Commande électronique de charge de chaleur avec retour de température de la pièce et/ou extérieure	No Non	No Non	No Non	No Non
Fan assisted heat output Puissance calorifique assistée par ventilateur	No Non	No Non	No Non	No Non

* Ikke aktuelt for Norge

Information Requirement for Electric Local Space Heaters/ Informations à fournir pour un appareil de chauffage électrique localisé

Type of heat output/room temperature control Type de puissance calorifique/régulation de température ambiante				
Single stage heat output and no room temperature control Puissance calorifique de niveau unique, pas de régulation de la température ambiante	No Non	No Non	No Non	No Non
Two or more manual stages, no room temperature control Au moins deux niveaux manuels, pas de régulation de la température ambiante	No Non	No Non	No Non	No Non
With mechanic thermostat room temperature control Avec régulation de la température ambiante par thermostat mécanique	No Non	No Non	No Non	No Non
With electronic room temperature control Avec régulation électronique de la température ambiante	No Non	No Non	No Non	No Non
Electronic room temperature control plus day timer Avec régulation électronique de la température ambiante plus minuteur jour	No Non	No Non	No Non	No Non
Electronic room temperature control plus week timer Avec régulation électronique de la température ambiante plus minuteur semaine	Yes Oui	Yes Oui	Yes Oui	Yes Oui

Other control options Autres options de commande				
Room temperature control, with presence detection Régulation de la température ambiante, avec détection de présence	No Non	No Non	No Non	No Non
Room temperature control, with open window detection Régulation de la température ambiante, avec détection de fenêtre ouverte	Yes Oui	Yes Oui	Yes Oui	Yes Oui
With distance control option Avec option de commande à distance	No Non	No Non	No Non	No Non
With adaptive start control Avec commande de mise en route adaptive	Yes Oui	Yes Oui	Yes Oui	Yes Oui
With working time limitation Avec restriction de durée d'utilisation	No Non	No Non	No Non	No Non
With black bulb sensor Avec capteur bulbe noir	No Non	No Non	No Non	No Non

Contact:	Gazco Ltd, Osprey Road, Sowton Industrial Estate, Exeter, EX2 7JG
-----------------	---

Informatie-eisen voor elektrische toestellen voor lokale ruimteverwarming/ Informazioni obbligatorie per gli apparecchi per il riscaldamento d'ambiente locale elettrici/
 Requisitos de información que deben cumplir los aparatos de calefacción local eléctricos

Model Modello		eReflex 55W	eReflex 70W	eReflex 75W	eReflex 110W
Warmteafgifte Potenza termica Potencia calorífica	Nominale warmteafgifte - P_{nom} Potenza termica nominale - P_{nom} Potencia calorífica nominal - P_{nom}	2.0kW	2.0kW	2.0kW	2.0kW
	Minimale warmteafgifte - P_{min} Potenza termica minima (indicativa) - P_{min} Potencia calorífica mínima (indicativa) - P_{min}	1.0kW	1.0kW	1.0kW	1.0kW
	Maximale continue warmteproductie - $P_{max, c}$ Massima potenza termica continua - $P_{max, c}$ A potencia calorífica nominal - eI_{max}	2.0kW	2.0kW	2.0kW	2.0kW
Aanvullend elektrischeisverbruik Consumo auxiliar de energía eléctrica Consumo auxiliar de electricidad	Bij nominale warmteafgifte - eI_{max} Alla potenza termica nominale - eI_{max} A potencia calorífica nominal - eI_{max}	12.5W	12.5W	12.5W	12.5W
	Bij minimale warmteafgifte - eI_{min} Alla potenza termica minima - eI_{min} A potencia calorífica mínima - eI_{min}	12.0W	12.0W	12.0W	12.0W
	In stand-by-modus - eI_{sb} In modo stand-by - eI_{sb} En modo de espera - eI_{sb}	0.49W	0.49W	0.49W	0.49W

Type warmte-input, uitsluitend voor elektrische warmteopslagtoestellen
Tipo di potenza termica, solo per gli apparecchi per il riscaldamento d'ambiente locale elettrici ad accumulo
Tipo de aportación de calor, únicamente para los aparatos de calefacción local eléctricos de acumulación

Handmatige sturing van de warmteopslag, met geïntegreerde thermostaat Controllo manuale del carico termico, con termostato integrato Control manual de la carga de calor, con termostato integrado	Nee No	Nee No	Nee No	Nee No
Handmatige sturing van de warmteopslag, met kamer- en/of buitentemperatuurfeedback Controllo manuale del carico termico con riscontro della temperatura ambiente e/o esterna Control manual de la carga de calor con respuesta a la temperatura interior o exterior	Nee No	Nee No	Nee No	Nee No
Elektronische sturing van de warmteopslag, met kamer- en/of buitentemperatuurfeedback Controllo elettronico del carico termico con riscontro della temperatura ambiente e/o esterna Control electrónico de la carga de calor con respuesta a la temperatura interior o exterior	Nee No	Nee No	Nee No	Nee No
Door een ventilator bijgestane warmteafgifte Potenza termica assistita da ventilatore Potencia calorífica asistida por ventiladores	Nee No	Nee No	Nee No	Nee No

* Ikke aktuelt for Norge

**Informatie-eisen voor elektrische toestellen voor lokale ruimteverwarming/ Informazioni obbligatorie per gli apparecchi per il riscaldamento d'ambiente locale elettrici/
Requisitos de información que deben cumplir los aparatos de calefacción local eléctricos**

Type warmteafgifte/sturing kamertemperatuur/ Tipo di potenza termica/controllo della temperatura ambiente/ Tipo de control de potencia calorífica/de temperatura interior				
Eentrapswarmteafgifte, geen sturing van de kamertemperatuur Potenza termica a fase unica senza controllo della temperatura ambiente Potencia calorífica de un solo nivel, sin control de temperatura interior	Nee No No	Nee No No	Nee No No	Nee No No
Twee of meer handmatig in te stellen trappen, geen sturing van de kamertemperatuur Due o più fasi manuali senza controllo della temperatura ambiente Dos o más niveles manuales, sin control de temperatura interior	Nee No No	Nee No No	Nee No No	Nee No No
Met mechanische sturing van de kamertemperatuur door thermostaat Con controllo della temperatura ambiente tramite termostato meccanico Con control de temperatura interior mediante termostato mecánico	Nee No No	Nee No No	Nee No No	Nee No No
Met elektronische sturing van de kamertemperatuur Con controllo elettronico della temperatura ambiente Con control electrónico de temperatura interior	Nee No No	Nee No No	Nee No No	Nee No No
Met elektronische sturing van de kamertemperatuur plus dag-tijdschakelaar Con controllo elettronico della temperatura ambiente e temporizzatore giornaliero Control electrónico de temperatura interior y temporizador diario	Nee No No	Nee No No	Nee No No	Nee No No
Met elektronische sturing van de kamertemperatuur plus week-tijdschakelaar Con controllo elettronico della temperatura ambiente e temporizzatore settimanale Control electrónico de temperatura interior y temporizador semanal	Ja Sì Sí	Ja Sì Sí	Ja Sì Sí	Ja Sì Sí

Andere sturingsopties/ Altre opzioni di controllo/ Otras opciones de control				
Sturing van de kamertemperatuur, met aanwezigheidsdetectie Controllo della temperatura ambiente con rilevamento di presenza Control de temperatura interior con detección de presencia	Nee No No	Nee No No	Nee No No	Nee No No
Sturing van de kamertemperatuur, met openraamdetectie Controllo della temperatura ambiente con rilevamento di finestre aperte Control de temperatura interior con detección de ventanas abiertas	Ja Sì Sí	Ja Sì Sí	Ja Sì Sí	Ja Sì Sí
Met de optie van afstandsbediening Con opzione di controllo a distanza Con opción de control a distancia	Nee No No	Nee No No	Nee No No	Nee No No
Met adaptieve sturing van de start Con controllo di avviamento adattabile Con control de puesta en marcha adaptable	Ja Sì Sí	Ja Sì Sí	Ja Sì Sí	Ja Sì Sí
Met beperking van de werkingstijd Con limitazione del tempo di funzionamento Con limitación de tiempo de funcionamiento	Nee No No	Nee No No	Nee No No	Nee No No
Met black-bulbsensor Con termometro a globo nero Con sensor de lámpara negra	Nee No No	Nee No No	Nee No No	Nee No No

Contact/ Contatti:

Gazco Ltd, Osprey Road, Sowton Industrial Estate, Exeter, EX2 7JG

* Ikke aktuelt for Norge

Gazco Limited, Osprey Road, Sowton Industrial Estate, Exeter, Devon, England EX2 7JG

Technical Customer Services (01392) 261950 Fax: (01392) 261951

E-mail: technicalservices@gazco.com

A member of the Stovax Group
Translated from English Issue 7

