

GO ECO
STOVE RANGE



GO ECO
BAKECHEF
COOKING STOVE



FREESTANDING STOVES, GLAMPING STOVES,
COOKING STOVES

Charlton & Jenrick^{LTD}



EST. 1986

— GO ECO — STOVE RANGE



VISIT THE
CLEARSKIES
< WEBSITE

INTRODUCING THE GO ECO STOVE RANGE

At Charlton & Jenrick we continue to plough considerable investment into developing new additions to our fire and fireplace product ranges and we now offer more choice and higher performance than ever before – all fully CE/UKCA approved and clearSkies certified beyond the 2022 Ecodesign emissions and efficiency standards. Go Eco Stoves are amongst the very best value for money appliances that carry over our own high-end technical features at an affordable price-point.

Wood burners and multi-fuel stoves have become an effective, economical and low-carbon choice with an exciting visual flame picture that old designs simply cannot offer. Alongside this is the pan-European Ecodesign 2022 drive for improvement of environmental air quality which we have responded to with vigour. Beyond Ecodesign, the clearSkies certification (<https://www.clearskiesmark.org/>) leads the way and C&J's entire stove portfolio are now officially rated, listed and certified by this government recognised scheme.

Ecodesign stoves can reduce particulate emissions (smoke particles) to 90% less than an open fire and 80% lower than an old stove. Replacing open fires or old stoves is a positive air quality benefit and you can choose any of our stoves with total confidence that they are amongst the top ranks of low emitting appliances in the world. There is to be no 'stove ban' in the UK and new, cleaner burning wood burners are here to stay and contribute to the low carbon transition taking place.

Go Eco stoves use advanced, patented firebox combustion technology developed exclusively in our own UK laboratory resulting in cleaner burning and highly efficient stoves. Fuel efficiency is state-of-the art and our air wash and tertiary air profiling technology are an integral part of a low emission combustion process. Every model in the range easily achieves DEFRA exemption for burning seasoned wood logs in smoke control areas and goes considerably beyond all Ecodesign 2022 emissions criteria. This is not the work of a moment but requires years of careful design and development put into each appliance from conception through production to delivery of the final units.

Whether it is to be fuelled by wood, gas, electricity or smokeless briquettes, each unique stove design is constructed from our own UK developed 3D CAD designs using CNC laser profiling and steel production processes and the finest materials. Every product utilises quality cast iron, stainless steel, mild steel, ceramic glass, hard wearing refractories and high-grade heat resistant coatings to give you robust and durable heating appliances to rely on. All C&J Fires and stoves are designed and manufactured under independently certified ISO 9001 quality and ISO 14001 environmental management systems.

Go Eco stoves are designed and engineered to be extremely efficient and environmentally friendly. To realise the full potential and low emissions from our stoves we only recommend using top-quality fuel. The government recognised Woodsure (www.woodsurre.co.uk) Ready To Burn scheme ensures that consumers are able to obtain reliable supplies of quality firewood logs nationally.

Charlton & Jenrick's base here in Telford is a stone's throw away from the birthplace of the industrial revolution at Coalbrookdale and the World Heritage site of Ironbridge where the origins of modern industry were forged. It is a source of considerable satisfaction for us to be a small part of the great British industrial story - designing, developing and producing wood burning stoves for the comfort and warmth of UK households.

Peter Mintoft
Managing Director



GO ECO 3 YEAR WARRANTY

Get peace of mind with all Go Eco solid-fuel stoves with 12-month parts and labour warranty, with the option of extending the parts warranty for a further two years if you fill in your warranty registration online within one month of purchasing your product. Full details, terms & conditions can be found on our website www.charltonandjenrick.co.uk



LOOK OUT FOR QR CODES ON PRODUCT PAGES TO SEE PRODUCT VIDEOS



CONTENTS

PAGE 4

MAXIMISING THE POTENTIAL OF YOUR STOVE

PAGE 6

GO ECO 5KW & 5KW WIDE STOVES



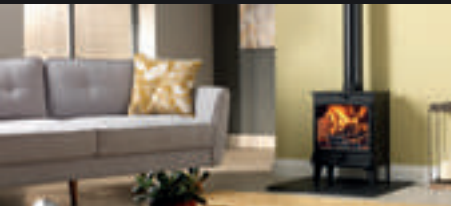
PAGE 8

GO ECO PLUS 5KW & 5KW WIDE STOVES



PAGE 10

GO ECO HIGH LINE 5KW & 5KW WIDE STOVES



PAGE 12

GO ECO EXCEL MODERN DOOR STOVE



PAGE 14

GO ECO EXCEL TRADITIONAL DOOR STOVE



PAGE 16

GO ECO EXCEL SCENIC DOOR STOVE



PAGE 18

GO ECO ADVENTURER⁵ GLAMPING STOVE



PAGE 24

GO ECO BAKECHEF 5KW COOKING STOVE



PAGE 26

DIMENSIONS & SPECIFICATIONS

PAGE 30

COMPANY AND PRODUCT ACCREDITATIONS

MAXIMISING THE POTENTIAL OF YOUR STOVE

REFUELLING YOUR FIRE

Place the logs into the centre of the fire, away from the rear, sides, and glass. This helps keep the glass and liners clean and enhances the flame picture as the fire is centralised.

Use your stove gloves when operating the door handle, air controls of your stove, and placing logs into the fire. The gloves are designed to protect your hand for long enough to carefully place the log and avoid bumping the back and side bricks.



THE RIGHT TYPE OF WOOD

The best fuel for stoves is hardwood logs with no more than 20% moisture content for the best burn.

Kiln dried or seasoned work equally as well, but they must be seasoned long enough to achieve low moisture levels.

NEGATIVES OF SOLID FUEL

- Potential to crystallise the glass
- Damaging the stove through corrosion
- Replacement spares will be required to be purchased more often
- Potential liner damage
- Shortens the life expectancy of the appliance.

WHY DRY WOOD?

Dry wood produces less smoke and more heat, and so is much cleaner and better for the environment.

Having a too high-water percentage will increase pollution, produce a poor level of heat output and cause tar to form in your chimney.



FUELS NOT TO USE

- House Coal
- Painted or Preserved Wood
- Wet Wood
- Pallet Wood
- Newspaper and Card

STORING YOUR FIREWOOD

You should store wood in a well vented, dry area that is away from the rain, this is because rain will eventually rot the wood.

You should always stack your firewood because this will help promote air circulation.

You must avoid storing firewood on a soil floor if outside, as the soil will rot the wood.

If you are cutting your own logs for firewood, store them in a dry area, and allow them to dry for at least 12 months, but for wood like oak this can be as long as 24 months.

HOW MUCH DO I NEED?

If you are going to use your stove on most evenings and at weekends from October to April, then 3 to 4 cubic meters per year is typical for most UK households.



MAINTAINING YOUR STOVE

Cleaning the Glass on Your Stove

Use a specialist stove glass cleaner or newspaper dipped in vinegar to clean your glass. Never use an abrasive cloth or substance to clean the glass.

Having Your Chimney Swept

You should have your chimney swept on a regular basis during the months it is in use. Having your chimney swept on a regular basis can help reduce acid corrosion.

Clean Your Stove Accessories

It's not all just about your stove. Your various stove accessories also take a bit of bashing during regular use. Make sure to clean them to keep them in good working order.



Scan the QR code to see more in our complete stove guide ►



— GO ECO — STOVE RANGE

GO ECO STOVES 5KW & 5KW WIDE

The steel door construction method creates clean, graceful lines making these stoves look attractive even when they are not alight. The Go Eco 5kW stove range is available in both traditional and wide versions, with both blending elegant balance with substantial presence.

Low emission combustion systems such as our patented tertiary air and airwash features make these stoves perfect for town or country living, achieving the latest environmental certifications including ClearSkies Level 5. These stoves feature a laser profiled, seam welded steel construction ensuring quality and durability. State-of-the-art firebox combustion technology assures this stove achieves up to 82.5% efficiency, providing a substantial amount of heat.

Key Features

- Full multi-fuel capability as standard
- Up to 82.5% efficiency
- Extra powerful air wash system
- Patented tertiary air system
- SIA Ecodesign 2022 certified
- DEFRA Exempt for burning wood in smokeless zones
- ClearSkies Level 5 certified – ultra clean burning
- Laser profiled and fully seam welded steel construction
- 280mm (11") slimline body depth as standard
- Static Multi fuel bar Grate
- Corrosion resistant steel ash pan
- Firebrick refractory liners for longevity
- Superimposed hearth compatible
- Top & Rear flue connection.



Go Eco 5kW Wide Stove shown in Beckford Limestone Surround



Go Eco 5kW Stove shown in Inglenook



— GO ECO — STOVE RANGE

GO ECO PLUS STOVES 5KW & 5KW WIDE

The Go Eco Plus Stove range features cast iron door construction, increasing the amount of detail possible creating a distinctive and purposeful profile. The Go Eco Plus range is available in both traditional and wide versions, enhancing the visual impact of the stove.

Our patented tertiary air system contributes to achieving the SIA EcoDesign 2022 certification, SIA Defra Exempt, and ClearSkies Level 5 certifications, all in a characterful and cost-effective stove. Regardless of the version, the proportions mean that it looks fabulous in an inglenook, a large fireplace or freestanding. This highly efficient stove achieves up to 82.5% efficiency from a 5kW heat output, keeping you warm whatever the weather.

Key Features

- Full multi-fuel capability as standard
- Up to 82.5% efficiency
- Extra powerful air wash system
- Patented tertiary air system
- SIA Ecodesign 2022 certified
- DEFRA Exempt for burning wood in smokeless zones
- ClearSkies Level 5 certified – ultra clean burning
- Laser profiled and fully seam welded steel construction
- Cast door construction
- 280mm (11") slimline body depth as standard
- Static Multi fuel bar Grate
- Corrosion resistant steel ash pan
- Firebrick refractory liners for longevity
- Superimposed hearth compatible
- Top & Rear flue connection.





Go Eco 5kW Plus Wide Stove shown in Inglenook



Go Eco 5kW Plus Stove shown in Inglenook

GO ECO STOVE RANGE



GO ECO HIGH LINE STOVES 5KW & 5KW WIDE

Instantly catching the eye, these stoves will add style and warmth wherever they are installed. The Go Eco High Line range is available in both traditional and wide versions, enhancing the presence of the stove.

The Go Eco High Line range features taller legs, increasing the height and complementing the form of the stove to create a distinctive and purposeful profile. These stoves are perfectly suited to modern environments, creating a centrepiece capable of heating a large open plan space. Our extremely powerful air wash system contributes to achieving the highest possible environmental certifications; SIA EcoDesign 2022 certification, SIA Defra Exempt, and ClearSkies Level 5.

Key Features

- Full multi-fuel capability as standard
- Up to 82.5% efficiency
- Extra powerful air wash system
- Patented tertiary air system
- SIA Ecodesign 2022 certified
- DEFRA Exempt for burning wood in smokeless zones
- ClearSkies Level 5 certified – ultra clean burning
- Laser profiled and fully seam welded steel construction
- Cast door construction
- 280mm (11") slimline body depth as standard
- Static Multi fuel bar Grate
- Corrosion resistant steel ash pan
- Firebrick refractory liners for longevity
- Superimposed hearth compatible
- Top & Rear flue connection.



Go Eco 5kW High Line Plus Stove (Cast Door) shown freestanding



Go Eco 5kW High Line Plus Wide Stove (Cast Door) shown freestanding





Go Eco 5kW Modern Door Excel Stove shown freestanding



GO ECO STOVE RANGE



GO ECO EXCEL STOVES 5KW MODERN DOOR

The Go Eco Excel with the modern door blends elegant balance with substantial presence. Minimalist in design but bold in statement, this stove is the perfect complement for any modern home.

This stove benefits from our state-of-the-art firebox combustion technology for Ecodesign 2022 certified and DEFRA exempt heating as standard. This stove's proportions mean that it looks great in an inglenook, a large fireplace or freestanding against a wall.

Key Features

- Full multi-fuel capability as standard
- Up to 81.9% efficiency
- Extra powerful air wash system
- Patented tertiary air system
- SIA Ecodesign 2022 certified
- DEFRA Exempt for burning wood in smokeless zones
- ClearSkies Level 5 certified – ultra clean burning
- Laser profiled and fully seam welded room sealed construction for modern houses
- Cast door construction
- 300mm (12") slimline body depth as standard
- Static Multi fuel bar Grate
- Corrosion resistant steel ash pan
- Firebrick refractory liners for longevity
- Superimposed hearth compatible
- Top & Rear flue connection
- External air compatible as standard with external air connection kit available as an option
- Double slide controls for full control of the burn.

— GO ECO — STOVE RANGE



GO ECO EXCEL STOVES 5KW TRADITIONAL DOOR

The Go Eco Excel with the traditional door design is an ideal addition to any room. With its classical detailing and handsome appearance, this stove will look just as good in a farmhouse inglenook as it does in a newly built town house.

This stove features the same technology as our Fireline models, helping to produce 5kW of heat, with an efficiency of 81.9%. This technology also ensures that meeting the Ecodesign 2022 standards, Defra exemption and achieving the clearSkies level 5 certification were formalities.

Key Features

- Full multi-fuel capability as standard
- Up to 81.9% efficiency
- Extra powerful air wash system
- Patented tertiary air system
- SIA Ecodesign 2022 certified
- DEFRA Exempt for burning wood in smokeless zones
- ClearSkies Level 5 certified – ultra clean burning
- Laser profiled and fully seam welded room sealed construction for modern houses
- Cast door construction
- 300mm (12") slimline body depth as standard
- Static Multi fuel bar Grate
- Corrosion resistant steel ash pan
- Firebrick refractory liners for longevity
- Superimposed hearth compatible
- Top & Rear flue connection
- External air compatible as standard with external air connection kit available as an option
- Double slide controls for full control of the burn.





Go Eco 5kW Traditional Door Excel Stove shown in Inglenook

— GO ECO — STOVE RANGE



GO ECO EXCEL STOVES 5KW SCENIC DOOR

A new addition to the highly successful Go Eco Excel line-up, the Go Eco Excel with the scenic door is a timeless addition to any room. The ultra-wide viewing window gives a beautifully clear view of the flames within, with our powerful air wash system keeping the glass clean.

Meeting all current environmental certifications, including the SIA Ecodesign, DEFRA Exemption for burning in smoke free areas, and the ClearSkies Level 5 certification for a stove that is future proof for years to come. Furthermore, producing 5kW of heat ensures that this stove will keep you warm no matter what the weather brings.

Key Features

- Full multi-fuel capability as standard
- Up to 81.9% efficiency
- Extra powerful air wash system
- Patented tertiary air system
- Clearskies Level 5 certified – ultra clean burning
- SIA Ecodesign 2022 certified and DEFRA Exempt for burning wood in smokeless zones
- Laser profiled and fully seam welded room sealed construction for modern houses
- Cast door construction
- 300mm (12") slimline body depth as standard
- Static Multi fuel bar Grate
- Corrosion resistant steel ash pan
- Firebrick refractory liners for longevity
- Superimposed hearth compatible
- Top & Rear flue connection
- External air compatible as standard with external air connection kit available as an option
- Double slide controls for full control of the burn.





Go Eco 5kW Scenic Door Excel Stove shown freestanding



GO ECO ADVENTURER⁵ GLAMPING STOVE

The ultimate in warmth, character, ambience, practicality and versatility – Adventurer 5 really hits the mark.

A fresh design by an experienced team, this highly specified little stove provides much more than others can – both function and styling. DEFRA exempt for smokeless zones and already approved for use beyond 2022 Ecodesign, standard features include large-size cooking top, multi-fuel equipment, powerful air-washed glass window and durable stainless-steel fittings, trims and fixings. Versatile heat shielding packages (see over) ensure that every application is catered for whilst a host of optional accessories will further personalise it to meet the needs of each individual.

Key Features

- Attractive, characterful design enhances any living space
- Extra-large air-washed flame-viewing window
- Standard stainless-steel cooking top accommodates pans up to 28-30cm
- 86% efficiency, A+ for best in class performance
- Stainless-steel handle, trims, ashpan and all fixings for durability and long service
- Separate simple air control sliders for air wash and primary under-grate air
- Multi-fuel equipped as standard
- DEFRA exempt for smoke control areas as standard
- SIA Ecodesign 2022 compliance for future-proof peace of mind
- ClearSkies Level 5 certified – ultra clean burning
- Optional oven accepts 22cm casserole or up to 27 x 22cm baking tins
- Unrivalled heat shielding options for multiple installation configurations.



Go Eco Adventurer 5 Glamping Stove shown with fitted heatshield, marine hearth and right-hand warming shelf in a narrowboat



Go Eco Adventurer 5 Glamping Stove shown with freestanding heatshield, fiddle rail and left-hand warming shelf in a yurt



Go Eco Adventurer 5 Glamping Stove shown with various optional extras



A VERSATILE STOVE WITH COUNTLESS OPTIONS

GO ECO ADVENTURER⁵ with fitted heatshield package

Fitted Heatshield Package

Attached directly to the stove body itself, the Adventurer fitted heatshield package reduces clearance to combustible materials to 70mm at the sides and 75mm at the rear. Convenient, slim and practical, in combination with the marine hearth (see over) the system lends itself to narrowboat applications (BS8511) and other situations where space is at an absolute premium.



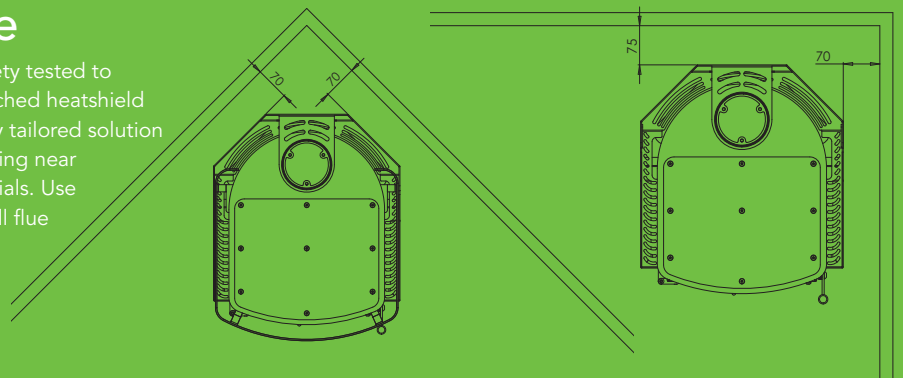
Go Eco Adventurer 5 Glamping Stove shown with fitted heatshield, marine hearth, oven with steel door and right-hand warming shelf in a narrowboat



Fitted heatshield

Safezone

Independently safety tested to EN13240, the attached heatshield package is a tightly tailored solution for simple stove siting near combustible materials. Use supported twin-wall flue above the 100mm connecting section provided as an option.



Go Eco Adventurer 5 Glamping Stove shown with fitted heatshield and various optional extras

GO ECO ADVENTURER⁵ with freestanding heatshield package




Go Eco Adventurer 5 Glamping Stove shown with freestanding heatshield, fiddle rail and left-hand warming shelf in a Yurt

Freestanding Heatshield Package

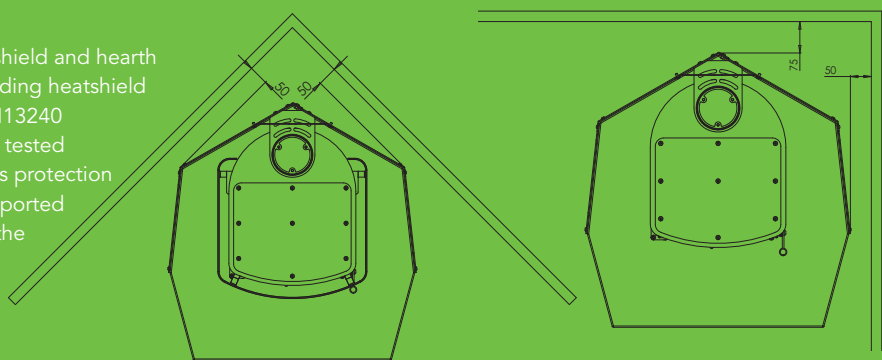
The Adventurer 5 freestanding heatshield package is designed to provide a complete solution, including hearth, for stable installations into combustible surroundings. The steel sides may be safely sited as close as 50mm to combustible wall materials and the stove firebox simply fixed down to the hearth plate. This system lends itself to camping pods, tents, yurts, cabins and huts of all kinds.





Safezone

A full surround, heatshield and hearth solution, the freestanding heatshield package provides EN13240 independently safety tested combustible materials protection and stability. Use supported twin-wall flue above the 100mm connecting section provided as an option.



Freestanding heatshield



Go Eco Adventurer 5 Glamping Stove shown with freestanding heatshield and various optional extras

Adaptive personalisation of the Adventurer 5 is really easy with our range of specially designed and interchangeable optional accessories:

- Warming shelves are very popular – available for one or both sides of the stove. May also be fitted together with either of the two heatshield packages and all other accessories.
- Our insulated lift-off modular oven comes complete with temperature gauge, handles, two wire shelves and optional glass door. Accepts up to 22cm casserole or 27 x 22cm baking tins.
- Pan and kettle safety retention may be improved by using the solid stainless fiddle rail – compatible with all other accessories.
- For narrowboats and very compact spaces, the BS 8511 compliant marine hearth unit is available.
- The tailored log store may be fitted to the base of the stove for added height and convenience.
- Our optional splashback made from solid brushed stainless steel can be used to reduce frying spatter onto the flue pipe and rear of the stove and heatshields when cooking using the hotplate. As with our solid stainless hotplate, the attractive and durable brushed finish can be restored at any time using proprietary cleaners.



Go Eco Adventurer 5 Glamping Stove shown with oven with steel door and log store

Warming Shelves



Left-hand warming shelf



Right-hand warming shelf

Heatshield Kits



Fitted Heatshield Surround Kit



Freestanding Hearth and Heatshield Kit

Splashback



Accessory Compatibility

	Fiddle Rail	Log Store	Side warming Shelf LH	Side Warming Shelf RH	Fitted Heatshield	Freestanding Heatshield	Oven Assembly	Marine Hearth	Splashback
Fiddle Rail		Yes	Yes	Yes	Yes	Yes	Yes	Yes	Yes
Log Store	Yes		Yes	Yes	Yes	No	Yes	Yes	Yes
Side warming Shelf LH	Yes	Yes		Yes	Yes	Yes	Yes	Yes	Yes
Side warming Shelf RH	Yes	Yes	Yes		Yes	Yes	Yes	Yes	Yes
Fitted Heatshield	Yes	Yes	Yes	Yes		No	Yes	Yes	Yes
Freestanding Heatshield	Yes	No	Yes	Yes	No		Yes	No	Yes
Oven Assembly	Yes	Yes	Yes	Yes	Yes	Yes		Yes	Yes
Marine Hearth	Yes	Yes	Yes	Yes	Yes	No	Yes		Yes
Splashback	Yes	Yes	Yes	Yes	Yes	Yes	Yes	Yes	

Ovens



Oven with glass door



Oven with steel door

Fiddle Rail



Marine Hearth



Log Store



GO ECO ADVENTURER STOVE INSTALLATION INSPIRATION



The Go Eco Adventurer stove can enhance a variety of home and glamping environments, here are some examples to inspire you...

YURT

Perfect for adding a little bit of luxury to your glamping experience.



SHEPHERDS HUT

Perfect for creating the most luxurious glamping setting or living off grid.



NARROWBOAT

Perfect for exploring the UK's network of canals in comfort and style.





Go Eco BakeChef Cooking Stove shown freestanding

Go Eco BakeChef Cooking Stove
flue heatshield accessory



GO ECO BAKECHEF COOKING STOVE



GO ECO BAKECHEF 5KW COOKING STOVE

A large and spacious stove that blends the state-of-the-art stove technology with full sized oven features to create the ultimate cooking stove experience.

Using the same ultra-clean burn principles as our conventional stoves together with inverted convection technology, the Go Eco BakeChef combines the best of both cooking and traditional stoves in a powerful all-round package. Two sliders control operation of the stove with one increasing the speed of the combustion, and the other diverting more heat to the oven allowing you to efficiently control the oven temperature.

Performance is future proofed thanks to advanced firebox combustion technology for clearSkies level 5, Ecodesign 2022 certified and DEFRA exempt heating as standard. Perfect for home installations or even larger glamping installs with its sturdy modern design and a full-sized oven and hotplate, there are no limitations on the meals you can cook in this stove. This stove will keep you warm whatever the weather, with a nominal heat output of 5kW and an efficiency of 82.5%.

Key Features

- Modern, substantial design brings a lot of character effortlessly making it the perfect focal point for any environment
- Extra-large air-washed flame-viewing windows for both the firebox and the oven
- Standard brushed-steel cooking top accommodates pans up to 28-32cm
- Large oven accepts full size bakeware and ovenware items
- 82.5% efficiency, A+ for best-in-class performance
- Stainless-steel handle, trims, ashpan and all fixings for durability and long service life
- Separate air control sliders to control the air wash and oven temperature
- Wood-burning only
- Clearskies Level 5 certified- ultra clean burning
- SIA Ecodesign 2022 certified and DEFRA Exempt for burning wood in smokeless zones
- Perfect for off-grid living, being capable of both heating and cooking
- Optional Flue Heatshield or Firebox heatshield accessories allow you to customise your stove.

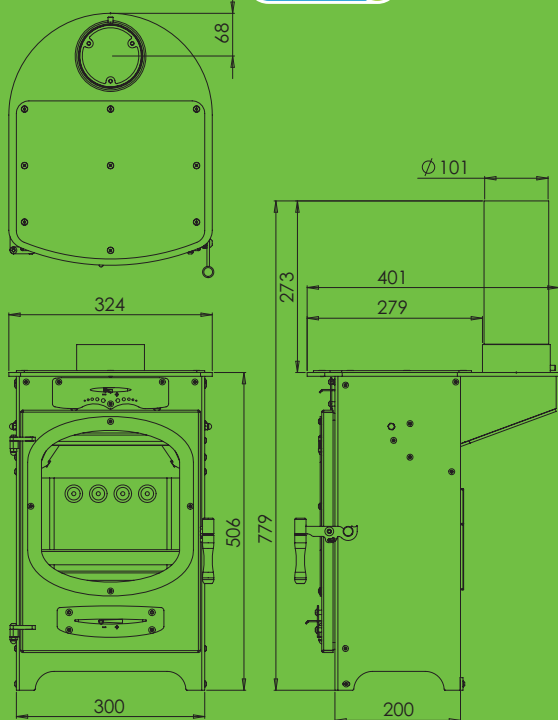


Go Eco BakeChef Cooking Stove shown freestanding with firebox heatshield accessory



DIMENSIONS AND SPECIFICATIONS

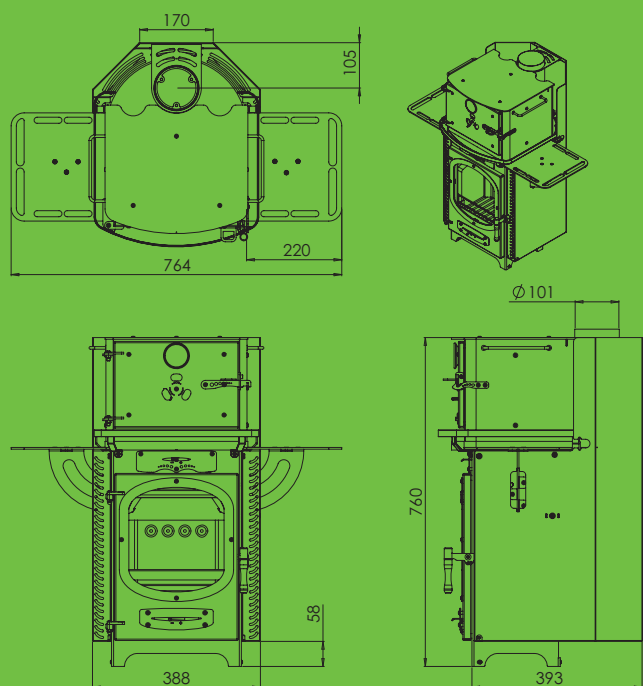
Stove only



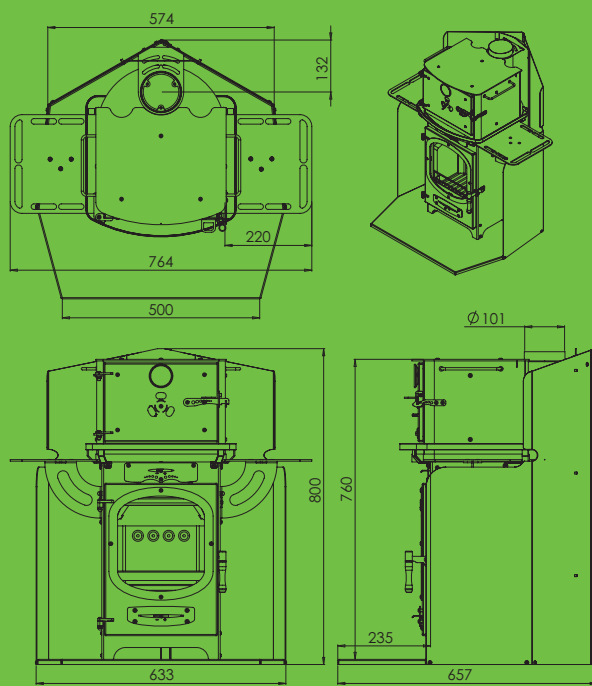
Go Eco Adventurer ⁵ Specifications	Fuel Type	
	Wood	Smokeless fuel
Nominal Output (kW)	4.5	4.5
Approx output range (kW)	3.4-5.3	3.0-5.0
Weight (Packed/Unpacked) Kg	58/45	58/45
Efficiency	86%	80%
CE Safety & Performance Standard	EN 13240	EN 13240
Cooking – additional standards	BS 12815	BS 12815
Emissions – additional standards	Ecodesign 2022	Ecodesign 2022
ClearSkies certification	Level 5	Level 5
Emissions – additional standards	DEFRA exempt	n/a
Max log length	180mm (7")	n/a
Recommended fuels	Dry Hardwood Logs	Maxibrite Smokeless
Energy Rating	A+	n/a

Go Eco Adventurer ⁵ Distance to combustibles	Firebox only No Heatshields fitted		Attached Heatshield Surround Kit		Freestanding Heatshield Surround Kit	
	Side	Rear	Side	Rear	Side	Rear
Adventurer 5	600mm	400mm	70mm	75mm	50mm	75mm

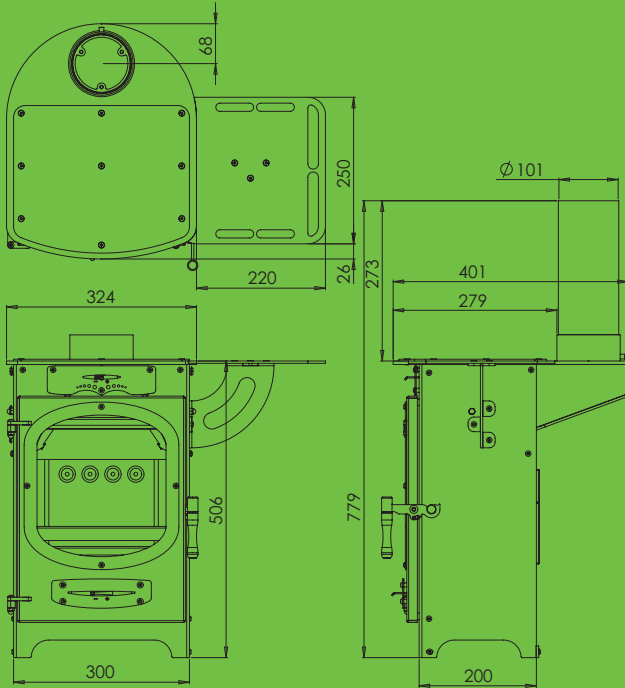
Stove plus fitted heatshield and warming shelves



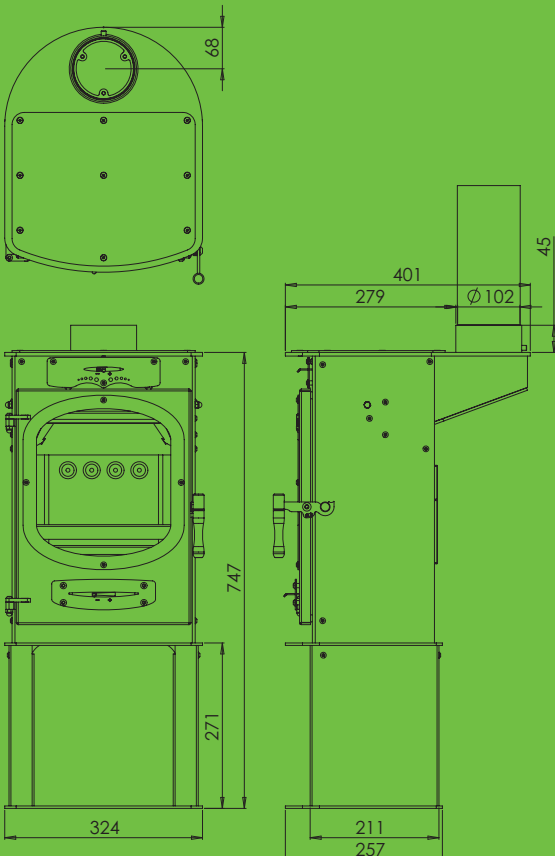
Stove plus freestanding heatshield and warming shelves



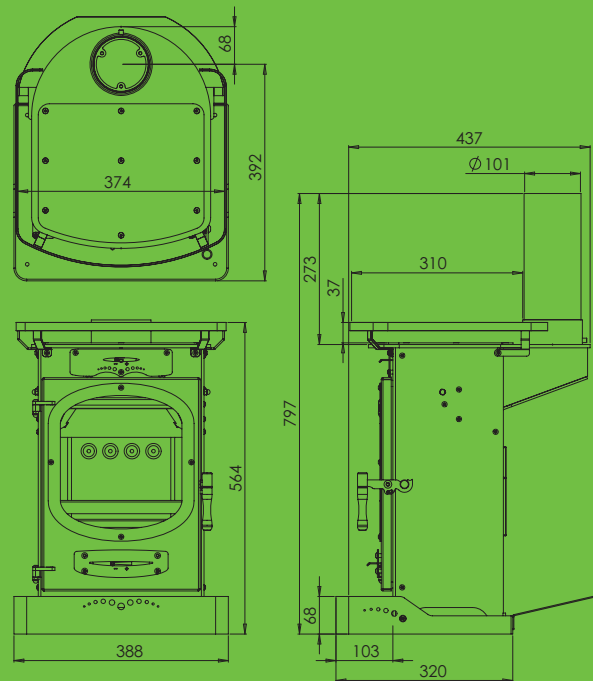
Stove with warming shelves



Stove with log store

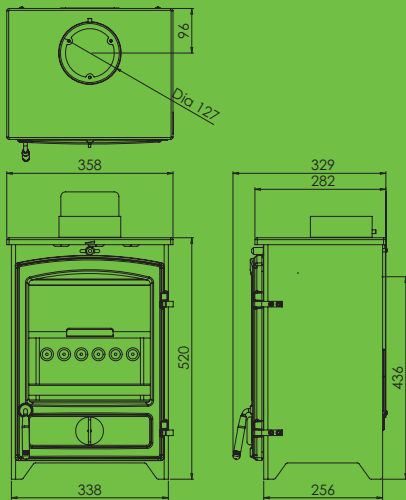


Stove with fiddle rail and marine hearth

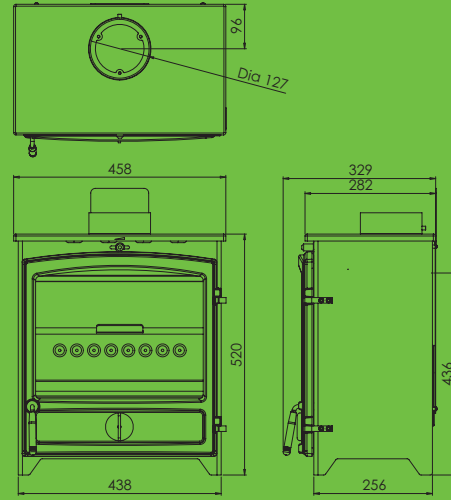


DIMENSIONS AND SPECIFICATIONS

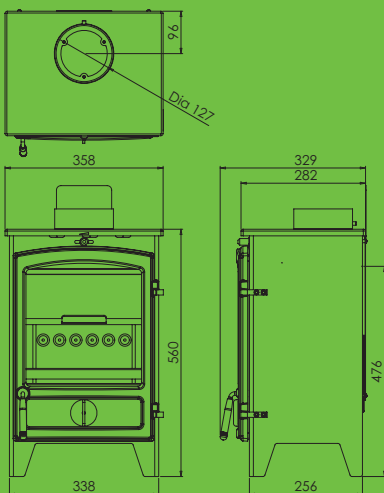
Go Eco 5kW Stove and 5kW Plus Stove



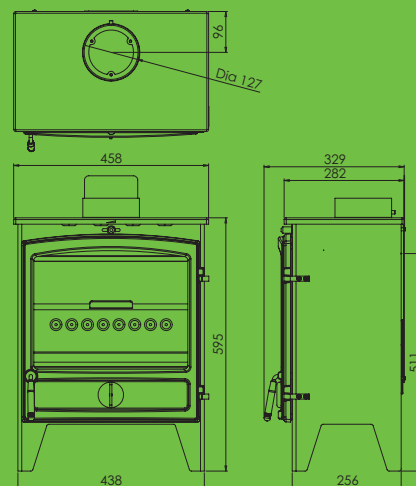
Go Eco 5kW Wide Stove and 5kW Wide Plus Stove



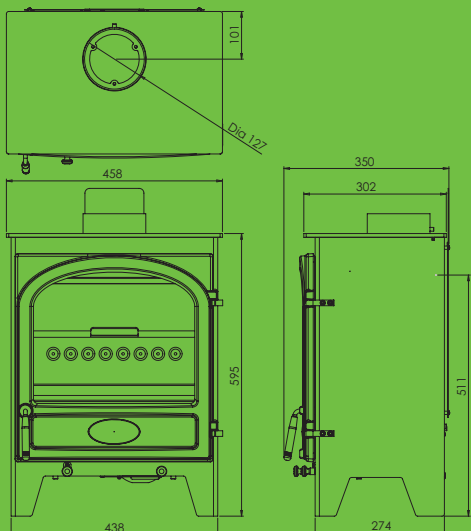
Go Eco 5kW High Line Stove



Go Eco 5kW Wide High Line Stove



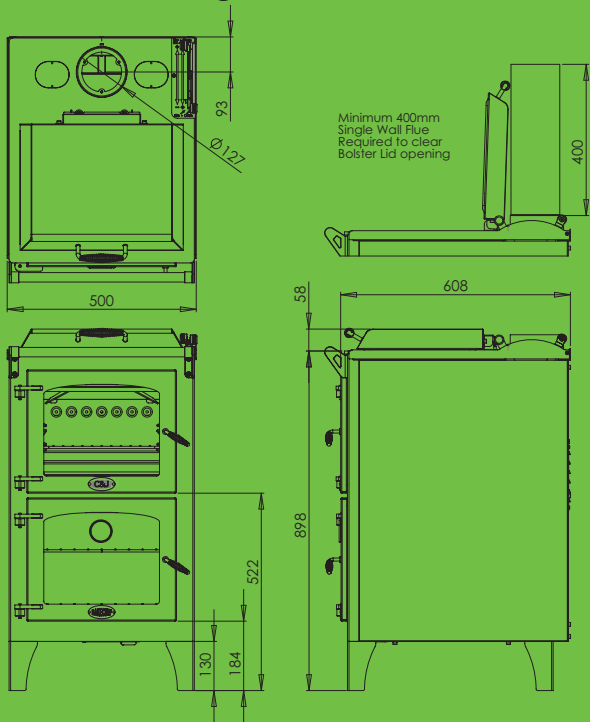
Go Eco 5kW Excel Stoves (Traditional shown)



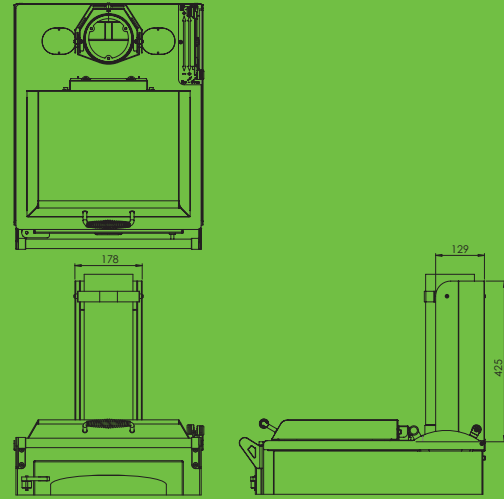
Go Eco Stove Range Specifications	Model		
	Go Eco 5, 5 Plus & 5 High Line	Go Eco 5 Wide, 5 Wide Plus & 5 Wide High Line	Go Eco Excel Traditional, Scenic, and Modern Doors
Efficiency	82.5%	79.8%	81.9%
Approx output range (kW)	3.8 - 6.7	4.1 - 7.0	4.0 - 7.1
Flue Connection	127mm (5") Top & rear	127mm (5") Top & rear	127mm (5") Top & rear
Max log length	250mm (9.9")	350mm (13.8")	350mm (13.8")
EEL Category	A+	A+	A+
clearSkies level	5	5	5
Distance to combustibles Side (Full Wall)	700mm (from top plate)	700mm (from top plate)	700mm (from top plate)
Distance to combustibles Rear (Single Wall Flue)	450mm (from top plate)	550mm (from top plate)	500mm (from top plate)
Distance to combustibles Rear (Twin Wall Flue)	300mm (from top plate)	300mm (from top plate)	300mm (from top plate)

DIMENSIONS AND SPECIFICATIONS

Go Eco BakeChef 5kW Cooking Stove



BakeChef Cooking Stove Flue Heatshield Assembly



Go Eco BakeChef Specifications

Nominal Output (kW)	5
Approx output range (kW)	3.8-6.3
Weight (Packed/Unpacked) Kg	224/203
Efficiency	82.5%
CE Safety & Performance Standard	EN 13240
Cooking – additional standards	BS 12815
Emissions – additional standards	Ecodesign 2022
ClearSkies certification	Level 5
Emissions – additional standards	DEFRA exempt
Max log length	350mm (13.7")
Recommended fuels	Dry Hardwood Logs
Energy Rating	A+
Distance to Combustibles (mm)	Side 300 Rear 75*/350

*Distance to combustibles is reduced to 75mm at the rear by adding the optional Flue Heatshield Kit

Charlton & Jenrick Company and Product Accreditations

Charlton & Jenrick have made a very substantial investment over the years in obtaining a wide range of accreditations and trade body memberships to ensure that we are consistently offering the best possible products and services to our customers. We not only manufacture appliances but we also put in huge behind-the-scenes efforts to ensure that we input to and keep abreast of impending legislation, standards, product performance and environmental requirements. Currently we subscribe and contribute to the following accreditations:



The UKCA (UK Conformity Assessed) mark is the new UK product mark that replaces the CE mark for products being placed on the market in Great Britain (England, Wales and Scotland). It covers most products that previously required the CE mark. All our fires comply to this new mark.



SIA Ecodesign Ready marking is an independent scheme run by the Stove Industry Alliance to verify and independently demonstrate that wood burning stoves already meet the strict requirements of the 2022 EU Ecodesign Directive for performance and emissions.



HHIC, the Heating and Hot Water Information Council is a trade body representing the UK gas fire industry. As part of the Energy and Utilities Alliance, within the HHIC we have an input into EU and UK standards committees, communicate with Government departments and keep abreast of serious issues affecting the gas fire industry.



SIA, the Stove Industry Alliance is the UK trade body for the solid fuel stove industry. C&J are members of the Executive Committee and currently chair the Technical Committee enabling input into UK and EU standards committees and lines of communication into Government departments and keeping up to date on a wide range of issues affecting the industry.



DEFRA exemption is the mechanism where our wood burning stoves are checked and certified to comply with the Clean Air Act and therefore allowed to be used in smoke control zones throughout the UK. Involving a strict test programme and independent report, this is then thoroughly assessed by DEFRA advisors before being accepted.





Gas Safe Register is the mandatory national competent persons scheme to allow work on gas fittings and appliances in customers' homes. Our service and most of the sales team have completed the regular training courses and sit the regular exams to ensure our customers have the best support and service.



ISO 9001 is the internationally recognised standard for Quality Management Systems which in our case includes the activity of product design and development as well as production, sale and support functions. Annual independent audits and certification ensure continued compliance in producing consistent quality products.



ISO 14001 is the internationally recognised standard for Environmental Management Systems. Once again this independently audited and certified system makes sure that we are regularly monitoring and reviewing the impact of the business and its products to ensure we minimise negative impacts and promote best practice.



ClearSkies is a certification mark for Emissions and Energy Performance of domestic wood & solid fuel stoves and fireplaces. clearSkies ratings, namely the certification levels, will show appliances that meet defined emissions and efficiency thresholds that exceed the minimum requirements set by the ecodesign regulation.

CE marking of products is mandatory for electric fires and stoves in Europe. We always invest in independent testing and certification to ensure our products meet all necessary requirements for the regions we operate in.



 @cJfires

 www.facebook.com/cJfires

www.charltonandjenrick.co.uk



Please note: Our policy is one of constant development and improvement. We therefore reserve the right to revise the specification and design of our stoves without formal notice. This leaflet is presented as a guide to aid in your decision and does not replace the need for technical assessment by your dealer. While the utmost care was taken in the preparation of this brochure, it is not intended to replace the installation manual which provides more detailed information. Photography is for illustration purposes only and does not replace the need to see the stove in a showroom. We accept no liability for any loss or damage arising either directly or indirectly from the use of this brochure. **All designs in this brochure are design or copyright registered. Charlton & Jenrick, without exception, will take action against any infringements of its designs.**



GO ECO
STOVE RANGE



GO ECO
BAKECHEF
COOKING STOVE

Charlton & Jenrick^{LTD}

Charlton & Jenrick Ltd, Unit D,
Stafford Park 2, Telford, Shropshire TF3 3AR
Tel: 01952 200444

e-mail: sales@charltonandjenrick.co.uk

 charltonandjenrick.co.uk



CONNECT WITH US:

