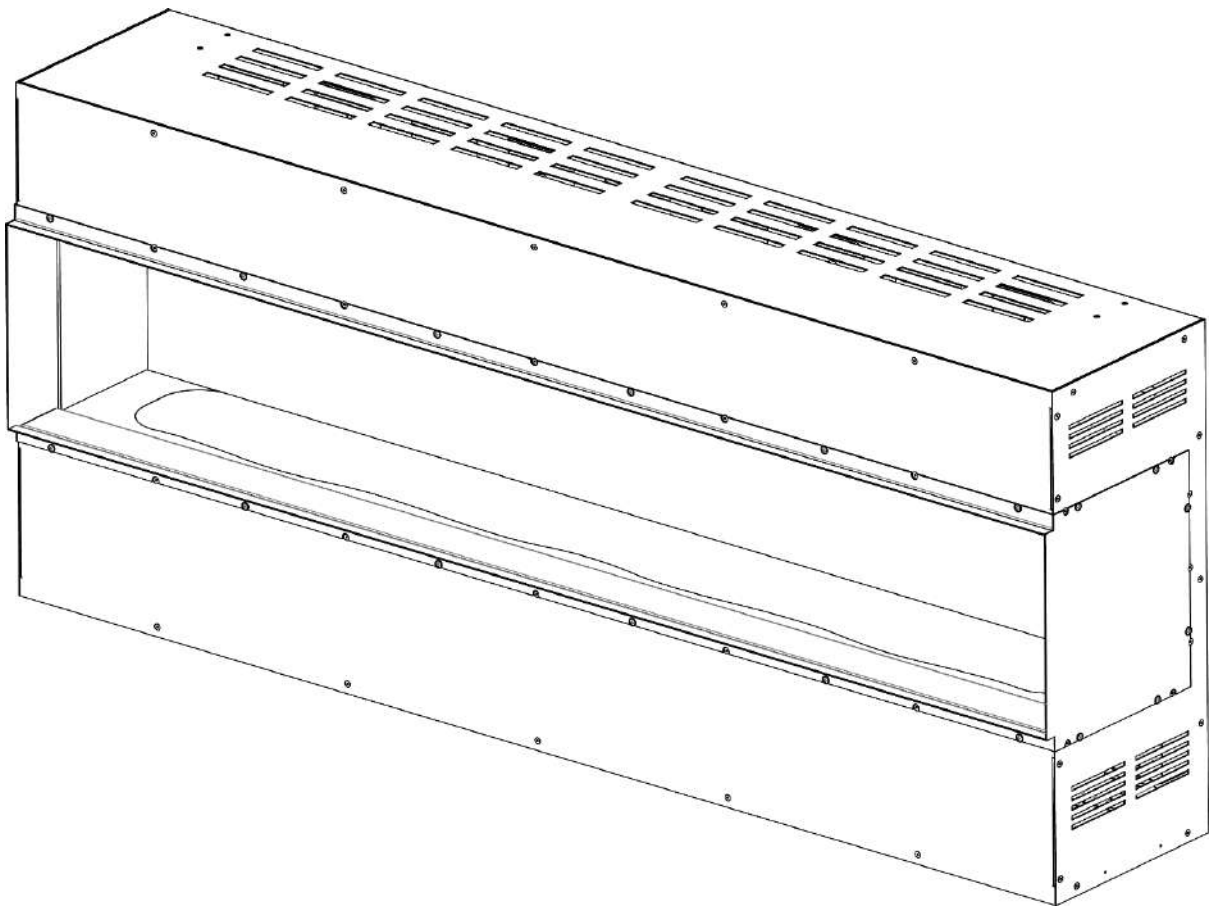




Installation & Users Operating Instructions



Having installed the appliance, the installer should take the necessary steps to ensure that the user fully understands how to operate the appliance and is also made aware of the fire's basic cleaning and maintenance requirements.



INSTALLATION REQUIREMENTS

IMPORTANT - PLEASE READ ALL OF THE INSTRUCTIONS BEFORE USING YOUR PRODUCT

- This product must be left in its final position for at least one hour to acclimatise to your room temperature before use.
- Do not position this product near to a bath, shower, or a swimming pool.
- Under no circumstances must this product be covered with anything. This is a serious fire risk.
- Do not position this product below a socket outlet, and ensuring it is positioned so that the plug socket is easily accessible.
- Position so that the product is situated on a flat surface. It is strongly recommended that the product is not situated on a carpet or any other textile surface.
- This product must be securely fixed to a wall see Installation Requirements.
- Do not use this product in series with a programme controller, thermal control, a timer or any other device that switches the fire on automatically.
- This appliance can be used by children from 8 years old and above and persons with reduced physical, sensory, or mental capabilities or lack of experience and knowledge if they have been given supervision or instruction concerning use of the appliance in a safe way and understand the hazards involved. Children shall not play with the appliance. Cleaning and user maintenance shall not be made by children without supervision.
- Children of less than 3 years should be kept away unless continuously supervised. Children aged from 3 years and less than 8 years shall only switch on/off the appliance provided it has been placed or installed in its intended normal operating position and they have been given supervision or instruction concerning use of the appliance in a safe way and understand the hazards involved. Children aged from 3 years and less than 8 shall not plug in, regulate, and clean the appliance or perform user maintenance.

CAUTION – Some parts of this product can become very hot and cause burns. Particular attention has to be given where children and vulnerable people are present.

WARNING: Do not use this heater in small rooms when they are occupied by persons not capable of leaving the room on their own, unless constant supervision is provided.

WARNING: This appliance must be earthed. Refer to the rating plate for the voltage.

IMPORTANT:

The wires in the mains lead fitted to this appliance are coloured in accordance with the following code:

GREEN / YELLOW - EARTH

BLUE - NEUTRAL

BROWN – LIVE

If you have to fit a plug:

As the colours of the mains lead of this appliance may not match the coloured markings used to identify the terminals in a plug, please observe the following:

- The green and yellow wire must be connected to the terminal in the plug which is marked with the letter E or the earth symbol





- The blue wire must be connected to the terminal in the plug marked with the letter N.
 - The brown wire must be connected to the terminal in the plug marked with the letter L.
 - If the plug or the supply cord is damaged it must be replaced by a new cord or assembly available from the manufacturer or service agent.
- Replace fuses only with fuses of the correct size and rating.

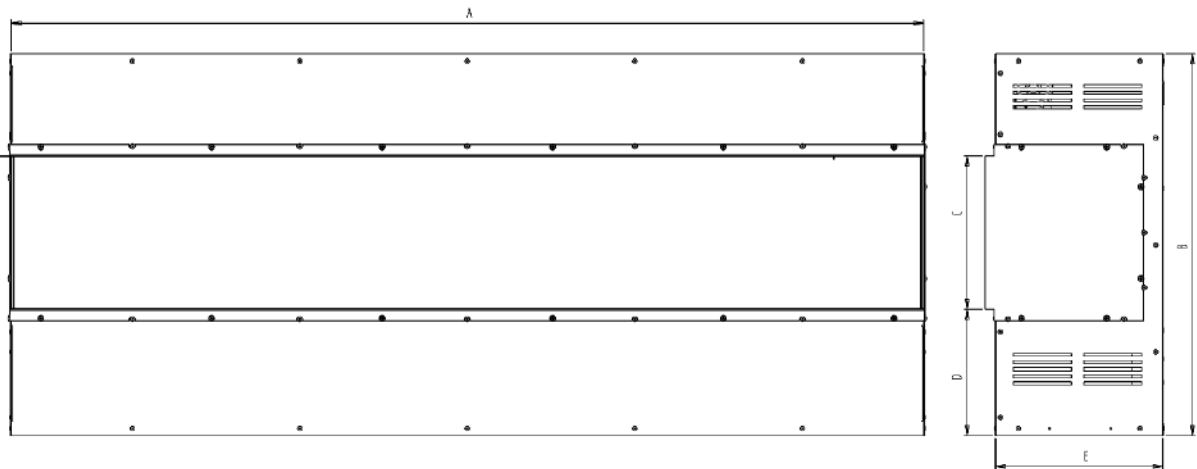
Electrical Connections

This appliance must only be connected to a 230/240 volts AC 50Hz supply. Before connecting the fire, check that the supply voltage is the same as stated on the fire. This appliance must only be used on AC supply fuse rating 13 amps.

Nero 1500 Series

Components

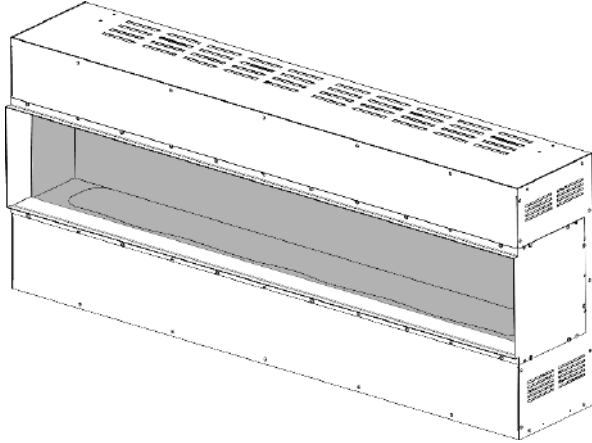
Model	Side blanking Plates	Side Plaster Angles	Log set	Glass Chippings	Wall Brackets	Power Lead	Instruction Manual
1500-1	2-off		1-off	4-Bags	1-off Rear 2-off Top	1-off	1-off
1500-2	1-off	1-off	1-off	4-Bags	1-off Rear 2-off Top	1-off	1-off
1500-3		2-off	1-off	4-Bags	1-off Rear 2-off Top	1-off	1-off



Model	Width "A"	Height "B"	Opening "C"	Base Ht "D"	Depth "E"
1500	1500	625	250	206	278
1500-1	1500	625	250	206	278
1500-2	1500	625	250	206	278

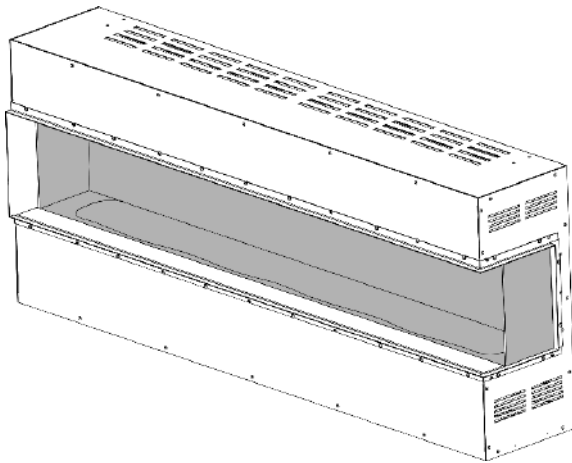


Model Type Configuration



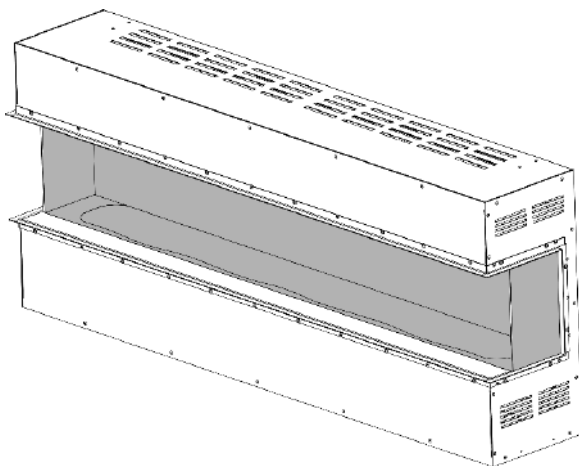
1500-1 Glass Fronted

Single Glass Panel at the front



1500-2 Single Side Glass

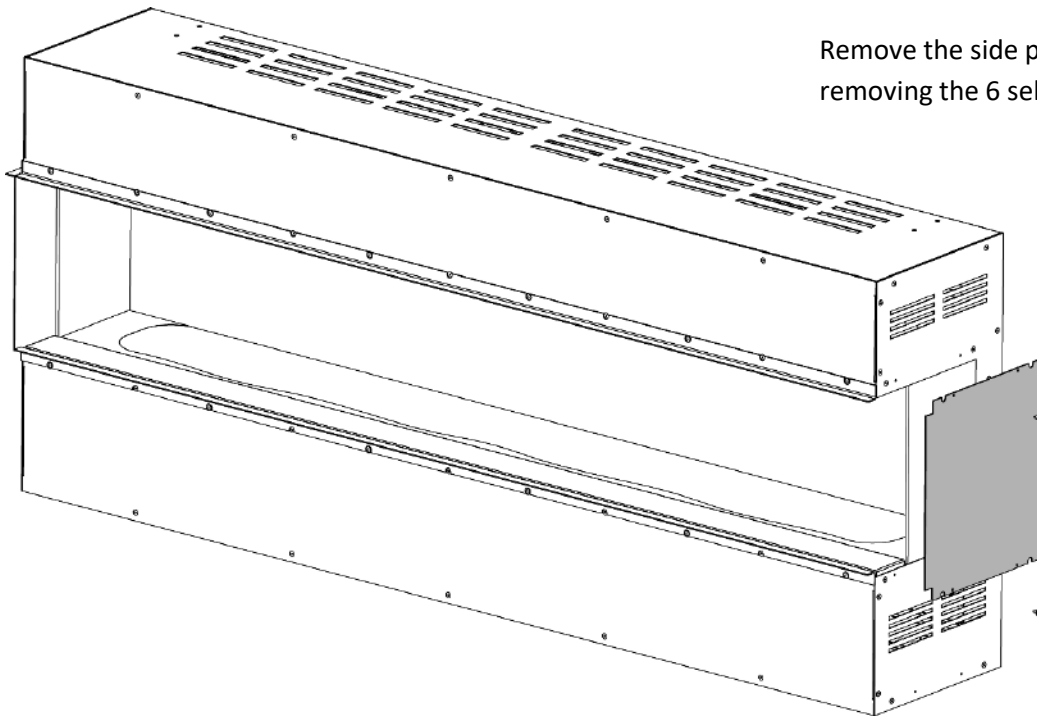
Single Glass Panel at the front and one Glass Panel at the side. Glass can be either side



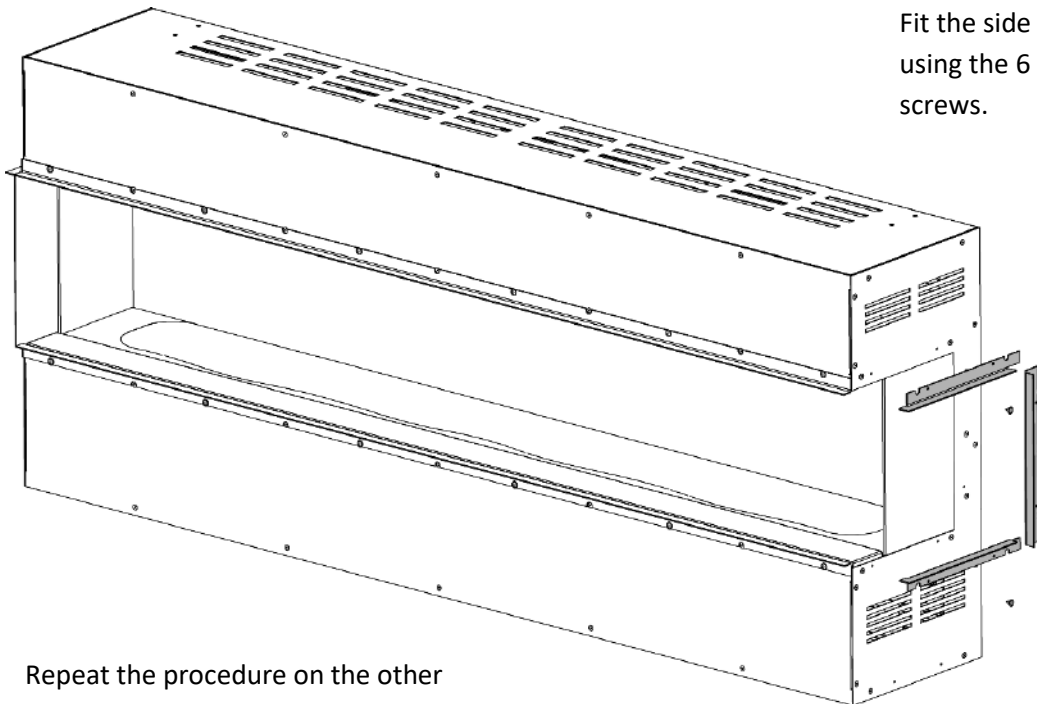
1500-3 Double Side Glass

Single Glass Panel at the front and Glass Panels at both sides.

Changing from Glass Fronted to Single and Double Side Glass



Remove the side panel / panels by removing the 6 self-tapping screws

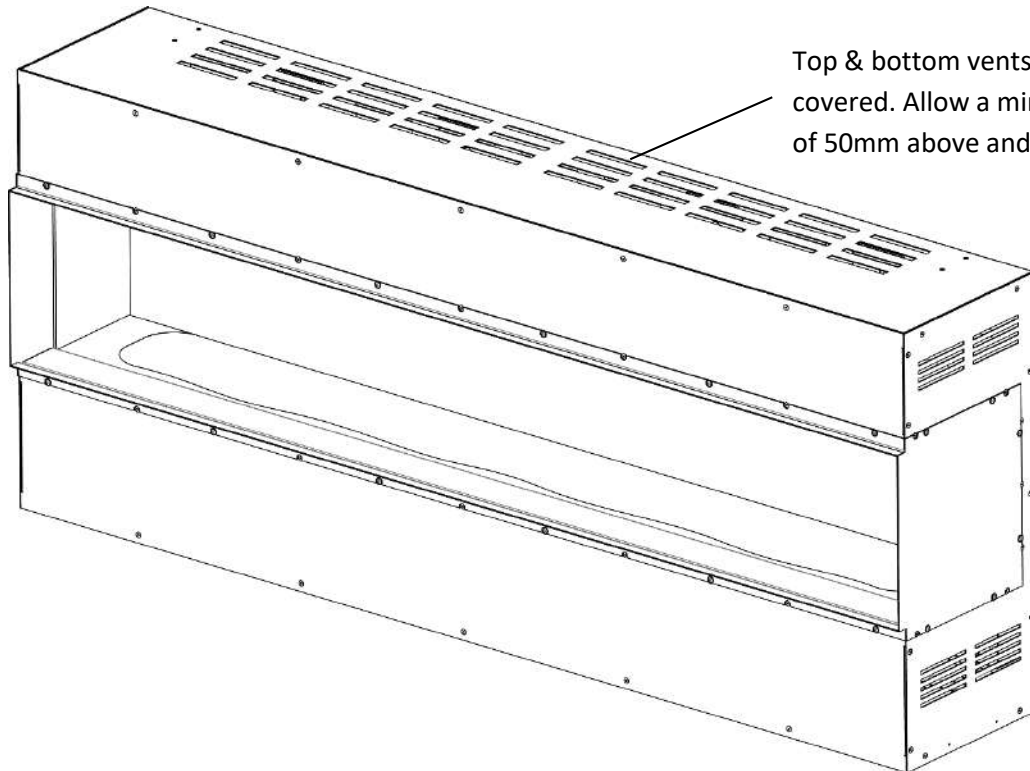


Fit the side plaster angles as shown using the 6 original self-tapping screws.

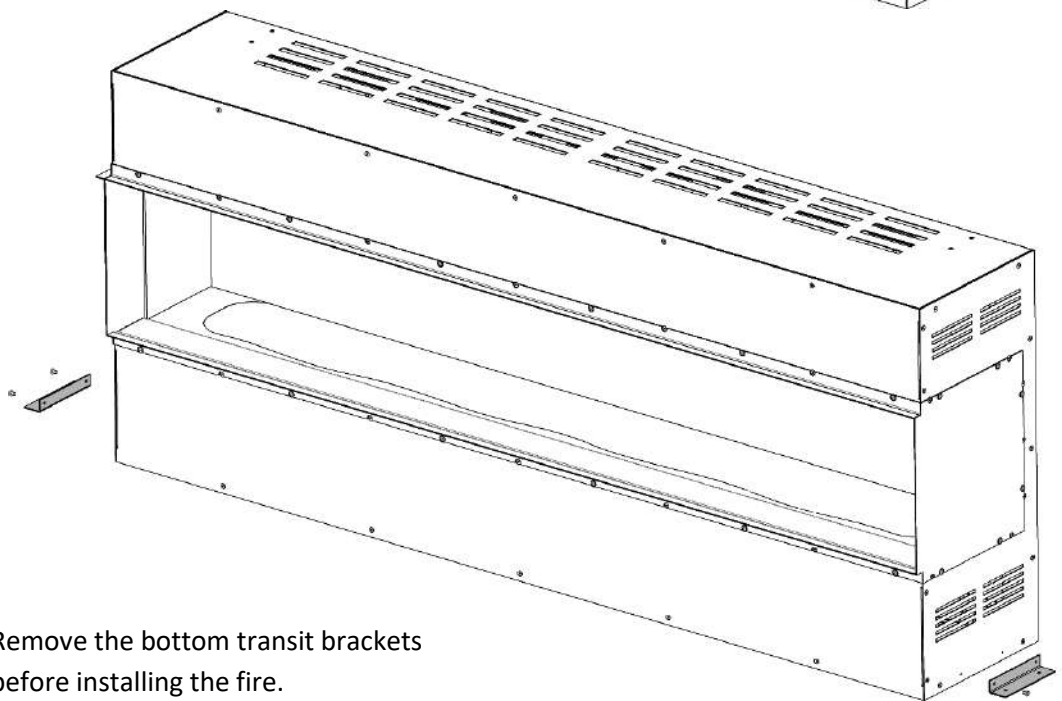
Repeat the procedure on the other side for double side glass.

Installation Requirements

Please consult a professional to check that the structure of the installation site is suitable.
This appliance range has been designed to be installed into a studded and plasterboard wall, or similar.



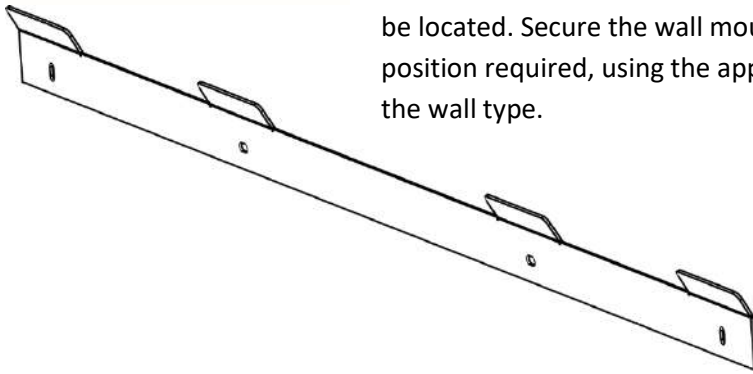
Top & bottom vents must not be covered. Allow a minimum clearance of 50mm above and below them.



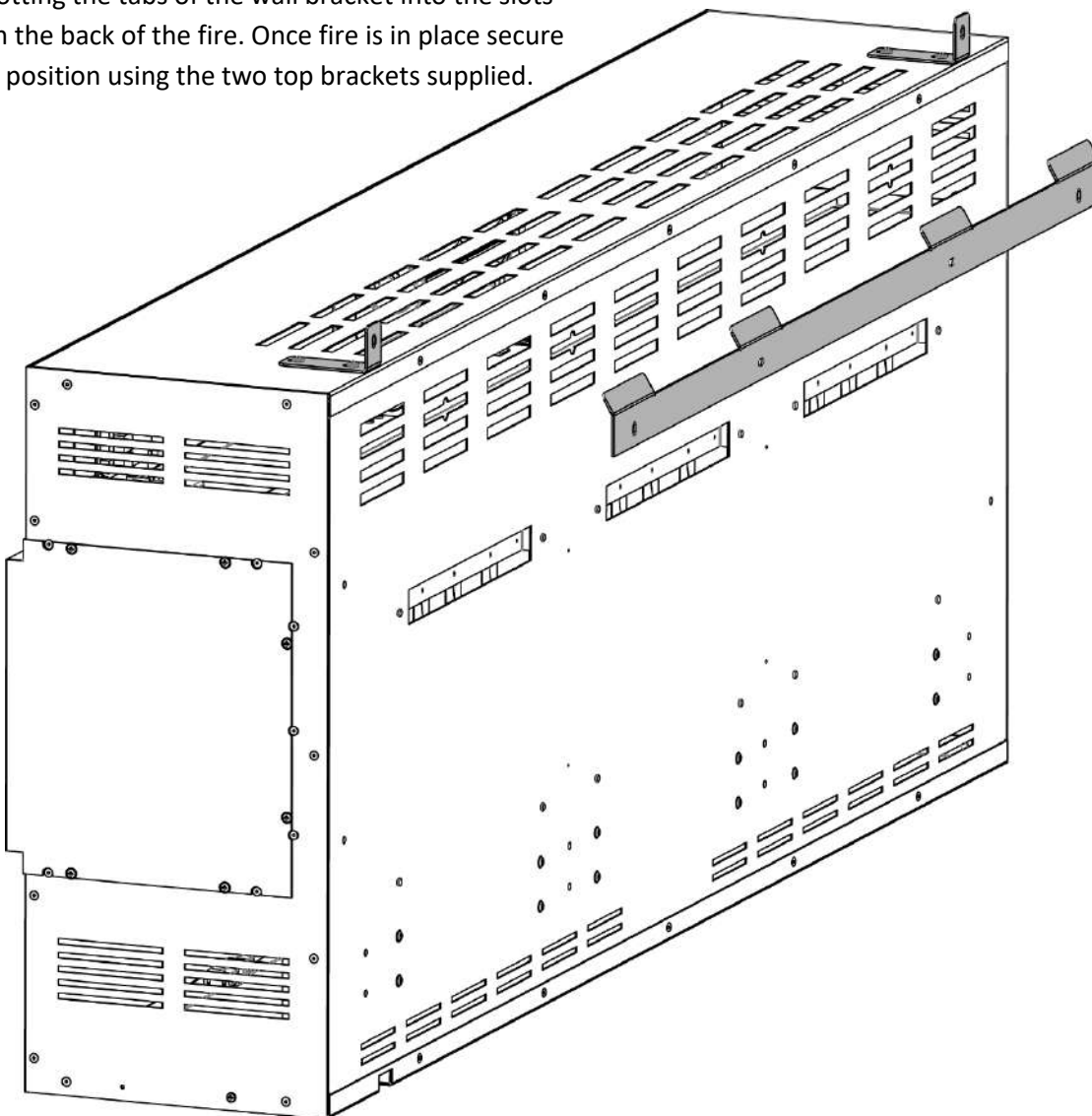
Remove the bottom transit brackets
before installing the fire.

NERO

Determine the finished height and position that you want the fire to be located. Secure the wall mounting bracket to the wall in the position required, using the appropriate fixings that are suitable for the wall type.

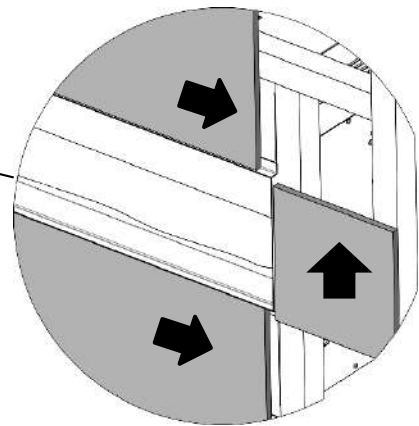
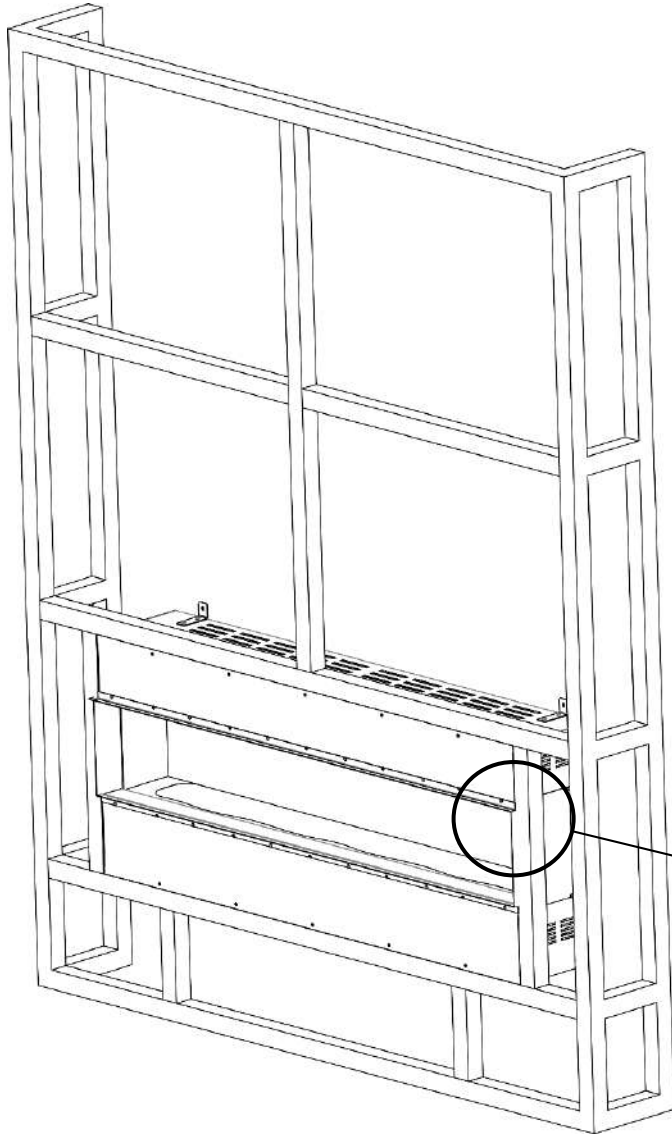


The fire can now be hung on to the bracket by slotting the tabs of the wall bracket into the slots on the back of the fire. Once fire is in place secure in position using the two top brackets supplied.



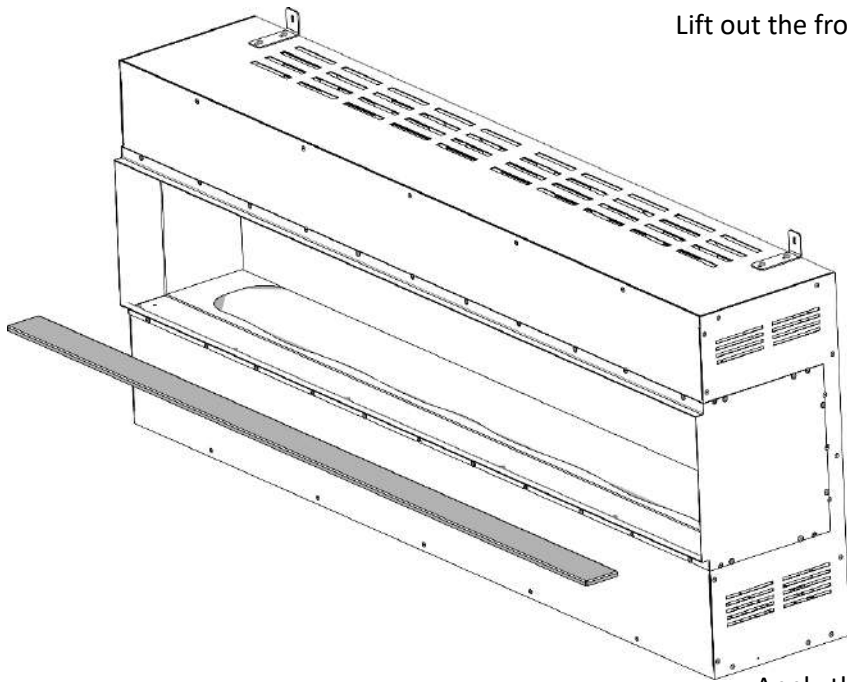
When the fire is secured in position, the stud walls around the fire can be constructed in the design of your choice.

NOTE: The fire should not support the studwork and should not cover any of the vents below and above the fire (a minimum clearance of 50mm). Do not use silicone sealant, adhesives, or wet plaster to seal the appliance. Before plaster boarding in the fire, it is recommended that the fire is connected to the mains and tested (see fire operation). It is recommended that a fused switch spur is fitted on the outside of the stud work so that the fire can be isolated for maintenance purposes. Once satisfied that the fire is working the plaster board can be fitted up to the plaster board angles on the fire and then plaster finished.



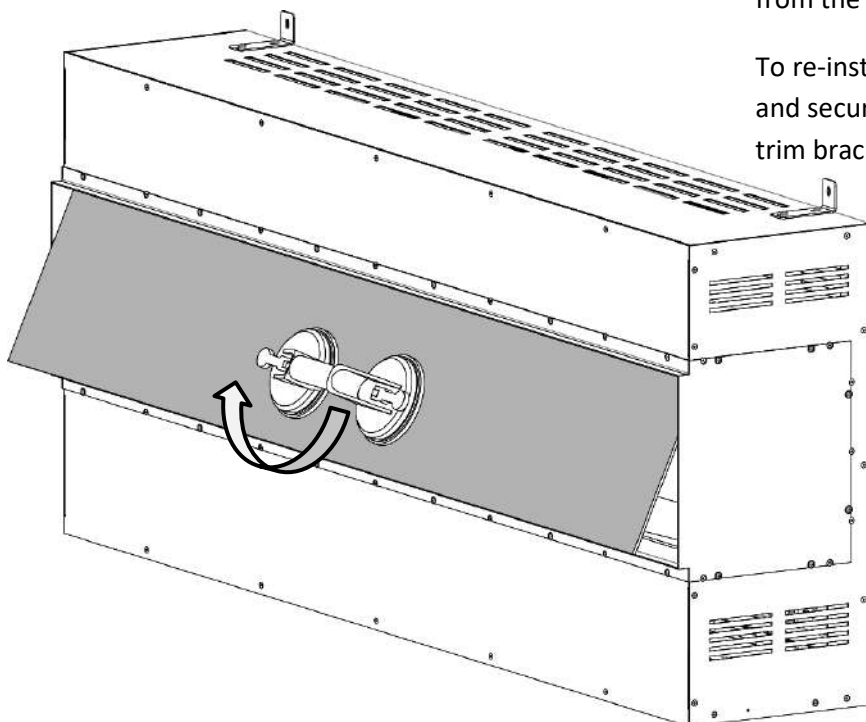
Removing the front Glass Panel

Lift out the front bottom trim bracket



Apply the suction lifter to the glass, then ease the bottom edge forward till the glass releases from the top.

To re-install the glass, reverse the procedure, and secure in position by re-fitting the bottom trim bracket.



Log Layout

Starting in the centre of the fire position Logs as shown in sequence below.



NERO 



Legendfires 

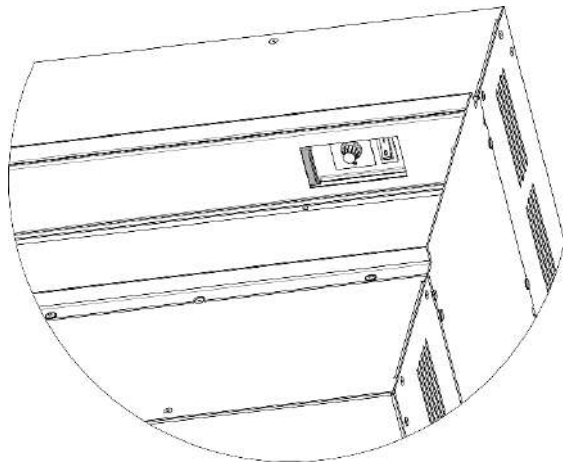


Once all logs are in desired position carefully place the Glass chippings around the logs as shown.




Glass Chippings: Red, Yellow, Black/Purple, and Clear. Arrange colours to give the desired effect. When satisfied with the log and Glass chippings layout, carefully re-fit the front glass and front bottom trim bracket, as per previous instructions.

USER INSTRUCTIONS





To operate the fire


Ensure that the fire is switched on at the switched fused spur.


Then switch the fire switch  to the on (I) position, this is located behind the sliding panel under the top right-hand corner, this then enables the remote control to be used to control the operation of the fire. (If the fire is not going to be used for long periods of time it is advisable to switch this switch to the off (O) position).

Remote Control Operation

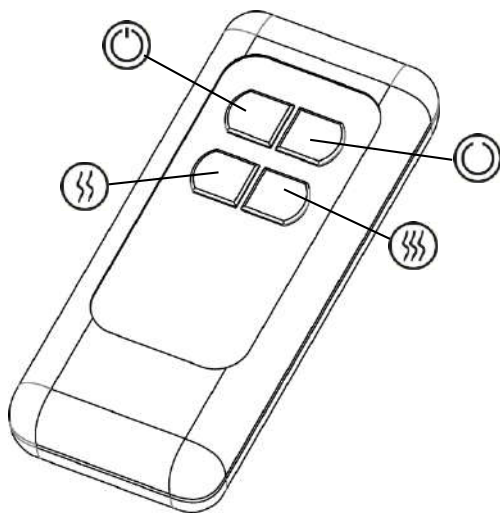
Power On Button (top left)  Pressing turns on the flame effect & lights only and allows the heater buttons to operate. Pressing repeatedly has no effect, the power stays on.

Power Off Button (top right)  when pressed everything stops. All other buttons are then inoperative apart from power on button.

Half Heat Button 1Kw (bottom left)  Once power on button has been pressed, pressing this button turns on half the heater, another press turns off the half heater. Repeat pressing cycles between no heater and half heater.

Full Heat Button 2Kw (bottom right)  when pressed turns on the full heat, repeated pressing cycles between full heat and half heat. Note to put the heater onto full heat the heater must be on half heat first.
To go to no heat from full heat (but leaving the flame effect and lights on), press half heat, pause a few seconds, and then press half heat again.

Thermal Switch (located behind the sliding panel, fire top right-hand corner) by turning the thermal switch up or down the room temperature can be set, this will automatically turn the half heat and full heat on and off to maintain the room temperature at the desired level.



Important notes on Fan Heaters

Note: The Fire is fitted with a Heater Fan unit cut-out

The fire heater will automatically cut-out to prevent damage from overheating. If the airflow is obstructed or restricted in anyway.

You may experience a low volume noise due to air flow through the fan and the blower. This is quite normal and in no way impairs the working of the appliance.



SERVICING

Servicing the fire

Only a competent person should service this appliance.
It is recommended that the appliance should be serviced every 12 months.

WARNING: Before carrying out servicing, ensure that the power socket is isolated.

Cleaning the appliance

Isolate the fire at the switched fused spur

Vacuum the front top grill to remove any dust.

Clean fire with a damp soft cloth. Do not use polish or abrasives.

GUARANTEE

CONDITIONS OF WARRANTY

If this appliance should prove to be defective due to faulty design, materials or workmanship within 12 months of purchase, the product will be repaired free, subject to the following conditions.

1. The electric fire shall have been purchased and used solely within the UK for domestic purposes and in accordance with the Users Operating Instructions.
2. It is the purchaser's responsibility to prove that the unit is under guarantee, e.g. receipt of purchase.
3. On discovery of a fault, the purchaser should contact the dealer from whom the product was purchased in order to ascertain whether they or a service centre will carry out the repair. If problems are encountered the purchaser may contact the service centre shown on the list enclosed with this product. All transportation will be at the purchaser's expense and risk.
4. All guarantees will be invalidated if unauthorised repairs or modifications are made to the electric fire, or in case of accident, misuse, or damage caused by improper installation, or to damage occurring during transit to or from the repairer and altered or missing serial numbers.
5. Any parts, which have been replaced under this guarantee, shall become our property.
6. The company shall not be liable for any consequential loss or damage whatsoever, arising from or in connection with this electric fire.
7. This guarantee does not apply to elements, bulbs or fuses.
8. 'No fault found', service calls and installation errors are not covered under the manufacturers guarantee and will result in a charge being made for the call out by our appointed service engineer.
9. This guarantee is in addition to and does not affect the purchaser's Statutory Rights of Consumers.
10. The company will arrange call-out requests within a mutually agreed time frame. If the company's appointed engineer cannot gain access or receives no answer, a call-out charge will be incurred.
11. The company reserve the right to alter, change and amend or cancel any aspect of these terms & conditions in whole or part without prior notice.





IMPORTANT WARRANTY INFORMATION

Please retain these details for future reference.

PLEASE COMPLETE THIS INFORMATION

Your Details

Mr/Mrs/Miss/Ms:

Address

Town/City:

County:

Post Code:

Telephone Number:

Product Details

Model Name:

Serial Number:

Purchased From:.....

Installation Date:.....

I confirm that I have read and understood the terms & conditions listed above and agree to abide by these terms & conditions.

SERVICE RECORD

	Company	Engineers Signature	Date
1 st Service			
2 nd Service			
3 rd Service			
4 th Service			
5 th Service			



Unit 404
Glenfield Park Business Centre
Blakewater Road
Blackburn
Lancashire
BB1 5QH

Tel: 01254 695244

Fax: 01254 695255

Web: www.legend-fires.com

Email: info@legend-fires.com

