

# Charlton & Jenrick<sup>LTD</sup>

*Best of British fires, fireplaces & stoves*

## **Instruction for User, Installation & Servicing**

**For use in the UK**



# PANACHE 8040

---

## Contents

Instruction for User, Installation & Servicing .....	0
Benchmark Scheme .....	2
Introduction .....	3
Consumer Protection Information .....	3
Important Information .....	4
Lighting the Appliance & General Operation of Control .....	5
Auto (Thermostatic) Control.....	7
Menu features .....	8
Changing the Handset Batteries. ....	8
Cleaning the Panache 8040 Appliance .....	9
Fuel Bed Layout.....	11
Technical Specification.....	18
Siting the Appliance .....	19
Commissioning the Appliance .....	29
Annual Service Requirement.....	34
Fault Finding Charts .....	36
Wiring Diagram .....	37
Maintenance.....	38
Short Spares List.....	43
Your Fire Years Parts Extended Warranty.....	46
Four Year Service Log Details .....	47
GAS FIRE COMMISSIONING CHECKLIST.....	48
Register Your 12 Month Warranty with Us Today .....	49

---

## Benchmark Scheme

Charlton and Jenrick Ltd is a licensed member of the Benchmark Scheme which aims to improve the standards of installation and commissioning of domestic heating and hot water systems in the UK and to encourage regular servicing to optimize safety, efficiency and performance. Benchmark is managed and promoted by the Heating and Hotwater Industry Council. For more information and the full code of practice please visit [www.centralheating.co.uk](http://www.centralheating.co.uk)



Please ensure that the installer has fully completed the Benchmark Checklist on the inside back pages of the installation instructions supplied with the product and that you have signed it to say that you have received a full and clear explanation of its operation. The installer is legally required to complete a commissioning checklist as a means of complying with the appropriate Building Regulations (England and Wales).

All installations must be notified to Local Area Building Control either directly or through a Competent Persons Scheme. A Building Regulations Compliance Certificate will then be issued to the customer who should, on receipt, write the Notification Number on the Benchmark Checklist.

This product should be serviced regularly to optimize its safety, efficiency and performance. The service engineer should complete the relevant Service Record on the Benchmark Checklist after each service.

The Benchmark Checklist will be required in the event of any warranty.

It is a requirement that the gas fire is installed and commissioned to the manufacturer's instructions and the data fields on the commissioning checklist completed in full.

To instigate the guarantee, the gas fire needs to be registered with the manufacturer within one month of the installation.

To maintain the guarantee, it is essential that the gas fire is serviced annually by a Gas Safe registered engineer. The service details should be recorded on the Benchmark Service Interval Record and left with the householder.

---

## PANACHE 8040 USERS INSTRUCTIONS

### Introduction

The Panache 8040 has been designed and tested to the requirements of EN 613 : 2001 and BS 7977-1:2009+A1:2013 and is suitable for use in UK.

Panache 8040 incorporates a single gas valve which selects ignition pilot, with variable setting between low and high setting and is operated via remote control hand device or optional smart app device. This system is powered by mains electricity via pre-wired transformer plus supply cord. Alternative power supply is available for users during mains interruptions.

The Panache 8040 incorporates a safety device in form of an Oxygen Depletion System, which constantly monitors the oxygen in the room and will cause the fire to switch off if the oxygen level reduces, for instance due to insufficient ventilation or a blocked flue.

### Consumer Protection Information

As manufacturers and suppliers of heating products, we take every care to ensure that the design and construction as to meet the general safety requirements when properly used and installed. To this end, our products are thoroughly tested and examined before dispatch.

Any alteration that is not approved by the manufacturer could invalidate the approval of the appliance, operation of the warranty and could affect your statutory rights.

This appliance could contain some materials that could be interpreted as being injurious to health. It is the users / installers responsibility to wear protective clothing when handling the following materials. Artificial fuel, mineral wool, insulation material, refractory/ceramic fibers and glass yarn. May be harmful if inhaled, may be irritating to skin, eye, nose and throat.

When disposing refractory / ceramic materials to keep dust to a minimum there materials should be securely wrapped in polythene and clearly labelled "RCF waste". These materials are not classified as hazardous waste and should be disposed of at a site licensed for disposal of industrial waste.

---

## PANACHE 8040 USERS INSTRUCTIONS

### Important Information

The appliance is for use on Natural Gas Only (G20 @ 20mbar)

The Chimney or flue (unless new or previously used with a gas appliance) shall be swept before installation if been used for solid fuel.

In Great Britain, the appliance must be installed by a competent person whose name appears on the gas safe register. All Gas Safe engineers should possess an ID carrying the logo below.



The glass front of this appliance acts as a dress guard, conforming to BS 1945 (1997) however a fireguard to BS6539 (1997) must be used to protect young children, the elderly or infirm.

The Appliance must not be used with the glass safety screen removed or if it is damaged or cracked.

During initial "burn off", an odour may be evident during the first few hours of use. This is due to the surface coating on the metal work "burning off". The odour produced is harmless and will disappear after a short period of time.

During the normal operation of the fire some black staining may appear on some parts of the fuel bed. This is quite normal. However, if excessive black staining occurs it may be due to the fuel bed shapes laid incorrectly. This should be checked prior to contacting a service engineer.

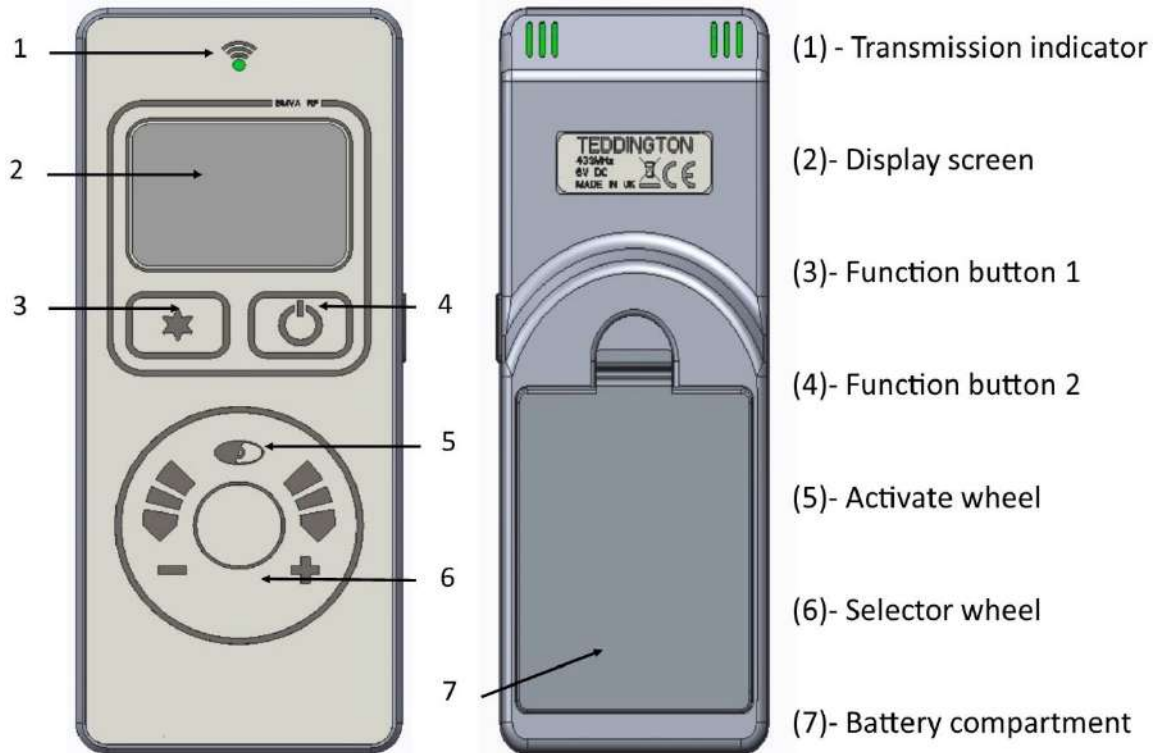
Care must be taken to prevent any damage being caused to surrounding soft furnishing or decoration. Many embossed vinyl coverings may become discoloured if placed too close to the appliance. It is suggested that a sample of the proposed wall covering should be placed above the appliance at its hottest point first. The appliance should then be run on high rate over a couple of days

It is advised that this appliance is serviced annually as recommended by Gas Safe. This is more likely to provide trouble-free operation and is a requirement of the extended warranty.


In UK the fire does not normally require purpose built ventilation, but if any special reason purpose built ventilation is provided it should be checked periodically to ensure freedom from obstructions.

## PANACHE 8040 USERS INSTRUCTIONS

### Lighting the Appliance & General Operation of Control



#### Display overview

Press  to awaken the handset from its dormant sleep mode at any time. Fig 1 shows the display neutral, ready to turn on.

#### Turn on (startup).

Pressing and holding  displays an "UNLOCK" graphic Fig 2 prompting the  button to be pressed simultaneously. Whilst both  &  are pressed a progress bar Fig 3 will complete. If either button is released before the progress bar has completed the operation will cancel. Once the progress bar has completed the handset will display the status of the fire (priming – ignition – pilot – main burner) finishing at the fire "on" display screen Fig 4.

## PANACHE 8040 USERS INSTRUCTIONS

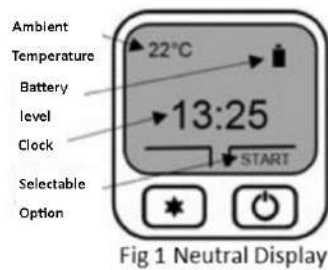


Fig 1 Neutral Display




Fig 2 Unlock graphic



Fig 3 Progress bar



### Flame height adjustment


Once the fire has been started (after a period of 10 minutes) the flame height can be decreased by moving your finger clock wise or decreased moving your finger anti-clock wise using the selector wheel. Once the desired flame level is set, remove your finger from the selector wheel to transmit your selection to the receiver. Six flame levels are selectable. Press  whilst the display is active to display the current flame level.


### Turn off (shut down)

To turn the appliance off, press and hold down  until the progress bar has completed. If the  is released before the progress bar has completed the operation will cancel.

### Mode select

With the fire running on manual operation you can access three further "modes". Press  for "mode". Use the selection wheel to cycle through the three options, "Auto", "Sleep" and "Light". Press  to select "Auto" or "Sleep"


Sleep: - Use the selector wheel to choose from the available time range of 5 minutes to 1 hour 30 minutes. Once the desired countdown time has expired the appliance will turn off. By pressing the  button during the countdown will cancel the countdown timer if required.

Light: - Use the selector wheel and scroll to the "light" option. An appliance back light can be turned on or off by pressing the  button.


## PANACHE 8040 USERS INSTRUCTIONS

Note: The handset contains a sensitive temperature measurement device. To achieve the best thermostatic efficiency do not place the handset near the heat source, avoid covering, direct sunlight or near a draft or open window etc. Place the handset at a midpoint in the room or area being heated. Allow 5-10 minutes for the handset to stabilize if subjected to extremes of temperature.

### Auto (Thermostatic) Control

Press  to awaken the handset from its dormant sleep mode at any time.

#### Selecting auto control

The “auto” function can only be selected once the appliances has been started and initiated into “manual” mode. Once in manual mode, press and release the  button to enter the “mode” options. Auto is the first option, press to enter auto mode.

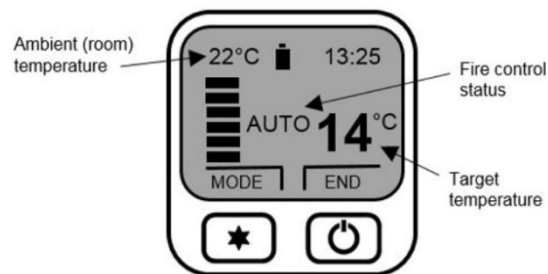


Fig 5 Auto Thermostatic mode

#### Adjusting target temperature

Use the selection wheel to increase or decrease the temperature to the desired level, release your finger from the wheel to transmit the target temperature (See Fig 5) to the receiver. The “auto” function will now modulate the flame height to achieve your target temperature. The selectable temperature range is 1 degree C to 29 degree C.

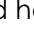

#### Cancelling auto function

Press  to “end” and cancel the “auto” control. The handset will return to manual control.



## PANACHE 8040 USERS INSTRUCTION

### Menu features

The menu can be accessed by pressing and holding the  button (approx. 5 seconds) until the menu graphic completes (see fig 6). Use the selector wheel to highlight one of the available options. Press  to enter the required option.

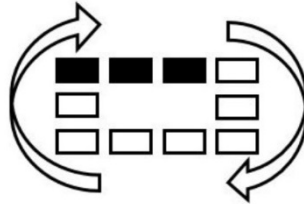
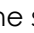





Fig 6 Menu Graphic




#### Set clock

The handset clock has a dedicated 24 hour display. Use the selector wheel to firstly set the hours. Press  to change to minutes select. Use the selector wheel to change the minutes. Press the  button to alternate hours and minutes to make any other alterations. Finally, press the  button to save the clock setting.

#### Display

Temperature display units-use selector wheel to select either Celsius (degree C) or Fahrenheit (degree F). Press the  button to save selection.

#### Gas fire (pair code)

The device screen displays the current operating channel of the handset. To delete the channel press  &  simultaneously or  to return to the menu option.

#### Reset

To restore the handset back to its original factory setting select "reset" from the menu options. Press - & - simultaneously to complete the reset command – to return to the menu options.

### Changing the Handset Batteries.

The handset operates from four AAA 1.5V batteries. New alkaline batteries are recommended. Do not mix new and old batteries. When inserting the batteries, observe and position batteries according to the battery compartment graphics (see Fig 7). When the batteries are inserted the handset will attempt to pair.



Fig 7 Battery compartment

## PANACHE 8040 USERS INSTRUCTIONS

### Cleaning the Panache 8040 Appliance

Ensure the appliance is cold before proceeding.

**The outer metal work frame** should be cleaned using a damp cloth.

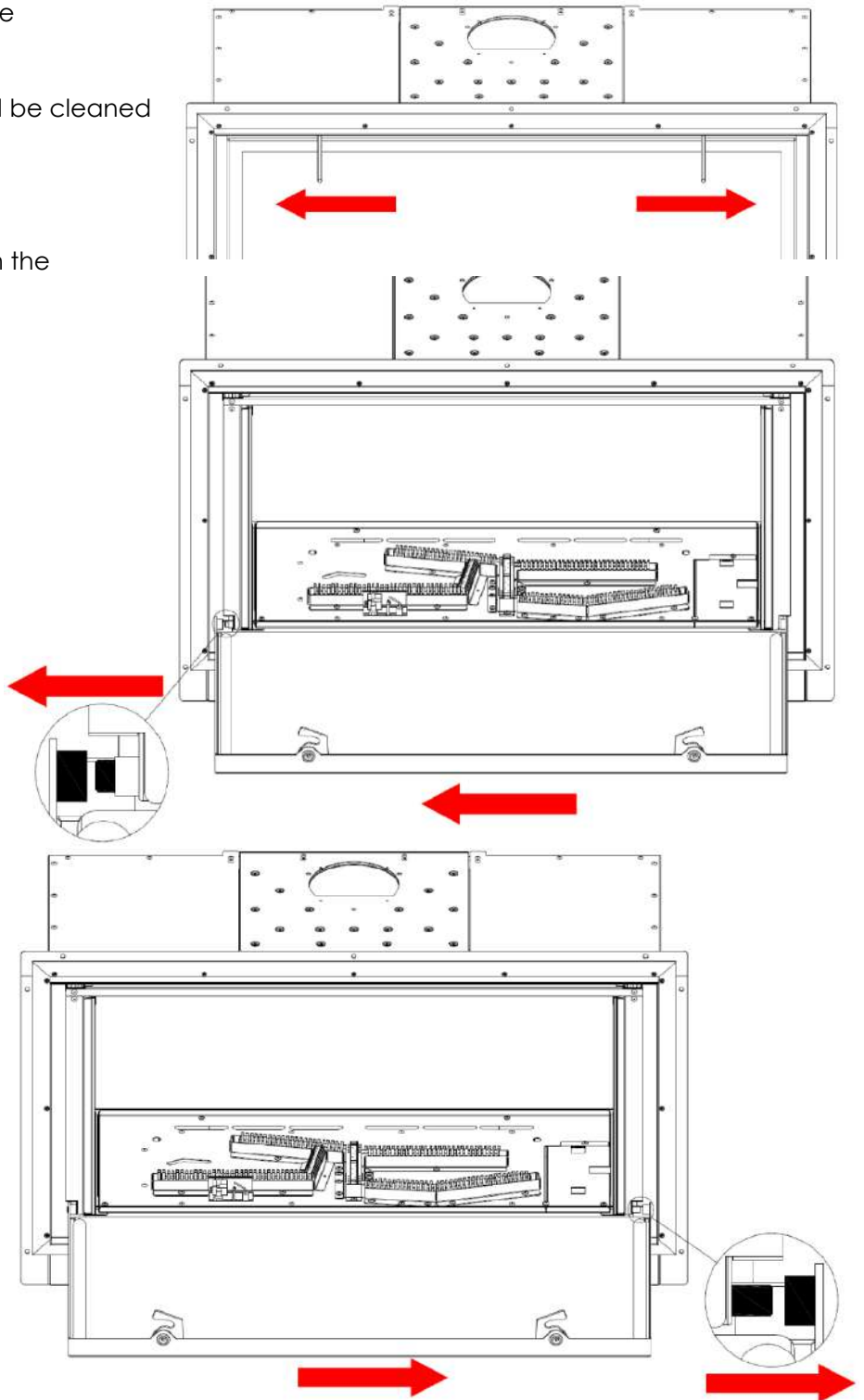
#### Removal of the glass door.

The special Allen key supplied with the appliance should be used to release the two door clasps features at the top of the door. Insert the Allen key into the nut and rotate. The left hand nut should be rotated to the left and the right hand nut to the right, as shown.

Once released, the door will open on its lower hinge. Slowly open the door until it comes to rest.

With the door clasps released, slide the door frame to the left so that it comes off the left hinge pin.

Now slide the door frame to the right so it comes off the right hinge pin. The door will now come away from the appliance.



---

## PANACHE 8040 USERS INSTRUCTIONS

Using a damp cloth and warm soapy water will remove a majority of stains. For more substantial marking we recommend the use of ceramic hob cleaner. These are available from all leading super markets. The brands of hob cleaner we have tested and found suitable are "Hob brite" & "Bar Keepers Friend". Ensure the glass is dry and re-assemble.

Note- Never operate the appliance when the glass panel is removed or broken. The glass may discolour quickly when first installed, and it should be cleaned. This is due to the burning of the refractory fuel bed shapes.

**To Clean the Pilot assembly.** Remove the glass door as described above. Remove the log and base ember shapes following the guidance on the set out below.

The pilot is located on the left hand front of the appliance, remove any debris in or around the pilot head and the aeration hole. This can be achieved using the nozzle of a vacuum cleaner. It is advisable not to blow the debris within the pilot head as this may cause more of a restriction and not rectify the problem.

Note-Take care when cleaning in this area so as not to damage the pilot assembly.

**Cleaning the fuel bed shapes.** (Please refer to customer protection information on page 3 of this booklet before cleaning or replacing any refractory materials).

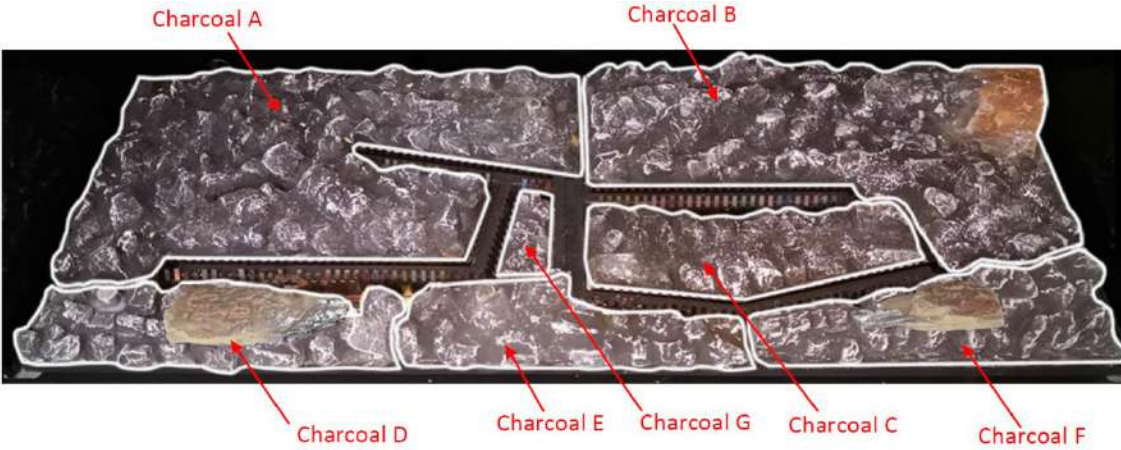
The fuel bed components are delicate and they should be handled with great care. They can be brushed very gently with a soft brush to remove dust or any deposits. A vacuum cleaner may only be used after the loose components and molded shapes have been removed from the Panache 8040 fire box.

It is important that all fuel bed shapes are positioned as shown in these instructions.

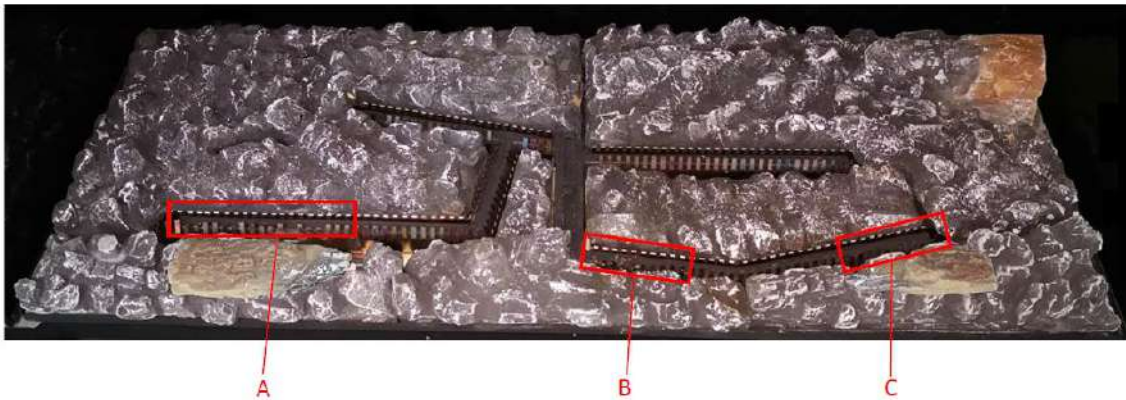
## PANACHE 8040 USERS INSTRUCTIONS

### Fuel Bed Layout

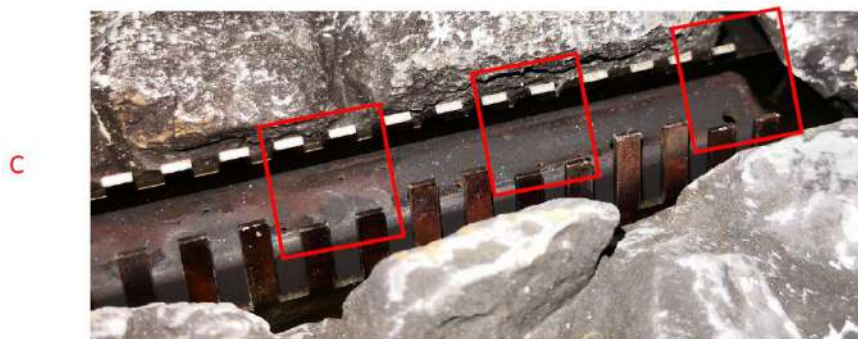
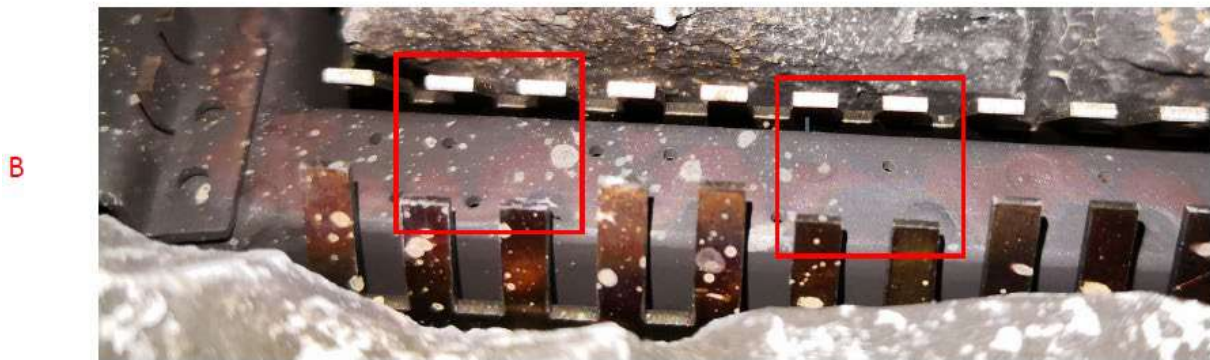
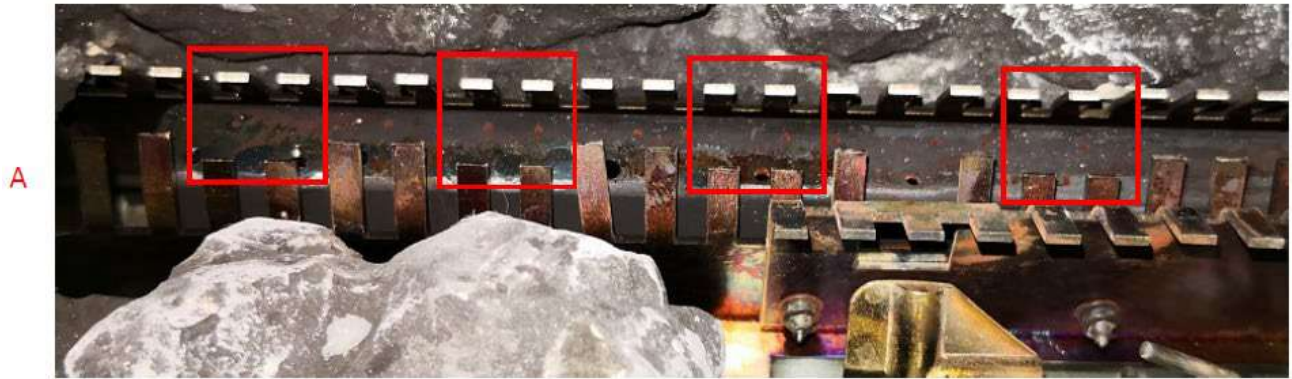
Locate charcoal ABCDEF.



Find the 9 pits in the burner fence.



## PANACHE 8040 USERS INSTRUCTIONS



## PANACHE 8040 USERS INSTRUCTIONS

Put one piece of volcanic rock on each pit. Ensure a 6-10 mm gap is left between each piece.



Put the rest volcanic rock. Ensure a 6-10 mm gap is left between each piece.



Locate log A onto the pin of charcoal A and charcoal D.



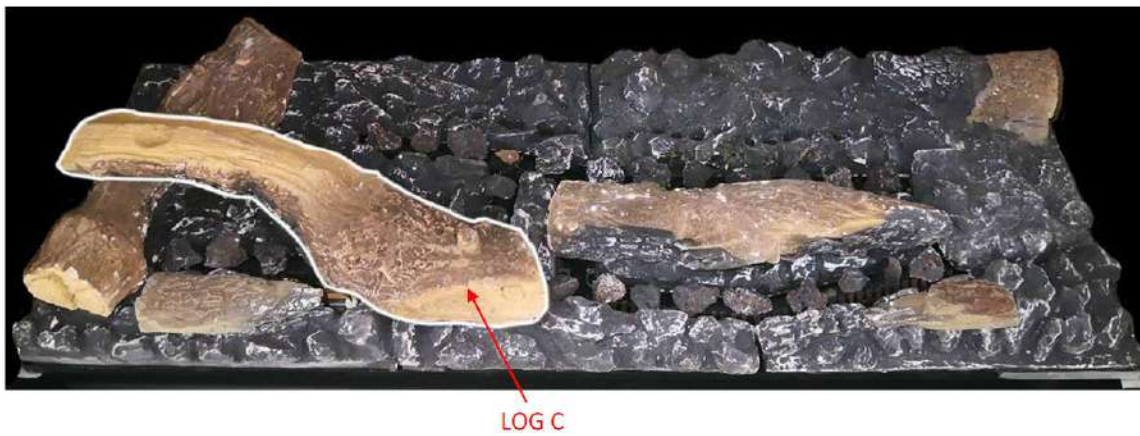
---

## PANACHE 8040 USERS INSTRUCTIONS

Locate log B onto the pin of charcoal C.

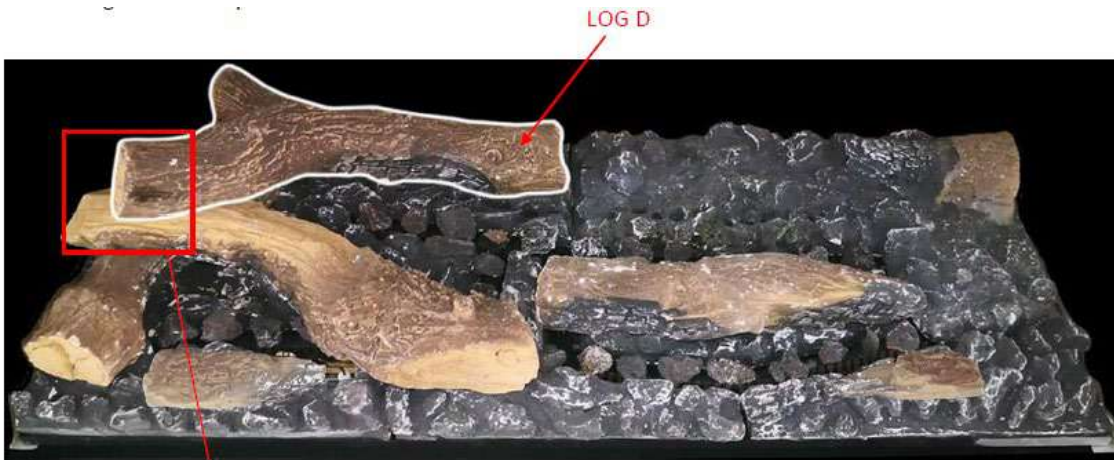


Locate log C onto the pin of log A and charcoal E.



## PANACHE 8040 USERS INSTRUCTIONS

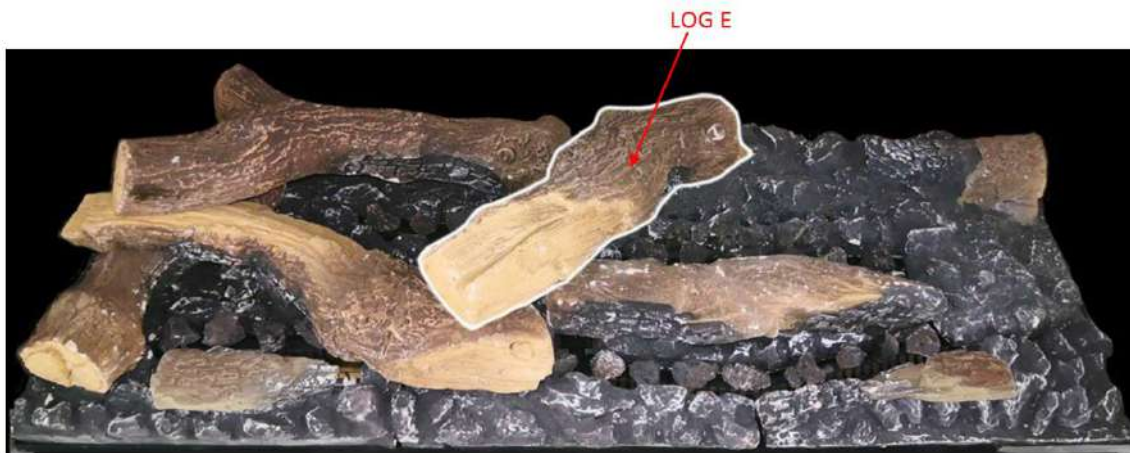
Locate log D onto the pin of charcoal A



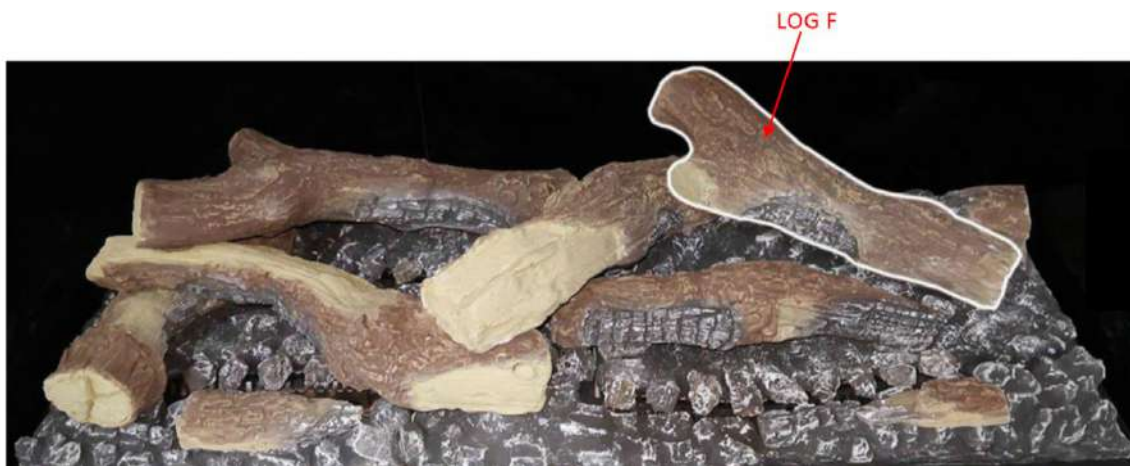


## PANACHE 8040 USERS INSTRUCTIONS

Locate log E onto the pin of charcoal B log C



Locate log F onto the pin of charcoal B log E



Locate log G



## PANACHE 8040 USERS INSTRUCTIONS

Then use the glowing ember wire supplied, ruffle between fingers to make it loose, about 20mm wide.



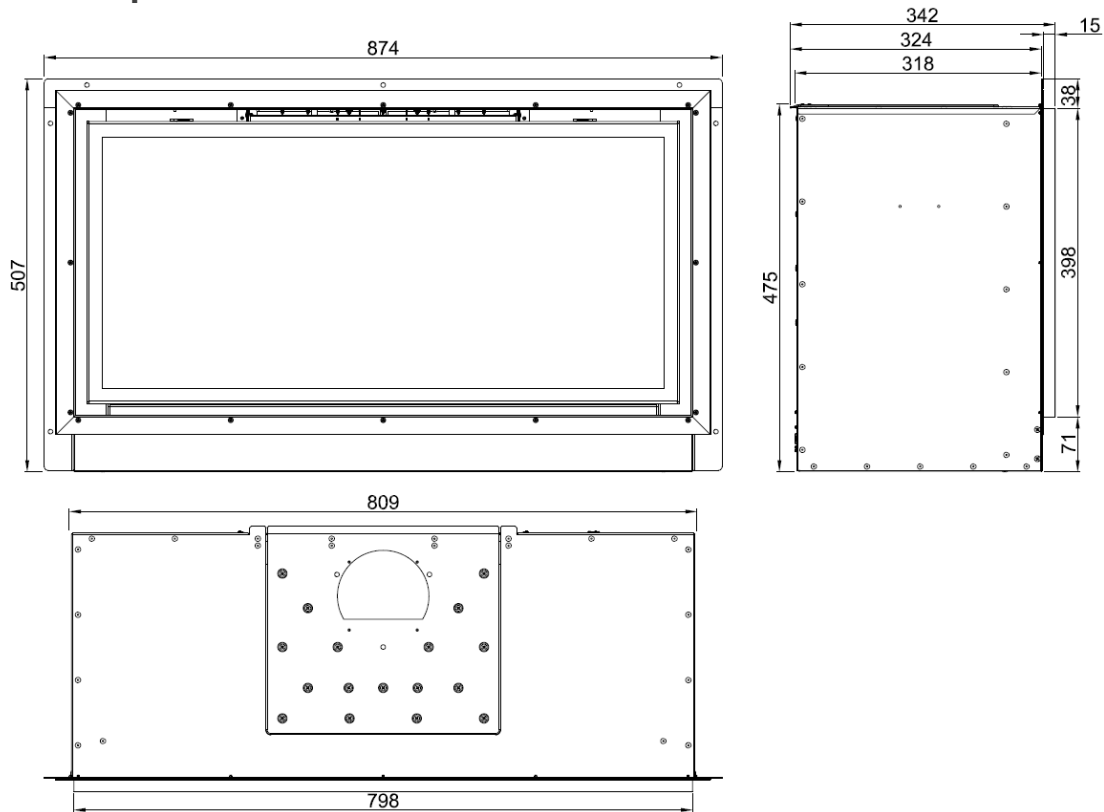
Put glowing ember behind the rock



Put thumb-nail-size glowing  
ember on the rock next to  
the pilot

## PANACHE 8040 USERS INSTRUCTIONS

### Technical Specification



Model	Gas CAT	Gas Type	Working Pressure	Injector	Gas Input	NOx Class	Oxy Pilot	Country
Panache 8040	I <sub>2H</sub>	Natural Gas	20 mbar	Size 075	6.3 KW Gross	5	2900A	UK

Note: The efficiency of the appliance has been measured as specified in BS EN613:2001 and the net efficiency rate is 70.6% for natural gas the gross calorific value of the fuel has been used for this efficiency calculation. Gastec have certified the test data from which it has been calculated. The efficiency value may be used in the UK Government's Standard Assessment Procedure (SAP) for energy rating of the dwelling.

Packaging Check List
1 x Glass Door Assembly
1 x Boxed Fuel Bed
1 x Transformer Plug
1 x Emergency Power Battery Adaptor
1 x RF Handset
4 x AAA 1.5V Batteries
Flue Closure Plate
Flue Spigot

---

## PANACHE 8040 INSTALLATION INSTRUCTIONS

### Siting the Appliance

#### Regulation and warnings

This appliance must only be installed in the UK.

The appliance is suitable for use on Natural Gas only.

When fitted in the UK the fire does not normally require purpose provided ventilation.

In UK it is the law that all gas appliances must be installed by a competent person GAS SAFE registered installer, in accordance with the Current Gas Safe (installation and user) Regulations. All relevant parts of the local and national building regulations and all relevant recommendations of the following British standards. Failure to do so could lead to prosecution.

The following are relevant codes of practice and British Standards:-

B.S 5871

B.S 5440 Part 1 & Part 2

B.S 6891

This appliance must be installed to current versions of the above standards and include any relevant amendments to:-

The building regulations issued by the department of the environment.

The building standards (Scotland) (Consolidated) Regulations issued by the Scottish development office.

Prior to installation ensure that the local distribution conditions (identification of the type of gas and pressure) and adjustment of the appliance are compatible G20 @ 20 mbar.

The front of the fire act as a dress guard, conforming to BS 1945 (1971) and satisfies the heating appliance regulations (1991). However, a guard conforming to BS6539 (1984) must be used to protect young children, the elderly or infirm.

This appliance incorporates a safety device in form of an oxygen depletion system. It must not be adjusted or put out of operation. This is a non – serviceable item and must be exchanged as a complete assembly using only the original manufacturer's part.

A suitable proprietary fire surround with a 150 degree C minimum rating is required.

**Please note-To ensure reliability of operation within a chimney, we strongly recommend that the appliance is fitted in conjunction with a 5" (125mm) suitable flexible lining. Please follow the guidance stipulated on page 22 (method 2) direct connect to the appliance and terminate the flue using a standard 5" (125mm) GC1 cowl.**

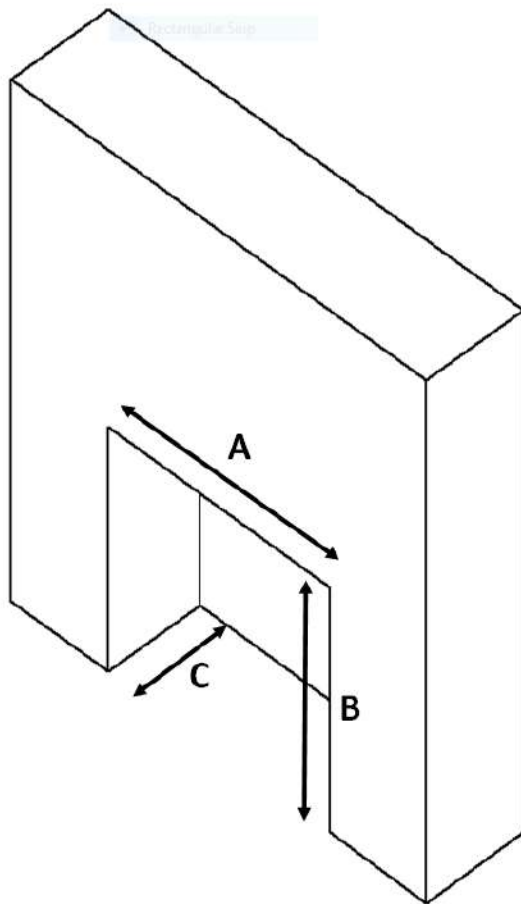
## PANACHE 8040 INSTALLATION INSTRUCTIONS

### Class One

That is a conventional brick or stone chimney as used for a solid fuel appliance with an effective cross sectional dimension of 225 x 225mm or a lined flue with a minimum diameter of 125mm. The chimney must have a minimum effective height of at least 3 meters. Any permanent flue restriction or variable damper are to be removed or locked fully open. The chimney should be swept prior to installation if it has previously been used with a gas appliance or if it is a new installation.

The Panache 8040 is designed to be fitted into a class one flue with a fireplace which will require a 25mm rebate. The other option is hole in the wall which can be plastered up to the edge of the fireplace frame or fitted with wall mounted noncombustible slips or four sided trim options.

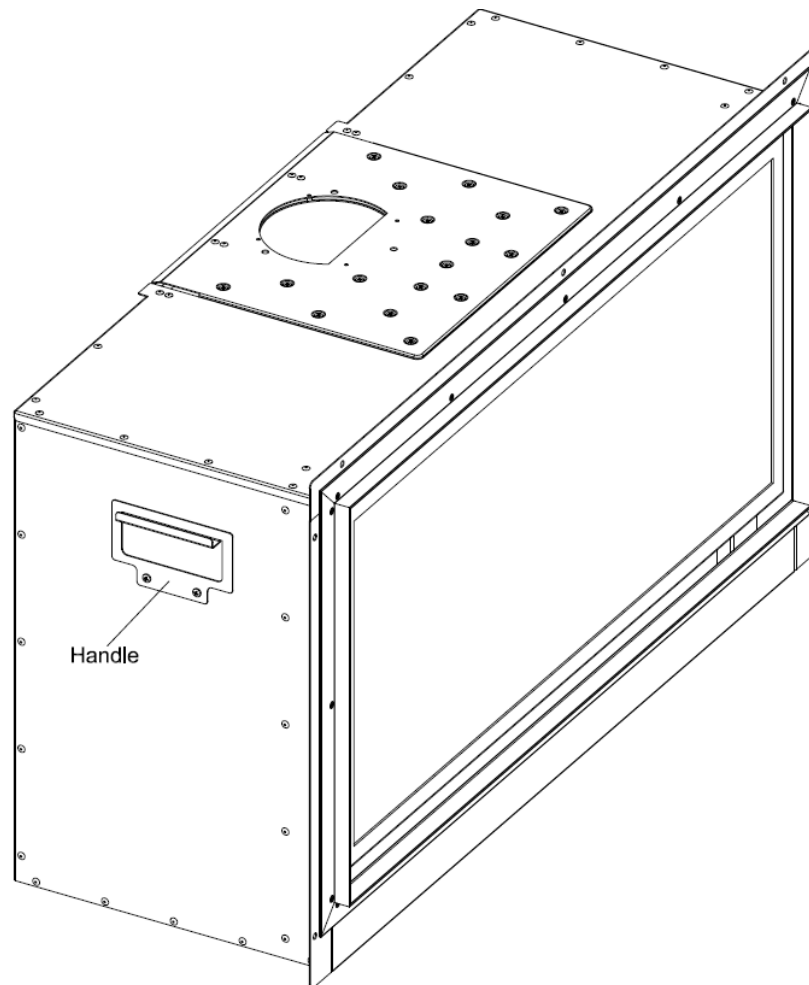
### Builder's opening aperture size requirement



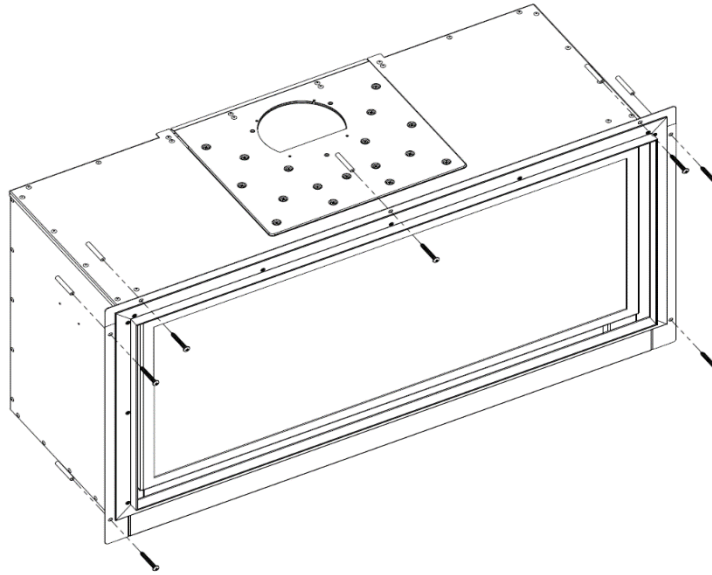
8040	Min	Max
A	815	840
B	485	490
C	374	NA

## PANACHE 8040 INSTALLATION INSTRUCTIONS

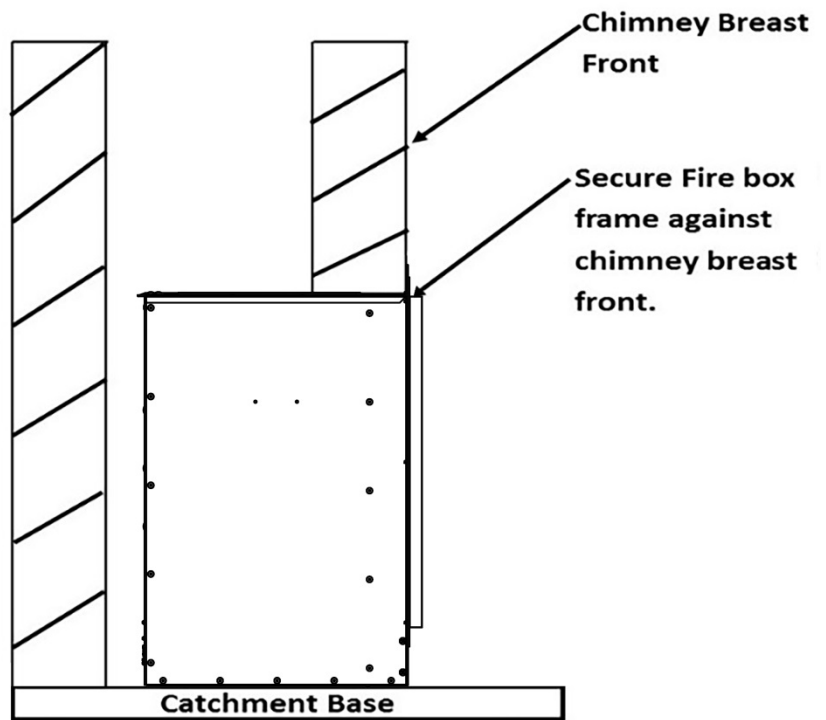
The appliance has two handles, one on each side, as shown in the diagram below. These handles are for initial handling only, they should be removed prior to the installation into the fire-place opening.



## PANACHE 8040 INSTALLATION INSTRUCTIONS



Please note the fire box height from the floor may well vary dependent on the fireplace surround design or the hole in the wall height required. Check the fireplace details first. Slide the fire box back into the catchment area and secure the fire box against the front face of the chimney breast. The fire box flange as seven 6mm fixing hole, use these hole to retain the fire box back against the wall using suitable raw plug and screws.



## PANACHE 8040 INSTALLATION INSTRUCTIONS

### Installation with a flexible liner

The Panache is designed for installation within the masonry chimney or with a 125mm flexible liner.

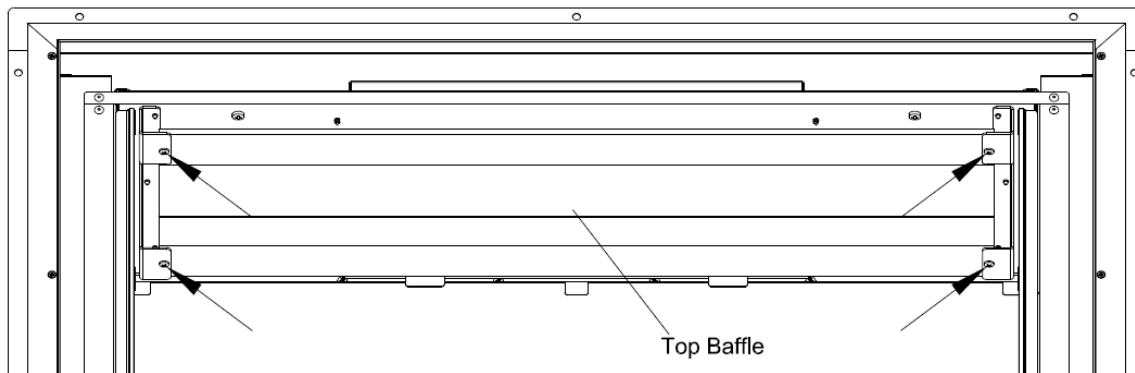
If the flexible liner option is required the following two methods should be followed.

#### Method 1

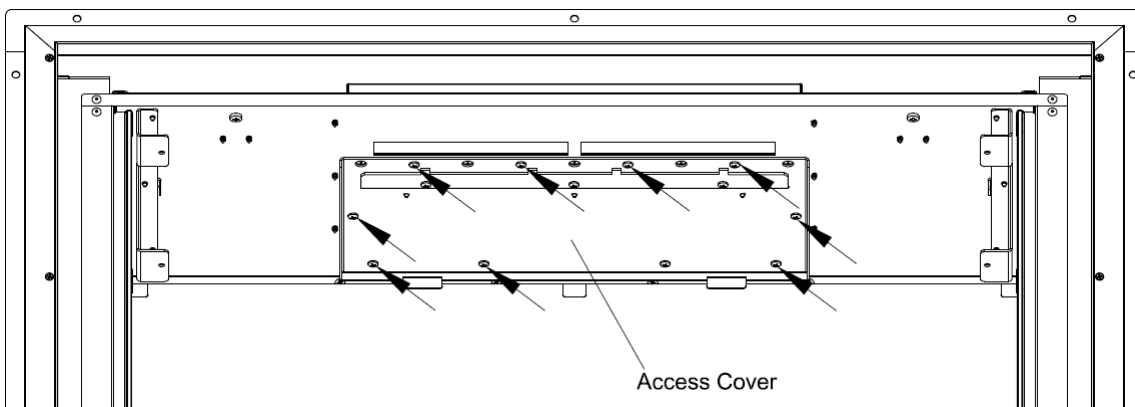
A 125mm minimum diameter liner conforming to BS 715 may be used. Providing a suitable sealing plate is fitted to the base of the liner and the appliance does not restrict the opening into the liner. Ensure a smooth lead into the flue way and no combustible materials are used. A void of 50mm must be maintained from the top of the firebox into flue.

#### Method 2

Remove the 4 screws to remove the top baffle.



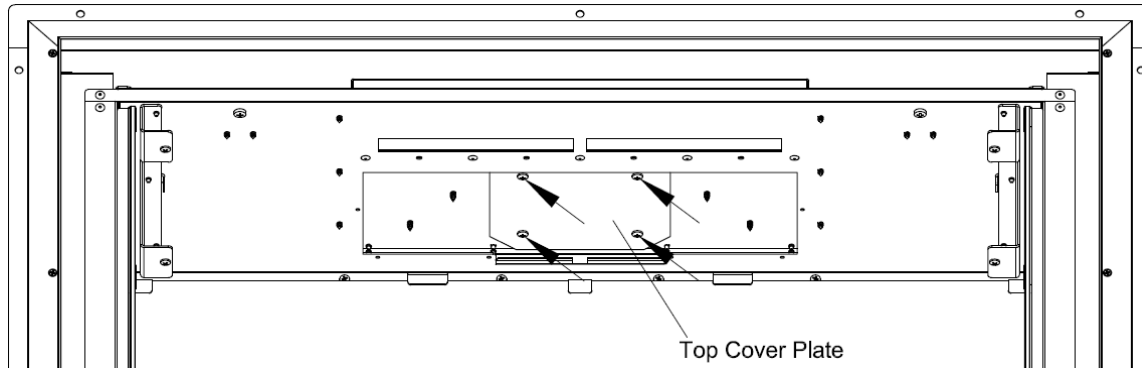
Then remove the 10 screws to remove the access cover.



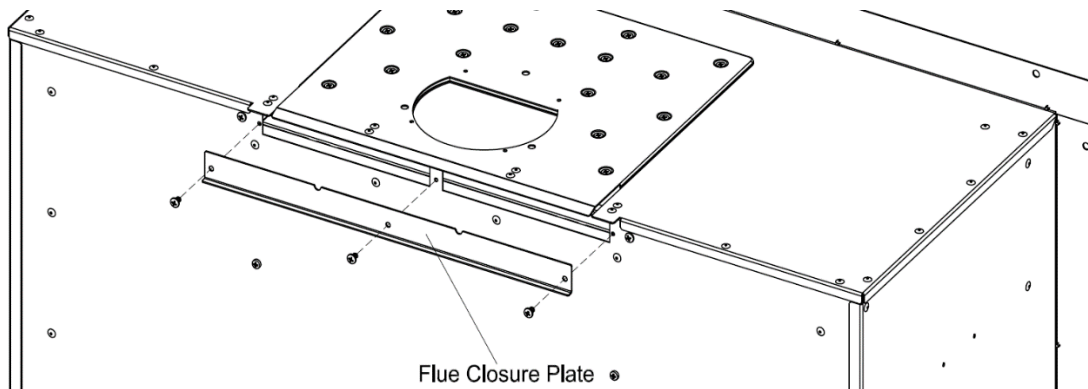


## PANACHE 8040 INSTALLATION INSTRUCTIONS

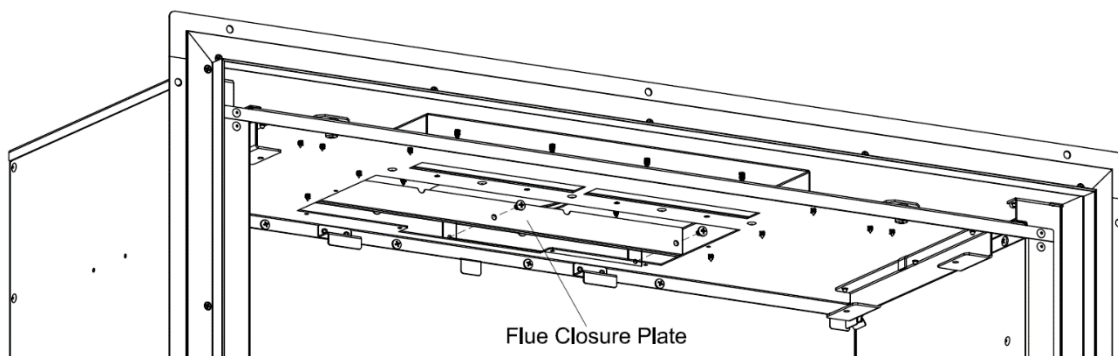
Remove the 4 screws and take off the top cover plate.



Fit the flue closure plate with the 3 screws provided.

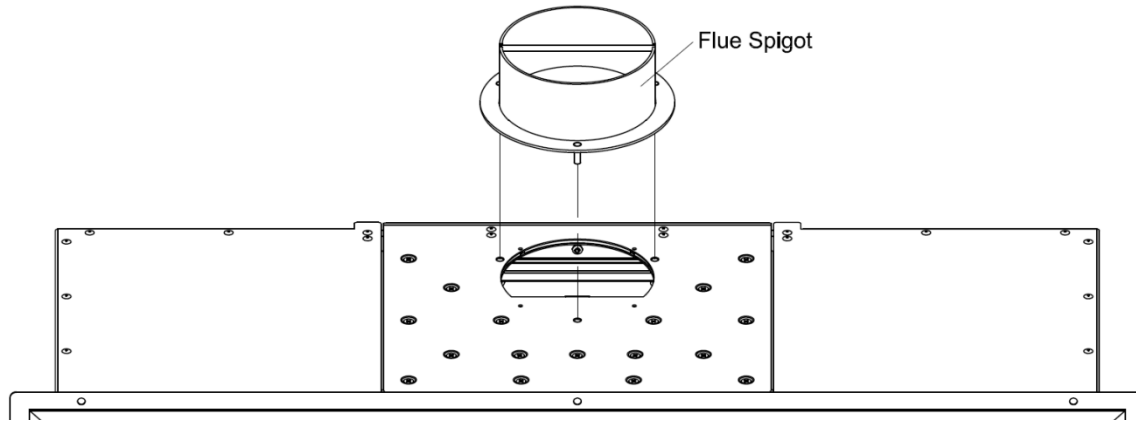


NOTE: The flue closure plate can also be fitted from the inside of the appliance, if spillage occurs with the appliance fitted but without the 5" flue liner fitted- see page 31.

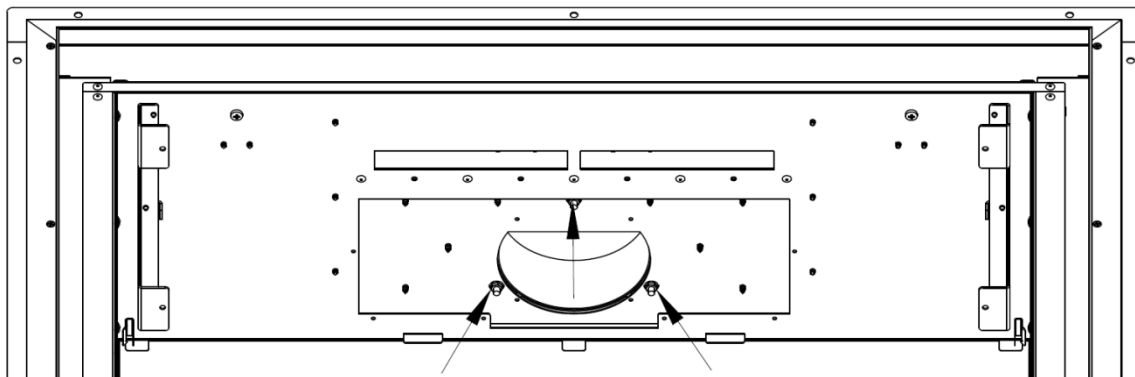


## PANACHE 8040 INSTALLATION INSTRUCTIONS

The flue spigot should first be fitted to the base of the 5" flexible liner. An adjustable clamp band is supplied to secure the liner to the spigot. Then from inside the appliance, using the grab handle within the spigot, pull the liner downwards and locate the studs into the correct position.



Secure with the 3 nuts supplied using the socket driver.



Finally, refit the access cover and the top plate.

## PANACHE 8040 INSTALLATION INSTRUCTIONS

### Checking the flue fire opening and fire opening.

Check that the chimney conforms to the required specification as previously stated. Examine the condition and carry out any remedial work including removing any debris from the base.

If the flue has been used for solid fuel it should be swept prior to installation.

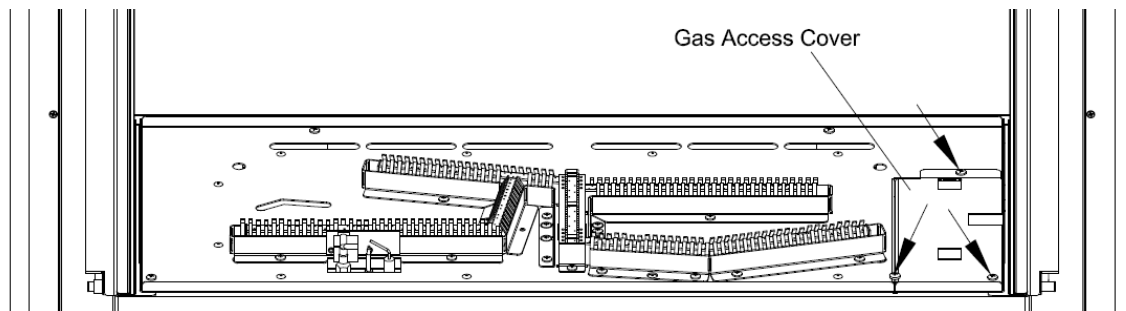
Prior to installing the appliance a smoke test (using a bomb) should be carried out to check that satisfactory smoke clearance has been established. If all the smoke is not drawn into the flue, pre-heat the flue with a blowtorch or similar and retest. If there is any uncertainty examine for the cause and if necessary seek expert advice.

When installing the appliance against a dry lined plasterboard wall ensure that the void between the plaster board and wall is sealed with a non-combustible material.

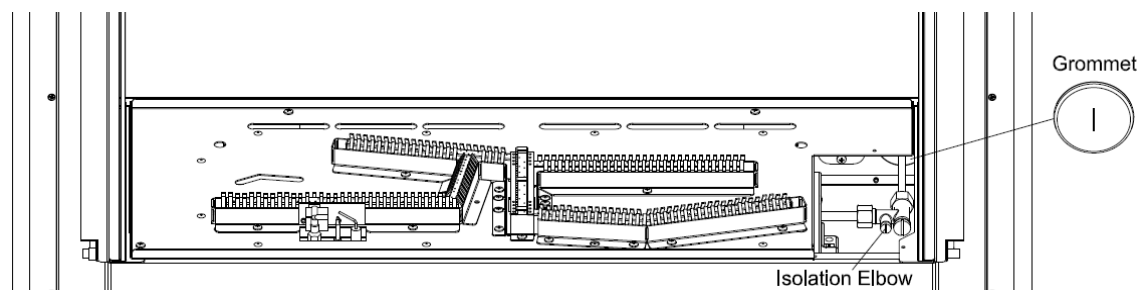
No combustible material should be fitted inside the fireplace opening.

### Making the gas connection.

Remove the 3 screws to remove the gas access cover.



Fit isolation elbow to the inlet pipe as shown below. The grommet will need to be cut and engaged within the firebox to form an air tight seal around the inlet gas supply pipe. Then refit the gas access cover.



---

## PANACHE 8040 INSTALLATION INSTRUCTIONS

### Power lead routing

The power supply for this appliance is provided via AC power adaptor 230 VAC. The main cable terminates the rear Right hand side of the fire box. The length of the cable provided with the appliance is 1.65 meters. Care must be taken when siting the fire box not to trap the exposed main cable within the builders opening.

The cable can be routed using the following two methods.

#### Method 1

Passing the cable through the side of the chimney breast. It is good practice to run the cable within a sleeve of at least 15mm internal diameter, sealing the sleeve using a suitable sealant at the point the sleeve / cable terminates the chimney masonry.

#### Method 2

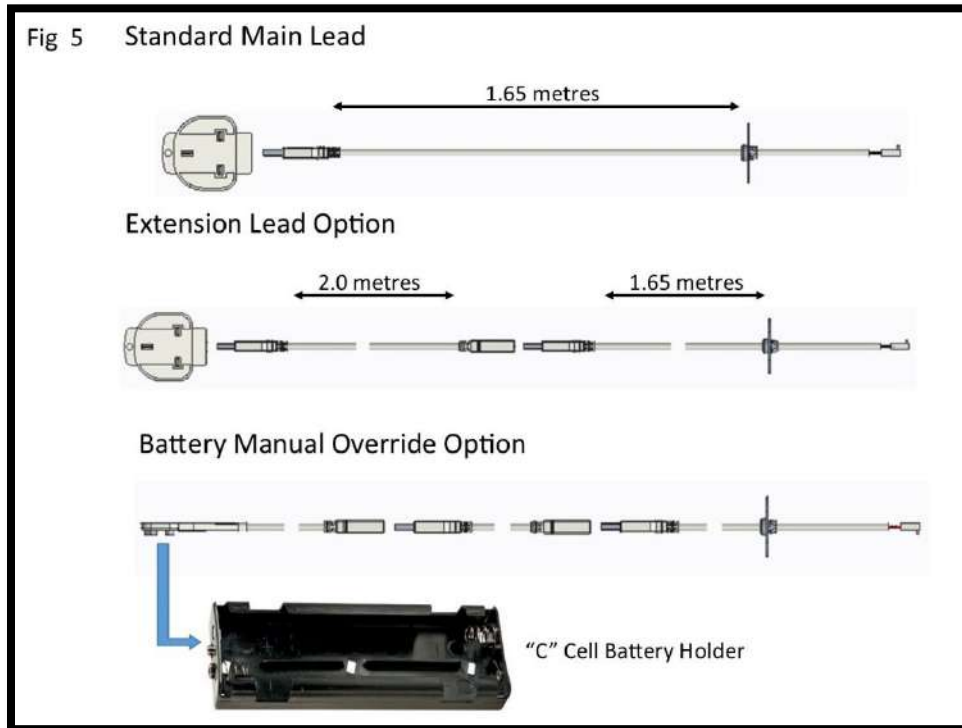
Remove a channel out of the outer skin of the Dry / wet plaster of the chimney breast up to the main power point. Again it is good practice to run the cable within a sleeve of at least 15mm internal diameter.

With power points that exceed the 1.65 meter distance, an optional 2.0 meter extension cable is available Part No 7147.

The cable system consists of retro fitting plug sockets which offers the following options. (Please see figure 5).

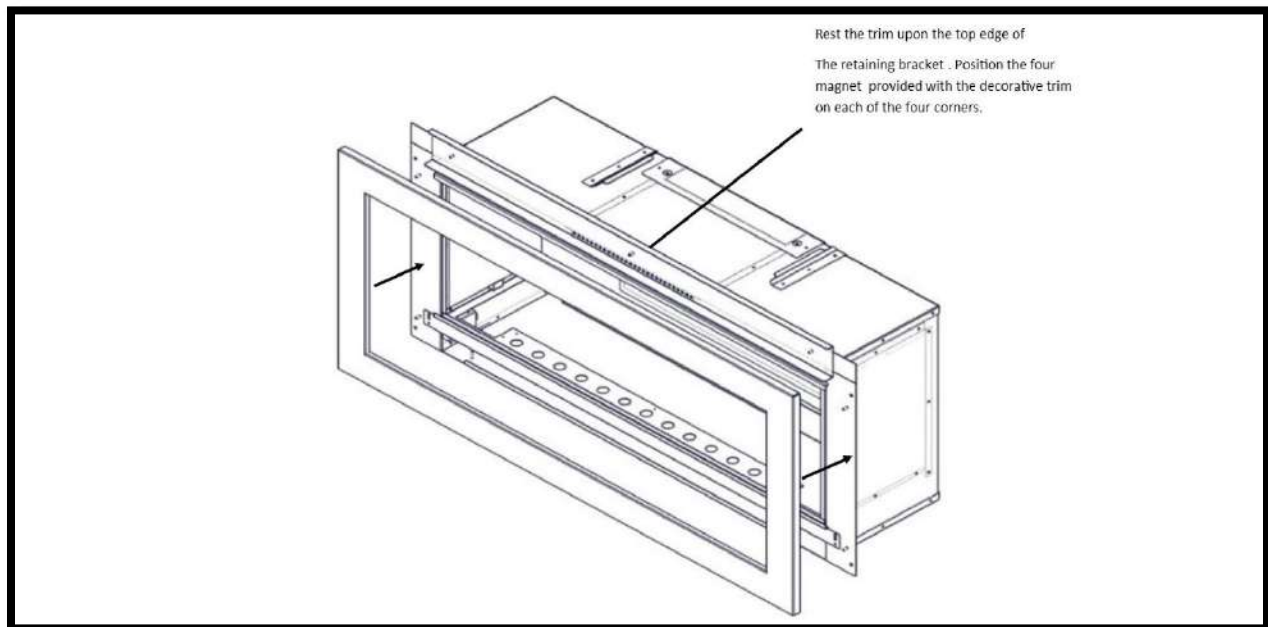
## PANACHE 8040 INSTALLATION INSTRUCTIONS

The battery manual override option is a backup supply in case of a power failure / power cut to the property. The battery holder and adaptor lead are provided within the packing of the appliance. (Please note that the "C" cell batteries are not included). It is good practice to demonstrate the battery option to the customer during the commissioning process.



## PANACHE 8040 INSTALLATION INSTRUCTIONS

### Four sided trim.



Position the four magnets provided with the decorative trim on each of the four corners of the fire box flange.

Using the slip frame as an internal guide locate the trim over the frame and fix into position using the four magnets.

## Commissioning the Appliance

### Checking gas soundness and running pressure.

Turn on the supply to the appliance and check for soundness in accordance with the current codes of practice.

Turn off the gas supply at the external isolation valve.

Remove the pressure test point screw from the inlet elbow and connect the pressure gauge.

Turn on the gas to the appliance at the isolation valve.

Light the appliance as described in the user instruction section. Page 5 turn on (startup).

Check the inlet pressure is 20 mbar +/- 1.0 mbar for natural gas with other appliances running.

Turn off gas supply, at the isolation valve. Disconnect the pressure gauge and replace the pressure test point screw.

Turn on the appliance and check the pressure test point for soundness with detection fluid.

## PANACHE 8040 INSTALLATION INSTRUCTIONS

### Fuel Bed Layout.

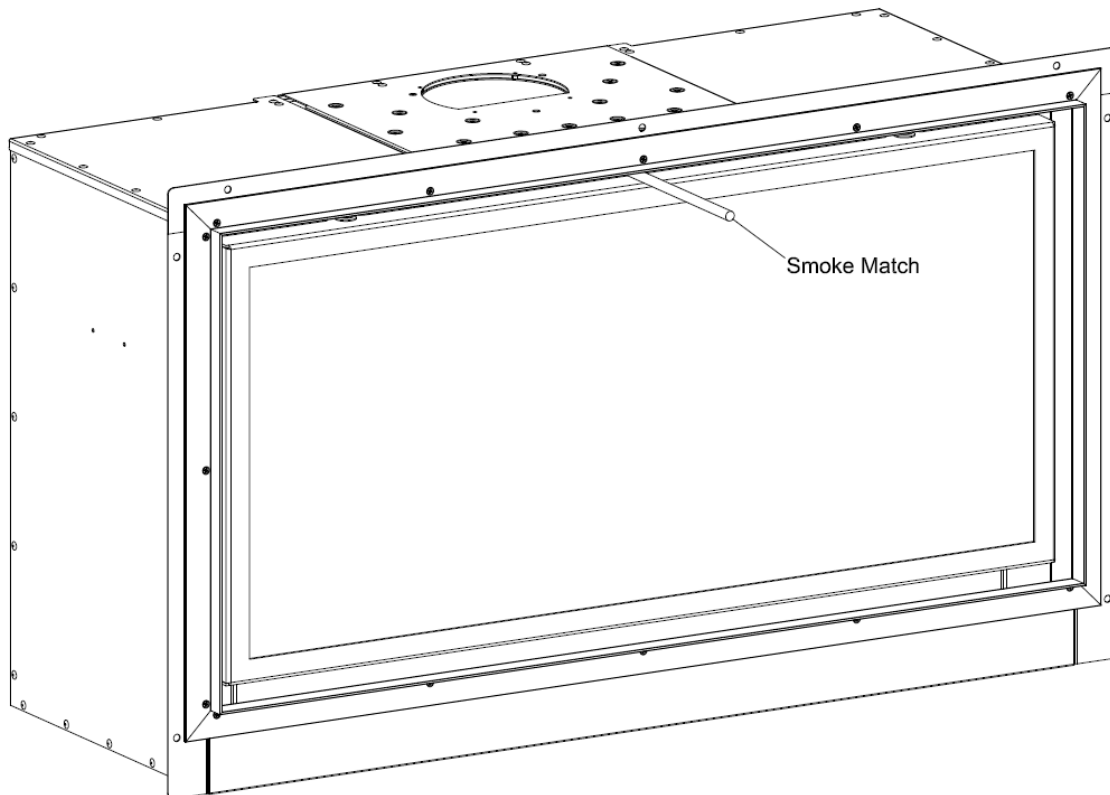
Fuel bed layout should be fitted using the guidance stipulated on pages 11-17 of the User Instruction section.

### Fitting the glass door

Follow the guidance on page 9 of the User instruction section.

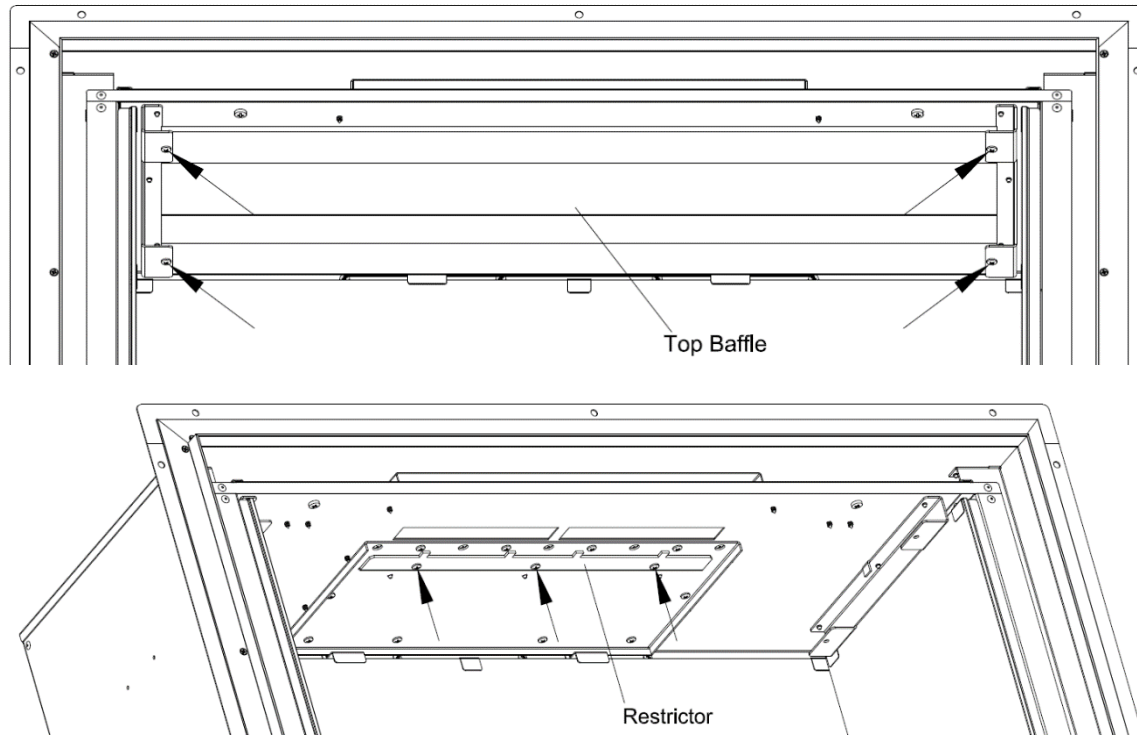
### Spillage Test Procedure.

To check for satisfactory clearance of products of combustion, close all doors and windows and leave the appliance burning on HIGH for five minutes. Using a smoke match holder, insert the smoke match about 50mm into the gap at the top centre of the fire. Traverse the match across the length of the draft diverter. All the smoke must be drawn into the flue. If spillage occurs allow a further 5 minutes and repeat the test.



## PANACHE 8040 INSTALLATION INSTRUCTIONS

If spillage still occurs then the restrictor at the top of the appliance can be removed to ease flow of combustion products. Remove the 4 screws to remove the top baffle. Then remove the 3 screws to remove the restrictor. The restrictor is not used any longer. Refit the top baffle and glass door, and repeat the test.



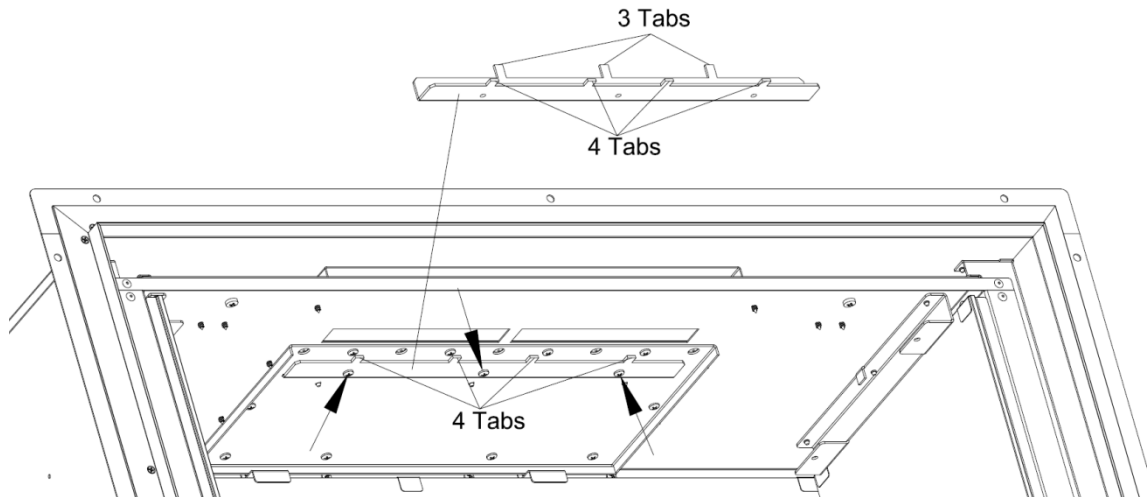
If the appliance still fails it may be necessary to install a 5" flue liner (if not already fitted) – see page 24. If the unit continues to fail this test, turn off the appliance and seek expert advice.

If an extractor fan is situated in the room the spillage test should be repeated with the fan running. If there is a connecting room with an extractor fan the test should be repeated with all the doors to that room open and the extractor fan running.

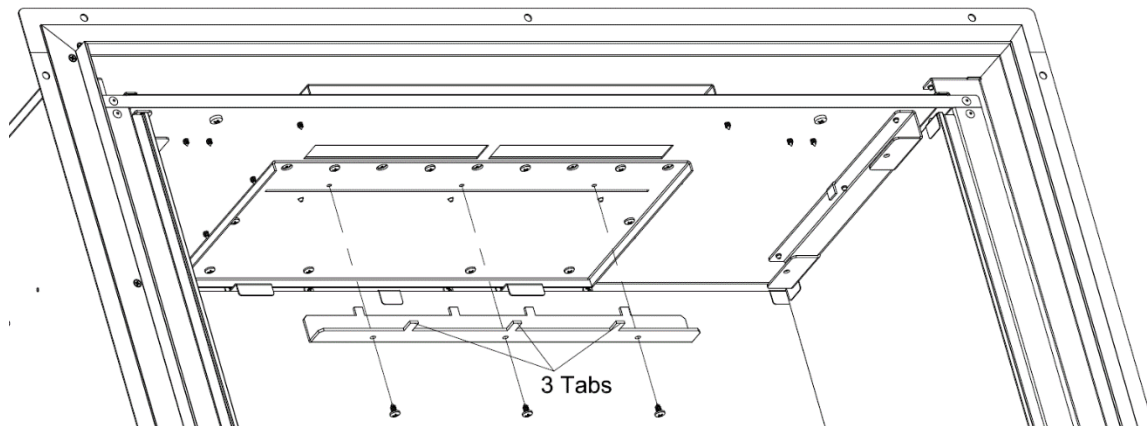


## PANACHE 8040 INSTALLATION INSTRUCTIONS

If 7" and above flue system is used or the flue pull is too strong, proceed with instruction below. There are 2 flanges on the restrictor. One has 3 tabs. The other has 4 tabs. For factory setting, the 4 tabs flange is fitted by 3 screws.



Remove the restrictor by removing the 3 screws and fit the flange of 3 tabs with the screws.



---

## PANACHE 8040 INSTALLATION INSTRUCTIONS

### **Advise The Customer.**

The glass front of this fire acts as a dress guard conforming to BS 1945 (1997) and satisfies the heating appliance regulations (1991) however; a fireguard conforming to BS6539 (1997) must be used to protect young children, the elderly, or infirm.

During initial "burn off", an odour may be evident during the first few hours of use. This is due to the surface coating on the metal work "burning off". The odour produced is harmless and will disappear after a short period of time.

Any debris should be cleared from the appliance.

The appliance should be serviced annually by a Gas Safe registered engineer in accordance with the Service instruction section.

Point out the position of the power source for the appliance, plus demonstrate using the additional battery holder and adaptor lead, the battery backup option. ("C" cell batteries not included within this appliance).

Demonstrate the lighting and extinguishing procedures to the user and the removal and refit of the glass panel for cleaning and the fitting of the battery backup kit.

Hand these instruction over to the user along with the battery holder, adaptor lead plus M4 nut runner for the removal of the glass panel.

## PANACHE 8040 SERVICE / FAULT FINDING INSTRUCTIONS

### Annual Service Requirement.

#### General

Servicing should be carried out annually by competent person whose name appears on the gas safe register. All Gas Safe engineers should possess an ID carrying the logo below.



Before commencing any service or replacement of part, turn off the gas supply to the fire. After servicing check for gas soundness.

When ordering spare parts please quote the appliance name and serial number.

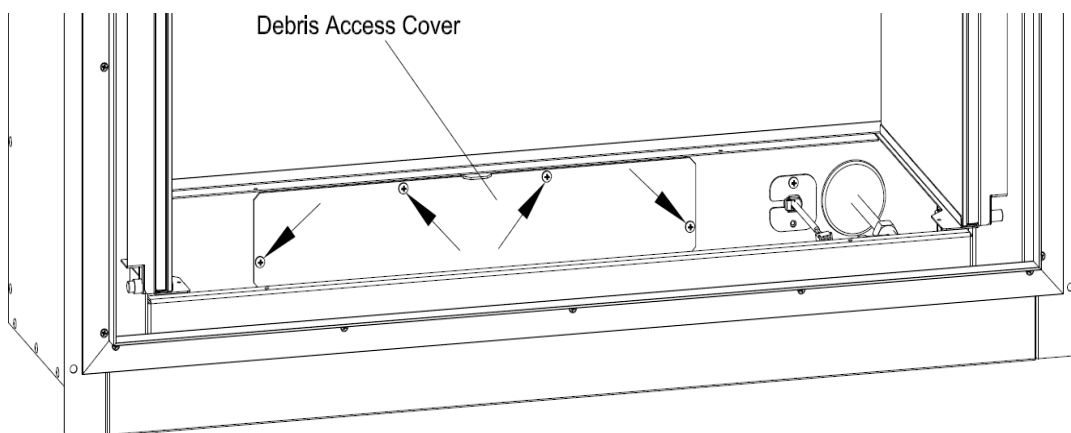
#### Check for debris

At least once a year check for debris in the catchment area behind the fire and in the flue way. To undertake this check the following procedure should be followed.

Remove the glass door assembly by following the guidance on pages 9 of the users instruction section.

Remove the log shapes and the burner tray. Refer to the guidance below removal of the burner tray.

Remove the 4 screws in the diagram below to remove the access cover. This will reveal the access for debris removal.



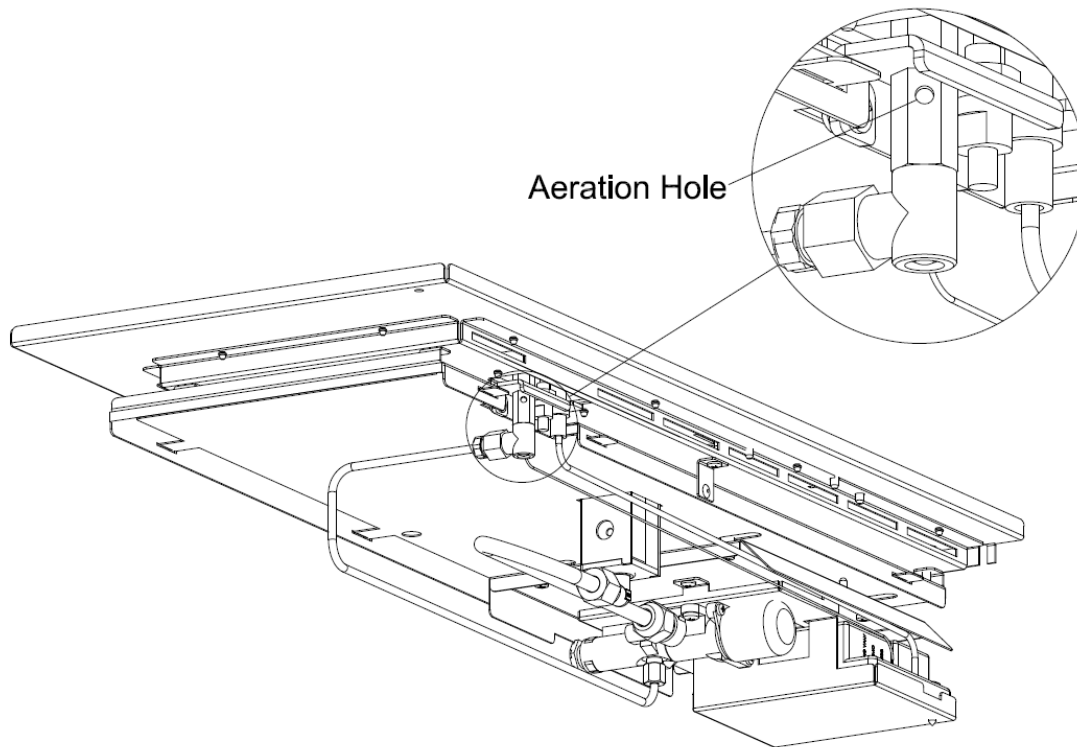
---

## PANACHE 8040 SERVICE / FAULT FINDING INSTRUCTIONS

### Pilot Linting

Follow the guidance below removal of the burner tray.

Check the pilot aeration hole for linting, use a vacuum clearer nozzle taking care not to damage the pilot head. Do not blow compressed into the pilot as this can lodge debris in the pilot body.

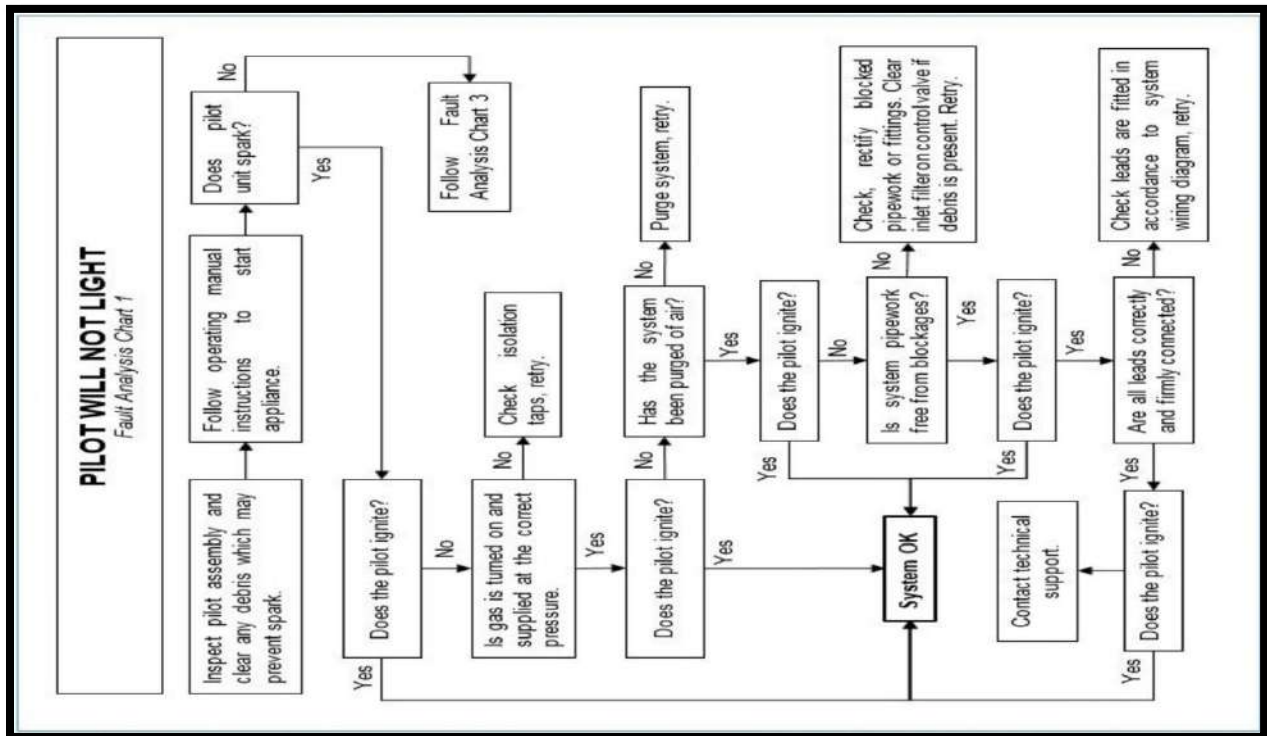
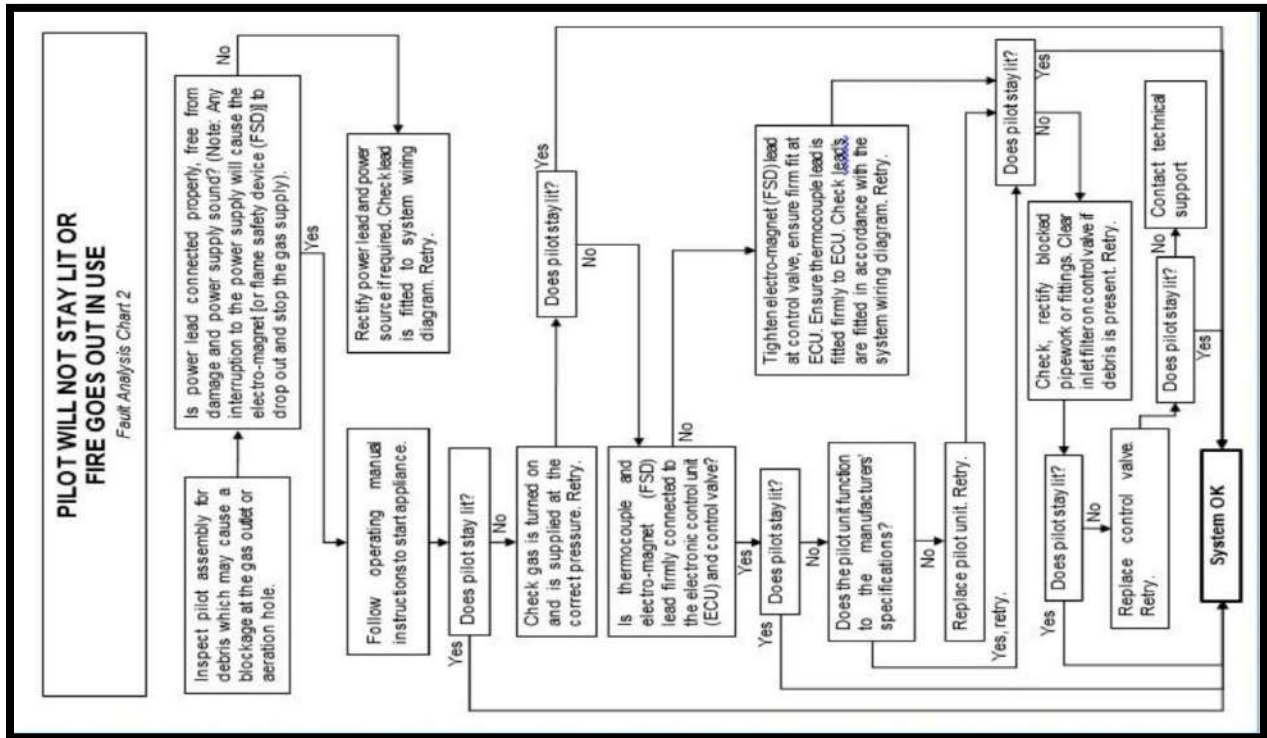


### Electrode Gap

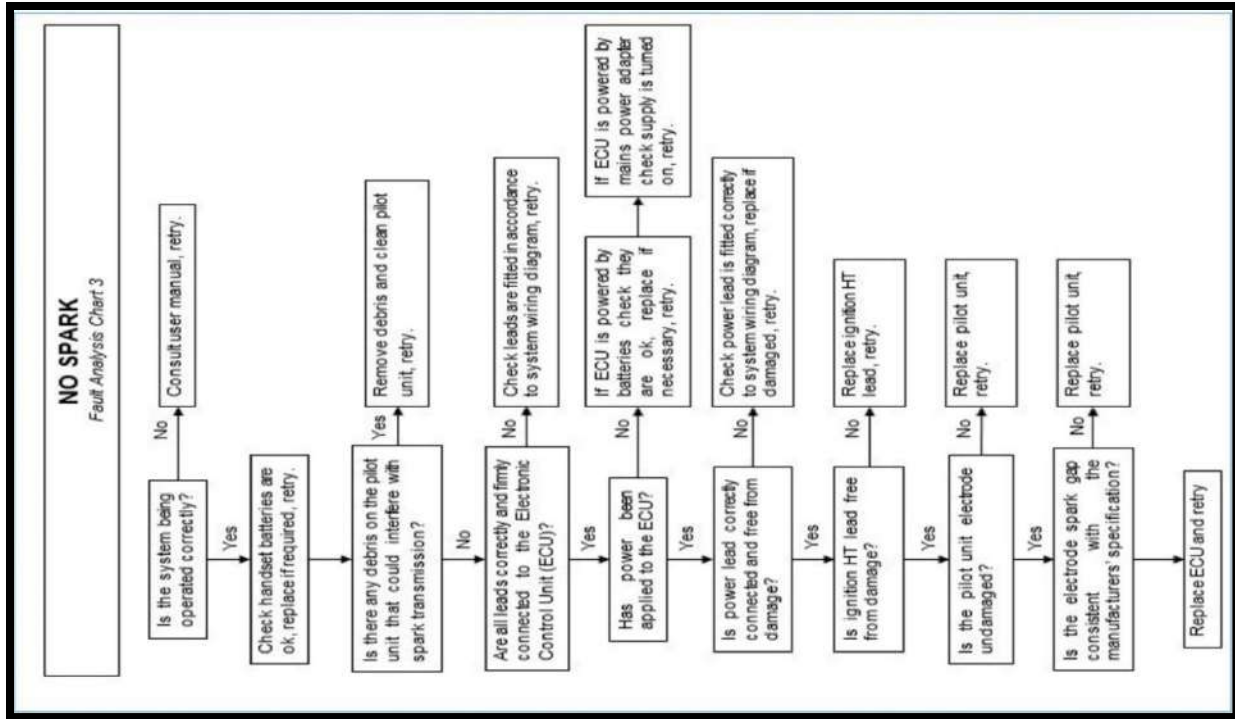
The electrode gap should be 4mm from the tip of the thermocouple probe head to the end of the electrode wire.

PANACHE 8040 SERVICE / FAULT FINDING INSTRUCTIONS

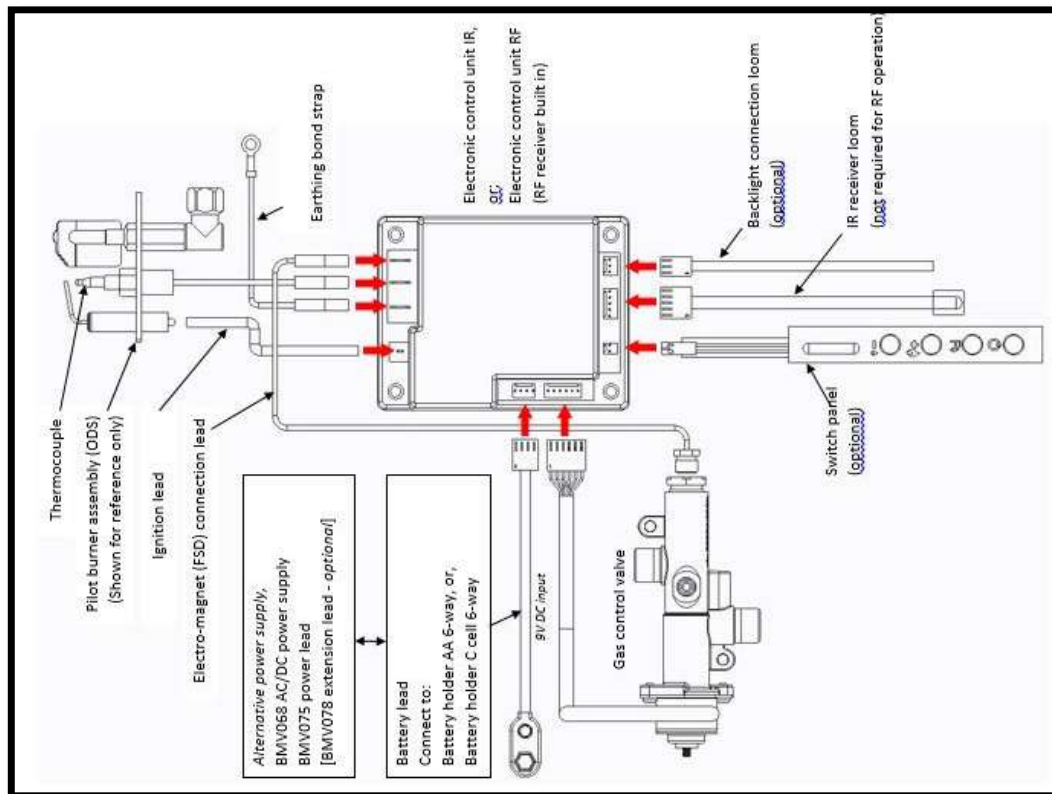
Fault Finding Charts



PANACHE 8040 SERVICE / FAULT FINDING INSTRUCTIONS



## Wiring Diagram

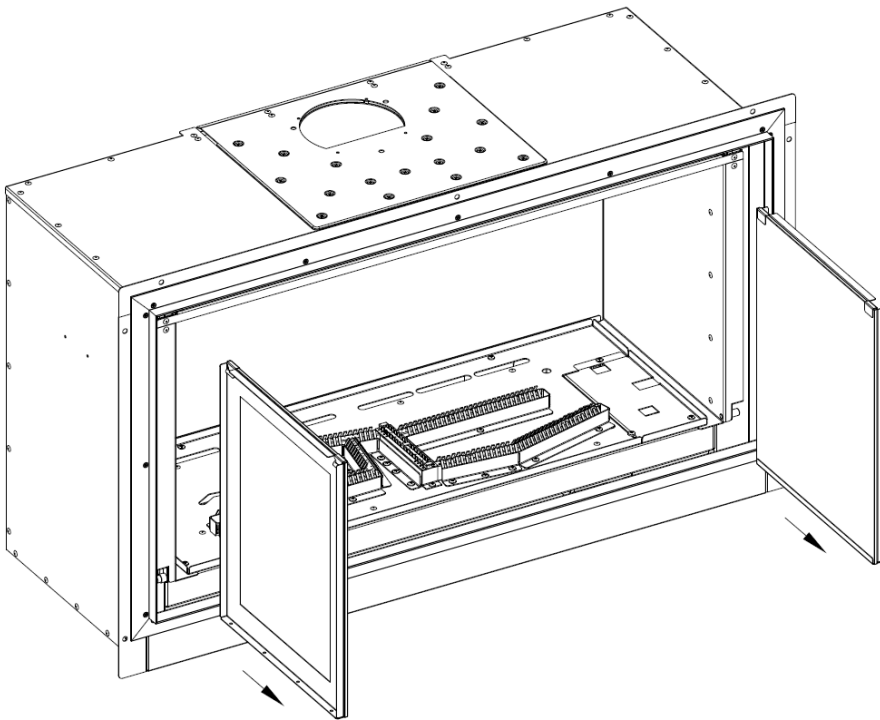


## PANACHE 8040 MAINTENANCE INSTRUCTIONS

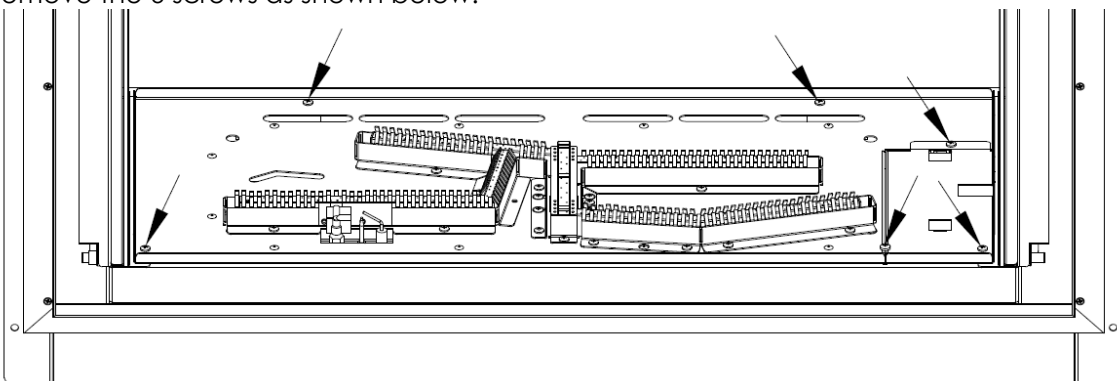
## Maintenance

### To Remove the Burner Tray

Remove the glass door (see page 9) and the log shapes. Pull the left & right hand side glass panels through the front of the fire box assembly.

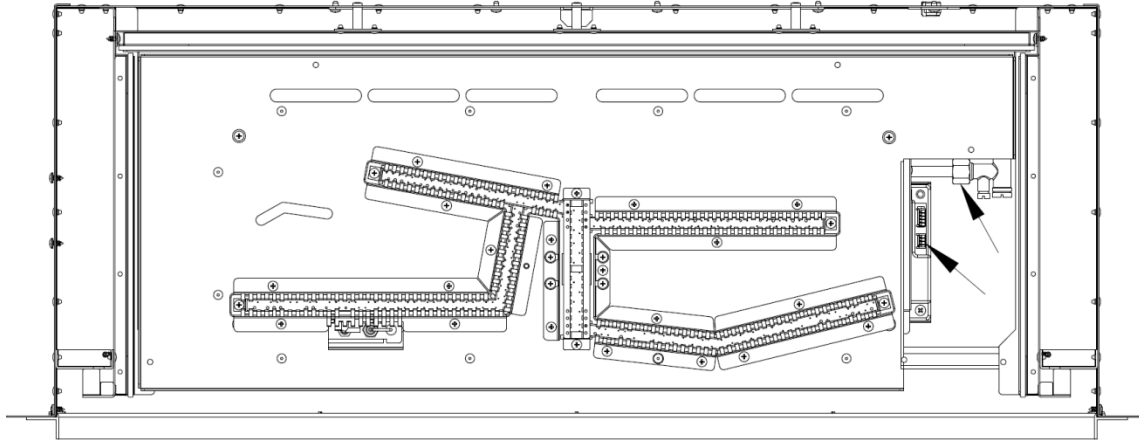


Remove the 6 screws as shown below.

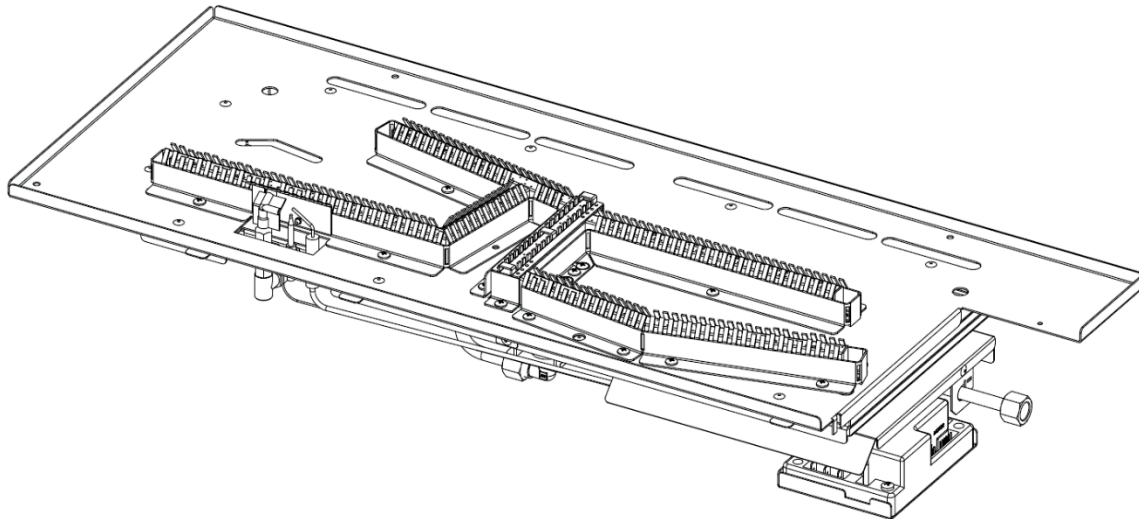


## PANACHE 8040 MAINTENANCE INSTRUCTIONS

Disconnect the gas supply from the Isolation Elbow. Remove the tube nut and the power lead harness.



Carefully remove the burner tray from the firebox.

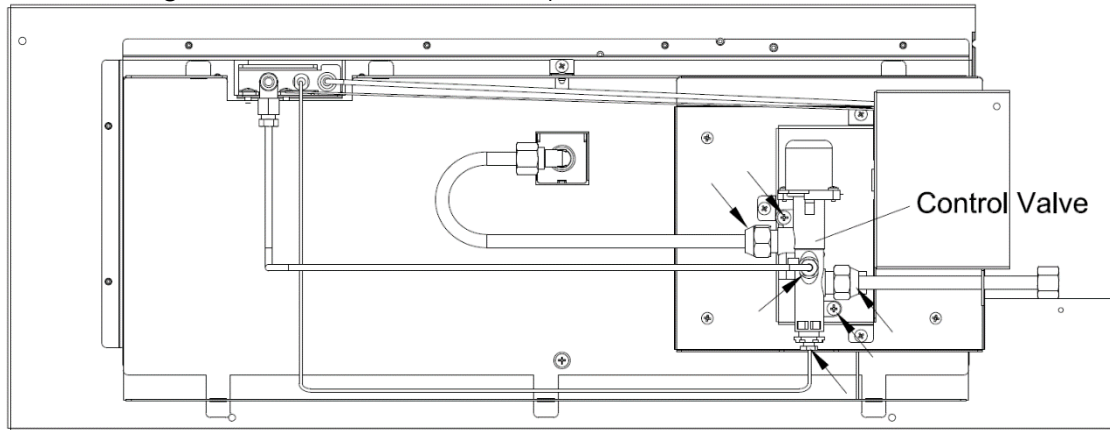




## PANACHE 8040 MAINTENANCE INSTRUCTIONS

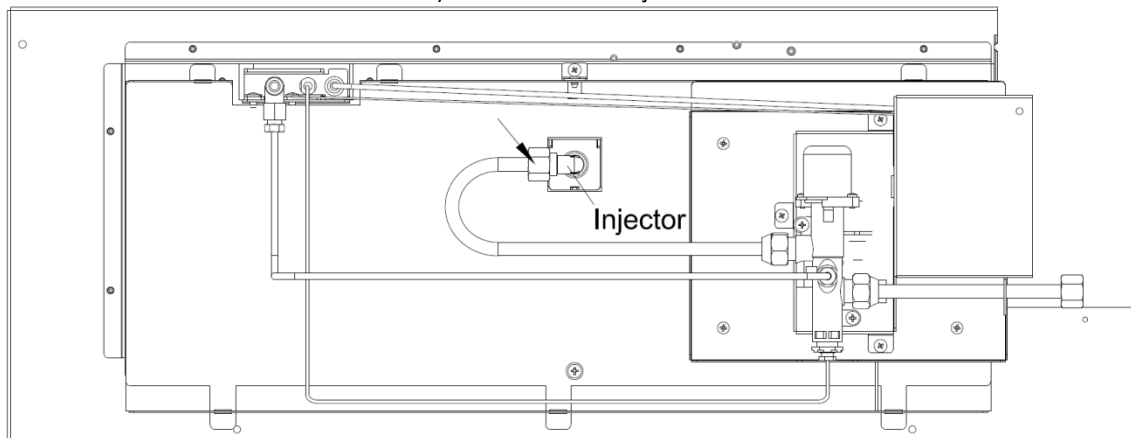
### Replacement of the Gas Valve

With the removal of the burner tray, remove the pilot gas supply nut, the gas inlet tube nut, the main burner gas outlet nut, the thermocouple nut and 2 screws.



### Replacement of the Injector

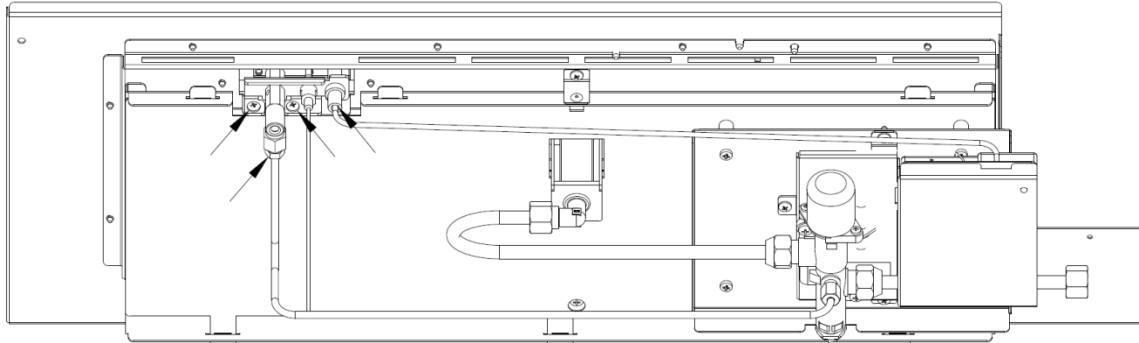
With the removal of the burner tray, remove the injector tube nut.



## PANACHE 8040 MAINTENANCE INSTRUCTIONS

### Replacement of the Oxy-Pilot Assembly

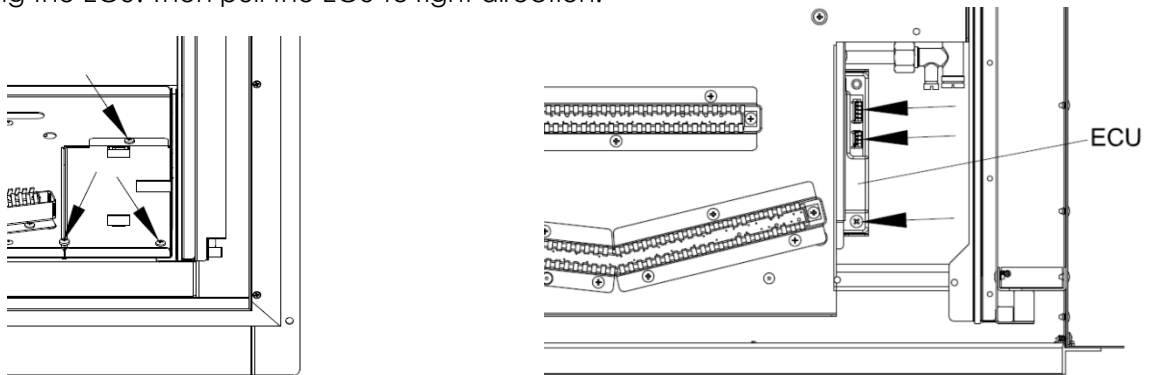
With the removal of the burner tray, remove the ODS Unit gas supply nut, ignition lead from the ODS unit, the thermocouple lead harness from the ECU and the 2 screws as shown in the diagram below.



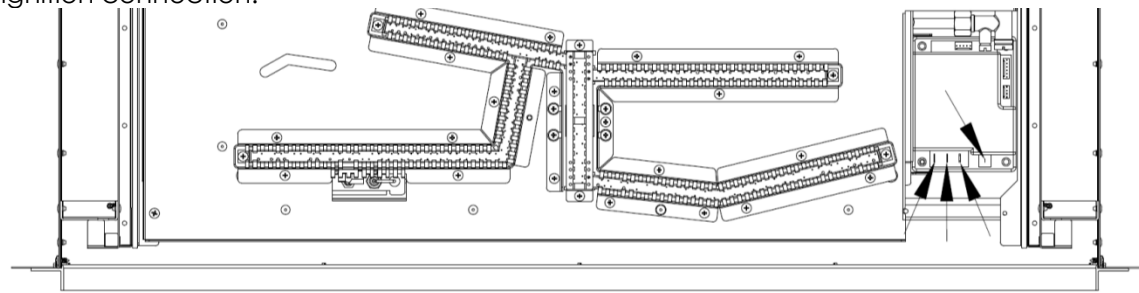
### Replacement of the Electronic Control Unit (ECU)

Note: Please note when changing the Electronic Control Unit the handset will need to be re-paired to the handset. (Please see replacement handset for pairing details)

Without the removal of the burner tray and with the removal of gas access cover plate by removing 3 screws, remove the power lead harness, the valve lead harness and the screw securing the ECU. Then pull the ECU to right direction.



Detach the magnet valve connection, thermocouple connection, chassis connection and ignition connection.



## PANACHE 8040 MAINTENANCE INSTRUCTIONS

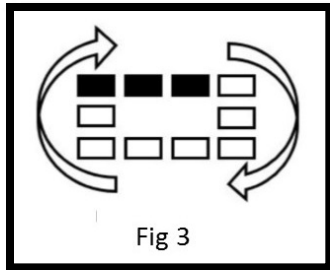


Fig 3






Fig 4

### Replacement Handset

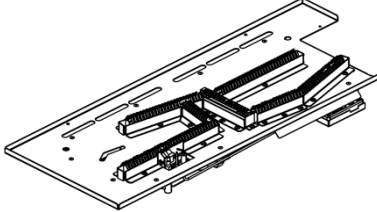
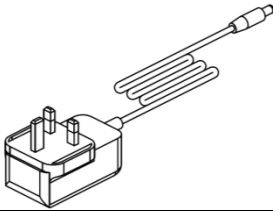
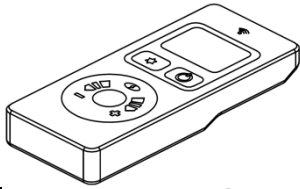
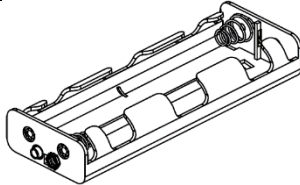
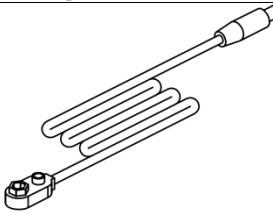
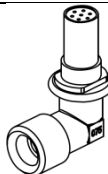
Follow the guide stipulated on page 8 of the users instructions "Changing the handset batteries" to load the batteries into the new handset.

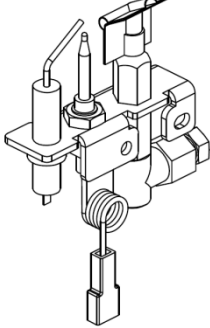
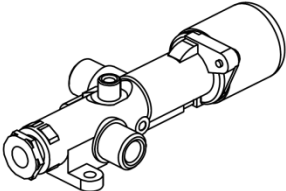
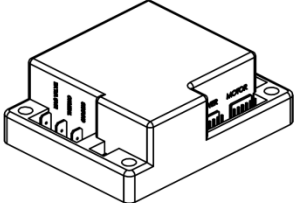
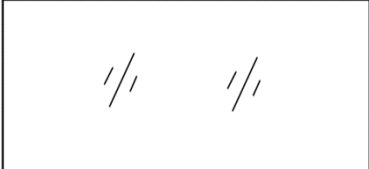
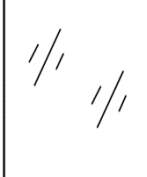
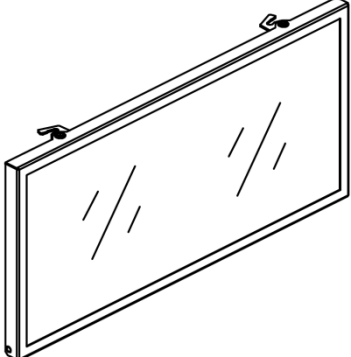
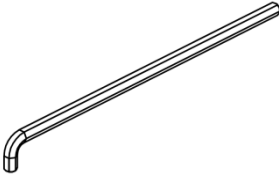
The replacement handset will need to be paired again to the ECU unit.

Press and hold  (approx. 5 seconds) until the menu graphic Completes (see Fig 3). This will access the menu (see Fig 4). Use the selector wheel and select the "gas fire" option. Press  &  simultaneously to delete the current channel. The handset will re-load to "NO DEVICE" see Fig 4) screen. To complete pairing process follow the instruction on Page 31 of the installation instruction "Pairing the handset".

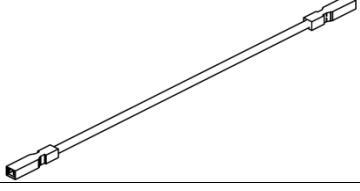
PANACHE 8040 MAINTENANCE INSTRUCTIONS

Short Spares List

Picture	Description	Part Number
	<p><b>Panache 8040 Burner Tray</b></p>	<p><b>8829</b></p>
	<p><b>Transformer</b></p>	<p><b>7145</b></p>
	<p><b>Handset</b></p>	<p><b>7144</b></p>
	<p><b>Battery Holder</b></p>	<p><b>6878</b></p>
	<p><b>Battery Lead</b></p>	<p><b>7148</b></p>
	<p><b>Mrk 075 Injector</b></p>	<p><b>8830</b></p>

	<p><b>Oxy-Pilot 2900A</b></p>	<p><b>8806</b></p>
	<p><b>Valve Assembly</b></p>	<p><b>6590</b></p>
	<p><b>ECU Control Board</b></p>	<p><b>7150</b></p>
	<p><b>Panache 8040 rear lining</b></p>	<p><b>8831</b></p>
	<p><b>Panache 8040 side Lining</b></p>	<p><b>8832</b></p>
	<p><b>Panache 8040 Glass Door Assembly</b></p>	<p><b>8833</b></p>
	<p><b>Allen Key</b></p>	<p><b>8834</b></p>

---

	<b>Ignition Lead</b>	<b>6646</b>
	<b>Emberglow Wire</b>	<b>6844</b>
	<b>Panache 8040 Log Fuel Bed</b>	<b>8857</b>
	<b>Panache 8040 Volcanic Rock Pack</b>	<b>8856</b>

## Your Five Years Parts Extended Warranty Panache 8040

### WARRANTY DETAILS

Please read it carefully and ensure your installer has filled in the first portion, keep it in a safe place so that it is available when your Gas Safe engineer carries out the annual service.

This in no way reduces your statutory rights.

The warranty commences from the date of your purchase you must retain your receipt or invoice as proof of purchase.

This extended warranty specifically excludes glass and soft refractory components and any batteries.

#### Terms and Conditions

- 1 The appliance must be installed by a Gas Safe registered person
- 2 The appliance must be used in accordance with the user's instructions.
- 3 The appliance must be serviced annually by a Gas Safe registered person.
- 4 The service log must be correctly filled out and record of annual services must be up to date and supported by receipts in each case.
- 5 This warranty is not transferable and relates to the original installation only.
- 6 The Registration form must be correctly filled out and returned.
- 7 The appliance has not been subject to misuse or accident or been modified or repaired by any person than the authorized representative of Charlton and Jenrick Ltd.
- 8 The registration form must be returned within 1 months of purchase.

For further information please contact the Infinity help desk on 0845 5195991 or visit our web site

[www.CharltonandJenrick.co.uk](http://www.CharltonandJenrick.co.uk).

<p><b>Important</b>                  For future reference we suggest you record the following details here, and keep the receipt as proof of purchase. This information may be asked for when you contact the helpdesk.                  Model Panache 8040</p>									
Serial No									
This information can be found on the label attached to the packaging and on the data badge, which is located on the appliance-----									
Retailer Name:-----									
Address :-----									
:-----									
:-----									
Date of Purchase									

## Four Year Service Log Details

The following information must be completed to support by receipts as part of the conditions of the extended five year parts warranty and the appliance must be registered by completing and return the registration document (last page of this booklet) to Infinity Fires.

Date of first service							
-----------------------	--	--	--	--	--	--	--

Engineers Name : \_\_\_\_\_

Gas Safe no								
-------------	--	--	--	--	--	--	--	--

Date of second service							
------------------------	--	--	--	--	--	--	--

Engineers Name : \_\_\_\_\_

Gas Safe no								
-------------	--	--	--	--	--	--	--	--

Date of third service							
-----------------------	--	--	--	--	--	--	--

Engineers Name : \_\_\_\_\_

Gas Safe no								
-------------	--	--	--	--	--	--	--	--

Date of fourth service							
------------------------	--	--	--	--	--	--	--

Engineers Name : \_\_\_\_\_

Gas Safe no								
-------------	--	--	--	--	--	--	--	--



## GAS FIRE COMMISSIONING CHECKLIST

**This Commissioning Checklist is to be completed in full by the competent person who commissioned the gas fire as a means of demonstrating compliance with the appropriate Building Regulations and then handed to the customer to keep for future reference.**

Failure to install and commission according to the manufacturer's instructions and complete this Benchmark Commissioning Checklist will invalidate the warranty. This does not affect the customer's statutory rights.

Site Requirements	Yes	N/A
Was the chimney checked to ensure it only serves one flue/fire, has no obstructions and is continuous?		
Has any debris at the base of the chimney been removed?		
For brick chimney installations is there enough depth for 12 liters of debris, or precast flues 2 liters of debris? (see instructions for debris gap details)		
Have damper and register plates been removed or locked in the fully open position ensuring correct size of flue is		
If previously used for solid fuel has the chimney been thoroughly swept?		
If the chimney is pre-cast has the inside of the flue been checked for extruded cement / sealant which must be		
Has the fire place been checked for under-floor air supply which must be sealed off?		
Has the chimney been inspected prior to fitting the gas fire to ensure that it is in good condition?		
Has the structure of the chimney been checked for leakage using a smoke pellet test? (See BS5440-1 for details).		
<b>Ventilation</b>		
Does the installation require any additional ventilation requirements as detailed in the manufacturer's instructions?		
<b>Hearth Requirements- where fitted</b>		
Is the hearth constructed from non-combustible material?		
Is the hearth a minimum of 12mm thick with a minimum floor to top surface of 50mm? (BS5871) or as per manufacturer's instructions?		
Is the hearth for open fronted fires a minimum of 760mm wide and has 300mm projecting from the fire opening (BS6871) or to manufacturer's instructions?		
Mounting height (where applicable) has the fire been installed to the correct mounting height- as per manufacturer's instructions?		
<b>Firebox and Fuel Bed</b>		
Has the fuel bed, coals, pebbles etc. been fitted to manufacturer's instructions?		
<b>Gas Supply</b>		
Has an isolation tap/restrictor inlet elbow been fitted for servicing?		
Has the gas supply been thoroughly purged prior to connection to remove any debris?		
Has a gas tightness test been completed prior to breaking into the gas supply and following completion of installation?(IGEM/IIP/18)		
Record burner gas pressure reading? If only the supply pressure is available a gas rate must be undertaken.(GSIUR		
Record dynamic inlet gas pressure (working pressure) reading (all gas appliances running)		
<b>Spillage test</b>		
Installation passes smoke match test with any extractor fans turned on (see manufacturer's instructions)		
<b>Installation</b>		
Has the gas fire been installed and commissioned in accordance with manufacturer's instructions?		
Has the fire been installed with the correct clearance to combustible materials, as per manufacturer's instructions?		
The operation of the appliance and controls have been demonstrated to the customer including battery replacement where applicable?		
The manufacturer's literature, including Benchmark Checklist and Service record has been explained and left with the		
Has the appliance been registered with the Local Authority as detailed on the Gas Safe web site and is a legal requirement and forms part of the warranty?		
Customer's Signature: (To confirm satisfactory demonstration and receipt of manufacturer's literature)	Commissioning Engineer's Signature:	

\* All installations in England and Wales must be notified to be Local Authority Building Control

---

## Register Your extended Warranty with Us Today

Please register on line at [www.charltonandjenrick.co.uk](http://www.charltonandjenrick.co.uk).

Charlton and Jenrick Ltd

Unit D

Stafford Park 2

Telford

Shropshire.

TF3 3AR

---

### Your Details

Name \_\_\_\_\_

Address \_\_\_\_\_

\_\_\_\_\_

\_\_\_\_\_

Post Code \_\_\_\_\_

Telephone No \_\_\_\_\_

---

### Product Details

Model: Panache 8040 Serial No \_\_\_\_\_

Date of Purchase \_\_\_\_\_

This information can be found on the label attached to the packaging and on the data badge.

---

Where did you purchase this product?

Name \_\_\_\_\_

Address \_\_\_\_\_

\_\_\_\_\_

\_\_\_\_\_

Post Code \_\_\_\_\_

Telephone No \_\_\_\_\_

---

**Please keep this page for your own records.**

---





