

The Collection

by MICHAEL MILLER

Passion HE MK2

CONVENTIONAL FLUE LOG EFFECT GAS FIRE

Installation, Maintenance & User Instructions

Hand these instructions to the user

Model No's DLBLMN2, DLBL**SN2 & DLBL**RN2 are only for use on Natural Gas (G20) at a supply pressure of 20 mbar in G.B. / I.E.**

**** denotes cosmetic variant**

Information Requirements for Commission Regulation (EU) 2015/1188

Model Identifier	DLBL**MN2 &DLBL**SN2	DLBL**RN2
Indirect Heating Functionality	No	No
Direct Heat Output	3.1kW	3.1kW
Indirect Heat Output	Not Applicable	Not Applicable
Fuel	Natural Gas (G20)	Natural Gas (G20)
NOx Emissions	130mg/kWh	130mg/kWh
Nominal Heat Output	3.1kW	3.1kW
Minimum Heat Output (Indicative, all models)	1.5kW	1.5kW
Useful Efficiency at Nominal Heat Output	81.0%	81.2%
Useful Efficiency at Minimum Heat Output	50%	50%
Auxilliary power consumption at nominal heat output - manual / slide control models	Not applicable	Not applicable
Auxilliary power consumption at nominal heat output - remote control models	Not applicable	0.000001kW
Auxilliary power consumption at minimum output - manual control models	Not applicable	Not applicable
Auxilliary power consumption at minimum output - remote control models	Not applicable	0.000001kW
Auxilliary power consumption at standby mode - manual control models	Not applicable	Not applicable
Auxilliary power consumption at standby mode - remote control models	Not applicable	0.0000005kW
Permanent pilot flame requirement	Not applicable	Not applicable
Type of heat output / room temperature oom	Two or more manual control stages, no room temperature control - manual & slide control models	With electronic room temp. control - remote control models
Contact Details	BFM Europe Ltd, Gordon Banks Drive, Trentham Lakes North Stoke-on-Trent, ST4 4TJ. Tel : 01782 339000	

Section 1	Information and Requirements	Page
1.0	Appliance Information	3
1.1	Conditions of Installation	4
1.2	Flue and chimney suitability	4
1.3	Fireplace / surround suitability	5
1.4	Shelf position	5
1.5	Chimney inspection	5
1.6	Fire place opening / catchment space	6-7
1.7	Chair bricks	7
1.8	Metal flue boxes	7
1.9	Spillage monitoring system	8
Section 2	Installation of Fire	
2.1	Unpacking the fire	9
2.2	Installing the fire box	9-16
2.3	Gas tightness and inlet pressure	17
2.4	Installing the Angelo surround	18-19
Section 3	Assembling Fuel Bed and Commissioning	
3.1	Fitting the log fuelbed	20-22
3.2	Fitting the batteries	23
3.3	Operation of the fire - remote control models	24-27
3.4	Lighting the fire - remote control models	28-31
3.5	Advanced settings of remote control	31-35
3.6	Operation of the fire - manual control models	36
3.7	Operation of the fire - slide control models	37
3.8	Checking for clearance of combustion products	38
3.9	Removal / re-fitting the restrictor baffle	39
3.10	Fitting the Signature fascia and enamel trims (suite package only)	40
Section 4	Maintenance	
4.1	Removal of the burner assembly (all models)	41
4.2	Removal of the remote control valve	41
4.3	Removal of the oxypilot (all models)	42
4.4	Removal of the manual control gas control valve	42
4.5	Removal of the slide control gas control valve	42-43
4.6	Removal of the battery ignitor - slide control models	44
4.7	Replacing the battery - slide control models	44
4.8	Replacing the battery in the handset of remote control models	44
4.9	Replacing the batteries in the remote control burner unit	44
4.10	Access and checking the flue debris void	45
4.11	Spare parts shortlist	45
Section 5	User Instructions Section	
5.1	Conditions of installation	46
5.2	About your new fire	47
5.3	Operating the fire - remote control models	48-52
5.4	Changing the batteries in handset and in the fire of remote control	52
5.5	Setting the time, date and temperature on the remote handset	53-57
5.6	Advanced settings of the remote control handset	57-60
5.7	Manual operation of the fire - remote control models	61
5.8	Operating the fire - manual control models	62
5.9	Operating the fire - slide control models	63
5.10	Cleaning instructions	64
5.10	Removal / re-fitting the glass panel	65
5.11	Removal / replacement of the fuelbed	66-70
5.12	User replaceable parts	71

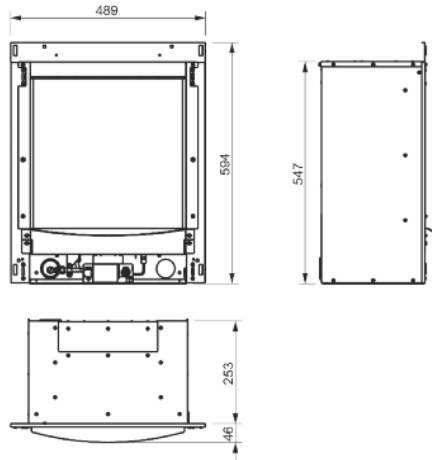
SECTION 1 INFORMATION AND REQUIREMENTS

1.0 APPLIANCE INFORMATION

Model	DLBL**MN2	DLBL**SN2
Gas Type	G20	G20
Main injector (1 off)	Cat 82 size 240	Cat 82 size 240
Pilot Type	ERTA-PG-82-770/2	SIT YA OP 9055
Max. Gross Heat Input :	4.2kW	4.2kW
Min. Gross Heat Input :	3.0kW	3.0kW
Cold Pressure :	20.0 +/-1.0 mbar	20.0 +/-1.0 mbar
Ignition :	Piezo	Via battery igniter
Electrode Spark Gap :	4.0mm	4.0mm
Packed Weight :	25.5kg	25.5kg
Gas Connection :	8mm compression	8mm compression

Model	DLBL**RN2
Gas Type	G20
Main injector (1 off)	Cat 82 size 240
Pilot Type	ERTA-PG-82-330/2
Max. Gross Heat Input :	4.2W
Min. Gross Heat Input :	3.0kW
Cold Pressure :	37.0 +/-1.0 mbar
Ignition :	Via remote, integral to control system
Electrode Spark Gap :	4.0mm
Packed Weight :	25.5kg
Gas Connection :	8mm compression

Fig. 1



This appliance is manufactured by :-

BFM Europe Ltd,
Trentham Lakes,
Stoke-on-Trent,
ST4 4TJ.

INSTALLATION REQUIREMENTS

1.1 CONDITIONS OF INSTALLATION

It is the law that all gas appliances are installed only by a GAS SAFE Registered Installer, in accordance with these installation instructions and the Gas Safety (Installation and Use) Regulations 1998 as amended. Failure to install appliances correctly could lead to prosecution. It is in your own interest and that of safety to comply with the law.

The installation must also be in accordance with all relevant parts of the Local and National Building Regulations where appropriate, the Building Regulations (Scotland Consolidation) issued by the Scottish Development Department, and all applicable requirements of the following British Standard Code of Practice.

1. B.S. 5871 Part 2 Installation of Inset Fuel Effect Gas Fires
2. B.S. 6891 Installation of Gas Pipework
3. B.S. 5440 Parts 1 & 2 Installation of Flues and Ventilation
4. B.S. 1251 Open fire place components
5. B.S. 715 Metal flue pipes for gas appliances
6. B.S. 6461 Part 1 Installation of Chimneys and flues
7. B.S. E.N. 1858 Chimneys Components & Concrete Flue Blocks
8. I.S. 813 : 1996 Domestic Gas Installation (Republic of Ireland)

No purpose made additional ventilation is normally required for this appliance, when installed in G.B. When installing in I.E. please consult document I.S. 813 : 1996 Domestic Gas Installation, which is issued by the National Standards Authority of Ireland. If installing in Northern Ireland, please consult local building regulations. Any purpose made ventilation must be checked periodically to ensure that it is free from obstruction.

1.2 FLUE AND CHIMNEY SUITABILITY

This appliance is designed for use with conventional brick built or lined chimneys and fabricated flues conforming to BS 715. All flues must conform to the following minimum dimensions.

Minimum diameter of circular flues	125 mm (without flue restrictor fitted)
Minimum effective height of all flue types	3 metres

When fitting to conventional chimneys or 175mm flues it may be desirable to leave the flue restrictor baffle (supplied) in place to reduce the flue flow and increase the efficiency of the fire. Safe clearance of products must always be checked by carrying out a smoke match test as described.

1.3 FIREPLACE / SURROUND SUITABILITY

The fire must not be installed directly onto carpet or other combustible floor materials. The fire must only be installed on a hearth it must not be installed directly onto carpet or other combustible floor materials. The fire is suitable for fitting to non-combustible fire place surrounds and proprietary fire place surrounds with a temperature rating of at least 150 degrees celcius (Class "O"). If a heating appliance is fitted directly against a wall combustible material must be removed from behind it. Soft wall coverings such as blown vinyl, wall paper etc. could be affected by the rising hot air and scorching and/or discoloration may result. Due consideration should be made to this when installing or decorating.

1.4 SHELF POSITION

The fire may be fitted below a combustible shelf providing there is a minimum distance of 200mm above the top of the fire and the shelf does not project more than 150mm. If the shelf overhangs more than 150mm the distance between the fire and the shelf must be increased by 15mm for every 25mm of additional overhang over 150mm.

1.5 FLUE / CHIMNEY INSPECTION

Before commencing installation, a flue or chimney should be inspected to ensure that all the following conditions are satisfied.

1. Check that the chimney / flue only serves one fire place and is clear of any obstruction. Any dampers or register plates must be removed or locked in the open position.
2. Brick/stone built chimneys or any chimney or flue which has been used for an appliance burning fuel other than gas must be thoroughly swept. The base of the chimney / flue must also be thoroughly cleared of debris etc.
3. Any under-floor air supply to the fire place must be completely sealed off.
4. Ensure that the inside of the chimney / flue is in good condition along it's length and check that there is no leakage of smoke through the structure of the chimney during and after the smoke pellet test.
5. **Using a smoke pellet, check that there is an up-draught in the chimney / flue and that the smoke can be seen issuing from the terminal / chimney pot outside.**
There must be no leakage of smoke through the structure of the chimney during or after the smoke pellet test and it is important to check inside upstairs rooms adjacent to the chimney / flue. Check the chimney pot / terminal and general condition of the brickwork or masonry. If the chimney or flue is in poor condition or if there is no up-draught do not proceed with the installation. If there is a history of down-draught conditions with the chimney / flue, a tested and certificated flue terminal or cowl suitable for the relevant flue type should be considered.

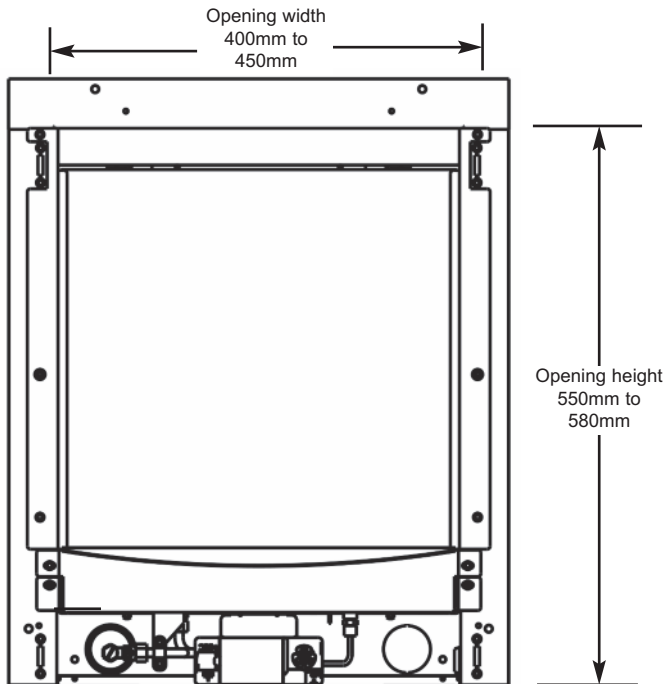
6. **A spillage test must always be carried out during commissioning of the appliance.**

1.6 FIRE PLACE OPENING

1.6.1 Fireplace Opening

The front opening of the fire place must be between 400mm and 450mm wide, between 550mm and 580mm high and minimum depth in accordance with BS 5871-2 and as detailed overpage. If the opening exceeds these dimensions then a surround must be constructed from suitable non-combustible material to produce a correct size opening. Any surround must be suitably sealed to the fire place to prevent leakage. See below in figure 2.

Fig. 2



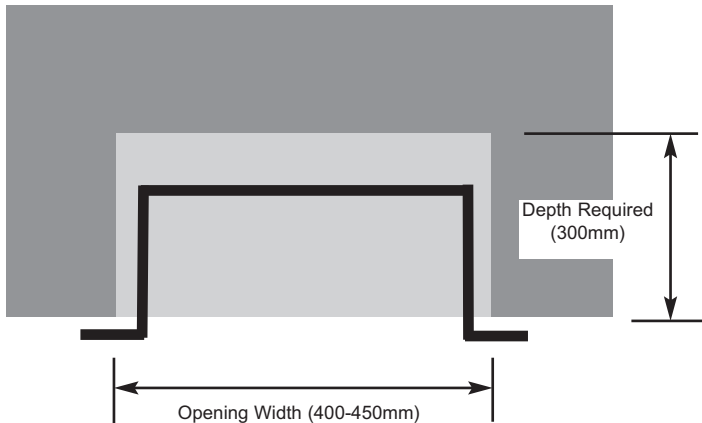
When installing into a brick built chimney, you must ensure that there is sufficient depth to accommodate any debris which may fall from the chimney. This depth must be sufficient to accommodate 12 litres of volumetric space in a conventional brick built chimney in accordance with BS 5871-2.

Table A - Installation Depth Requirements for The Collection by Michael Miller Passion being installed into a brick built chimney, requiring 12.0 litres of debris collection volume (figure 3).

Opening Width (mm)	Minimum Depth Required (mm) - mounting face to rear face of chimney
400mm	308mm
410mm	302mm
420mm	300mm*
430mm	300mm*
440mm	300mm*
450mm	300mm*

***debris collection void at these opening widths exceeds requirements for 12 litres of volumetric debris collection void but minimum 50mm clearance between outlet spigot and internal face of chimney must be observed.**

Fig. 3



1.7 FITTING TO FIREPLACES WITH EXISTING CHAIRBRICKS AND CONVENTIONAL BRICKBUILT CHIMNEYS

This appliance is not suitable for use in fireplaces fitted with an existing chairbrick without the removal of the chairbrick.

1.8 FITTING TO PRE-FABRICATED TWIN WALL METAL FLUE BOXES

The appliance may be fitted to twin wall metal flue boxes conforming to the constructional requirements of BS 715. The top face of the box must be insulated with a minimum thickness of 50mm of non-combustible mineral wool insulation or similar material. The flue box must stand on a non-combustible base of minimum thickness 12mm.

1.9 SPILLAGE MONITORING SYSTEM

This appliance is fitted with an atmosphere sensing spillage monitoring system in the form of an oxygen sensing burner. This is designed to shut the fire off in the event of a partial or complete blockage of the flue causing a build up of combustion products in the room in which the fire is operated. **The following are important warnings relating to this spillage monitoring system :-**

- 1.9.1 The spillage monitoring system must not be adjusted by the installer.
- 1.9.2 The spillage monitoring system must not be put out of operation.
- 1.9.3 When the spillage monitoring system is exchanged only a complete original manufacturers part may be fitted.

SECTION 2 INSTALLATION OF FIRE

2.1 UNPACKING THE FIRE

Carefully lift the fire out of the carton. Remove the loose item packaging, check the contents as listed below :-

NOTE : DO NOT UNDER ANY CIRCUMSTANCES USE THIS APPLIANCE IF THE GLASS PANEL IS BROKEN OR NOT SECURELY FIXED TO THE FIREBOX.

Packing Check List - All Models

- | | | |
|-------|---|-------------------------------------|
| 1 off | Combustion chamber / burner | |
| 1 off | Boxed ceramic fuel-bed set (packed inside combustion chamber) | |
| 1 off | Loose items pack – containing :- | |
| | | 1 off handset (RC models only) |
| | | 5 off AA batteries (RC models only) |
| | | 1 off AA battery (SC model only) |
| | | 1 off Installation / user manual |
| | | 1 off guarantee card |
| | | 1 off cable fixing kit |
| | | 1 off grommet |
| | | 1 off bag of natural vermiculite |
| | | 1 off bag of black vermiculite |
| | | 1 off bag of embaglow |

Pack 2 Signature Suite Surround (If selected)

- | | |
|-------|--|
| 1 off | Surround (supplied in wooden crate, see section 2.4) |
| 1 off | L/H, R/H & bottom burner trims |
| 1 off | Signature fascia or trim with bauhaus 151 fret |

2.2 INSTALLING THE FIRE BOX

Establish which type of flue you are intending to install the fire in to :-

225 x 225mm (9 inch x 9 inch) brick built chimneys, 175mm (7 inch) diameter lined brick or stone flue, or insulated pre-fabricated metal flue box to B.S. 715.

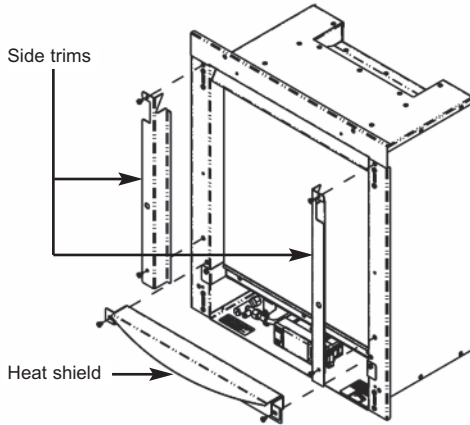
When installing into 125mm (5 inch) diameter lined brick or stone flue, or insulated pre-fabricated metal flue box to B.S. 715, the restrictor baffle must not be fitted.

A spillage test must always be carried out to check satisfactory clearance of flue products, regardless of the type of flue the appliance is being fitted to.

2.2.1 The following installation process applies to all model variants :-

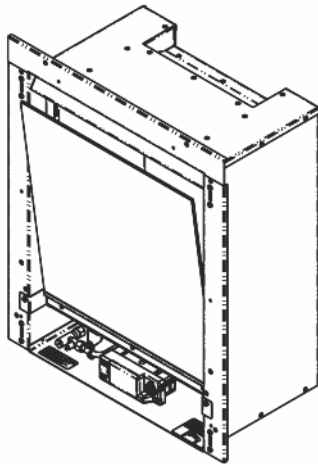
Remove the burner heat shield from the front of the firebox by removing the two screws. Remove the left and right hand side trims, also held in position by two screws as shown below in figure 4. Take care not to allow the glass panel to fall forwards under its own weight.

Fig. 4



2.2.2 Tilt the glass panel forward to remove it as shown below in figure 5

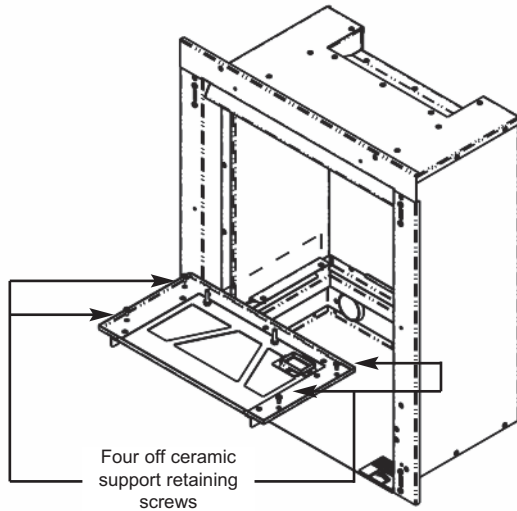
Fig. 5



- 2.2.3 Store the glass panel in a safe place.
- 2.2.4 Re-assemble in reverse order when re-fitting the glass panel.
- 2.2.5 **DO NOT OPERATE THE FIRE WITHOUT THE GLASS PANEL IN POSITION OR NOT CORRECTLY LOCATED.**

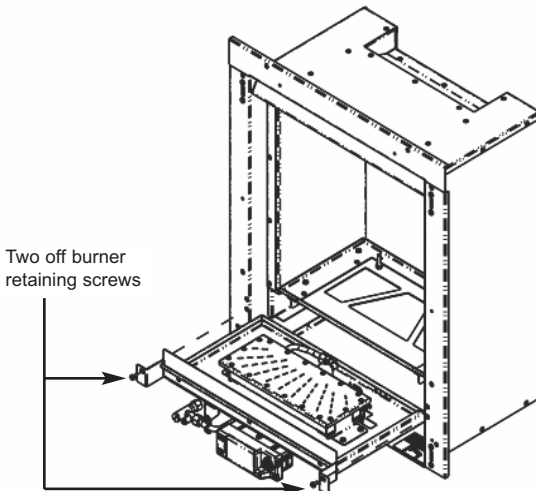
2.2.6 Remove the burner. To allow burner removal, removal of the ceramic support panel is recommended to allow better access. Remove the ceramic support via the 4 off retaining screws as shown below in figure 6.

Fig. 6



2.2.7 On manual control and remote control models remove the 2 off screws that hold the burner assembly in position, slide burner unit forwards to remove from side support channels, see figure 7 below.

Fig. 7



2.2.8

To allow burner removal, the control lever operating cable must be removed. The control lever operating cable can be seen running across the base of the fire, below the burner. To release the cable, unscrew the cable securing screw located in the centre of the aluminium operating arm and release the front part of the operating arm, thereby freeing the cable from the burner. Note the securing screw is retained in the block to prevent it from being lost. Release the other end of the cable by pushing the cable forwards to the right, i.e. into the operating arm so as to release the tension. Pull the cable nipple out of the retaining hole and remove the cable through the slot in the operating arm. See figure 8 below. Unscrew the burner assembly fixing screws at either side of the firebox and the two fixing screws at the base of the fire (see figure 9 below). Carefully pull the base of the burner forwards. The burner can now be removed from the appliance.

Fig. 8

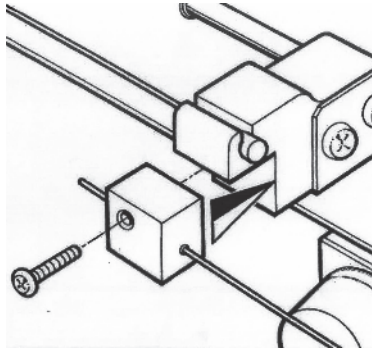
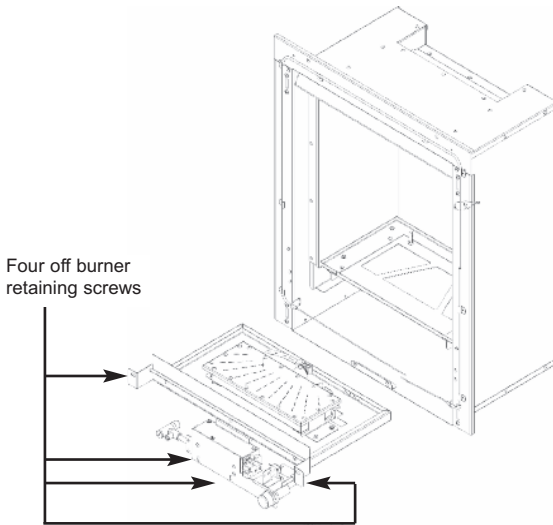
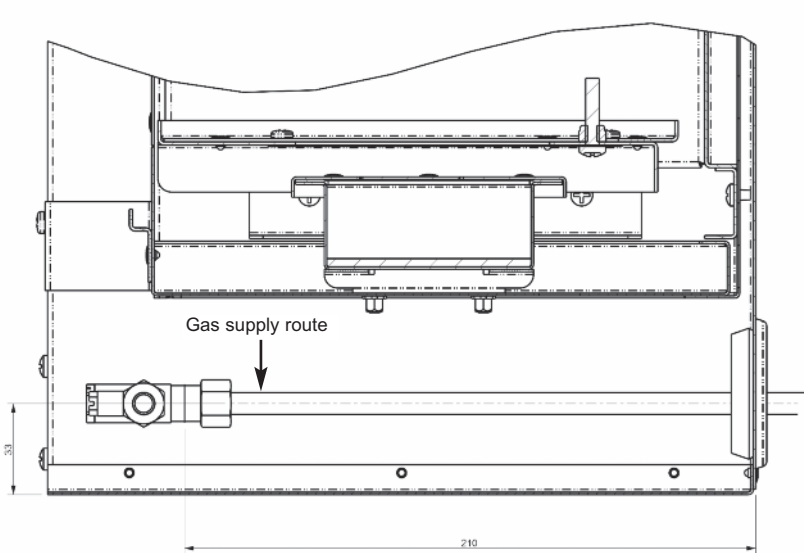


Fig. 9



2.2.9 The gas supply can be routed into the fire from the rear left, see figure 8 below for dimensional information regarding position and route of gas supply pipe.

Fig. 10



- 2.2.10 Store the removed burner components in a safe position.
- 2.2.11 The gas connection to the appliance should be made to the isolating / inlet elbow using 8mm rigid tubing. There must be no soldered joints within the firebox.
- 2.2.12 Ensure that the hearth (if fitted) is protected from damage and carefully lift the fire box into the fire opening, then slide it back into position. Check that the fire box flange fits flush to the sealing face of the fire surround or wall with no gaps present.

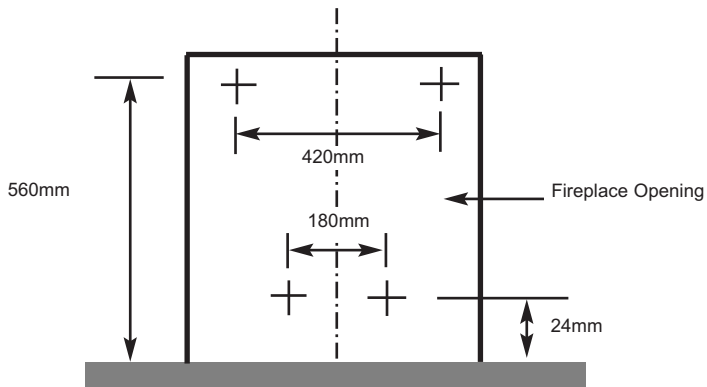
Note : Before breaking into the gas supply a pressure drop test should be carried out to establish that the existing pipework is sound.

- 2.2.13 Carefully withdraw the fire box from the opening to enable the gas supply and fire fixing to be completed.

To fit using the **preferred** cable method proceed as follows-

- 2.2.14 Mark out and drill 4 off No 14 (7mm) holes in the back face of the fire opening in the positions shown below in figure 11.

Fig. 11



Fit the wallplugs provided and screw the fixing eyes securely into the rear of the fire opening. If the clearance at the rear of the fire is at the minimum specified for a precast flue application, it may be necessary to bend over the lower fixing eyes

- 2.2.15 Uncoil the two fire fixing cables and thread one end of each of the cables through one of the two cable holes on each side of the rear brackets on the firebox
- 2.2.16 Position the fire carefully on the (protected) surface of the hearth and reach into the fire opening. Thread each of the cables vertically downwards through the pair of fixing eyes on the same side of the fire. Thread the free end of the cables through the corresponding circular hole on each side of the lower rear of the fire. Carefully slide the fire box back into the fire opening and pull both cables tight.
- 2.2.17 Thread a tensioning screw over each of the cables and ensure that the tensioning nut is screwed fully up against the hexagon shoulder of the tensioning screw (this provides maximum travel for the tensioning nut).
- 2.2.18 Fit a screwed nipple on to each of the cables and pull hand tight up against the tensioning screw, then secure each nipple with a screwdriver.
- 2.2.19 Evenly tighten the tensioning nuts to tension both cables and pull the fire snugly against the wall. Do not overtighten, it is only necessary to pull the seal up against the sealing face of the wall, it does not need to be compressed. Check that there are no gaps behind the seal.
- 2.2.20 Refit the burner in reverse order to which it was removed.

NOTE : ENSURE THAT THE ON/OFF SWITCH ON THE CONTROL VALVE IS IN THE “ON” POSITION BEFORE RE-FITTING THE BURNER UNIT

- 2.2.21 **Before making the final gas connection, thoroughly purge the gas supply pipework to remove all foreign matter, otherwise serious damage may be caused to the gas control valve on the fire.**

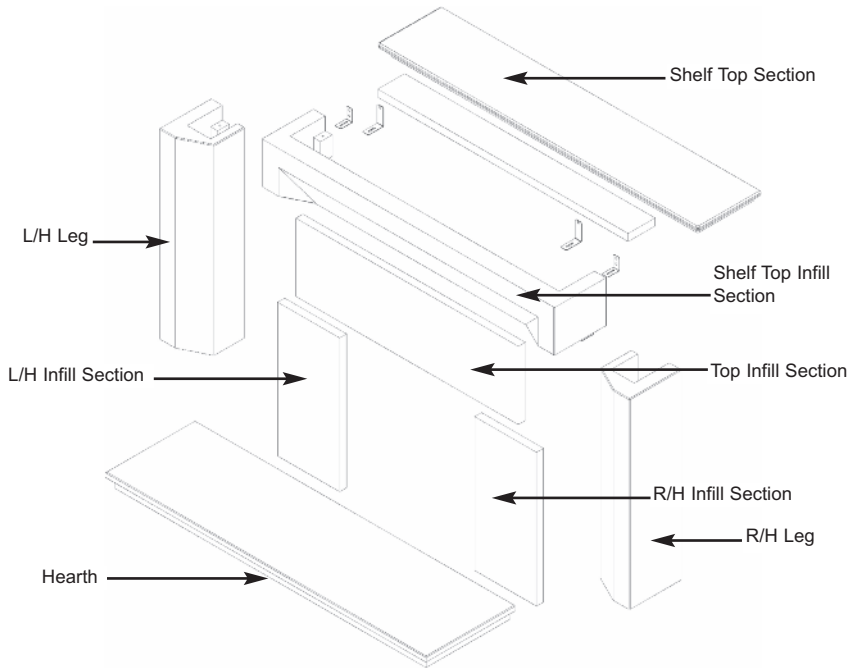
2.3 GAS TIGHTNESS AND INLET PRESSURE

- 2.3.1 Remove the pressure test point screw from the inlet elbow and fit a manometer.
- 2.3.2 Turn on the main gas supply and carry out a gas tightness test.
- 2.3.3 See section 3.3 (remote models), section 3.6 (manual control models) or 3.7 (slide control models) for full details of the operating method for the fire.
- 2.3.4 Check that the gas pressure is **20.0 mbar (+/- 1.0mbar) 8.0 in w.g.(+/- 0.4 in w.g.) for natural gas (G20) models**
- 2.3.5 Turn off the fire, remove the manometer and refit the pressure test point screw. Check the pressure test point screw for gas tightness with the appliance turned on using a suitable leak detection fluid or detector.

2.4 INSTALLING THE “ANGELO” SURROUND

- 2.4.1 Unpack the surround from the wooden crates, check all parts are present as per figure 12 overpage and carefully store the components.
- 2.4.2 The underside of the hearth should be painted with a weak PVA (8 parts water to 1 part PVA). This will prevent staining penetrating through the stone. The hearth must be centered to the opening. If the fireplace is to be installed on a chimney breast ensure that the opening is also centered to the chimney breast. It is essential that the hearth is completely level. The hearth must be bedded down on bonding or an equivalent material. Avoid cement based products and ensure the hearth is firmly fitted and well supported. Allow the bedding material to set before any weight is placed onto the hearth. Wipe off any surplus bonding material with a wet sponge.
- 2.4.3 Fit bottom section to hearth, ensure it is central before fixing with a suitable mastic adhesive.
- 2.4.4 Fit brackets to top of legs, offer leg up to wall and mark position of fixing hole on wall, use shelf to ensure legs are correctly spaced / positioned. Remove shelf then cover hearth with dust sheet and drill the fixing holes. Remove the brackets from the legs, fix the side infills into place with suitable adhesive and secure the leg fixing brackets only to the wall. Fit legs to brackets that have been securely attached to the wall with fixings as detailed in 2.4.5
- 2.4.5 Assess the chimney breast onto which the fire is to be installed and ensure that it is of sound construction and suitable for supporting the weight of the surround. Fixings used to secure the leg brackets to the masonry of the chimney breast shall be of expansive stainless steel or galvanised steel type masonry fixings for dense concrete blockwork or brickwork. Where fixings are located into light weight blockwork or friable aggregate blocks, the fixings shall be of the resin anchor type.**
- 2.4.6 Fix the shelf top infill section and shelf infill into place again utilising the same procedure as for the legs, i.e. mark positions, drill holes to suit, remove brackets and secure brackets to wall with suitable fixings as detailed in 2.4.5
- 2.4.7 Fit shelf top section into place ensuring it is correctly centered, mark the position of holes for securing brackets on wall, remove shelf and drill wall and insert fixings in accordance with 2.4.5, these brackets can be recessed if required.
- 2.4.8 Once the fireplace is correctly installed, grout all of the joints including between the fireplace and the wall with a water based cream mastic or tile grout (all limestone versions only). Ensure all surplus grout is immediately removed by washing the stonework using a sponge and clean water.

Fig. 12 - “Angelo” Surround



NOTE : It is recommended that a spillage test is completed before fixing / sealing the fire surround in place.

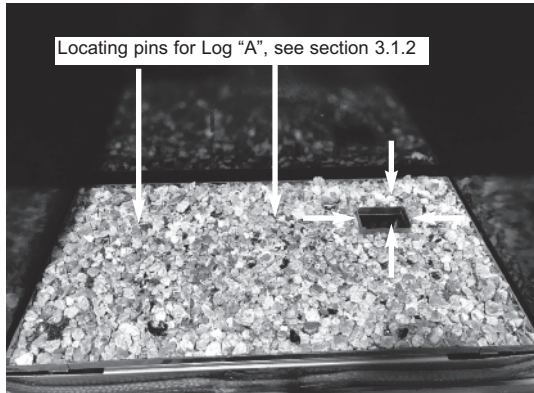
Contents of Angelo surround :-

- 1 off hearth panel
- 1 off R/H leg
- 1 off L/H leg
- 1 off R/H infill section
- 1 off L/H infill section
- 1 off shelf top infill section
- 1 off shelf top section
- 1 off top infill section

3.1 FITTING THE FUEL-BED LOGSET

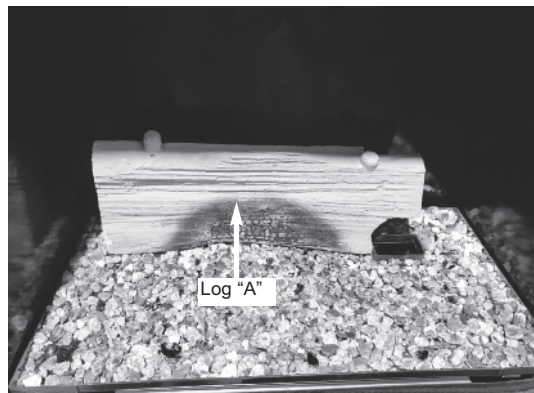
- 3.1.1 Place a single, thin, even layer of vermiculite into the burner tray as shown below in figure 13. **Ensure that the layer of vermiculite is evenly distributed in the fuel-bed tray. Remove any vermiculite from the pilot aperture as indicated by the arrows in figure 13.** The burner can be removed if necessary so any vermiculite can be removed from below the burner tray. **DO NOT USE BOTH NATURAL AND BLACK VERMICULITE SUPPLIED TOGETHER, SELECT AND USE ONLY THE PREFERRED OPTION.**

Fig. 13



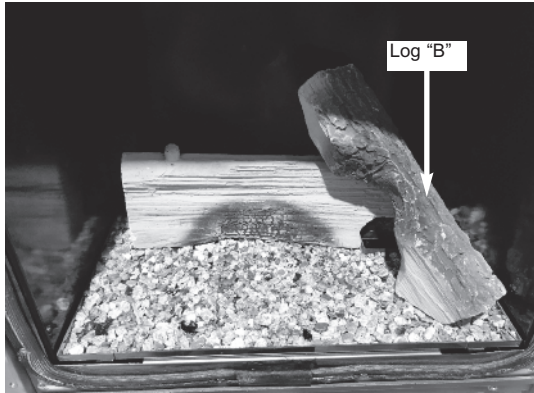
- 3.1.2 Place log "A" onto the rear left hand side of the fuel-bed tray as shown below in figure 14, using the locating pins as indicated above in figure 13 to ensure correct placement.

Fig. 14



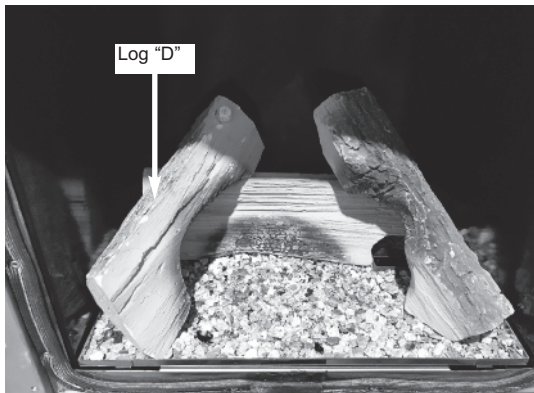
3.1.3 Place log "B" onto log "A" using the locating lug on log "A" as a guide for correct placement as shown below in figure 15.

Fig. 15



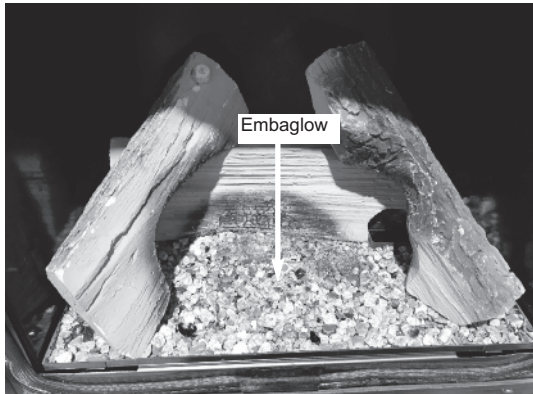
3.1.4 Place Log "D" onto Log "A" using the locating lug on log "A" as a guide for correct placement as shown below in figure 16.

Fig. 16



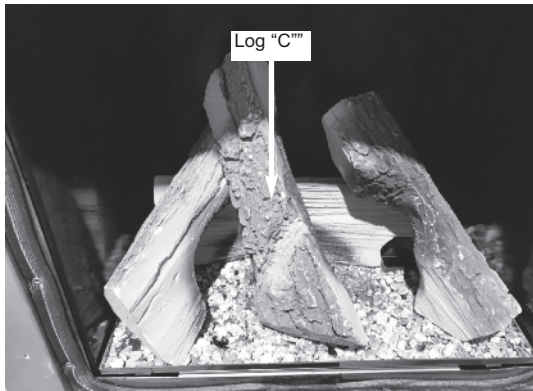
- 3.1.5 Place a layer of “embaglow” material as required. as shown below in figure 17.

Fig. 17



- 3.1.6 Place Log “C” onto Log “D” using the locating lug on log “A” as a guide for correct placement as shown below in figure 18.

Fig. 18



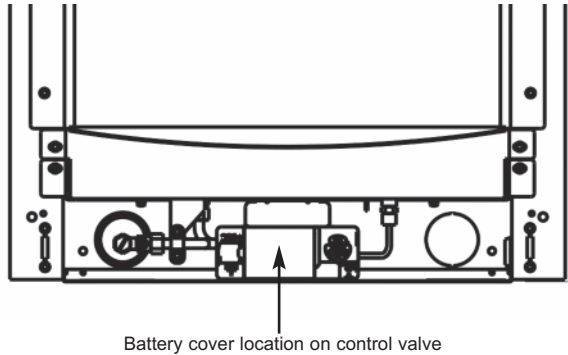
- 3.1.9 Re-fit the glass panel in reverse order to that shown in section 2.2.1 & 2.2.2.

Warning : Use only the logs supplied with the fire. When replacing the logs remove the old logs and discard them. Fit a complete set of logs of the correct type. Do not fit additional logs or any logs other than a genuine replacement set. This appliance does not contain any component manufactured from asbestos or asbestos related products.

3.2 FITTING THE BATTERIES (REMOTE CONTROL MODELS)

3.2.1 The control valve is located at the base of the fire, as shown below in figure 19

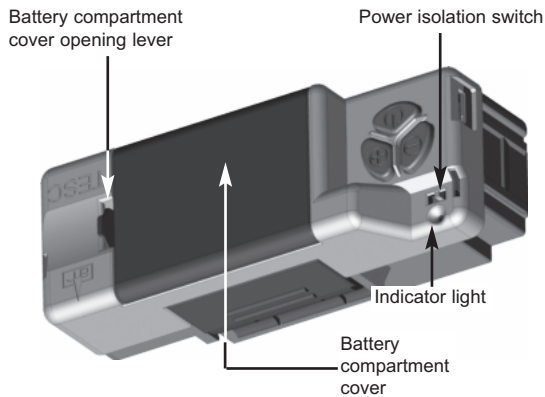
Fig. 19



3.2.2 Remove the battery compartment cover from the control valve as indicated below in figure 20 and fit the 3 off AA sized alkaline batteries supplied to the control valve unit.

3.2.3 Ensure that the power isolation switch is in position “1” and the power indicator light is illuminated (red) after the batteries have been fitted as shown in figure 20 below.

Fig. 20



3.2.4 On RC models fit 2 off AA sized batteries to handset - removing rear cover, fit batteries and replace rear cover.

3.3 OPERATION OF THE FIRE - REMOTE CONTROL MODELS

IMPORTANT : IF THE BURNER IS EXTINGUISHED FOR ANY REASON YOU MUST ENSURE THAT YOU WAIT A FULL FIVE MINUTES BEFORE ATTEMPTING TO RE-LIGHT THE FIRE.

The product is controlled by the remote handset supplied with the fire.

3.3.1 SETTING THE TIME, DATE & TEMPERATURE ON THE REMOTE HANDSET

- 3.3.1.1 Fit the 2 off AA batteries to the handset by removing the cover on the rear of the handset and inserting the batteries, ensure the correct +/- polarity is observed. Following insertion of the batteries the screen displayed will be as shown below in figure 21.

Fig. 21



- 3.3.1.2 Hold the handset with one hand ensuring your hand is wrapped around the back and that your hand is in contact with both sides of the handset. The green light of the “unlock” symbol should light and the screen displayed will be as shown overpage in figure 22.
- 3.3.1.3 The “H” symbol as indicated in figure 22 overpage indicates that the timer can now be set in either 24hr or 12hr mode. Press the + or - buttons on the handset to toggle between the two settings, figure 22 overpage displays the 24hr mode.

Fig. 22



3.3.1.4 When the 24hr or 12hr time display option has been chosen and you are ready to confirm the setting you want press the SET button on the handset to progress to setting the day of the week as shown overpage in figure 20.

3.3.1.5 Press and release the + and - buttons on the handset until the correct day of the week is shown on the handset display

Mo = Monday
Tu = Tuesday
We = Wednesday
Th = Thursday
Fr = Friday
Sa = Saturday
Su = Sunday

3.3.1.6 Press SET to accept the day of the week and progress to setting the hour of the day.

Fig. 23



3.3.1.7 As shown above in figure 23 the time on the handset can now be set by using the + and - buttons to change the hour to the correct hour then press SET to store and to move to setting the minute. Repeat this process for setting the minute to the correct minute then press SET to store.

3.3.1.8 The handset will then display the temperature setting screen as shown overpage in figure 24, the option to choose either Celsius or Fahrenheit can be chosen, these settings are shown as either C or F. Use the + and - buttons to toggle between these two options then press SET to store. The important settings have now been completed so press and hold the SET button for a few seconds and this will exit the set-up menu.

Fig. 24



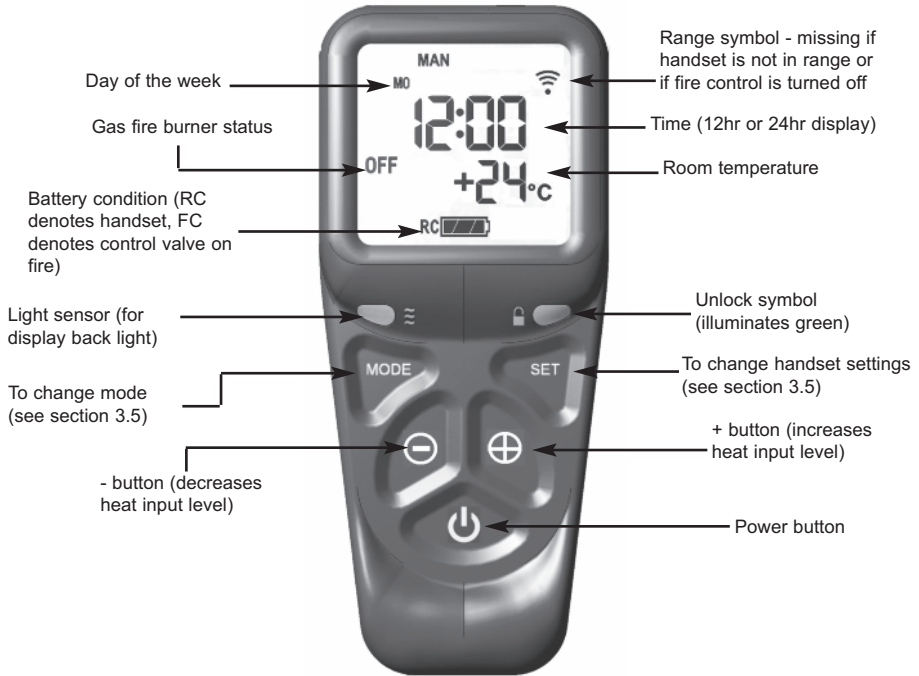
3.3.1.9 The control is now ready for use with the burner.

3.3.1.10 If the handset is misplaced you can “page it” by pressing the (+) button only on the control valve on the fire for a period of 5 seconds. The handset will flash and make an audible noise to help you locate it. Once you find the handset with one hand ensure your hand is wrapped around the back and that your hand is in contact with both sides of the handset then the audible noise will cease. The flashing and sound will last for 60 seconds each time the handset is paged as described. If not found in 60 seconds page the handset again until located.

3.4 LIGHTING THE FIRE - REMOTE CONTROL MODELS

3.4.1 Ensure valve power isolation switch is in the on position - see figure 20 and that the time, date & temperature display settings as shown in section 3.3 have been completed. Hold the handset with one hand ensuring your hand is wrapped around the back and that your hand is in contact with both sides of the handset. The green light of the “unlock” symbol should light. See figure 25 below.

Fig. 25



3.4.2 Press and hold the power button continuously until the word “PILOT” appears at the bottom left of the display as shown overpage in figure 26, (this typically takes two seconds). The burner will now light at maximum heat input level and will display “MAX” in the bottom left hand side of the display as shown in figure 27 overpage.

NOTE : If the power button is pressed for too long or too short a time or the grip on the handset is not firm or is released too soon, the lighting sequence will be interrupted and not complete. The reason for the remote control having this strict start sequence is for safety reasons so that the starting operation of the fire will be most unlikely to be done other than intentionally by an adult.

Fig. 26 - "PILOT" displayed



"PILOT" displayed on handset during ignition sequence (typically takes two seconds)

Fig. 27 - "MAX" & large flame symbol displayed

"MAX FLAME" displayed on handset when burner is lit to maximum rate



3.4 LIGHTING THE APPLIANCE - REMOTE CONTROL MODELS (CONTINUED)

3.4.3 To decrease the heat input level of the burner hold the handset as described in section 3.4.1 to unlock the keypad then press and release the - button. Pressing and releasing the - button will lower the heat input level one step at a time. Pressing the - button continuously will move the heat input level to the minimum, see figure 28 below.

Fig. 28



3.4.4 To increase the heat input level of the fire's burner hold the handset as described in section 3.4.1 to unlock the keypad then press and release the + button. Pressing and releasing the + button will increase the heat input level one step at a time. Pressing the + button continuously will move the heat input level to the maximum.

3.4.5 To turn the fire off hold the handset as described in section 3.4.1 to unlock the keypad then press and release the power button. The burner will go out.

3.4.6 **If you are not intending to use the fire for a long period (i.e. over the summer months) the battery life can be extended by turning off the valve power switch, see section 3.2.3**

3.4.7 **In the event of loss of the remote handset, as a backup the fire can be turned off by manually via the on/off switch on the valve located at the base of the fire, see section 5.7**

3.4.8 If the handset is misplaced you can “page it” by pressing the (+) button only on the control valve on the fire for a period of 5 seconds. The handset will flash and make an audible noise to help you locate it. Once you find the handset with one hand ensure your hand is wrapped around the back and that your hand is in contact with both sides of the handset then the audible noise will cease. The flashing and sound will last for 60 seconds each time the handset is paged as described. If not found in 60 seconds page the handset again until located.

3.5 ADVANCED SETTINGS MENU OF THE REMOTE CONTROL

3.5.1 Snooze mode in manual operation

3.5.1.1 Snooze mode is a time period which can be set which will turn the fire automatically off after a certain time period has elapsed.

3.5.1.2 Hold the handset with one hand ensuring your hand is wrapped around the back and that your hand is in contact with both sides of the handset. The green light of the “unlock” symbol should light. The snooze time period can be set either before or during manual operation of the fire.

3.5.1.3 With the handset held as described above, press the mode button to scroll through the functions until the symbols MAN and Zzz are flashing at the top of the display as shown overpage in figure 29.

3.5.1.4 Press and release the set button and this will put the control into the manual snooze mode.

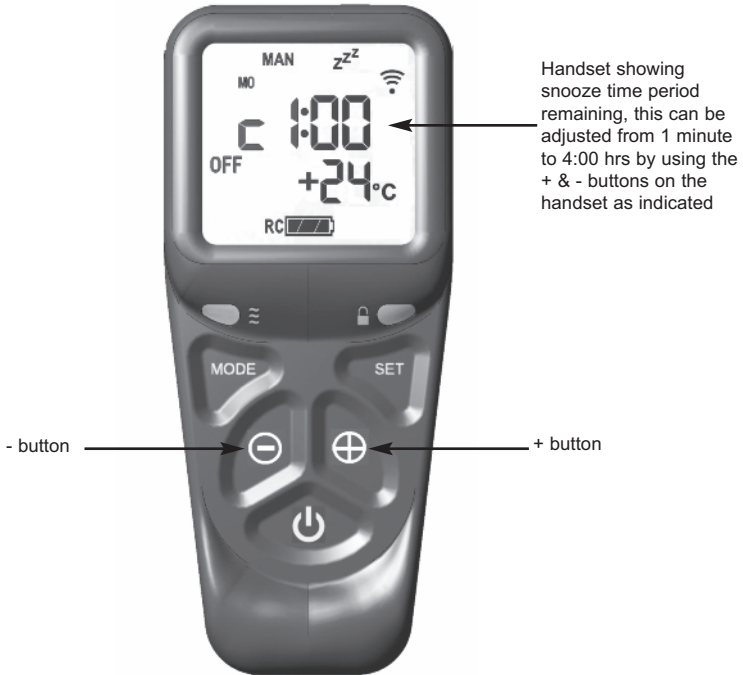
3.5.1.5 The default time period in snooze mode is 1:00 hour.

Fig. 29



- 3.5.1.6 Pressing the set button again will now show you the snooze time period remaining. The snooze time period can be adjusted by pressing the + or - buttons on the handset. This time period can be set ranging from 1 minute to 4:00 hours.
- 3.5.1.7 To adjust the snooze period, hold the handset with one hand ensuring your hand is wrapped around the back and that your hand is in contact with both sides of the handset. The green light of the “unlock” symbol should light. Press the set button and the screen will show how long is left of the snooze period as shown overpage in figure 30.

Fig. 30



- 3.5.1.8 To adjust the snooze period use the + and - buttons to increase or decrease the snooze period for any period between 1 minute and 4:00 hours.
- 3.5.1.9 When the correct snooze period is indicated on the handset, press the set button to store the required time period, or alternatively the handset can be left for a few seconds and the period will be stored automatically.
- 3.5.1.10 When the countdown timer for the snooze period has reached zero the fire will turn off (as if you had turned the fire off manually).

3.5.2 Thermostatic mode

PLEASE NOTE : Thermostatic mode of this fire will only allow regulation of the room temperature by the fire when it has been already lit via manual operation of the handset. It will not allow the fire to light automatically due to low ambient room temperature and should therefore not be relied upon for frost protection purposes.

3.5.2.1 Hold the handset with one hand ensuring your hand is wrapped around the back and that your hand is in contact with both sides of the handset. The green light of the “unlock” symbol should light.

3.5.2.2 With the handset held as described above, press and release the mode button several times as necessary until the display has the thermometer symbol flashing at the top of the display. Press the set button to enter this mode, as shown below in figure 31.

Fig. 31



3.5.2.3 Press the set button again to see the temperature setting that is set (the default is 24 degrees celsius). If a different set temperature is required, whilst the display is showing this set temperature, press the + and - buttons to alter this setting, press the set button to store the required temperature, or alternatively the handset can be left for a few seconds and the temperature will be stored automatically.

3.5.2.4 If at any time the power button is operated during thermostat mode the control will cancel any thermostat operation and return the control to manual mode.

3.5.2.5 **IMPORTANT NOTE : Thermostat mode will not light the fire automatically and will only regulate between the maximum and minimum burner setting. The fire must be lit manually via the handset and then you enter thermostat mode as described in this section and set the temperature. When no longer requiring thermostat mode turn off the burner and the handset will return to manual mode.**

3.6 OPERATING THE FIRE - MANUAL CONTROL MODELS.

- 3.6.1 Turn on the gas isolation tap.
- 3.6.2 Depress the control knob and turn anti-clockwise to the position marked pilot. Hold in the control knob for a few seconds to purge the pipe work.
- 3.6.3 Continue to hold-in the control knob and press the igniter button. If the burner does not light, continue to press the igniter button until ignition occurs. Continue to hold the control knob for 5-10 seconds to allow the thermocouple to heat up, if the pilot goes out when the control knob is released, repeat the lighting sequence.
- 3.6.4 Turn the control knob in the anti-clockwise direction to the high position and the main burner will light.
- 3.6.5 Turn the control knob clockwise to the low position and the gas input will be reduced to the minimum setting.
- 3.6.6 Slightly depress the control knob and turn to the pilot position, the main burner will go out but the pilot will remain lit.
- 3.6.7 Slightly depress the control knob and turn to the off position, the pilot will now be extinguished.

WARNING : If the fire goes out for any reason or is turned off and it is necessary to re-light the fire it is important to allow the fire to cool for 3 minutes before attempting to re-light it.

3.7 OPERATING THE FIRE - SLIDE CONTROL MODELS

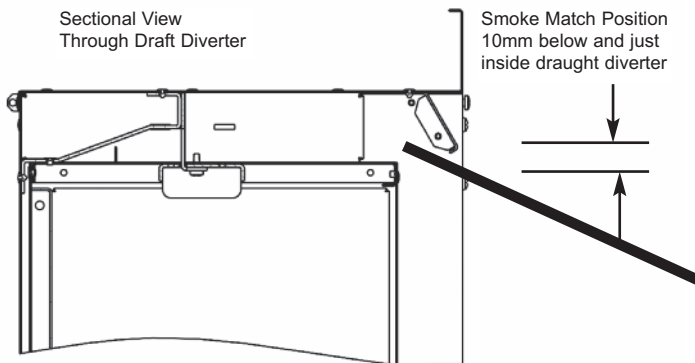
- 3.7.1 Turn on the isolation valve. Depress the control lever fully downwards to the position marked. Hold down the control lever for a few seconds to allow the gas to reach the pilot.
- 3.7.2 The fire will then begin its ignition sequence. If the pilot does not light, continue to press the control lever until ignition occurs. The pilot flame can be seen by looking underneath the front ceramic rail, above the burner heat shield, at the front left hand side of the fuelbed. When the pilot has lit, continue to hold the control lever down for 5-10 seconds to allow the thermocouple to heat up, before releasing the lever apply one firm downwards push to ensure that the f.s.d. valve is fully latched, if the pilot goes out when the control lever is released, repeat the lighting sequence.
- 3.7.3 After lighting, move control lever up to the high position and the main burner will light. It is recommended that for the most efficient performance the fire is allowed to warm up for a few minutes with the control lever set to high.
- 3.7.4 The gas control can be moved from the High to Low position to give the desired heat output.
- 3.7.5 To turn the fire off, FULLY raise the control lever to the OFF position.

WARNING : If the fire goes out for any reason or is turned off and it is necessary to re-light the fire it is important to allow the fire to cool for 3 minutes before attempting to re-light it.

3.8 CHECKING FOR CLEARANCE OF COMBUSTION PRODUCTS

- 3.8.1 Close all doors and windows in the room.
- 3.8.2 Light the fire and allow to run for approximately 5 minutes on high position.
- 3.8.3 After approximately 5 minutes hold a smoke match just inside and below the centre of the lower front edge of the top of the fire, as shown below in figure 32. (It is recommended that a suitable smoke match holder is used when checking for clearance of combustion products). All smoke generated should be drawn back into the flue. If slight spillage occurs or if in doubt, repeat the test after a further 5-10 minutes. **If the test indicates that spillage is occurring and the flue restrictor baffle has been fitted, it should be removed as shown in section 3.9 and the test repeated after the fire has cooled.**
- 3.8.4 If spillage persists, the flue is not functioning correctly and a fault exists. If, after investigation the fault cannot be traced and rectified, the fire must be disconnected from the gas supply and expert advice obtained.
- 3.8.5 If there is an extractor fan fitted anywhere in the vicinity of the appliance, or in adjacent rooms the spillage test should be repeated with the fan running on maximum and all interconnecting doors open.
- 3.8.6 After ensuring that the fire is safe to use it should be left on high position to fully warm up. During this time a slight odour may be noticed, this is due to the “newness” of the fire and will soon disappear.

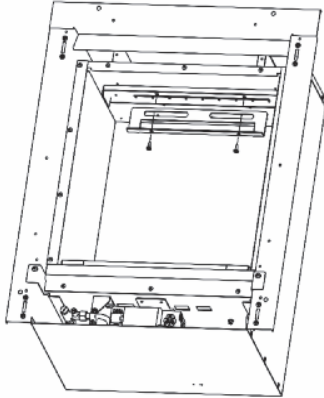
Fig. 32



3.9 REMOVING / RE-FITTING THE FLUE RESTRICTOR BAFFLE

- 3.9.1 The restrictor baffle is secured with 2 off screws to the internal roof of the combustion chamber.
- 3.9.2 Remove the glass panel as detailed in section 2.2.1 / 2.2.2 and unscrew or re-fit the baffle from the internal roof of the combustion chamber as shown below in figure 33.

Fig. 33



- 3.9.3 Re-check the spillage test as required.

3.10 FITTING THE SIGNATURE FASCIA & ENAMEL TRIMS

- 3.10.1 If installing this product with a Signature fascia the top bar must be removed from the fascia for use with this fire. If fitting with a Angelo suite and Signature fascia package the product is also supplied with a replacement set of enamelled side trims (L/H & R/H) and a bottom trim.
- 3.10.2 Turn the fascia over and unscrew the 2 off M4 nuts as shown below in figure 34, then lift the top bar from the fascia and discard.
- 3.10.3 Replace the side trims and bottom trim / heat shield with the enamelled items supplied (Signature suites only), see figure 35 below.
- 3.10.4 The fascia can then be fitted to the fire and secured with the magnets provided.

Fig. 34

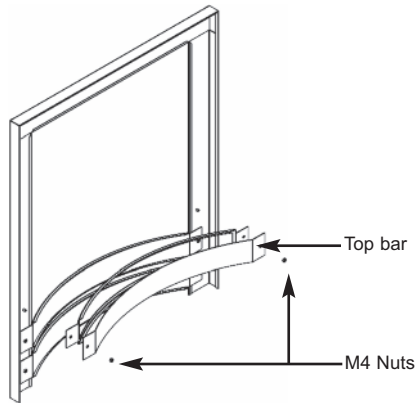
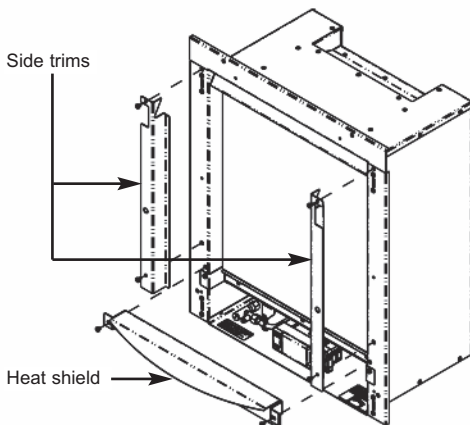


Fig. 35



SECTION 4 MAINTENANCE

Servicing Notes

Servicing should be carried out annually by a competent person such as a GAS SAFE registered engineer. **This is a condition of the guarantee schemes.** The service should include visually checking the chimney and fire opening for accumulations of debris and a smoke test to check for a positive up-draught in the chimney. The oxypilot on the burner unit must also be changed as a condition of the guarantee. The condition of the fuel-bed should be checked and **if necessary the whole item should be replaced with a genuine replacement item.** The burner assembly is designed to be removed as a complete unit for ease of access. **After any servicing work a gas tightness check must always be carried out.**

For Diagrams refer to Section 2

4.1 Removing the burner assembly from the fire.

4.1.1 Prepare work area (lay down dust sheets etc.)

4.1.2 Remove the glass panel

4.1.3 Isolate the gas supply and remove the supply pipe from the appliance inlet elbow. Unscrew and remove the four off screws which retain the ceramic support plate to the base, then lift clear. On slide control models refer to section 4.5.1 for cable disconnection. Remove the two off screws (4 off slide control models) which hold the burner in position & then slide burner unit forwards to remove from side support channels.

4.1.4 To refit the burner assembly, locate the burner unit and refit the two off screws. Refit the ceramic support plate and four off screws. Refit the gas supply pipe and carry out a gas tightness test. Re-fit the glass panel.

4.2 Removing the Gas Control Valve - RC models

4.2.1 Remove the burner assembly as detailed in section 4.1

4.2.2 Remove the thermocouple wires from the valve, remove the main pipe, inlet pipe, pilot pipe from the valve. Take note of position of coloured terminals on thermocouple wires as valve will not function correctly if these are replaced the opposite way round.

4.2.3 Unclip the valve from its mounting bracket. Re-assemble in reverse order and carry out a gas tightness test.

4.3 Removing the Oxy-Pilot (all models)

Note : Because this appliance is fitted with an atmosphere sensing ‘Oxy-Pilot’ it is not possible to replace the thermocouple separately, because the thermocouple position is factory set to a tight tolerance. Any replacement of parts on the pilot requires a complete new pilot assembly.

- 4.3.1 Prepare work area (lay down dust sheets etc.)
- 4.3.2 Remove the glass panel as shown in section 2.2.1 & 2.2.2 and put it in a safe location, remove burner assembly as per section 4.1
- 4.3.3 Loosen the pilot nut and remove the two screws retaining the pilot assembly. Remove wires / thermocouple from the valve
- 4.3.4 Re-assemble in reverse order and carry out a gas tightness test.

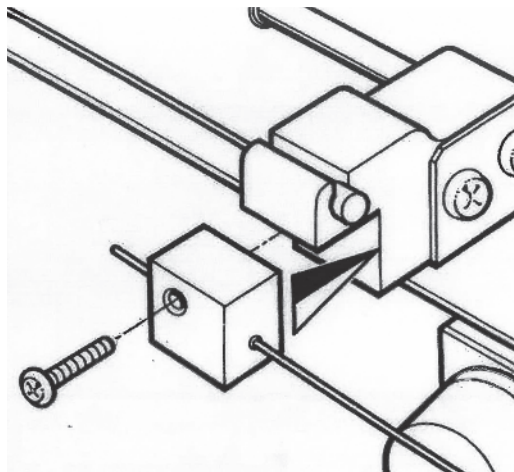
4.4 Removing the gas control valve - manual control models

- 4.4.1 Remove the burner assembly as detailed in section 4.1
- 4.4.2 Unscrew the thermocouple from the rear of the valve, remove the main pipe, inlet pipe, pilot pipe from the valve.
- 4.4.3 Unscrew the valve retaining nut from the control panel. Re-assemble in reverse order and carry out a gas tightness test.

4.5 Removing the gas control valve - slide control models

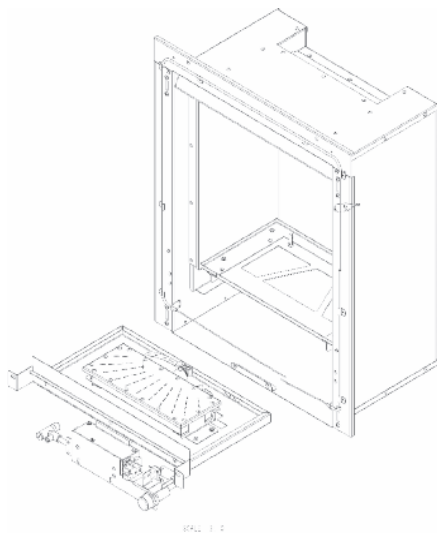
- 4.5.1 To allow burner removal, the control lever operating cable must be removed. The control lever operating cable can be seen running across the base of the fire, below the burner. To release the cable, unscrew the cable securing screw located in the centre of the aluminium operating arm and release the front part of the operating arm, thereby freeing the cable from the burner. Note the securing screw is retained in the block to prevent it from being lost. Release the other end of the cable by pushing the cable forwards to the right, i.e. into the operating arm so as to release the tension. Pull the cable nipple out of the retaining hole and remove the cable through the slot in the operating arm. See figure 36 overpage

Fig. 36



4.5.2 Unscrew the burner assembly fixing screws at either side of the firebox, and the two fixing screws at the base of the fire (see figure 37 below). Carefully pull the base of the burner forwards. The burner can now be removed from the appliance. Unscrew the thermocouple from the rear of the valve, remove the main pipe, inlet pipe, pilot pipe from the valve. Replace gas valve, re-assemble in reverse order and carry out a gas tightness test.

Fig. 37



4.6 Removal of the battery ignitor - SC models

- 4.6.1 Remove the burner assembly as above.
- 4.6.2 Disconnect the ignition lead and 2 off microswitch leads from the igniter. Unscrew the Battery retaining cap and place battery to one side. Then unscrew igniter retaining ring and remove igniter from panel. Re-assemble in reverse order and carry out a gas tightness test.

4.7 Replacing the battery - SC models

- 4.7.1 Unscrew Battery retaining cap situated at the front right of the fire and remove the battery
- 4.7.2 Replace in the reverse order using a 1.5V AA Alkaline Battery.

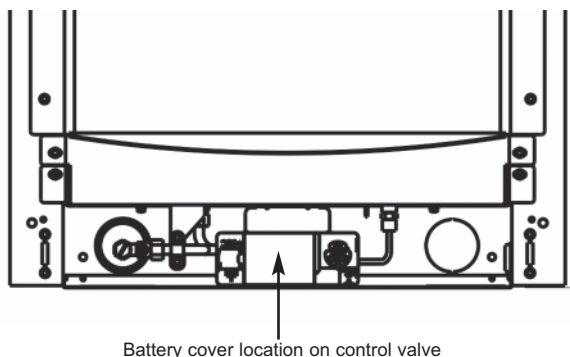
4.8 Replacing the batteries in the handset - RC models only

- 4.8.1 Remove and re-fit the new 2 off AA batteries by removing the cover on the back of the handset.

4.9 Replacing the batteries in the burner unit - RC models only

- 4.9.1 The battery pack location is on the control valve as shown below in figure 38.

Fig. 38



- 4.9.2 Remove the battery compartment cover from the control valve as indicated above in figure 38 and fit the 3 off AA sized alkaline batteries supplied to the control valve unit.

4.10 Checking for Flue Debris.

- 4.10.1 Remove the burner assembly as detailed in section 4.1
- 4.10.2 Remove the fire from the opening by releasing the cable fixings.
- 4.10.3 Remove any debris and complete a flue flow test.
- 4.10.4 Re-assemble in reverse order and carry out a gas tightness test.

4.11 Spare Parts List

SP10695	RC gas control valve
B-168970	RC handset
SP10685	MC gas control valve
B-180090	ERTA PG-82-330/2 ODS pilot assy (RC NG models)
B-19660	SIT YA OP 9055 ODS pilot assy (SC NG models)
B-182470	ERTA PG-82-770/2 ODS pilot assy (MC NG models)
B-1009157	Burner injector Cat 82 size 240 (All NG models)
B-1003891	Non reflective glass panel
B-1029839	Complete log set
B-1029839A	Log "A" only
B-1029839B	Log "B" only
B-1008055C	Log "C" only
B-1029839D	Log "D" only
B-120070	Embaglow
CV-107116	Bag of natural vermiculite
B-1028774	Bag of black vermiculite

SECTION FIVE - USER INSTRUCTIONS

5.1 INSTALLATION INFORMATION

CONDITIONS OF INSTALLATION

It is the law that all gas appliances are installed only by a competent (e.g. Registered) Installer, in accordance with the installation instructions and the Gas Safety (Installation and Use) Regulations 1998. Failure to install appliances correctly could lead to prosecution. It is in your own interest and that of safety to comply with the law.

The fire may be fitted below a combustible shelf provided that the shelf is at least 200mm above the top of the appliance and the depth of the shelf does not exceed 150mm.

The fire may be installed below combustible shelves which exceed 150mm deep providing that the clearance above the fire is increased by 15mm for each 25mm of additional overhang in excess of 150mm.

No purpose made additional ventilation is normally required for this appliance when installed in G.B. When installed I.E. please consult document I.S. 813 : 1996 Domestic Gas Installation which is issued by the National Standards Authority of Ireland. Any purpose made ventilation should be checked periodically to ensure that it is free from obstruction.

If the chimney or flue has been previously used by appliances burning fuels other than gas they must be swept prior to the installation of this fire.

If this appliance is fitted directly on to a wall without the use of a fireplace or surround, soft wall coverings such as wallpaper, blown vinyl etc. could be affected by the heat and hot convection air and may discolour or scorch. This should be considered when installing or decorating.

The Model number of this appliance is as stated on the rating plate affixed to the base panel of the fire and the appliance is manufactured by:-

BFM Europe Ltd
Trentham Lakes
Stoke on Trent
ST4 4TJ

5.2 ABOUT YOUR NEW PASSION GAS FIRE

The Collection by Michael Miller "Passion HE MK2" log effect gas fire incorporates a unique and highly developed fuel bed which gives the realism of a loose log layout combined with realistic flames and glow. The use of durable ceramic material in the construction of the fuelbed components ensures long and trouble free operation.

Please take the time to fully read these instructions as you will then be able to obtain the most effective and safe operation of your fire.

IMPORTANT SAFETY INFORMATION

WARNING

This appliance is a heating appliance and as with all heating appliances a fireguard should be used for the protection of children, the elderly and infirm. Fireguards should conform to B.S. 8423 : 2002 (Fireguards for use with gas heating appliances).

It is important that this appliance is serviced at least once a year by a GAS SAFE registered engineer. During the annual service, replacement of the pilot must be carried out. **This is a condition of the manufacturers guarantee.** Any debris or deposits should be removed from the fuel bed from time to time. This may be carried out by referring to the cleaning section as described later in this book. Only the correct number and type of logs must be used and only complete and genuine replacement sets must be used. Always keep furniture and combustible materials well clear of the fire and never dry clothing or items either on or near to the fire. Never use aerosols or flammable cleaning products near to the fire when it is in use.

The ceramic fuel bed remains hot for a considerable period after use and sufficient time should be allowed for the fire to cool before cleaning etc.

IMPORTANT : DO NOT UNDER ANY CIRCUMSTANCES USE THIS FIRE IF THE GLASS PANEL IS BROKEN, CRACKED OR MISSING.

IMPORTANT : THIS APPLIANCE IS NOT INTENDED FOR USE BY PERSONS (INCLUDING CHILDREN) WITH REDUCED PHYSICAL, SENSORY OR MENTAL CAPABILITIES, OR LACK OF EXPERIENCE AND KNOWLEDGE, UNLESS THEY HAVE BEEN GIVEN SUPERVISION OR INSTRUCTION CONCERNING USE OF THE APPLIANCE BY A PERSON RESPONSIBLE FOR THEIR SAFETY. CHILDREN SHOULD BE SUPERVISED TO ENSURE THAT THEY DO NOT PLAY WITH THE APPLIANCE.

5.3 OPERATING THE FIRE AND USER CONTROLS (RC MODELS)

- 5.3.1 Ensure valve power isolation switch is in the on position - see figure 6
Hold the handset with one hand ensuring your hand is wrapped around the back and that your hand is in contact with both sides of the handset. The green light of the “unlock” symbol should light. See figure 1 below.

Fig. 1



- 5.3.2 Press and hold the power button continuously until the word “PILOT” appears at the bottom left of the display as shown overpage in figure 2, (this typically takes two seconds). The burner will now light at maximum heat input level and will display “MAX” in the bottom left hand side of the display as shown in figure 3 overpage. **For most efficient performance leave the fire on high when lighting from cold for ten minutes.**

NOTE : If the power button is pressed for too long or too short a time or the grip on the handset is not firm or is released too soon, the lighting sequence will be interrupted and not complete. The reason for the remote control having this strict start sequence is for safety reasons so that the starting operation of the fire will be most unlikely to be done other than intentionally by an adult.

Fig. 2 - "PILOT" displayed



"PILOT" displayed on handset during ignition sequence (typically takes two seconds)

Fig. 3 - "MAX" & large flame symbol displayed

"MAX FLAME" displayed on handset when burner is lit to maximum rate



5.3 OPERATING THE FIRE AND USER CONTROLS (CONTINUED)

- 5.3.3 To decrease the heat input level of the burner hold the handset as described in section 5.3.1 to unlock the keypad then press and release the - button. Pressing and releasing the - button will lower the heat input level one step at a time. Pressing the - button continuously will move the heat input level to the minimum, see figure 4 below.

Fig. 4



- 5.3.4 To increase the heat input level of the fire's burner hold the handset as described in section 5.3.1 to unlock the keypad then press and release the + button. Pressing and releasing the + button will increase the heat input level one step at a time. Pressing the + button continuously will move the heat input level to the maximum.
- 5.3.5 To turn the fire off hold the handset as described in section 5.3.1 to unlock the keypad then press and release the power button. The burner will go out.

5.3.6 **If you are not intending to use the fire for a long period (i.e. over the summer months) the battery life can be extended by disconnecting the battery pack from the valve, see section 5.7.5**

5.3.7 **In the event of loss of the remote handset, as a backup the fire can be turned off by pressing the on/off switch located below the grill at the base of the fire.**

5.3.8 If the handset is misplaced you can “page it” by pressing the (+) button only on the control valve on the fire for a period of 5 seconds. The handset will flash and make an audible noise to help you locate it. Once you find the handset with one hand ensure your hand is wrapped around the back and that your hand is in contact with both sides of the handset then the audible noise will cease. The flashing and sound will last for 60 seconds each time the handset is paged as described. If not found in 60 seconds page the handset again until located.

IMPORTANT NOTE : THE BATTERIES SHOULD BE REPLACED WITH GOOD QUALITY ALKALINE BATTERIES WHEN REQUIRED, THE BATTERY LIFE IS EXPECTED TO BE A MINIMUM OF 12 MONTHS WITH NORMAL USAGE. FOR BEST PERFORMANCE BFM EUROPE RECOMMEND THE USE OF ENERGIZER BATTERIES WITH IT'S PRODUCTS.

5.4

CH.

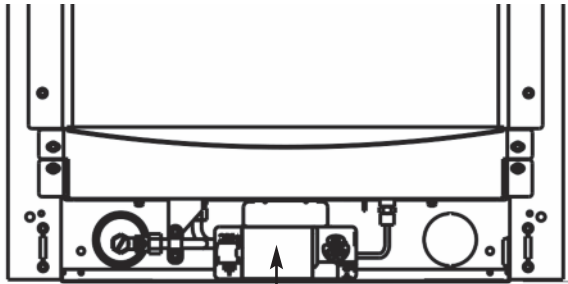
5.4.1

CH.

5.4.1.2

The

Fig. 5



Battery cover location on control valve in base of fire

5.4.1.3

Remove the battery compartment cover from the control valve as indicated above in figure 5 and fit the 3 off AA sized alkaline batteries supplied to the control valve unit.

5.4.3

CHANGING THE BATTERIES IN THE HANDSET

5.4.3.1

Remove and re-fit the new 2 off AA batteries by removing the cover on the back of the handset.

5.5 SETTING THE TIME, DATE & TEMPERATURE ON THE REMOTE HANDSET

- 5.5.1 Fit the 2 off AA batteries to the handset by removing the cover on the rear of the handset and inserting the batteries, ensure the correct +/- polarity is observed. Following insertion of the batteries the screen displayed will be as shown below in figure 6.

Fig. 6



- 5.5.2 Hold the handset with one hand ensuring your hand is wrapped around the back and that your hand is in contact with both sides of the handset. The green light of the “unlock” symbol should light and the screen displayed will be as shown overpage in figure 7.
- 5.5.3 The “H” symbol as indicated in figure 7 overpage indicates that the timer can now be set in either 24hr or 12hr mode. Press the + or - buttons on the handset to toggle between the two settings, figure 7 overpage displays the 24hr mode.

Fig. 7



5.5.4 When the 24hr or 12hr time display option has been chosen and you are ready to confirm the setting you want press the SET button on the handset to progress to setting the day of the week as shown overpage in figure 8.

5.5.5 Press and release the + and - buttons on the handset until the correct day of the week is shown on the handset display

Mo = Monday
Tu = Tuesday
We = Wednesday
Th = Thursday
Fr = Friday
Sa = Saturday
Su = Sunday

5.5.6 Press SET to accept the day of the week and progress to setting the hour of the day.

Fig. 8



5.5.7 As shown above in figure 8 the time on the handset can now be set by using the + and - buttons to change the hour to the correct hour then press SET to store and to move to setting the minute. Repeat this process for setting the minute to the correct minute then press SET to store.

5.5.8 The handset will then display the temperature setting screen as shown overpage in figure 9, the option to choose either Celsius or Fahrenheit can be chosen, these settings are shown as either C or F. Use the + and - buttons to toggle between these two options then press SET to store. The important settings have now been completed so press and hold the SET button for a few seconds and this will exit the set-up menu.

Fig. 9



5.5.9 The control is now ready for use with the burner.

5.5.10 If the handset is misplaced you can “page it” by pressing the (+) button only on the control valve on the fire for a period of 5 seconds. The handset will flash and make an audible noise to help you locate it. Once you find the handset with one hand ensure your hand is wrapped around the back and that your hand is in contact with both sides of the handset then the audible noise will cease. The flashing and sound will last for 60 seconds each time the handset is paged as described. If not found in 60 seconds page the handset again until located.

5.6 ADVANCED SETTINGS MENU OF THE REMOTE CONTROL

5.6.1 Snooze mode in manual operation

- 5.6.1.1 Snooze mode is a time period which can be set which will turn the fire automatically off after a certain time period has elapsed.
- 5.6.1.2 Hold the handset with one hand ensuring your hand is wrapped around the back and that your hand is in contact with both sides of the handset. The green light of the “unlock” symbol should light. The snooze time period can be set either before or during manual operation of the fire.
- 5.6.1.3 With the handset held as described above, press the mode button to scroll through the functions until the symbols MAN and Zzz are flashing at the top of the display as shown below in figure 10.
- 5.6.1.4 Press and release the set button and this will put the control into the manual snooze mode.
- 5.6.1.5 The default time period in snooze mode is 1:00 hour.

Fig. 10



5.6.1.6 Pressing the set button again will now show you the snooze time period remaining. The snooze time period can be adjusted by pressing the + or - buttons on the handset. This time period can be set ranging from 1 minute to 4:00 hours.

5.6.1.7 To adjust the snooze period, hold the handset with one hand ensuring your hand is wrapped around the back and that your hand is in contact with both sides of the handset. The green light of the “unlock” symbol should light. Press the set button and the screen will show how long is left of the snooze period as shown below in figure 11.

Fig. 11



5.6.1.8 To adjust the snooze period use the + and - buttons to increase or decrease the snooze period for any period between 1 minute and 4:00 hours.

5.6.1.9 When the correct snooze period is indicated on the handset, press the set button to store the required time period, or alternatively the handset can be left for a few seconds and the period will be stored automatically.

5.6.1.10 When the countdown timer for the snooze period has reached zero the fire will turn off (as if you had turned the fire off manually).

5.6.2 THERMOSTATIC MODE

PLEASE NOTE : Thermostatic mode of this fire will only allow regulation of the room temperature by the fire when it has been already lit via manual operation of the handset. It will not allow the fire to light automatically due to low ambient room temperature and should therefore not be relied upon for frost protection purposes.

5.6.2.1 Hold the handset with one hand ensuring your hand is wrapped around the back and that your hand is in contact with both sides of the handset. The green light of the “unlock” symbol should light.

5.6.2.2 With the handset held as described above, press and release the mode button several times as necessary until the display has the thermometer symbol flashing at the top of the display. Press the set button to enter this mode, as shown below in figure 12.

Fig. 12



5.6.2.3 Press the set button again to see the temperature setting that is set (the default is 24 degrees celsius). If a different set temperature is required, whilst the display is showing this set temperature, press the + and - buttons to alter this setting, press the set button to store the required temperature, or alternatively the handset can be left for a few seconds and the temperature will be stored automatically.

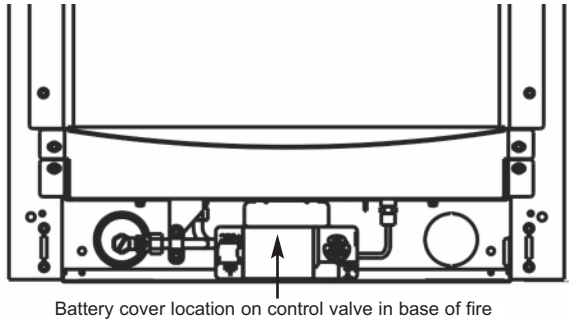
5.6.2.4 If at any time the power button is operated during thermostat mode the control will cancel any thermostat operation and return the control to manual mode.

5.6.2.5 **IMPORTANT NOTE : Thermostat mode will not light the fire automatically and will only regulate between the maximum and minimum burner setting. The fire must be lit manually via the handset and then you enter thermostat mode as described in this section and set the temperature. When no longer requiring thermostat mode turn off the burner and the handset will return to manual mode.**

5.7 MANUAL OPERATION OF THE FIRE - REMOTE CONTROL MODELS

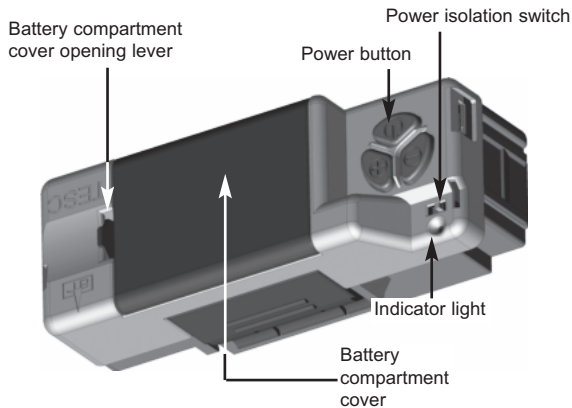
5.7.1 These products can therefore be operated manually should the need arise. The control valve is located at the base of the fire as shown below in figure 13.

Fig. 13



5.7.2 Ensure that the power isolation switch is in position “1” and the power indicator light is illuminated (red) as shown in figure 14 below.

Fig. 14



5.7.3 To operate the fire press and hold the “power” button as shown in figure 15, release as soon as the red indicator light in figure 15 above illuminates. The burner will start its ignition sequence and light to the maximum heat input level.

5.7.4 To reduce the heat input, press and release the (-) button to lower the heat input level one step at a time. Pressing the (-) button continuously will move the heat input level to the minimum.

5.7.5 To turn the fire off, press the power button and the burner will stop.

5.8 OPERATING THE FIRE - MANUAL CONTROL MODELS

The controls are located behind the ashpan cover which is situated behind the Ashpan / Fender. The controls, comprise a control valve to adjust the gas flow and a push button piezo igniter. To light the fire proceed as follows:-

- 5.8.1 Depress the control knob and turn anti-clockwise to the position marked pilot. Hold in the control knob for a few seconds to allow the gas to reach the pilot.
- 5.8.2 Continue to hold-in the control knob and press the igniter button. If the pilot does not light, continue to press the igniter button until ignition occurs. The pilot flame's reflection can be seen by looking at the left hand side front of the stainless steel side trim. When the pilot has lit, continue to hold the control knob in for 5-10 seconds to allow the thermocouple to heat up, if the pilot goes out when the control knob is released, repeat the lighting sequence.

In the unlikely event of a failure of the igniter, the fire can be lit as follows :-

Depress the control knob and turn anti-clockwise to the position marked pilot. Hold in the control knob for a few seconds to allow the gas to reach the pilot. Insert the tip of a lit taper in behind the front ceramic coals on the left hand side. This will light the pilot flame. When the pilot has lit, continue to hold the control knob in for 5-10 seconds to allow the thermocouple to heat up, if the pilot goes out when the control knob is released, repeat the lighting sequence.

- 5.8.3 After lighting, turn the control knob in the anti-clockwise direction to the high position and the main burner will light. It is recommended that for most efficient performance the fire is allowed to warm up for a few minutes with the gas control on maximum.
- 5.8.4 The gas control can be turned clockwise from the maximum position to give the desired heat output.

WARNING : If the fire goes out for any reason or is turned off and it is necessary to re-light the fire it is important to allow the fire to cool for 3 minutes before attempting to re-light it.

5.9 OPERATING THE FIRE - SLIDE CONTROL MODELS

The control comprises a control lever, to turn the fire on and off and adjust the gas rate. The control lever is located at the top right hand side of the fire. Depressing the control lever fully operates the igniter and lights the pilot flame and ignition rate gas. Once the pilot is established raising the lever allows medium and finally high gas settings. The fire is turned off when the control lever is fully raised.

To light the fire proceed as follows :-

- 5.9.1 Depress the control lever fully downwards to the position marked "Z". Hold down the control lever for a few seconds to allow the gas to reach the pilot.
- 5.9.2 The fire will then begin its ignition sequence. If the pilot does not light, continue to press the control lever until ignition occurs. The pilot flame can be seen at the rear right hand side of the burner. When the pilot has lit, continue to hold the control lever down for 5-10 seconds to allow the thermocouple to heat up, before releasing the lever apply one firm downwards push to ensure that the f.s.d. valve is fully latched, if the pilot goes out when the control lever is released, repeat the lighting sequence.

In the unlikely event of a failure of the igniter, firstly check the operation of the 1.5V battery and if necessary replace with a 'AA' size alkaline battery.

It is important that only an alkaline battery is used, otherwise premature battery failure and leakage may result. |

- 5.9.3 After lighting, move control lever up to the high position and the main burner will light. It is recommended that for the most efficient performance the fire is allowed to warm up for a few minutes with the flame adjuster set to the left hand position and the control lever set to high.
- 5.9.4 The gas control can be moved from the High to Low position to give the desired heat output and the flame control adjusted to give the most pleasing flame effect or maximum efficiency and output.

5.10 CLEANING INSTRUCTIONS

Before attempting any cleaning operation ensure that the fire has been allowed to fully cool.

5.10.1 Cleaning the metal painted parts / optional trim

These metal painted parts should only be cleaned using a clean, damp cloth. **Abrasive cleaners, chemical cleaning agents or any type of polish must never be used as damage to the finish may result.**

5.10.2 Cleaning the fuel-bed

We do not recommend cleaning of logs or fuelbed components as these are fragile and damage may result. **None of these parts must be washed or exposed to any cleaning agents or water.** Any damaged parts must be replaced by contacting your dealer or telephoning BFM Europe on the number stated on the rear cover of this book. Logs must only be replaced with a complete and genuine replacement set and the fire must never be run with the wrong number or damaged logs. The fuelbed must be carefully re-assembled as stated in the following section.

5.10.4 Cleaning the NON-REFLECTIVE glass panel - All models

This product is equipped with non-reflective glass which must be cleaned as follows or irreparable damage to the coating on the glass panel will occur. The manufacturers warranty will not cover damage by incorrect cleaning methods.

DO NOT USE ceramic glass cleaning agents.

DO NOT USE sharp objects or blades to remove marks.

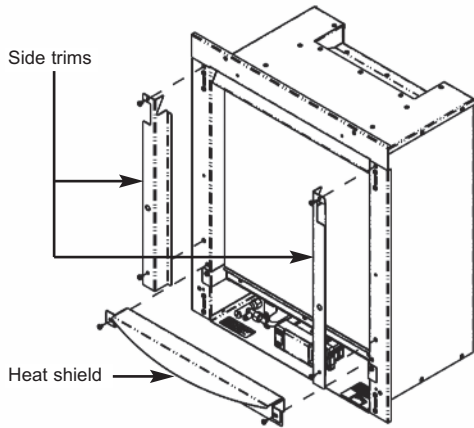
DO NOT USE dry cloths or wipes.

DO USE normal glass cleaner such as "Sidolin".

DO USE soft glass wipes.

DO USE damp cloths.

PLEASE NOTE :- The glass will require cleaning periodically. Condensation produced by the products of combustion will create marks on the inside face of the glass panel.



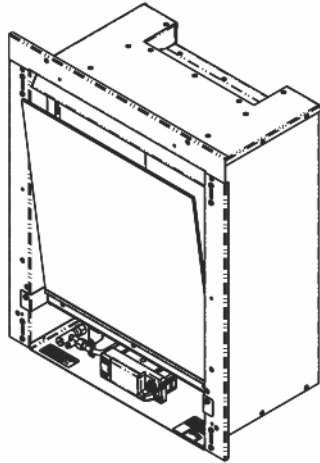
5.11 REMOVING / REPLACING THE GLASS PANEL

5.11.1
Remove
the burner
heat
shield

from the front of the firebox by removing left and right hand side trims, also held in screws as shown below in figure 15. Take care not to glass panel to fall forwards under its own weight.

the two screws. Remove the position by two allow the

Fig. 15

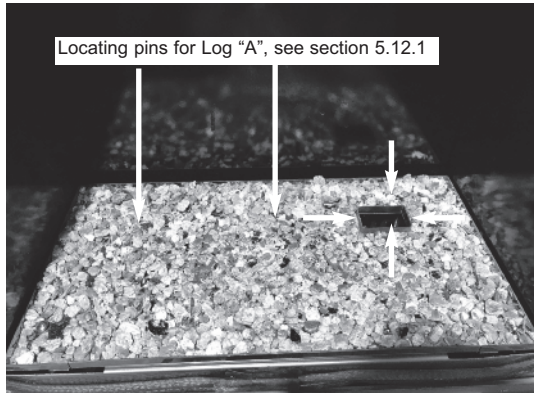


5.11.2 Tilt the glass panel forward to remove it as shown below in figure 16.

5.12 REMOVAL & RE-FITTING THE FUEL-BED LOGSET

- 5.12.1 Place a single, thin, even layer of vermiculite into the burner tray as shown below in figure 18. **Ensure that the layer of vermiculite is evenly distributed in the fuel-bed tray. Remove any vermiculite from the pilot aperture as indicated in figure 17. DO NOT USE BOTH NATURAL AND BLACK VERMICULITE SUPPLIED TOGETHER, SELECT AND USE ONLY THE PREFERRED OPTION.**

Fig. 17



- 5.11.2 Place log "A" onto the rear left hand side of the fuel-bed tray as shown below in figure 18, using the locating lugs as indicated above in figure 17 to ensure correct placement.

Fig. 18

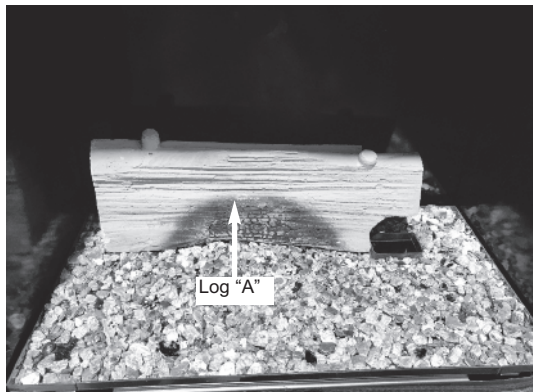
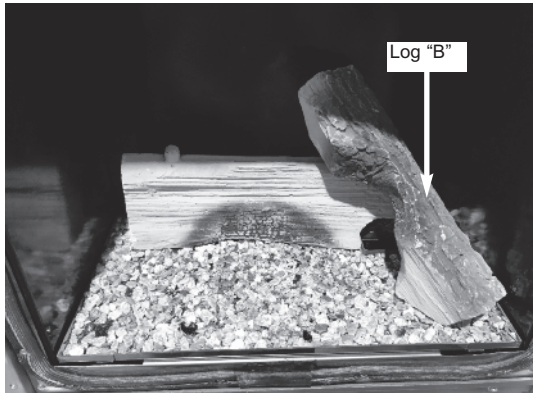


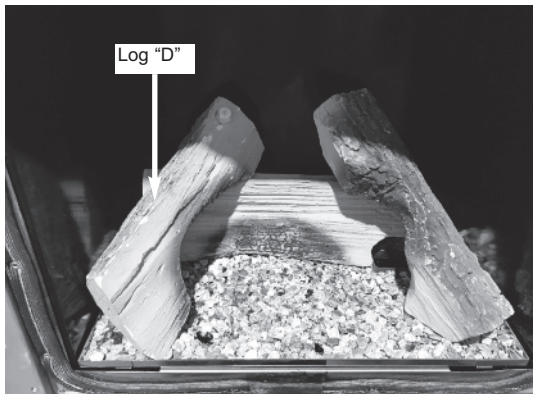
Fig. 16



5.11.3 Re-assemble in reverse order when re-fitting the glass panel.
DO NOT OPERATE THE FIRE WITHOUT THE GLASS PANEL IN POSITION OR NOT CORRECTLY LOCATED.

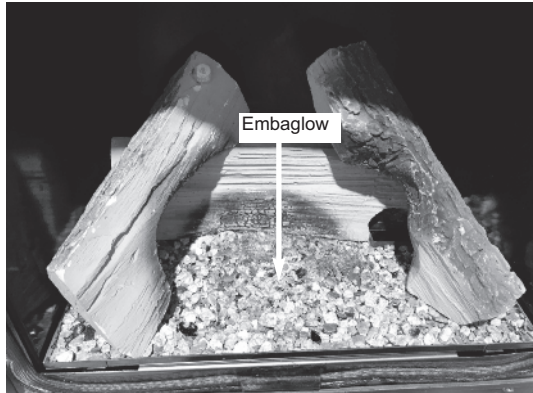
5.12.3 Place log "B" onto log "A" using the locating lug on log "A" as a guide for correct placement as shown below in figure 19.

Fig. 19



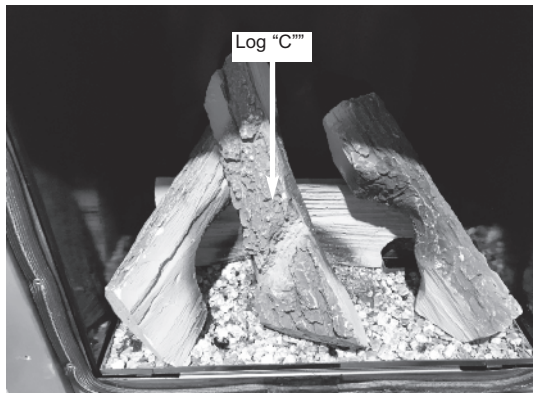
5.12.4 Place Log "D" onto Log "A" using the locating lug on log "A" as a guide for correct placement as shown below in figure 20..

Fig. 20



5.12.5 Place a layer of “embaglow” material as required. as shown below in figure 21.

Fig. 21



5.12.6 Place Log “C” onto Log “D” using the locating lug on log “A” as a guide for correct placement as shown below in figure 22

Fig. 22

Warning : Use only the logs supplied with the fire. When replacing the logs remove the old logs and discard them. Fit a complete set of logs of the correct type. Do not fit additional logs or any logs other than a genuine replacement set.

Protective clothing is not required when handling these articles, but we recommend you follow the normal hygiene rules of not smoking, eating or drinking in the work area, and always wash your hands before eating or drinking.

This appliance does not contain any component manufactured from asbestos or asbestos related products.

5.13 USER REPLACEABLE PARTS LIST

B-1003891	Non reflective glass panel
B-1029839	Complete log set
B-1029839A	Log "A" only
B-1029839B	Log "B" only
B-1008055C	Log "C" only
B-1029839D	Log "D" only
B-120070	Embaglow
CV-107116	Bag of natural vermiculite
B-1028774	Bag of black vermiculite

Due to our policy of continual improvement and development the exact accuracy of illustrations and descriptions contained in this book cannot be guaranteed.

TROUBLE SHOOTING ADVICE FOR REMOTE CONTROL CONTROL MODELS PRIOR TO REQUESTING A SERVICE CALL

Please locate the Indicator light on the control valve behind the ashpan cover (see figure 14 on page 61), if it shows **any** of the following flashing sequences then the problem requires the batteries in the control valve and / or handset changing, **be advised that service calls as a result of batteries requiring being changed in the product or handset are chargeable.**

- a) If the red indicator light flashes **ONCE** every ten seconds the batteries in the control valve require changing, see section 5.4.2
- b) If the red indicator light flashes **TWICE** every ten seconds the batteries in the handset require changing, see section 5.4.3
- c) If the red indicator light flashes **THREE** times every ten seconds the batteries in the control valve and the handset require changing, see section 5.4.2 / 5.4.3

If these red indicator light flashes are ignored then eventually this will show as a flash every second and your fire will cease to operate until the batteries are changed.

If a permanent red indicator light is shown after attempting to ignite the fire this signifies no spark or no gas at the pilot and therefore a service call will be required to diagnose the fault.

PLEASE ENSURE THIS ADVICE IS FOLLOWED TO AVOID BEING CHARGED FOR A SERVICE CALL AS A RESULT OF BATTERIES REQUIRING TO BE CHANGED.

Part No. B-1030731
Issue 2

The
Collection
by MICHAEL MILLER

BFM Europe Ltd.
Trentham Lakes
Stoke-on-Trent
Staffordshire
ST4 4TJ

www.bfm-europe.com

Telephone - General Enquiries : (01782) 339000
Telephone - Service : (01782) 339008