

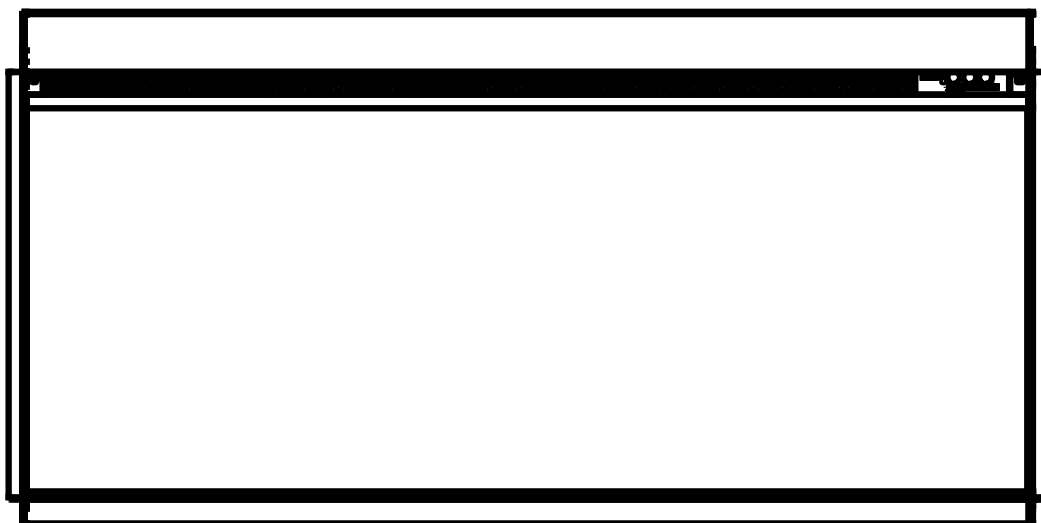
bemodern

FIRES | FIREPLACES

P R  Z M

REVOLUTIONIZING FLAMES

ART E O N - Pryzm 3 Sided Fire
1000 3SL – 1250 3SL -1500 3SL



Prior to installing this product locate the data label and note the model and serial number. This is required when registering your guarantee.

Model: _____

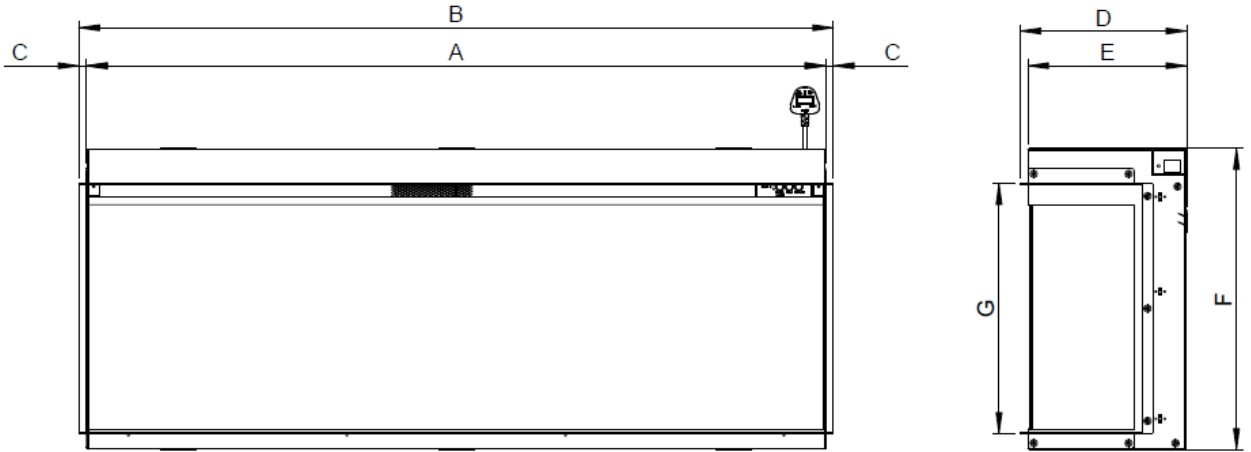
Serial Number: _____

Instructions For Installation & Operation

Contents

	Page
Technical Specification	3 - 4
Important Safety Information	5 - 6
Manual Handling	6
Contents of the Box(es)	7
Unpacking The Fire	8 - 9
Preparing the Fire	10 - 11
Installation – Stud wall	12 - 13
Installing The Fire	14
Fuel Bed Layout	15
Log Positioning	15
Replacing the Glass	16
User Instructions	17 - 23
Maintenance	24
Troubleshooting	24
General information	25
Guarantee	26

Technical Specification



Detailed: 3 Sided Fire Set Up

Fire	Logs	Dimensions (mm)						
		A	B	C	D	E	F	G
ARTEON PRYZM 5D 1000 3SL- 2959	6	1002	1028	13	257	244	511	422
ARTEON PRYZM 5D 1250 3SL- 3098	8	1252	1278	13	282	269	511	422
ARTEON PRYZM 5D 1500 3SL- 3099	9	1502	1528	13	282	269	511	422

Tolerance +/- 1mm

Fire	Visible Glass Area (mm)		Boxed Weight (Kg)
	W	H	
ARTEON PRYZM 5D 1000 3SL- 2959	995	380	50
ARTEON PRYZM 5D 1250 3SL- 3098	1245	380	60
ARTEON PRYZM 5D 1500 3SL- 3099	1495	380	70

Note: The above image and dimensions detail the fire set up for a **3 sided** installation- adjust the dimensions accordingly for **2 sided (B-13mm)** and **1 sided (B-26mm)** installation.

Technical Specification *Continued*....

Model No: **2959** (1000 3SL), **3098** (1250 3SL), & **3099** (15000 3SL)

Supply Voltage: AC 230-240V 50Hz

Maximum power consumption: 1534W

Power for flame effect: **2959:** 8W
 3098: 11W
 3099: 14W

Power for fuel bed **2959:** 5.8W
 3098: 7.7W
 3099: 8.7W

Power for down light: **2959:** 0.8W
 3098: 1.6W
 3099: 1.6W

Power for mood light: **2959:** 10W
 3098: 10W
 3099: 10W

Heat Output:

Nominal heat output (Pnom): 1378-1500W

Minimum heat output (indicative) (Pmin): 750W

Maximum continuous heat output (Pmax): 1500W

Auxiliary Electricity Consumption:

At nominal heat output (elmax): 12.5W

At minimum heat output (elmin): 12W

In standby mode (elSB): 0.49W

Type of heat output / room temperature control

Single stage heat output and no room temperature control	No
Two or more manual stages, no room temperature control	No
With mechanic thermostat room temperature control	No
With electronic room temperature control	Yes
Electronic room temperature control plus day timer	Yes
Electronic room temperature control plus week timer	Yes

Other Control Options

Room temperature control, with presence detection	No
Room temperature control, with open window detection	Yes
With distance control option	No
With adaptive start control	Yes
With working time limitation	No
With black bulb sensor	No

Important Safety Information

Read all the instructions carefully before using the appliance.

For indoor use only. This appliance is not suitable for use outside the house and only suitable for well insulated spaces or occasional use.

Do not use this appliance in the immediate surroundings of a bath, a shower or a swimming pool.

Do not use this fire as a free-standing appliance. It must always be fixed to the wall, fireplace mantel, floor etc.

This fire must not be located immediately below a socket-outlet.

This appliance must be earthed.

This appliance must not be supplied through an external switching device, such as a timer, or connected to the circuit that is regularly switched on and off by utility in order to avoid a hazard due to the inadvertent resetting of the thermal cut out.

A non-rewireable plug fitted with a 13A fuse is supplied. Should the fuse or plug need replacing, and you are competent to do so, it must be replaced with a 13A fuse or plug being 13A BS1363A approved.

If the power cord is damaged, it must be repaired by the manufacturer, its authorised service centre or professional person.

The meaning of this symbol  is **DO NOT COVER** **Warning:** in order to avoid overheating, do not allow the appliance to be covered or let the air inlet/outlet become obstructed.

To reduce the risk of fire, keep textiles, curtains, or any other flammable material a minimum distance of 1 meter from the air outlet.

Keep the power cord away from hot surfaces and hot conditions. Do not route the power lead in front of the appliance.

Do not use this fire in rooms that have explosive fumes in them (for example petrol), or if you are using solvents, glue, aerosol spray or in flammable paints, as these may catch fire.

This appliance can be used by children aged from 8 years and above and persons with reduced physical, sensory or mental capabilities or lack of experience and knowledge if they have been given supervision or instruction concerning use of the appliance in a safe way and understand the hazards involved.

Children and vulnerable people must be supervised at all times when using this appliance, as some parts can become very hot and cause burns.

Do not use this appliance in small rooms when they are occupied by persons not capable of leaving the room on their own, unless constant supervision is provided.

Cleaning and user maintenance shall not be made by children without supervision.

Children aged from 3 years and less than 8 years only can switch on / off the appliance provided that it has been placed or installed in its intended normal operating position and instructions and supervisions concerning the safe way of the use of the appliance are offered. Children aged from 3 years and less than 8 years shall not plug in, regulate and clean the appliance or perform user maintenance.

Important Safety Information *Continued.....*

This appliance shall not be played with by children.

Children of less than 3 years should be kept away unless continuously supervised.

Keep the power plug accessible after installation.

Manual Handling

BEFORE STARTING THE INSTALLATION OF THIS FIRE, PLEASE READ THE FOLLOWING:

CAUTION: This appliance is heavy. Always seek assistance whilst unpacking and/or during installation.

The installation should be carried out by **two adults** to avoid injury or damage. If for any reason it is considered too heavy, please obtain assistance.

Always use the handles on the rear of fire where possible.

When lifting the electric appliance, always keep your back straight. Bend your legs and not your back. Avoid twisting at the waist. It is better to reposition your feet.

Avoid upper body / top heavy bending. Always bend from the knees rather than the waist. Do not lean forward or sideways while handling the fire.

Always grip the fire with the palm of the hand – do not use the tips of fingers for support.

Always keep the fire as close to the body as possible. This will minimize the cantilever action.

Use gloves to provide additional grip.

Contents of the box(es)

Box- 050164- (1000-3SL)

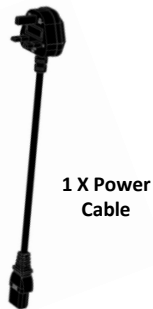
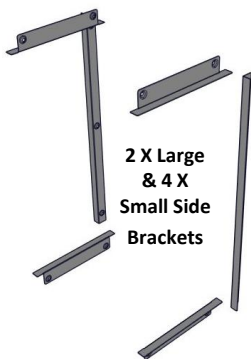
Quantity	Description	Quantity	Description
1	ARTEON PRYZM 1000-3SL- Electric Fire Engine	2	Bags of Grey Slate (Large Box Inside Fire)
6	Logs (Small Box Inside Fire)	1	Fire Remote Control & 2 x AAA Batteries (Large Box Inside Fire)
2	Bags of Crystals (Large Box Inside Fire)	4	Short Side Brackets (Large Box Inside Fire)
3	Bags of Pebbles (Large Box Inside Fire)	2	Long Side Brackets (Large Box Inside Fire)
2	Bags of Bark (Large Box Inside Fire)	1	Power Cable - Plug (+1.8M Cable) (Large Box Inside Fire)

Box- 050172- (1250-3SL)

Quantity	Description	Quantity	Description
1	ARTEON PRYZM 1250-3SL- Electric Fire Engine	3	Bags of Grey Slate (Large Box Inside Fire)
8	Logs (Small Box Inside Fire)	1	Fire Remote Control & 2 x AAA Batteries (Large Box Inside Fire)
3	Bags of Crystals (Large Box Inside Fire)	4	Short Side Brackets (Large Box Inside Fire)
3	Bags of Pebbles (Large Box Inside Fire)	2	Long Side Brackets (Large Box Inside Fire)
3	Bags of Bark (Large Box Inside Fire)	1	Power Cable - Plug (+1.8M Cable) (Large Box Inside Fire)

Box- 050180- (1500-3SL)

Quantity	Description	Quantity	Description
1	ARTEON PRYZM 1500-3SL- Electric Fire Engine	4	Bags of Grey Slate (Large Box Inside Fire)
9	Logs (Small Box Inside Fire)	1	Fire Remote Control & 2 x AAA Batteries (Large Box Inside Fire)
4	Bags of Crystals (Large Box Inside Fire)	4	Short Side Brackets (Large Box Inside Fire)
3	Bags of Pebbles (Large Box Inside Fire)	2	Long Side Brackets (Large Box Inside Fire)
3	Bags of Bark (Large Box Inside Fire)	1	Power Cable - Plug (+1.8M Cable) (Large Box Inside Fire)



Box- 050199- Sold Separately

LED Light Set- 1m Fly Lead plus 3m LED Lights can be purchased separately.

Note: Compatible LED Light Set are available from **Bemodern Ltd.** Other makes may not be suitable, and will void the warranty.

Please ensure all fixings are present before commencing installation. If anything is missing please call Customer Services on 01914300901 or email us at customerservices@bemodern.co.uk

Unpacking The Fire

Note: The fire is a two adult person lift. A second person will be required to lift and support the fire during installation.

Before the fire can be installed, consideration will need to be given to routing the power supply to the fire. This will affect the stages of the installation process. We advise a qualified electrician conduct any electrical parts of the installation.

Note: An accessible single socket is required for the operation of the fire.

Unpack your new fire- **DO NOT** dispose of the packaging until you have checked and made sure all the parts and fixings listed on **Page 7** are present.

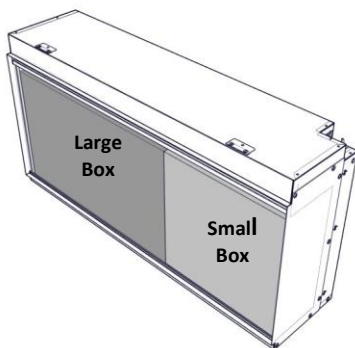


Diagram 1

Once the fire is unpacked the **2 X Cardboard Boxes** inside the fire need to be removed and the contents checked, as listed on **Page 7**.

See **Diagram 1**.

Note: The fire is a two adult person lift.

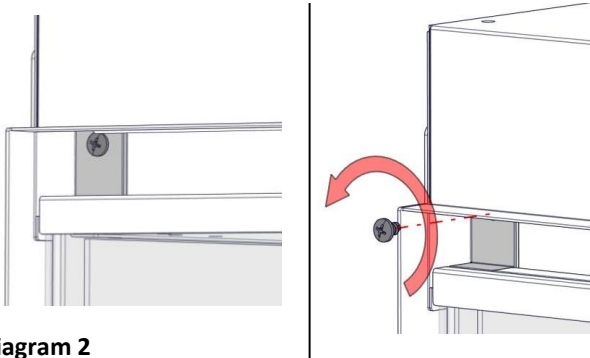


Diagram 2

To do this, unscrew the **2 X Screws** holding the **Glass Bracket** in place.

See **Diagram 2**.

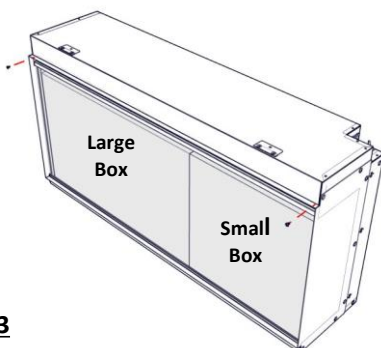


Diagram 3

There is **1 X Screw** either side of the fire.

See **Diagram 3**.

Please ensure all fixings are present before commencing installation. If anything is missing please call Customer Services on 01914300901 or email us at customerservices@bemodern.co.uk

Unpacking The Fire *Continued*....

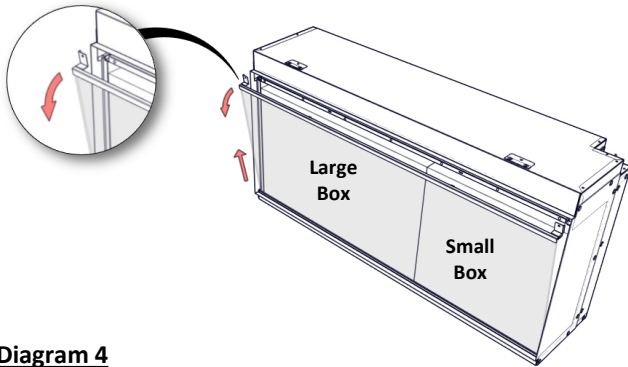


Diagram 4

Once the screws are removed- the **Glass** and **Glass Bracket** can be angled forward from the top of the fire and lifted out of the channel at the base of the glass.

Note: Place the Glass, Glass Bracket and 2 X Screws in a safe place- these will be required later.

See Diagram 4.

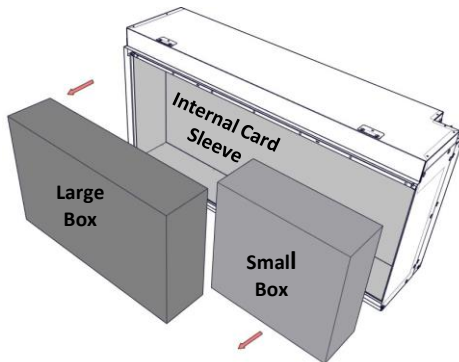


Diagram 5

Remove the 2 X Cardboard Boxes from inside the fire and depending on the model purchased, check the contents as listed on Page 7.

Tip- Leave the protective internal card sleeve in place. This will help keep the internal of the fire clean during installation.

See Diagram 5.

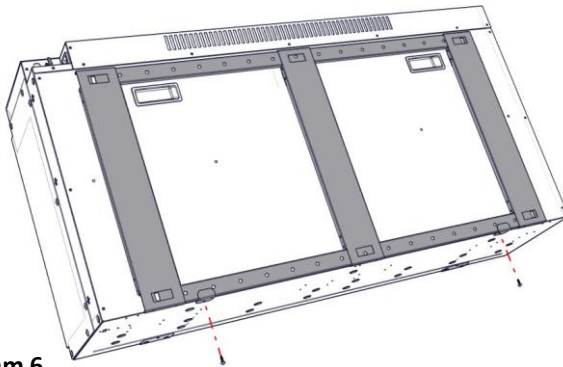


Diagram 6

For installation into a **floor to ceiling stud wall**, the **Rear Mounting Bracket** must be first removed from the fire.

With the fire positioned on the floor lean the fire forward and remove the 2 X Screws holding the bracket in place.

See Diagram 6.

Note: For other methods of installation, the Rear Fixing Bracket maybe required to fix the fire to the wall. Please ensure that suitable fixings are used dependent on the wall medium.

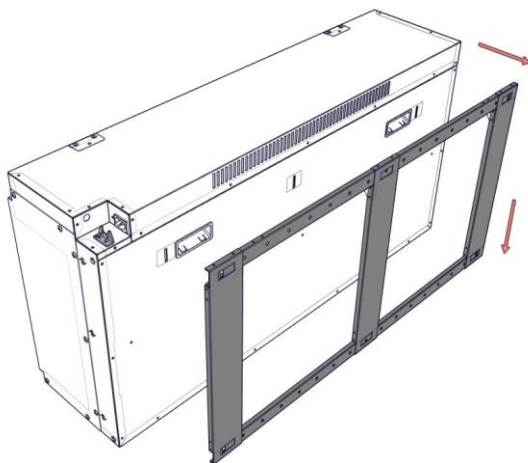


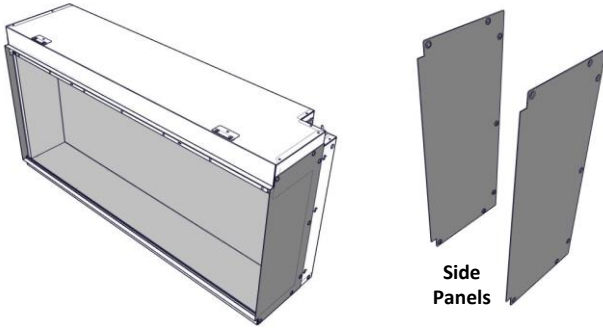
Diagram 7

Once the screws are removed- lower the bracket and lift the bracket away from the rear of the fire.

The bracket and screws are no longer required, please discard.

See Diagram 7.

Preparing the Fire



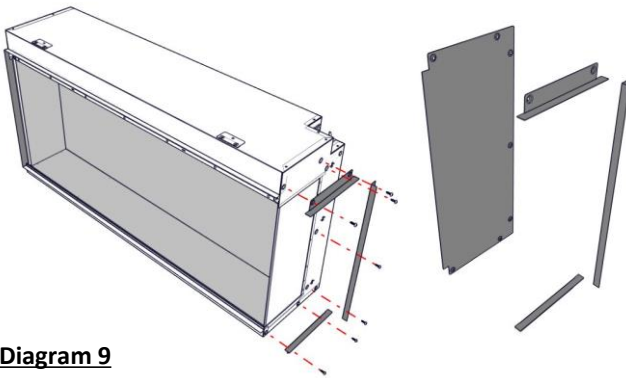
1 Sided (Fully Recessed) Installation

The fire comes out the box, already set up for **1 sided** installation.

The 2 X **Side Panels** will be **fixed** to the fire.

See Diagram 8

Diagram 8



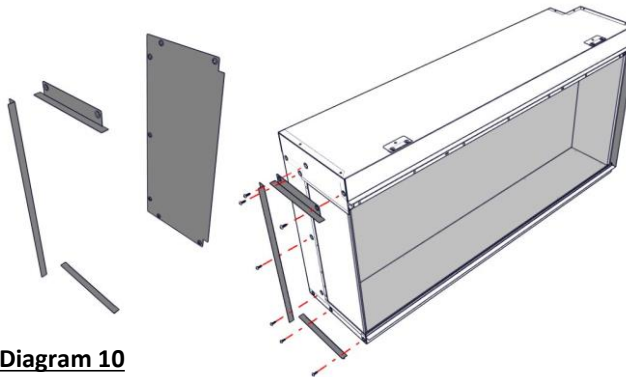
2 Sided Installation- Right Hand

Leaving the left hand side panel **fixed**.
Remove the **7 X Screws** and the **right** hand side panel from the fire.

Locate the **2 X Small Side Brackets** and **1 X Large Side Bracket** and fix in place using the previously removed **7 X Screws**.

See Diagram 9

Diagram 9



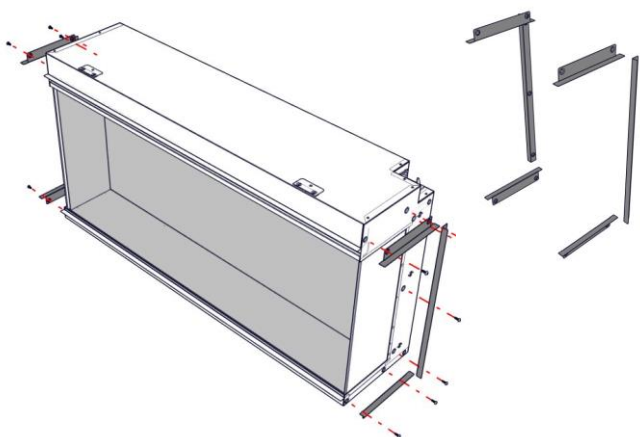
2 Sided Installation- Left Hand

Leaving the right hand side panel **fixed**.
Remove the **7 X Screws** and the **left** hand side panel from the fire.

Locate the **2 X Small Side Brackets** and **1 X Large Side Bracket** and fix in place using the previously removed **7 X Screws**.

See Diagram 10

Diagram 10



3 Sided Installation

Remove the **14 X Screws** and the **left** hand and **right** hand side panels from the fire.

Locate the **4 X Small Side Brackets** and **2 X Large Side Brackets** and fix in place using the previously removed **14 X Screws**.

See Diagram 11

Diagram 11

Preparing The Fire *Continued*....

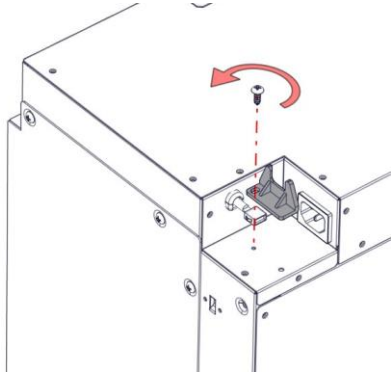


Diagram 15

Before fitting the fire ensure the power cable is installed.

Remove the **1 X Screw** holding the power cable **fixing clip** in place.

See Diagram 15

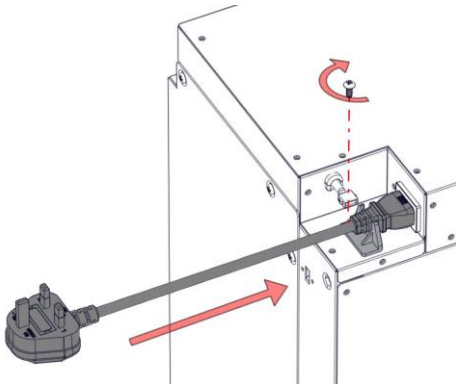


Diagram 16

Once removed place the cable clip under **IEC** end of the power cable - insert the **IEC** into the connector port on the fire.

Finally screw the cable clip back in place.

See Diagram 16

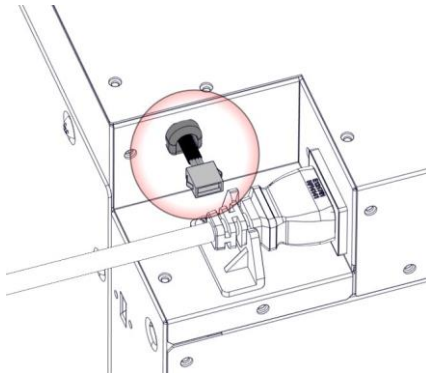


Diagram 17

If installing the **Optional** Led Light Set, familiarise yourself with where the LED Light Set connects into the fire.

See Diagram 17

1m Fly Lead plus 3m LED lights are provided in a set.

Note: A compatible **LED Light Set** is available from **Bemodern Ltd. (Code: 050199)**. Other makes may not be suitable, and will void the warranty.

Installation- Stud wall

Once the fire has been prepared, use the following opening dimensions to construct the stud wall which the fire will be housed in.

The stud wall must include a **header** as specified in the following diagrams. This is to ensure that the weight of the finished wall is not resting on top of the fire. The base of the opening/stud work must also be able to take the full weight of the appliance.

The fire should be positioned on a firm level surface and in a clean 'dust free' environment. If fitted into an open chimney, the chimney must be blocked off to reduce the risk of draught and damp through the fire, which may cause the safety cut out system in the fan heater to operate.

Note: Any protruding headers MUST be made of a non-combustible material.

To install into a stud wall the mounting bracket must be removed from the rear of the fire as previously shown in **Diagram 6 and 7, Page 9.**

Once the stud wall has been constructed and secured to the wall and the fire is in its final position, ensure that the power cable has been installed- **See diagrams 15 &16, Page 11** and there is power to the fire before any cladding /plasterboard is installed.

Ensure the design of the stud wall allows for the plug or fuse spur to be easily accessible.

Note: The following diagrams are examples of how the stud wall could be constructed- Please adjust to your bespoke design, ensuring the 'required opening sizes' detailed in the following tables are adhered to. This will ensure the minimum clearances are maintained during installation.

1 Sided (Fully Recessed) Installation

REQUIRED OPENING DIMENSIONS (mm)

FIRE	W	H	D
1000 3SL	1003	515	255
1250 3SL	1253	515	280
1500 3SL	1503	515	280

Note: Ensure there is a minimum 10mm clearance between the fire and the wall behind.

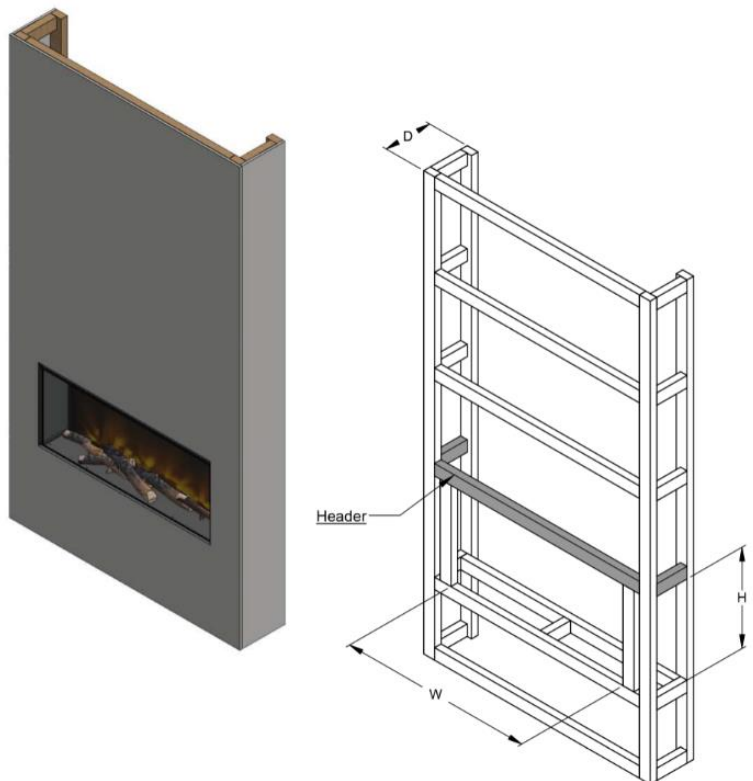


Diagram 12

Installation- Stud wall *continued....*

2 Sided Installation

REQUIRED OPENING DIMENSIONS (mm)

FIRE	W	H	D
1000 3SL	1003	515	246*
1250 3SL	1253	515	271*
1500 3SL	1503	515	271*

* + TT- Timber Thickness

Note: Ensure there is a minimum 10mm clearance between the fire and the wall behind.

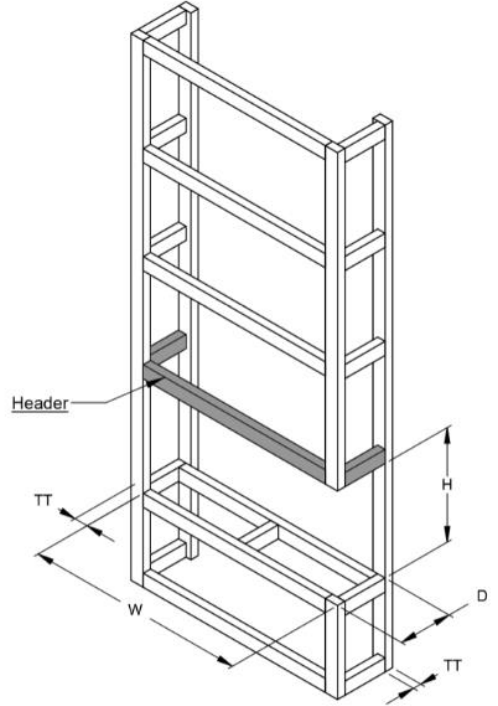


Diagram 13

3 Sided Installation

REQUIRED OPENING DIMENSIONS (mm)

FIRE	W	H	D
1000 3SL	1003	515	246*
1250 3SL	1253	515	271*
1500 3SL	1503	515	271*

* + TT- Timber Thickness

Note: Ensure there is a minimum 10mm clearance between the fire and the wall behind.

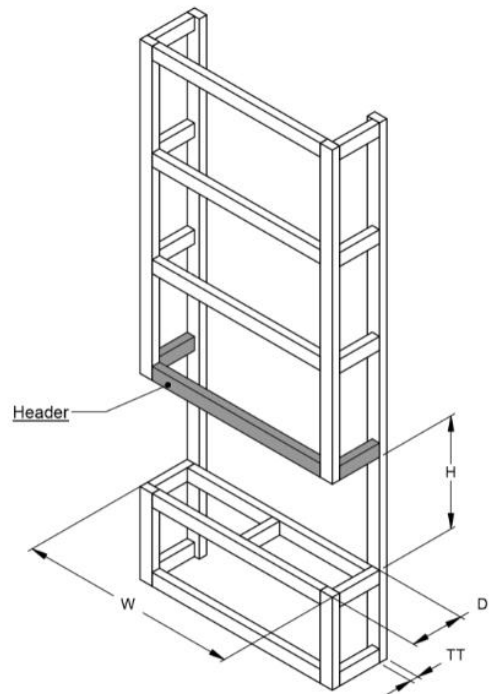


Diagram 14

Installing The Fire

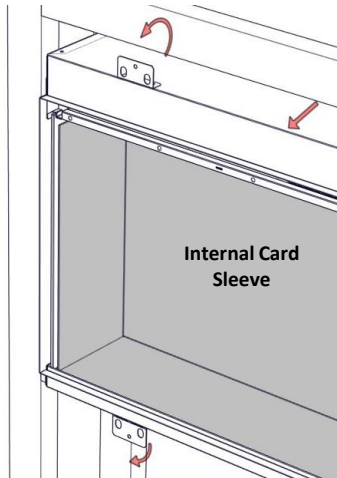


Diagram 18

Note: The fire is a two adult person lift

Lift the fire into the stud wall opening- leaving approx. **50mm** of the fire protruding to the front.

Unfolded the **fixing brackets** at the top and bottom of the fire.

See **Diagram 18**

Tip: Leave the protective internal card sleeve in place. This will help the keep the internal of the fire clean during the plastering/finishing stage of installation.

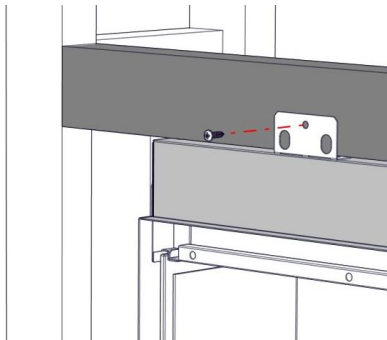


Diagram 19

Once the brackets are unfolded push the fire into position, ensuring the face of the fire is flush with the face of the stud wall.

If the faces are not flush- there is adjustment on the top and bottom fixing brackets. Adjust accordingly.

Note: The brackets will sit proud of the finished surface.

Once in place screw through the holes in the **fixing brackets**- securing the fire to the stud wall. **Note:** These screws **are not** provided.

See **Diagram 19**

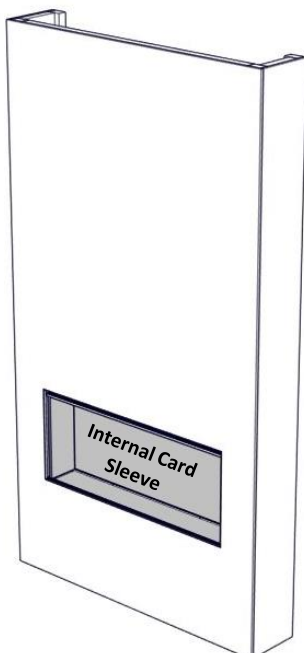


Diagram 20

Note: Before proceeding further ensure there is power to the fire and it is operating correctly.

Note: If the optional Led light Kit has been purchased ensure this has been connected to the relevant port on the fire- See Diagram 17- Page 11.

Note: Ensure the plug and fuse spur can be fully accessible once the cladding/plasterboard is installed.

Once the above has been checked- Clad/plasterboard, skim and finish the stud wall and remove the internal card sleeve and discard.

See **Diagram 20**

Tip: Position the sealed edge of the plasterboard against the fire brackets protruding from the fire., This will help maintain a clean/sharp edge.

The fuel bed can now be dressed and the logs positioned.

See **Diagram 21- 24- Page 15**

Fuel Bed Layout & Log Positioning

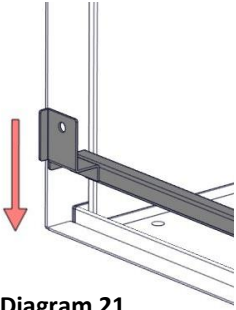
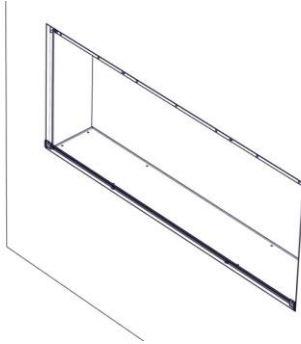


Diagram 21



Tip: Before dressing the fuel bed- position the previously removed glass bracket in the channel in the base of the fire, this will help to stop the smaller fuel bed material falling into the channel during installation.

See Diagram 21

The dressing of the fuel bed can be **fully tailored** to the customers **individual tastes**. A sufficient amount of each fuel bed finishing material has been provided to cover the fuel bed in a **single type** of material.

Fuel Bed Dressing- As a starting point follow the example below:

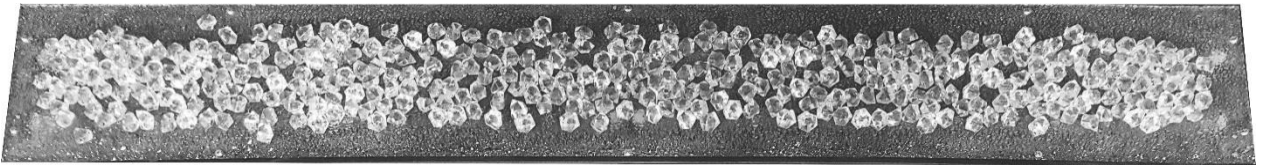


Diagram 22- Place a large amount of **crystals** in the centre of the fuel bed- leaving a gap around the edges.

Tip- The crystals pick up light from the under bed lights to give you a realistic glowing ember effect, so we recommend using a generous amount.



Diagram 22- Fill the space around the edges of the crystals with the **pebbles**, as well as randomly in between the crystals.

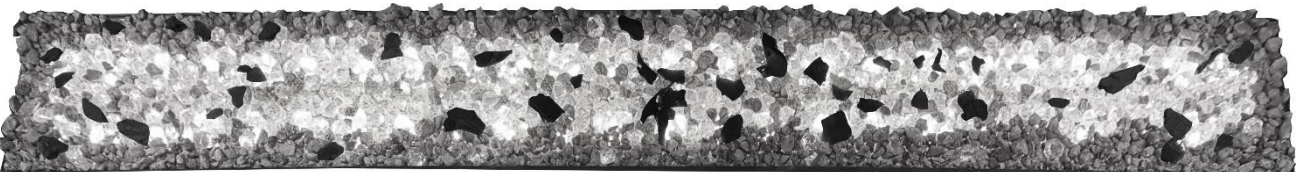


Diagram 23 - Add the bark and/or the grey slate sparingly and randomly across the top of the crystals and pebbles. **Finally arrange the logs on top.**

Positioning the logs- As a starting point follow the example below:



Diagram 24- Above shows an example of the 6 X log set up for the **Arteon 1000 3SL** .

For the **Arteon 12503SL**, centralize the **1000 3SL 6 X** log arrangement on the fuel bed and add the smaller logs at either end of the log arrangement.

For the **Arteon 15003SL**, offset the **1000 3SL 6 X** log arrangement **to the right** leaving enough room for **1 X** smaller log to the **right**. Finally position the remaining **2 X** smaller logs to the left of the arrangement.

Replacing The Glass

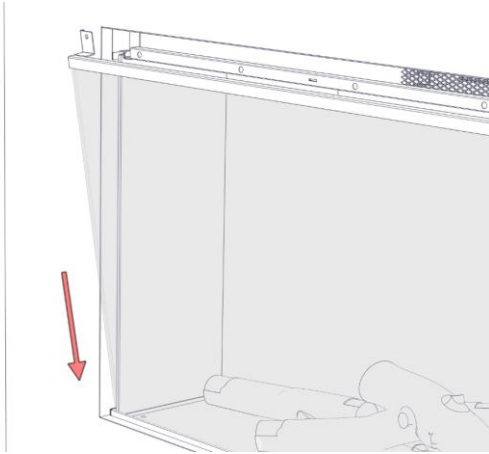


Diagram 26

Finally the **Glass** and **Glass Bracket** can be refitted, using the previously removed **2 X Screws**.

Tip- Check the channel in the base of the fire is free of any fuel bed material before proceeding further.

Centralize the **Glass Bracket** on top of the **Glass**.

Tip- Ensure the rear of the glass is clean before fixing in place.

With the cleaned **Glass** and **Glass Bracket** angled forward slightly, position in the channel in the base of the fire.

See Diagram 26

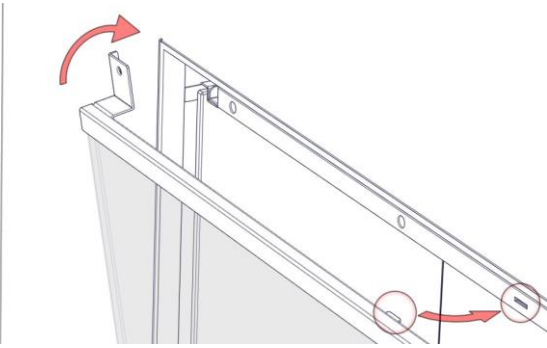


Diagram 27

Carefully push the **Glass** and **Glass Bracket** back towards the installed fire ensuring the **tabs** on the Glass Bracket align with the **cut outs** on the fire and that the **holes** on the Glass Bracket align with the **holes** on the fire.

See Diagram 27

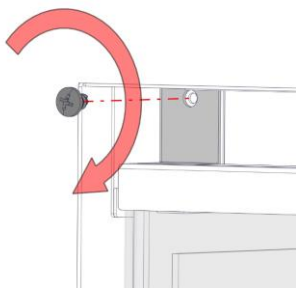
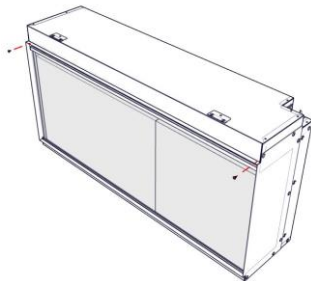


Diagram 28



Once in the correct position secure with the **2 X Screws**. **1 X Screw** either side of the fire.

See Diagram 28

The installation is now complete.

For manual and remote operating instructions See pages 17-23

User Instructions

WARNING! Do not operate the appliance if it is damaged or has malfunctioned. If you suspect the appliance is damaged or has malfunctioned call a qualified service engineer to inspect the appliance, and replace any part of the electrical system if necessary, before reuse.

WARNING! To reduce the risk of fire, keep textiles, curtains, or any other flammable material a minimum distance of 1 meter from the air outlet.

MAKE SURE the plug fits tight in the outlet. Faulty wall outlet connections or loose plugs can cause the outlet to overheat.

Do not disconnect the power at the mains supply whilst the appliance is running. Use the functions on the remote to turn the fire off and ensure the mains switch has been moved to the off position before disconnecting.

PREPARATION FOR USE

The appliance can be operated by both remote control and the manual controls on the appliance. **NOTE:** To use either the remote or the manual functions the main on / off switch must be in 'ON' position.

Batteries

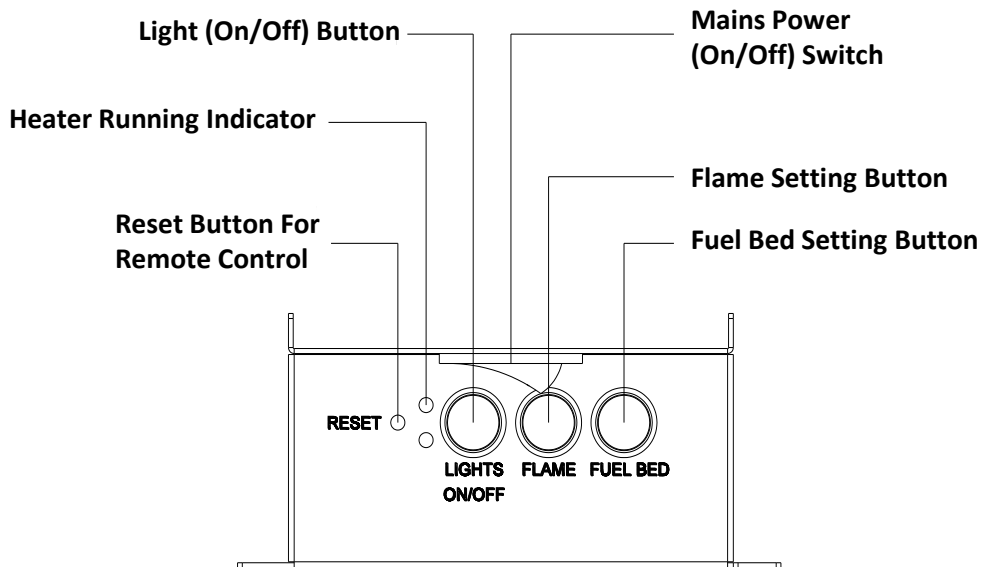
Ensure that the handset batteries are new and inserted correctly.

Main Power Switch

The mains power switch is located on the control panel on the top right- hand side of the heater box. This needs to be switched **ON** before operating either the remote or manual controls. A long beep will be heard to indicate the fire is ready for use.

User Instructions *Continued.....*

Manual Control Panel



NOTE: The manual buttons control basic functions, not a full range of controls. Use the remote handset to carry out all functions.

The user controls on appliance are located on the upper right side of the appliance. Turning on the appliance with the main power switch to “—” position. A long beep will be heard.

Press “LIGHTS ON / OFF” to turn on or turn off the flame effect.

Press “FLAME” button to cycle through the 3 colours of flame effect.

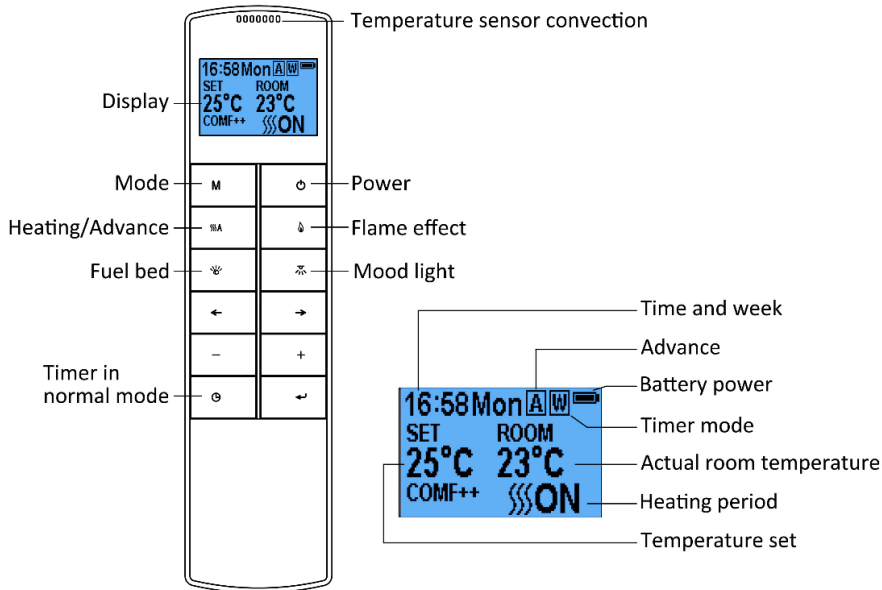
Press “FUEL BED” button to cycle through the 13 colours or a colour-cycle mode and OFF settings.

Note: The controls on appliance will lose the memory for all function settings when the switch is set to the Off Position.

When the remote runs out of power or when you change the batteries, the flame function will lose its memory, however this will not affect the timer settings, the clock and date may need to be adjusted.

User Instructions *Continued.....*

Remote Control Operation



NOTE: This is a thermostatic remote control. The remote should be in the same room as fireplace and placed on a flat surface. It must be placed away from the fire so the hot air will not blow on it and affect thermostatic reading.

The communication between the remote and appliance will already be established. Please read **Page 22** "Pairing the handset to the appliance" to set it up if you can't operate the appliance with the remote.

Standby For Remote Handset

The screens shown below are when the remote handset is in standby mode.






Before Day / Time set up




After Day / Time set up

Turn On / Off

- Press  to turn on the flame effect.
- Press  to turn off all the functions under the normal mode including flame effect and heater fan.
- Press  to turn off the flame effect under daily and weekly timer mode.

Flame Effect


- Press  to enter the flame effect adjustment screen.
- Press the '←' or '→' button to select **1** of the **3** flame effect colours.
- Press the '+' or '-' button to select **1** of the **5** brightness levels for the flame effect and **OFF** setting.



User Instructions *Continued.....*

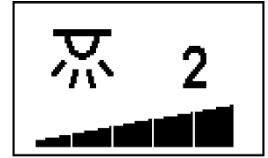
Remote Control Operation *Continued...*

Mood Light

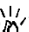
Press  to enter the fuel bed light adjustment screen.

Press the '←' or '→' button to cycle through the **13** colours of fuel bed or the colour-cycle mode. (Setting **14**)

Press the '+' or '-' button to select **1** of the **5** brightness levels for the mood lighting and the **OFF** setting.

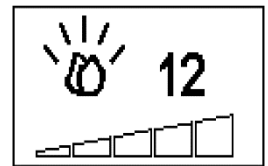


Fuel Bed Colour


Press  to enter the fuel bed light adjustment screen.

Press the '←' or '→' button to cycle through the **13** colours of fuel bed or the colour-cycle mode. (Setting **14**)

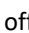


Press the '+' or '-' button to select **1** of the **5** brightness levels for the fuel bed and the **OFF** Setting.



Normal Mode

Normal control mode is factory set. Or press **M** button until the logo  shows up at the upper right corner of the screen.

Press the '+' or '-' button to adjust the temperature setting from **17°C to 25°C** (increments of **2°C**)

Press  **A** button to turn on / off the heat,  **ON**,  **OFF** will show at the lower right corner of the screen.

In order to prevent the product becoming too hot, there is a **10** second delay when turning on the heater and a **10** second delay when turning off the heater fan.



Note: It is normal for the fan heater to stop running for periods of time.

This happens because the room temperature is at or above the temperature set on the remote control.

The heater indicator  will be turned off after **10** seconds if you have the flame effect **ON**.

The heater indicator will stay **ON** if you use the heating function only and the flame effect is **OFF**.

Timer Function

Note: This setting is only for normal mode. It allows the appliance to be returned to Standby after a set period of time.

Press  to cycle through the settings from **Off**, 0.5 hours to 9 hours.

The timer logo and time will show on the screen. **The heater must be in the ON position.**

The heater can be automatically run by using daily timer and weekly timer on the remote.




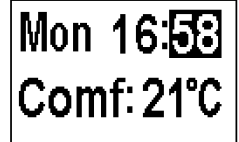
Continued Page 21.....

User Instructions *Continued.....*




Remote Control Operation *Continued...*

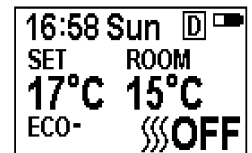
Weekly / Daily Timer And Comfortable Temperature Setting

Press  to turn on the remote handset.
 Hold the **M** button for **3** seconds to enter the setting screen.
 Press the '**←**' or '**→**' button to choose day, time or comfortable temperature.
 The selected character will be highlighted
 Press the '**+**' or '**-**' button to adjust the number
 Time: 24-hour system
 Select your comfortable temperature from **17-25°C**.
 Temperature unit: **°C, °F**



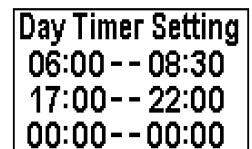
Daily Timer Mode

Press **M** until  shows at the upper right corner of the screen, then enter the daily timer heating mode.
 Hold the button  for **8** seconds to enter the daily heating setting.
 Max **3** timed heating periods per day.
 Press '**←**' or '**→**' to choose hour or minute, press '**+**' or '**-**' to set the time.
 Minute setting increases / decreases by **15** minutes per press.
 Press the '**←**' or '**→**' to move to the next line or time setting on the current line
 press the '**→**' on the last line to return to the first time setting line.
 Hold  for **3** seconds or wait for **8** seconds to save and exit the heating time period setting.



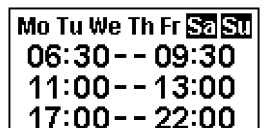
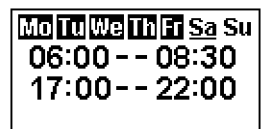
Adjusting The Temperature Setting



Press the '**+**' or '**-**' button to increase or decrease the temperature setting on the basis of your comfort temperature setting.
 ECO means **2°C** lower than your comfortable temperature setting
 ECO- means **4°C** lower
 COMF+ means **2°C** higher
 COMF++ means **4°C** higher.



Weekly Timer Mode

The following pre-set heating periods can be altered if desired.
 From Monday to Friday
 06:00 until 08:30 | 17:00 until 22:00
 From Saturday to Sunday
 06:30 until 9:30 | 11:00 until 13:00 | 17:00 until 22:00



Press **M** until  shows at the upper right corner of the screen, then enter the week heating mode.
 Hold  button for **8** seconds to enter the weekly timer heating mode setting.



User Instructions *Continued.....*

Remote Control Operation *Continued...*

Press '←' or '→' to move the cursor (a flashing underline), press the ↵ button in the corresponding week position to select (the character is highlighted) or cancel (the character is displayed normally) the current setting. Several time periods can be selected together.

Press the '→' button to move the cursor to the time period setting area. Press '←' or '→' to choose hour or minute, press '+' or '-' to set the number.

Max 3 heating periods for a day.

Minute will increase/decrease by 15 minutes per press.

Press the '←' or '→' to move to the next line or time setting on the current line, press the → on the last line to return to the first time setting line.

Hold ↵ 3 seconds or wait for 8 seconds to save and exit the heating time period setting.

Press, ↵'←' and '→' to check your week Timer settings.

If the heating needs to be turned off, it will be necessary to go back to the Normal Control Mode to turn off.

Mo	Tu	We	Th	Fr	Sa	Su
06:00	--	--	08:30			
17:00	--	--	22:00			

Mo	Tu	We	Th	Fr	Sa	Su
06:30	--	--	09:30			
11:00	--	--	13:00			
17:00	--	--	22:00			

Advance mode

Under the daily and week timer mode Pressing ⏏ A will turn the heater on or off

16:58	Mon	A	W	☐
SET	ROOM			
25°C	23°C			
COMF++	⏏	ON		

Window open detection

When the transmitter detects a rapid drop in room temperature, it will be judged as a window open, the warning icon will be displayed and the heater will be turned off automatically. After the indoor temperature has risen or by manual intervention (by operating remote control), the heater will return to its normal working state.

16:58	Mon	W	☐
WINDOW OPEN			
ROOM			15°C

Adaptive Start Control

According to room temperature and set temperature, the heater will automatically come on in time to heat the room to the set temperature at the set time. For example, if your timer is set to start at 18:00 and temperature is set to 23°C, the fire will come on at 17:30 to ensure the room is 23°C at 18:00.

Pairing the handset to the appliance

The below operation should be carried out before programming, when changing to a new remote or in the event the appliance cannot be controlled by the remote:

Hold the reset button on the appliance for 3 seconds (a pen point may be needed) until you hear 3 short beeps from the unit, release the button.

Press the ⏏ button on the remote, the programming is finished when you hear 1 long beep from the appliance.

Resetting the remote control is necessary if the appliance operates incorrectly or does not respond when operated. Open the back cover of the remote control.

Press the Reset button. Follow the above steps.



User Instructions *Continued.....*

Resetting the Thermal Cut Out

The appliance is fitted with an Electronic Safety Control (E.S.). This is a safety device, which switches off the fire if, for any reason, the appliance overheats, e.g. if covered. If the heater stops operating while the flame effect continues working normally, this indicates that the E.S. Control is in operation. The E.S. Control can only be reset after the appliance has cooled down, and the appliance has been reset. Resetting of the E.S. Control proceeds as follows:

Switch off the appliance (Manual On / Off switch) and leave it off for approximately 10-15 minutes.

Remove any obstruction to the fan heater outlet or fan blades etc. Make sure that the power supply is disconnected with the plug socket outlet while doing this.


Switch on the appliance and the E.S. Control will be re-set.


Ensure that the appliance is functioning correctly. If the E.S. Control operates again, the appliance should be checked by a competent electrician.


Maintenance

WARNING: Before any maintenance or whilst cleaning the exterior of the fireplace, the unit should be disconnected from the power supply until it has cooled down.

Remote Handset Battery Replacement

When the batteries are at full power, the battery symbol will show 

When the batteries are half full, the battery symbol will show 

When the batteries are out of power and need replacing immediately, the battery symbol will show 

Battery replacement is recommended after 1 year. The batteries are 1.5V alkaline AAA, batteries.

Dispose of old batteries at an appropriate recycling facility.

Cleaning the Fire

Cleaning or polishing products are not recommended.

Fingerprints or other marks on the front glass panel can be removed by a piece of soft, damp, lint-free cloth with a good quality household glass cleaner. The front glass panel should always be completely dried with a clean, lint-free cloth or paper towel.

CAUTION: Abrasive cleaners should not be used on the glass panel. Liquids should not be sprayed directly onto any surface of the unit.

Troubleshooting

Problem	Solution
The fire is not switching on	Ensure the mains switch is on. Replace the fuse in the plug
The fire is not emitting heat	Check the handset temperature is set higher than the room temperature
The fire Shuts off after a period of time	The room has reached the set temperature. Has the daily timer been set.
Handset display fading	Check / change batteries in the remote
Remote not operating the fire	Try to pair the remote and fire see page 22

Should you be experiencing any problems with your fire please call Customer Services on 01914300901 or email us at customerservices@bemodern.co.uk

General Information

Environment



Meaning of crossed –out wheeled dustbin:

Electrical appliances should not be disposed as unsorted municipal waste. Separate collection facilities should be used in the disposal of electrical appliances. Contact your local government for the information about the available collection systems. If electrical appliances are disposed of in landfills or dumps, hazardous substances can leak into the groundwater and get into the food chain, damaging your health and well-being. When old appliances are replaced by the new ones, it is a legal obligation for the retailer to take back the old appliance for disposals at least free of charge.



This fire complies with the Safety Standards EN 60335-1 and EN 60335-2-30 which covers the essential requirements of the Low Voltage Directive 2014/35/EU and the EMC standards EN 55014-1; EN 55014-2; EN 61000-3-2 and EN 61000-3-3 which covers the essential requirements of the European Electro Magnetic Compatibility 2014/30/EU, and the RED standards EN300220-2, EN301489-1, EN301489-3 and EN6247 which covers the essential requirements of the European Radio Equipment Directive 2014/53/EU.



This fire complies with the Safety Standards BS 60335-1 and BS 60335-2-30 which covers the essential requirements of the Low Voltage Directive 2014/35/EU and the EMC standards BS 55014-1; BS 55014-2; BS 61000-3-2 and BS 61000-3-3 which covers the essential requirements of the Electro Magnetic Compatibility 2014/30/EU, and the RED standards BS 300220-2, BS 301489-1, BS 301489-3 and BS 6247 which covers the essential requirements of the Radio Equipment Directive 2014/53/EU.



RoHS stands for Restriction of Hazardous Substances, and impacts the entire electronics industry and many electrical products as well. The original RoHS, also known as Directive 2002/95/EC, originated in the European Union in 2002 and restricts the use of six hazardous materials found in electrical and electronic products. All applicable products in the EU market since July 1, 2006 must pass RoHS compliance.

Control PCB	Remote Control Receiver	Remote Control Transmitter
<p>Hardware: RC01-043A01 V0 Software: V0</p>	<p>Hardware: RF290B V1.2</p>	<p>Frequency: ASK/OOK 433.92MHZ Maximum transmit power: 10mW Hardware:RF290A-TX-V1.3 Software: RF290A_C_V0.6.0.hex</p>

Electric Fire Guarantee

Our A R T E O N - Pryzm 3 Sided Electric Fire comes with a **1 Year** warranty as standard, providing you with reassurance and peace of mind. **This covers parts and labour.**

2 years extended warranty is obtained by registering your product free, within 28 days of purchase at: <https://www.elginandhall.co.uk/advice/warranties/>

After registration you will receive cover for **parts only** in **year 2 & 3.**

Note: Registration is not required for the standard 1 year warranty. If you do not have access to the internet you may register your product via the below contact telephone number.

For further information on the individual terms of your product warranty, please contact our Customer Service team: on 0191 430 0901 or customerservices@bemodern.co.uk

1. The Guarantee applies to:

- a. All products in the ranges manufactured by the 'Company' (but subject to the exceptions below):
where:
- b. The product has been purchased and installed within the UK and in respect of
- c. The initial installation: and in favor of
- d. The original purchaser

2. Proof of Purchase must be retained by the Purchaser

3. The Guarantee does not apply to:

- a. Damage or inferior workmanship practices whilst the 'Product' is being installed
- b. Damage caused by mis-use of the 'Product' or where normal standards of care and use have not been complied with.
- c. Damage through a malfunction or an inadequately installed electric fire.
- d. Damage or defects due to mis-use, accident or unauthorised alterations.

4. During the guarantee period after the 'Product' has been supplied, the Guarantee covers the making good (whether by repair or replacement at the Company's option) of defects arising from defective manufacture of materials of "Product" covered in Para 1 all at no cost to the purchaser on the provision:

- a. The Product has been installed as per Be Modern recommendations. The Purchaser uninstalls the Product and makes it available for collection by Be Modern.

This Guarantee does not affect your statutory rights

On requiring service the purchaser should contact the retailer who supplied your product who will assist and advise you as necessary.

Be Modern Ltd.
19/34 Bedesway
Bede Industrial Estate
Jarrow
Tyne and Wear
NE32 3BE
Tel: (0191) 430 0901
Fax: (0191) 430 9522
<http://www.bemodern.com>