



Huntingdon

Freestanding Stove Range



Installation Instructions

IMPORTANT

THE OUTER CASING, FRONT AND GLASS PANEL BECOME EXTREMELY HOT DURING OPERATION AND WILL RESULT IN SERIOUS INJURY AND BURNS IF TOUCHED. IT IS THEREFORE RECOMMENDED THAT A FIREGUARD COMPLYING WITH BS 8423 (LATEST EDITION) IS USED IN THE PRESENCE OF YOUNG CHILDREN, THE ELDERLY OR INFIRM.

ALL LOCAL REGULATIONS, INCLUDING THOSE REFERRING TO NATIONAL AND EUROPEAN STANDARDS, NEED TO BE COMPLIED WITH WHEN INSTALLING THE APPLIANCE.

Do not attempt to burn rubbish in this appliance. Please read these Instructions carefully before installation or use.

Keep them in a safe place for future reference and when servicing the fire.

The commissioning sheet found on page 3 of these instructions should be completed by the Installer.

CONTENTS

Huntingdon Range

Covering the following models:

MODEL	WOOD	MULTI- FUEL
Huntingdon 20 Clear Door	701-107	701-420
Huntingdon 20 Tracery Door	701-081	701-455
Huntingdon 30 Clear Door	701-068	701-473
Huntingdon 30 Tracery Door	701-042	701-496
Huntingdon 40 Clear Door	701-023	-
Huntingdon 40 Tracery Door	701-004	-

Installation Instructions	4
Essential Information	4
Dimensions	7
Distance to Combustibles	8
Pre-installation	12
Installation	16
Commissioning	20
Maintenance & Servicing	21
Servicing	21
Legal Requirements	26
Spare Parts	28
Information Requirement - Solid Fuel	30
Service Records	31



CONSUMER SUPPORT VIDEO:
www.stovax.tv/support/Huntingdon

APPLIANCE COMMISSIONING SHEET

To assist us in any guarantee claim please complete the following information:-

Dealer appliance was purchased from:

Name:

Address:

Telephone number:

Essential information - MUST be completed:

Date Installed:

Model Description:

Serial Number:

Installation Engineer:

Company Name:

Address:

Telephone number:

Commissioning Checks - to be completed and signed:

Is flue system correct for the appliance:	YES <input type="checkbox"/>	NO <input type="checkbox"/>
Flue swept and soundness test complete:	YES <input type="checkbox"/>	NO <input type="checkbox"/>
Smoke test completed on installed appliance	YES <input type="checkbox"/>	NO <input type="checkbox"/>
Spillage test completed	YES <input type="checkbox"/>	NO <input type="checkbox"/>
Use of appliance and operation of controls explained	YES <input type="checkbox"/>	NO <input type="checkbox"/>
Clearance to combustible materials checked	YES <input type="checkbox"/>	NO <input type="checkbox"/>
Instruction book handed to customer	YES <input type="checkbox"/>	NO <input type="checkbox"/>
CO Alarm Fitted	YES <input type="checkbox"/>	NO <input type="checkbox"/>
Flue draught Reading (Pa)	HOT <input type="text"/>	COLD <input type="text"/>

Signature: Print Name:

ESSENTIAL INFORMATION - MULTI-FUEL STOVE

GENERAL	Model:			Huntingdon 20	Huntingdon 30
	Nominal Heat Output	Wood	kW	4.1	5.0
		Solid Fuel	kW	4.1	5.0
	Efficiency	Wood	%	78.3	81.6
		Solid Fuel	%	80.8	82.0
	CO @ 13% O ₂	Wood	%	0.09	0.10
		Solid Fuel	%	0.06	0.09
	Weight	Clear Door	Kg	70.0	91.1
		Tracery Door		70.8	92.2
	Recommended Fuels	Wood	Seasoned Wood (less than 20% moisture content)		
Solid Fuel		Briquette smokeless fuel suitable for closed appliances (Ancit-Phuracite-Maxibrite-Taybrite-Homefire Ovals)			

As tested to the requirements of EN 13240 for intermittent operation

FLUES	Flue Outlet Size (Top or Rear Option)	This appliance requires a suitable adapter to fit to a flue larger than 128mm (5").	mm	128	128	
			inch	5	5	
	Flue/Chimney Size Note: If the appliance has not been commissioned as a DEFRA smoke controlled appliance then the flue system should be 153mm (6").	Without flue liner Round (Diameter)	Without flue liner system (Square)	mm	128	128
				inch	5	5
		Without flue liner system (Square)		mm	135	135
				inch	5½	5½
		With Liner of Factory made system (diameter) installed in accordance with manufacturers instructions		mm	128	128
				inch	5	5
	Flue/Chimney minimum height**	All products **must be 4.5m from the hearth to the top of the flue, with no horizontal sections and a maximum of 4 bends. Bends must have angles of less than 45 degrees from the vertical.	m	4.5	4.5	
			feet	15	15	
	Flue Draught	Min	Pa	10	10	
		Nominal		12	12	
Max		20		20		
Flue Gas Mass Flow	Wood	g/s	4.1	3.8		
	Solid Fuel	g/s	2.8	3.0		
Average Flue Gas Temperature	Wood	°C	255	267		
	Solid Fuel	°C	260	289		

European Min Spec for Chimney Flue - T400 N2 D 3 G50

VENTILATION	A) Traditionally Built Homes		B) Modern Construction Homes		
	• Where leakage is greater than 5m ³ /hour/m ² .		• Where leakage is less than 5m ³ /hour/m ² .		
	• Ventilation normally required = 550mm ² per kW output over 5kW		• Ventilation normally required = 550mm ² per kW		
	A	Additional Ventilation	mm ²	n/a	n/a
			cm ²	n/a	n/a
			in ²	n/a	n/a
	B	Additional Ventilation	mm ²	2255	2750
cm ²			22.6	27.50	
in ²			3.5	4.3	

For full technical details on ventilation see Technical Appendix on Page 25

ESSENTIAL INFORMATION - WOOD STOVE

GENERAL	Model:			Huntingdon 20	Huntingdon 30	Huntingdon 40
	Nominal Heat Output	Wood	kW	4.0	5.0	8.0
	Efficiency	Wood	%	80.9	82.7	76.4
	CO @ 13% O ₂	Wood	%	0.08	0.09	0.09
	Weight	Clear Door	Kg	67.9	87.7	114.1
		Tracery Door		68.7	88.9	115.4
Recommended Fuels	Wood	Seasoned Wood (less than 20% moisture content)				

As tested to the requirements of EN 13240 for intermittent operation

FLUES	Flue Outlet Size (Top or Rear Option)	This appliance requires a suitable adapter to fit to a flue larger than 128mm (5").	mm	128	128	128
			inch	5	5	5
	Flue/Chimney Size <small>Note: If the appliance has not been commissioned as a DEFRA smoke controlled appliance then the flue system should be 153mm (6").</small>	Without flue liner Round (Diameter)	mm	128	128	128
			inch	5	5	5
		Without flue liner system (Square)	mm	135	135	135
			inch	5½	5½	5½
		With Liner of Factory made system (diameter) installed in accordance with manufacturers instructions	mm	128	128	128
			inch	5	5	5
	Flue/Chimney minimum height**	All products **must be 4.5m from the hearth to the top of the flue, with no horizontal sections and a maximum of 4 bends. Bends must have angles of less than 45 degrees from the vertical.	m	4.5	4.5	4.5
			feet	15	15	15
	Flue Draught	Min	Pa	10	10	10
		Nominal		12	12	12
Max		20		20	20	
Flue Gas Mass Flow	Wood	g/s	3.7	3.7	6.5	
Average Flue Gas Temperature	Wood	°C	242	260	331	

European Min Spec for Chimney Flue - T400 N2 D 3 G50

VENTILATION	A) Traditionally Built Homes • Where leakage is greater than 5m ³ /hour/m ² . • Ventilation normally required = 550mm ² per kW output over 5kW		B) Modern Construction Homes • Where leakage is less than 5m ³ /hour/m ² . • Ventilation normally required = 550mm ² per kW			
	A	Additional Ventilation	mm ²	n/a	n/a	1650
			cm ²	n/a	n/a	16.5
			in ²	n/a	n/a	2.6
	B	Additional Ventilation	mm ²	2200	2750	4400
			cm ²	22.0	27.50	44.0
in ²			3.4	4.3	6.8	

For full technical details on ventilation see Technical Appendix on Page 25

GENERAL INFORMATION

REGISTERED PROFESSIONAL:

Before installation and/or use of this appliance please read these instructions fully and carefully to ensure that you have fully understood their requirements.

The appliance must be fitted by a registered installer, or approved by your local building control officer.

STRUCTURAL SUPPORT:

If installing on a wooden floor check that the floor joists are strong enough to bear the weight of the insert, chimney and construction parts.

HEARTH:

These products require a decorative and constructional hearth. See page 9 for hearth dimensions.

FINAL INSPECTION OF THE INSTALLATION:

When it has been installed, the appliance must be commissioned in accordance with standards and practices to ensure full working order and a correct handover given to the customer.

COMBUSTION AIR SUPPLY

When the appliance is installed, it is essential to ensure adequate air is supplied to the room. Air can be provided indirectly via a vent in the outer wall or via a duct from the outside that connects to the sleeve on the rear of the freestanding appliance. The required volume of combustion air is about 20 m³/hour.

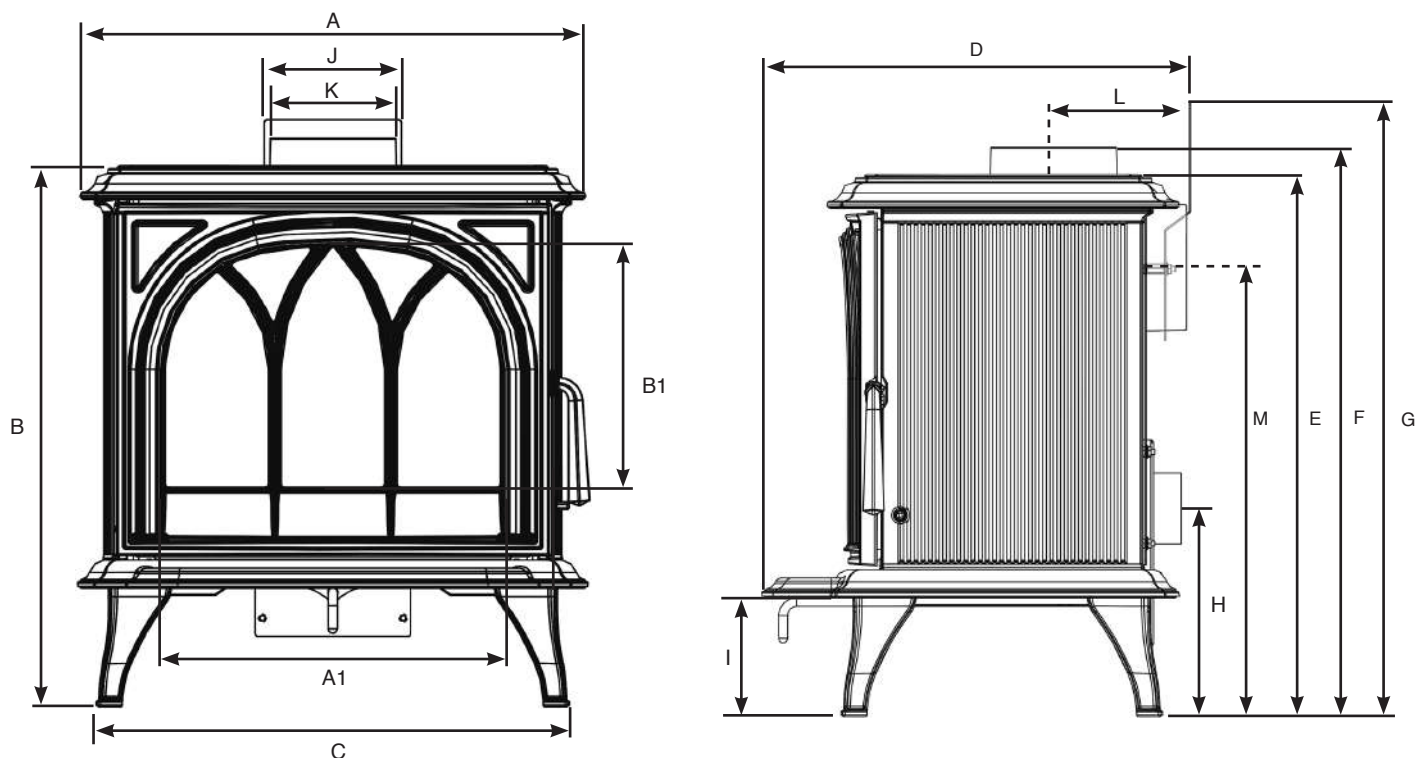
The outer diameter of the combustion air connection sleeve is 80mm.

If a pipe is longer than 1 m, its diameter must be increased to 100mm and a larger wall vent will be required.

In heated spaces, the flue must be insulated to prevent condensation using 30mm mineral wool covered with a vapour barrier. The hole in the wall (or floor) at the exit point must be properly sealed with flue jointing compound.

A flexible pipe to provide external directly into the appliance is available and must be fitted at the time of installation.

HUNTINGDON DIMENSIONS



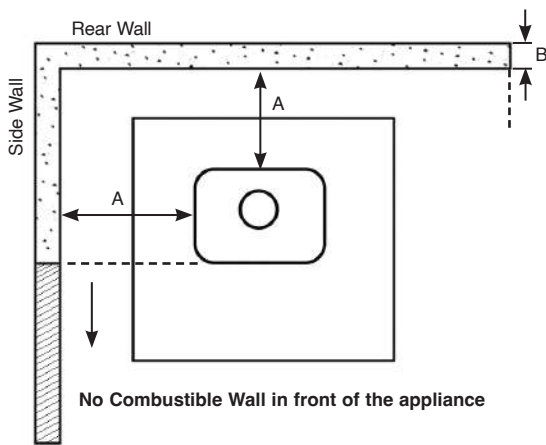
APPLIANCE	A	A1 (GLASS VIEWING AREA)	B	B1 (GLASS VIEWING AREA)	C	D	E	F	G	H	I	J	K	L	M
HUNTINGDON 20	436	249	534	208	401	423	534	564	613	227	130	150	127	150	431
HUNTINGDON 30	560	365	592	263	517	469	592	622	671	227	130	150	127	150	489
HUNTINGDON 40	642	446	652	324	597	508	652	682	732	227	130	150	127	150	550

All dimensions in mm (25.4 mm = 1")

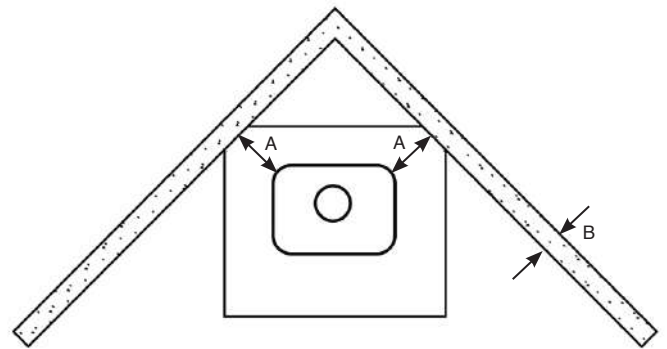
CLEARANCE TO NON-COMBUSTIBLE MATERIAL

DISTANCE TO NON-COMBUSTIBLE MATERIALS		
Distance of Appliance to Wall (A)	Minimum Thickness of wall (B)	Minimum Height of Wall (C)
0mm - 50mm*	200mm	Height of appliance + 300mm OR 1200mm from the hearth (take largest dimension)
51mm - 300mm	75mm	
300mm+	No requirement	No requirement

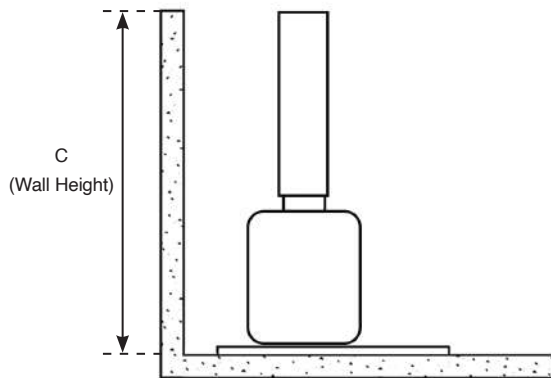
PARALLEL POSITION CLEARANCES



CORNER POSITION CLEARANCES



HEIGHT ABOVE APPLIANCE



HEARTH THICKNESS

HUNTINGDON 20/30

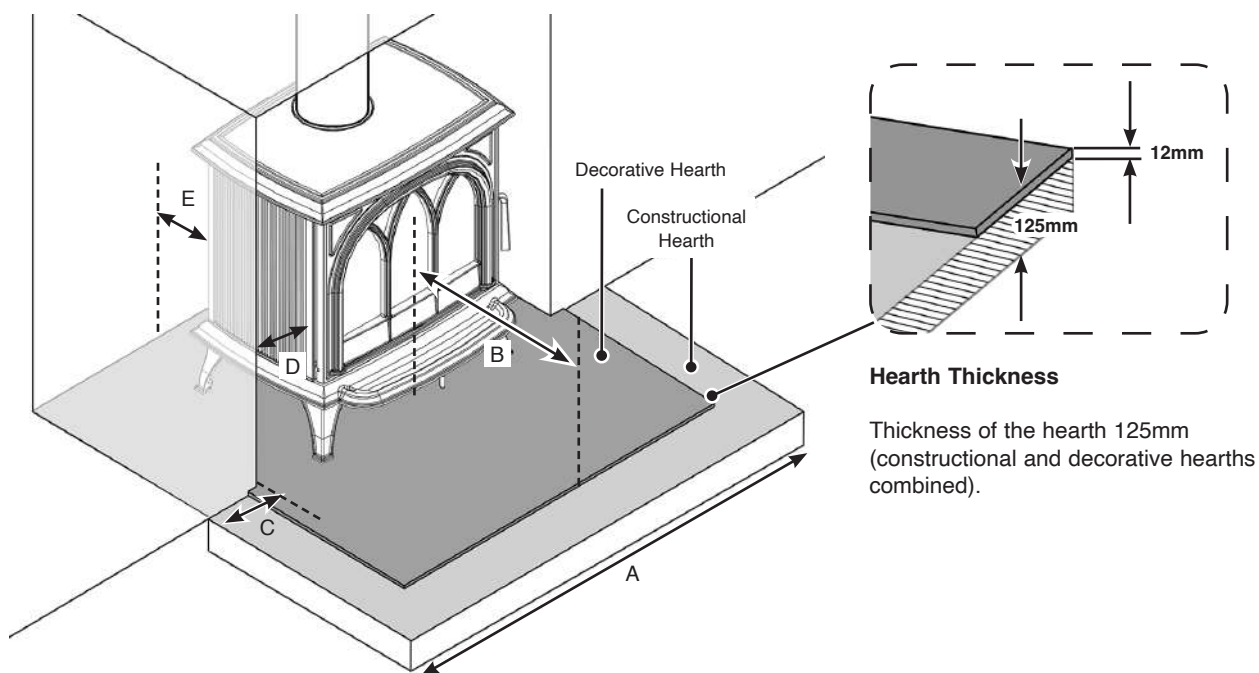
These appliances are suitable to stand on a 12mm decorative hearth.

HUNTINGDON 40

These appliances must stand on a non-combustible constructional hearth which is at least 125mm thick (Constructional and Decorative combined).

CLEARANCE TO COMBUSTIBLE MATERIAL

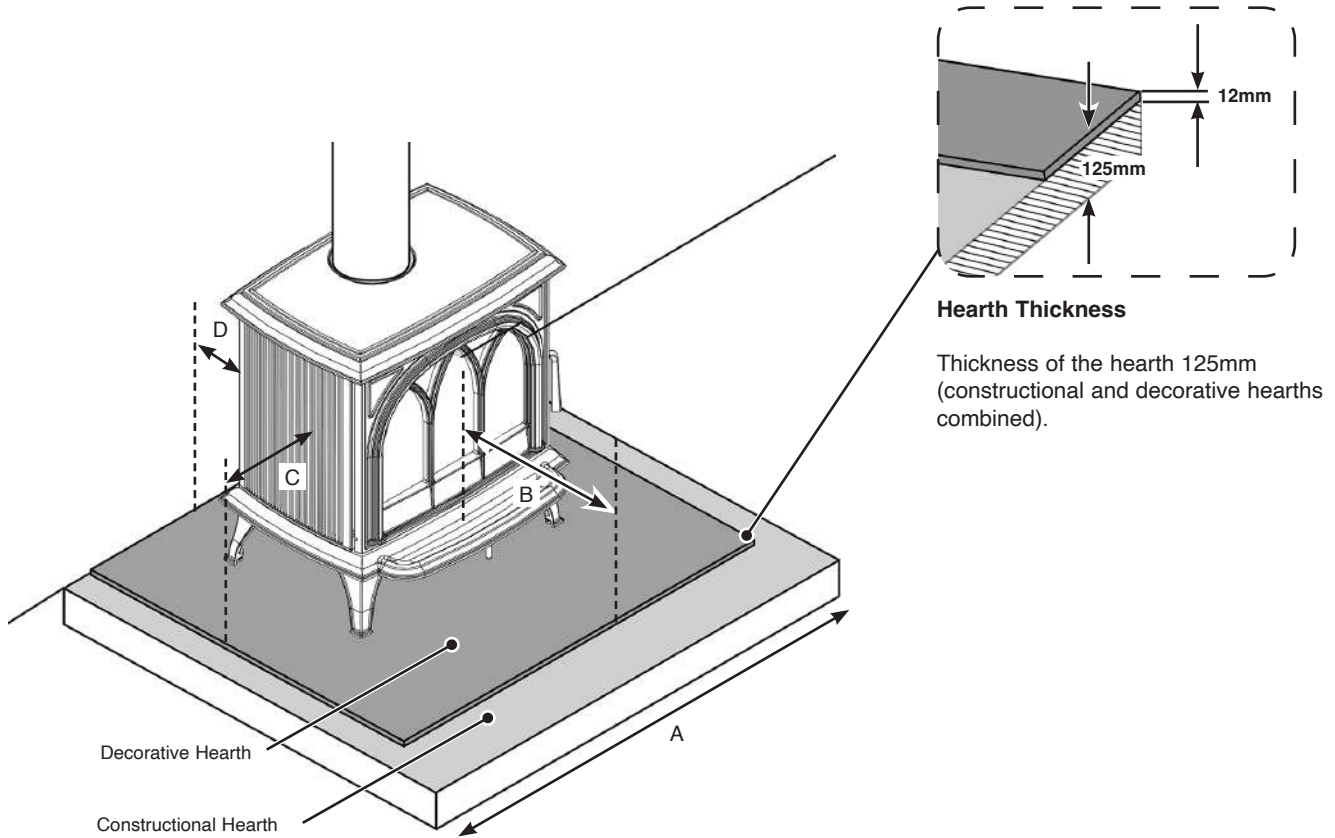
ENCLOSED SETTING



DIMENSION (mm)	A	B	C	D	E		CONSTRUCTIONAL HEARTH
					FITTED WITH HEAT SHIELD	STANDARD CLEARANCE	
HUNTINGDON 20 - WOOD	1087	225	150	175	75	150	-
HUNTINGDON 20 - MULTI-FUEL	1137	225	150	200	150	225	-
HUNTINGDON 30 - WOOD	1259	300	150	200	75	225	-
HUNTINGDON 30 - MULTI-FUEL	1259	250	150	200	75	175	-
HUNTINGDON 40 - WOOD	1293	450	150	175	100	350	Required

CLEARANCE TO COMBUSTIBLE MATERIAL

OPEN SETTING

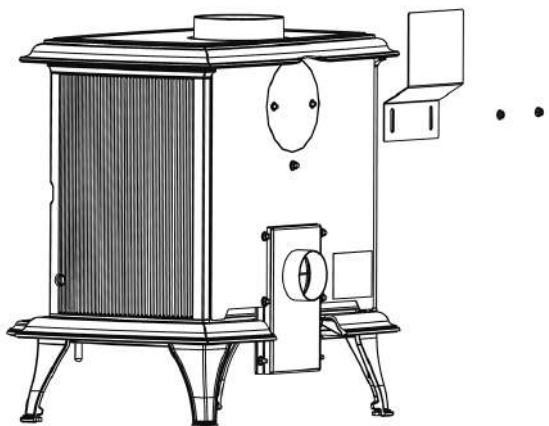


DIMENSION (mm)	A	B	C	E		CONSTRUCTIONAL HEARTH
				FITTED WITH HEAT SHIELD	STANDARD CLEARANCE	
HUNTINGDON 20 - WOOD	787	225	175	75	150	-
HUNTINGDON 20 - MULTI-FUEL	837	225	200	150	225	-
HUNTINGDON 30 - WOOD	1009	300	200	75	225	-
HUNTINGDON 30 - MULTI-FUEL	959	250	200	75	175	-
HUNTINGDON 40 - WOOD	1143	450	175	100	350	Required

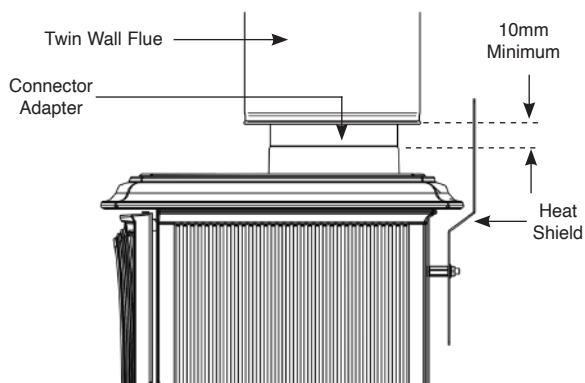
TWIN WALL HEAT SHIELD (TWIN WALL INSTALLATIONS ONLY)



IF THE APPLIANCE IS TO BE INSTALLED IN A COMBUSTIBLE SETTING THE MINIMUM CLEARANCES CAN ONLY BE ACHIEVED USING A TWIN WALL FLUE SYSTEM AND HEAT SHIELD.



Align the Heat Shield on the slots to cover the gap between the Twin Wall and the Top Plate. The overlap must be at least 10mm.



IMPORTANT

When installing the flue pipe, there must be no exposed single wall flue, & a minimum 10mm expansion gap must be left between the Twin Wall flue & the top face of the Top Plate.

OPTIONAL EXTRAS

EXTERNAL AIR CONNECTION

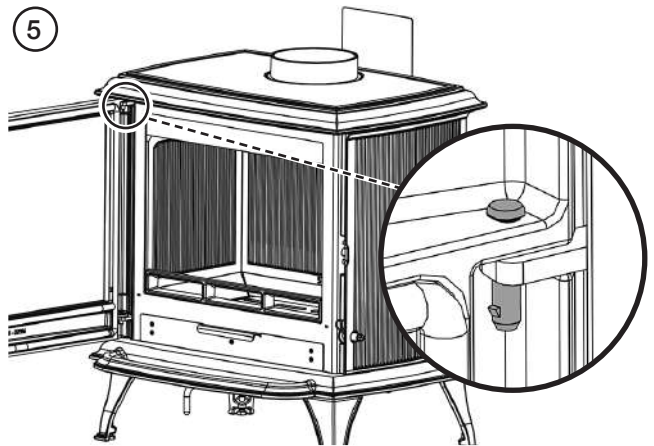
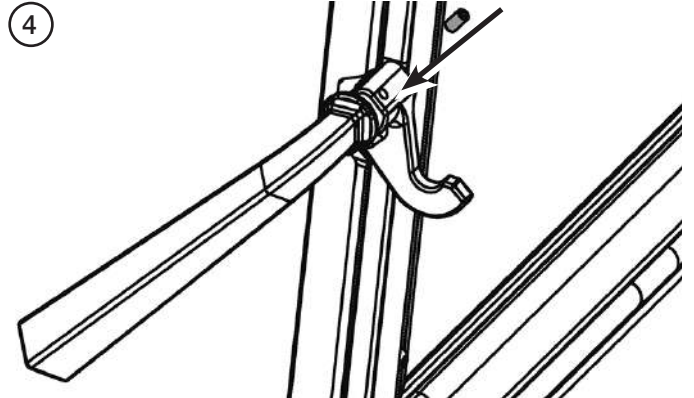
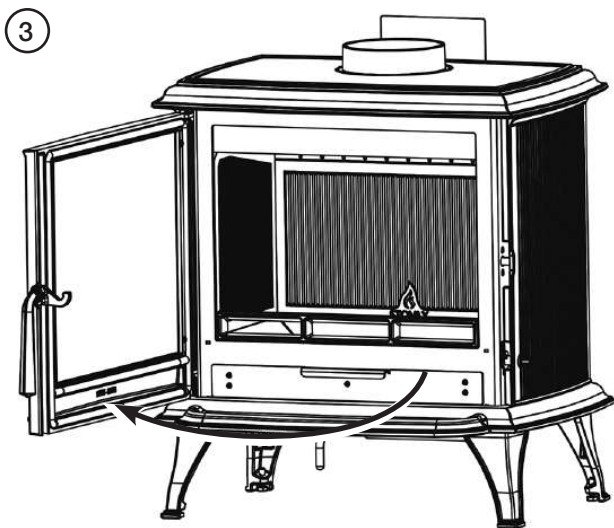
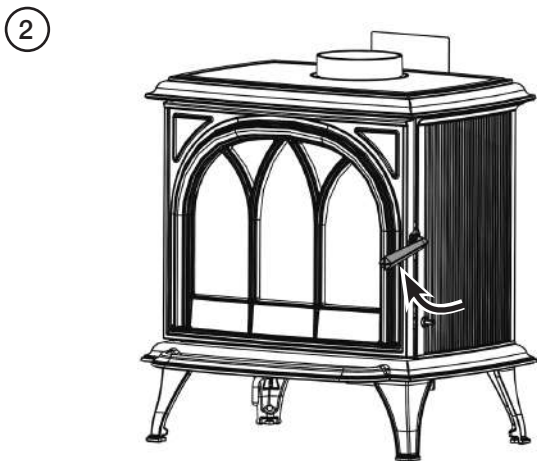
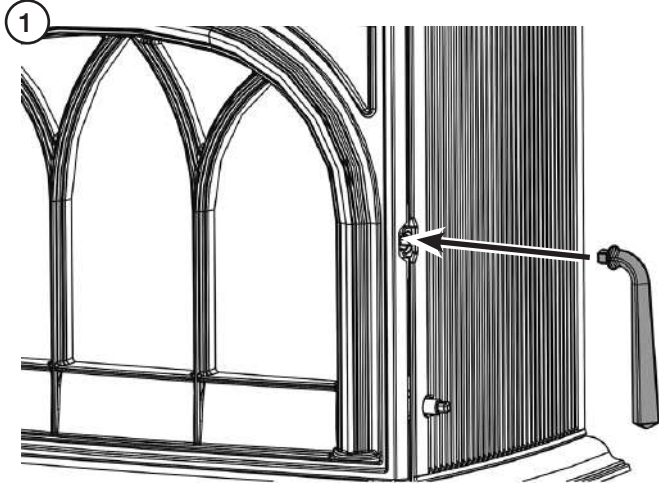
This appliance can be fitted with an optional kit to help bring air directly into the appliance from outside. For installation and operating procedures see Page 19.

APPLIANCE	PART NO.
Huntingdon	998-080

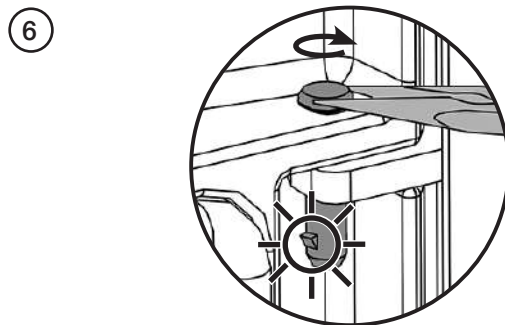
PRE-INSTALLATION

To make the installation of the appliance easier it is best to remove the internal components before installation.

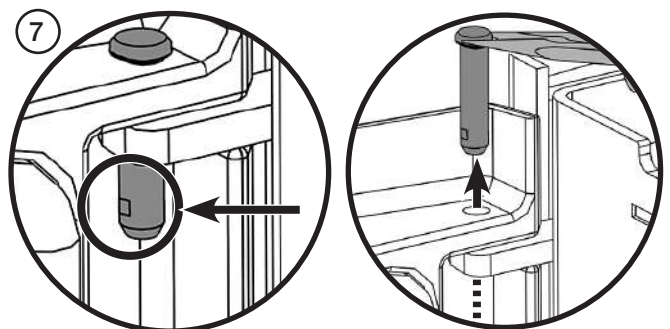
REMOVING THE DOOR



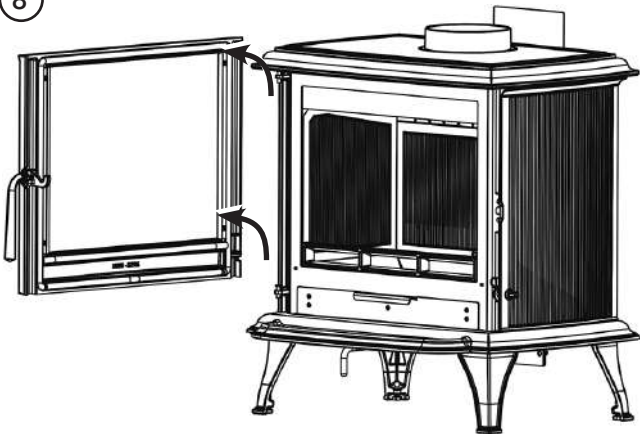
Rotate the hinge pin with pliers if the retractable bar is not showing.



To release the pin, retract the bar using flat pliers and pull the pin upwards.

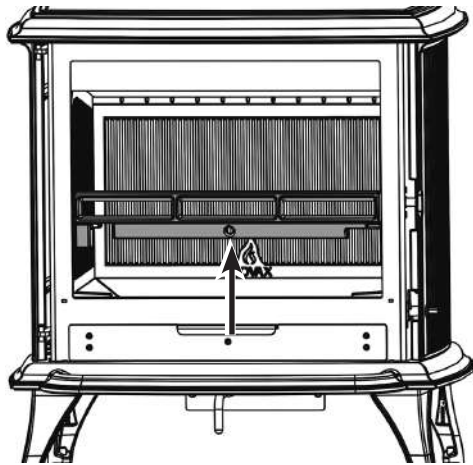


8

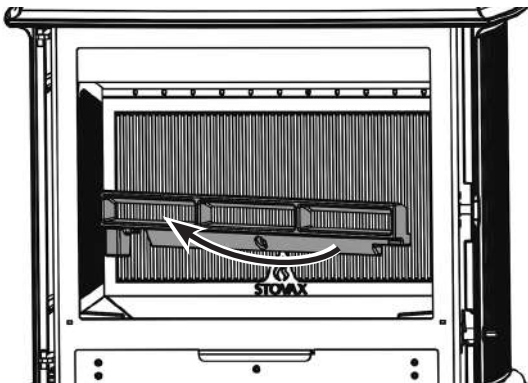


LOG GUARD

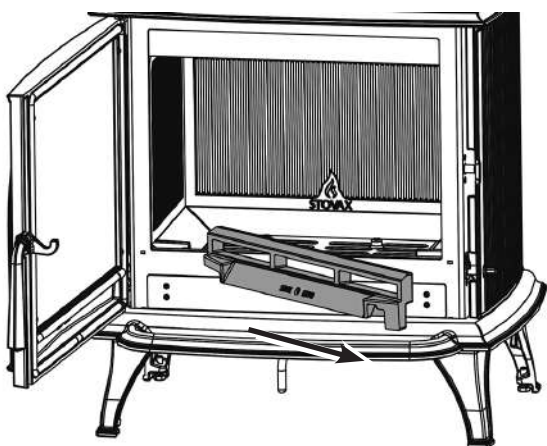
1



2

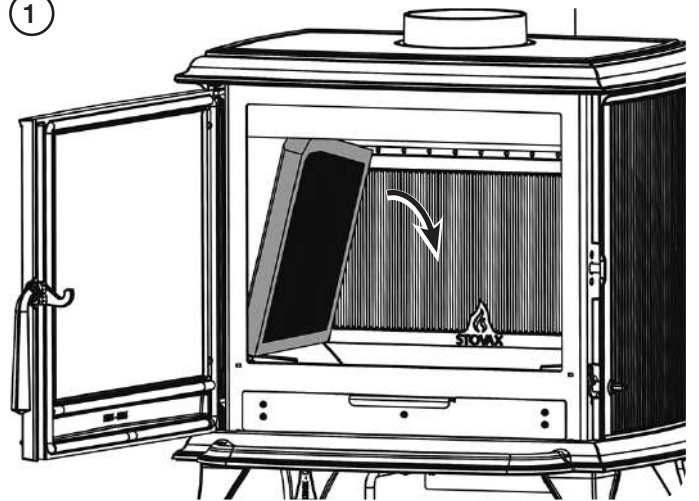


3

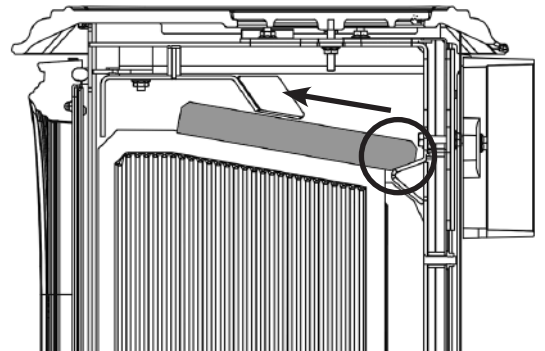


FIREBRICKS

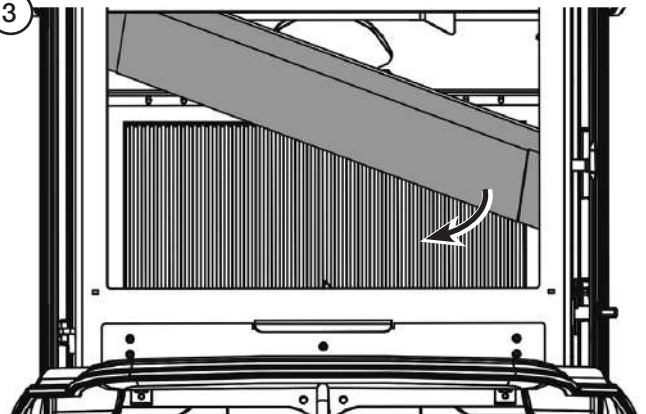
1



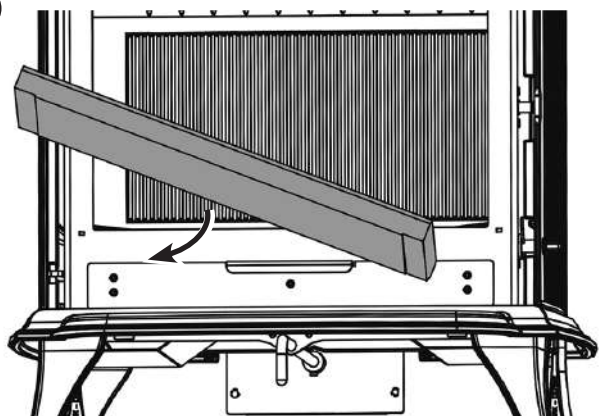
2

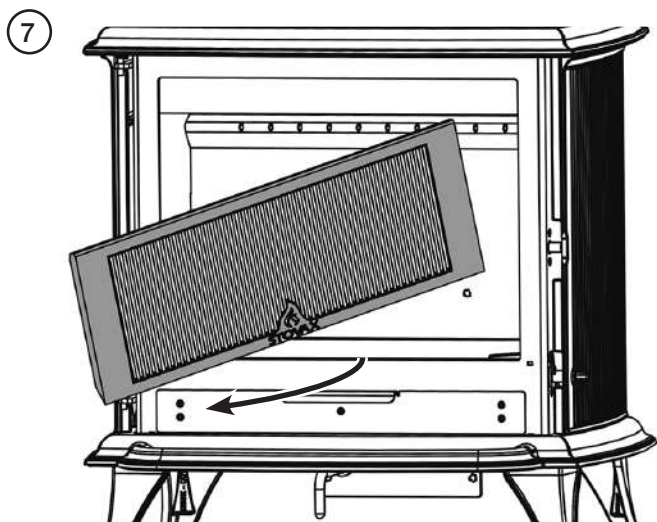
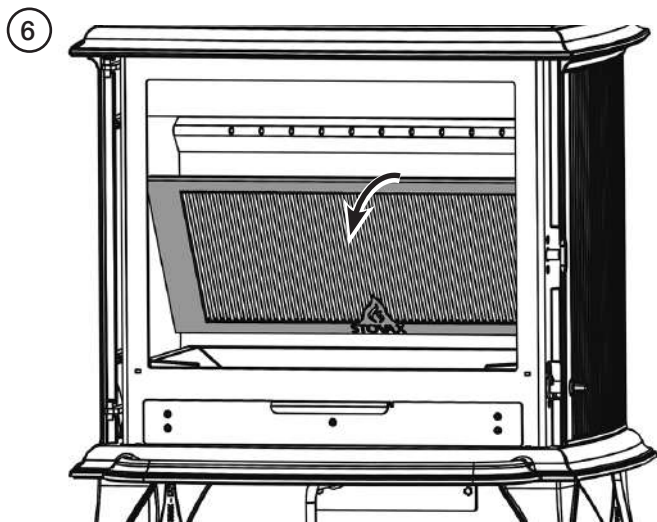
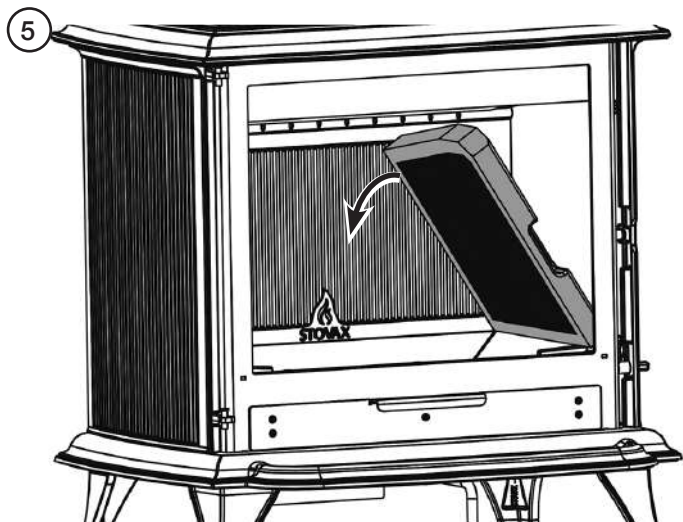


3

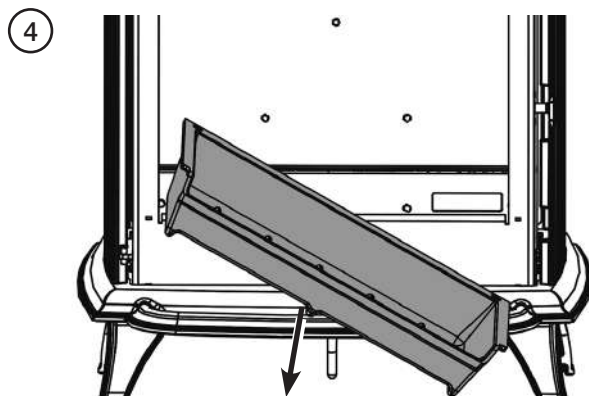
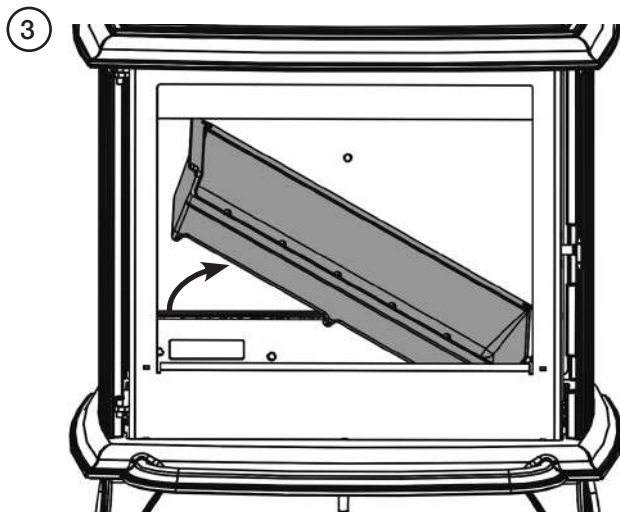
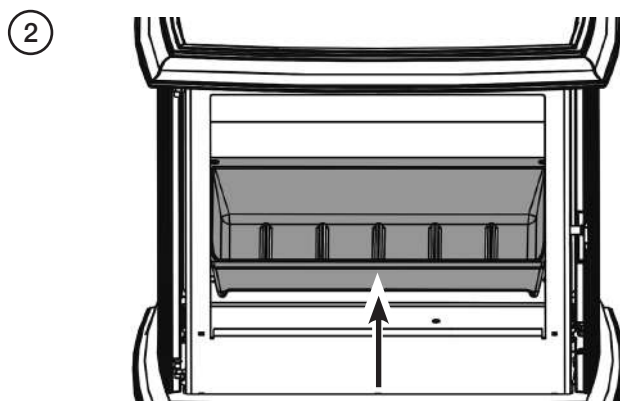
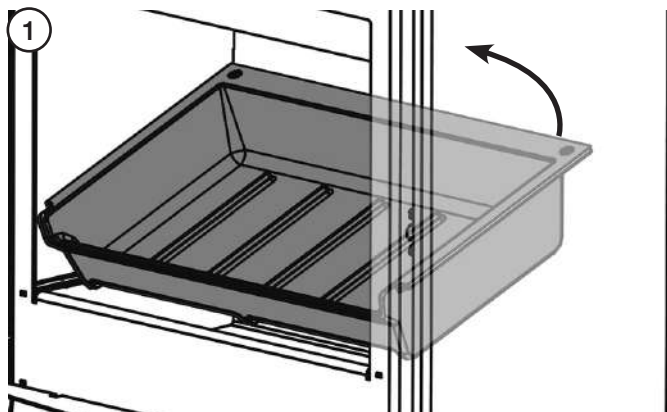


4

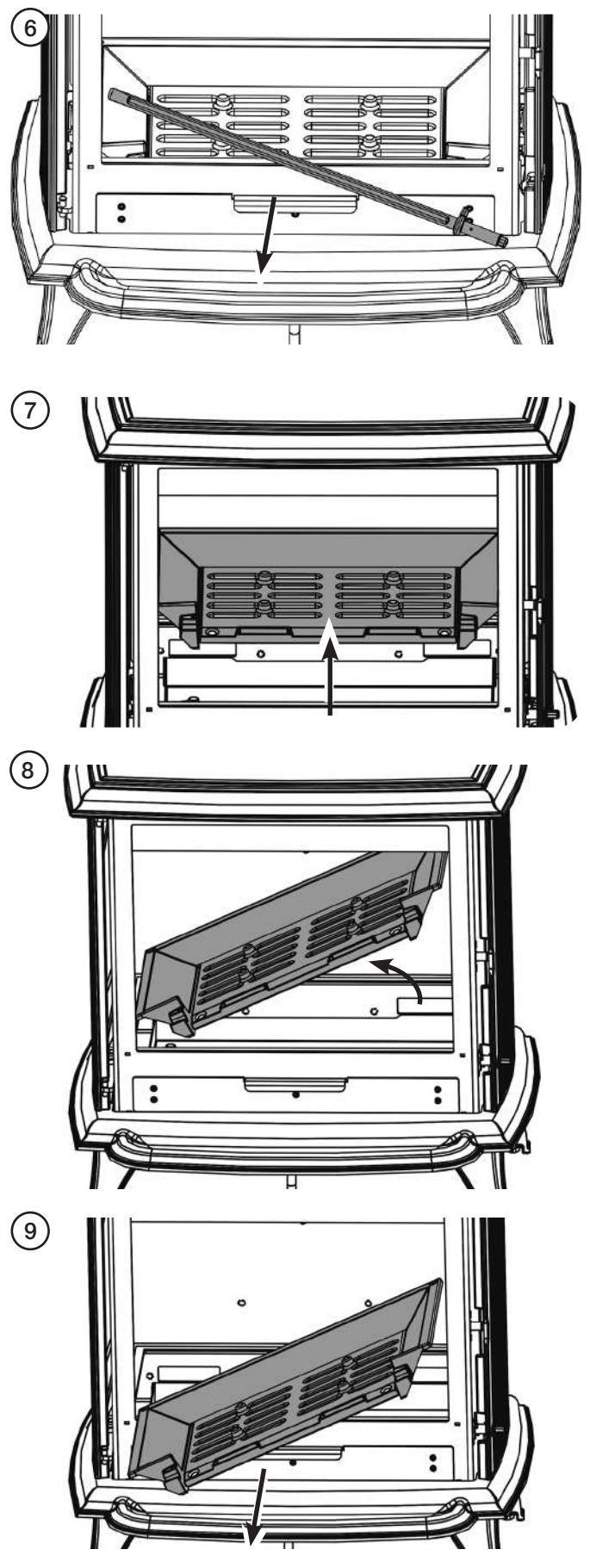
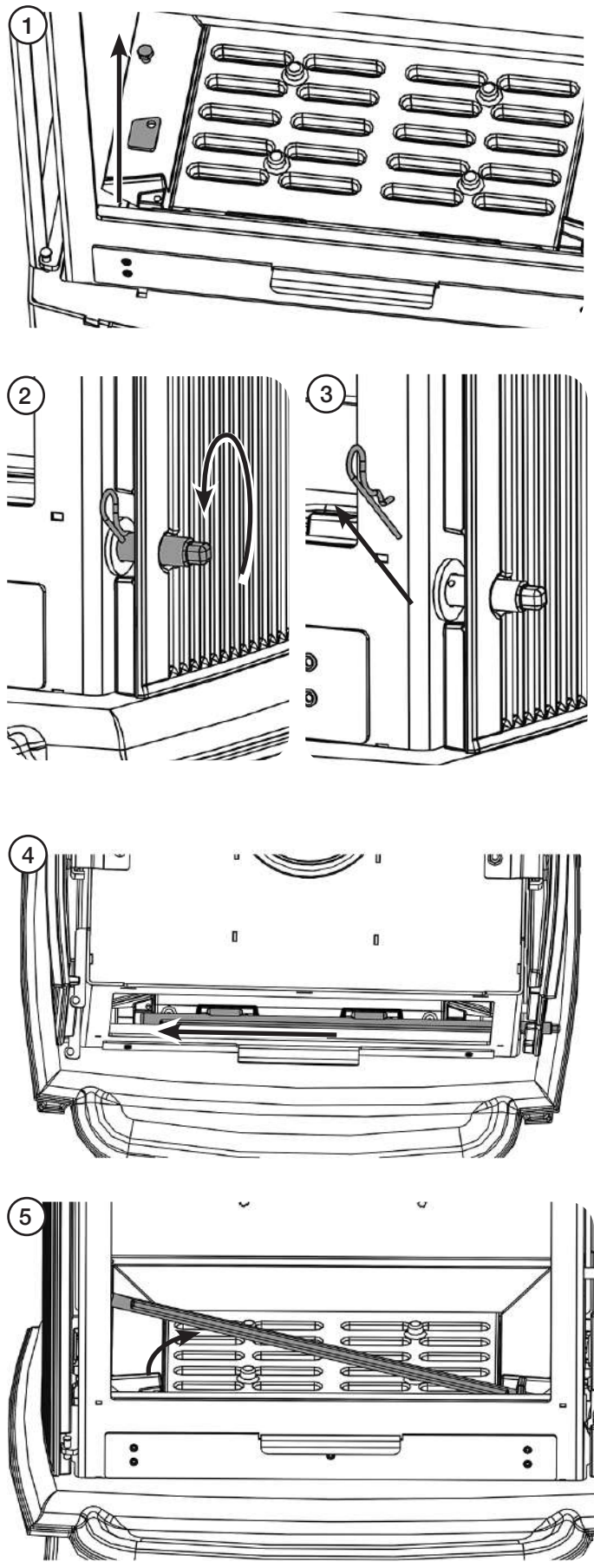




WOODBURNING GRATE



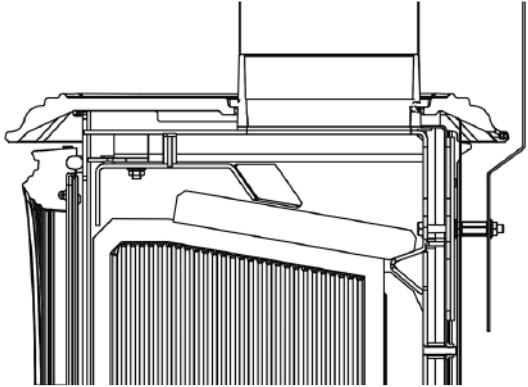
MULTI-FUEL GRATE



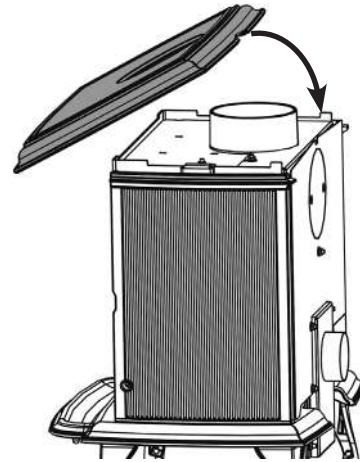
INSTALLING THE APPLIANCE

Take care when installing the appliance. Careless handling and use of tools can damage the finish and/or area.

The appliance is factory set with the blanking plate fitted on the rear outlet.



3



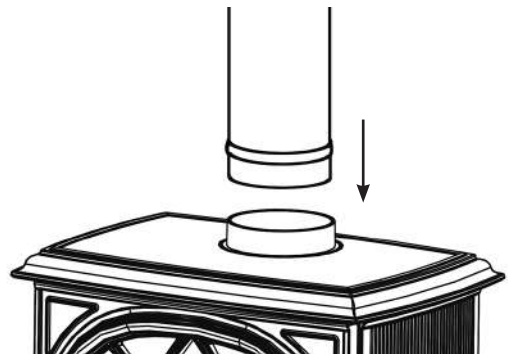
Seal the connecting joints.

TOP FLUE INSTALLATION

CAST TOP PLATE

The cast top plate must be fitted prior to connecting the flue.

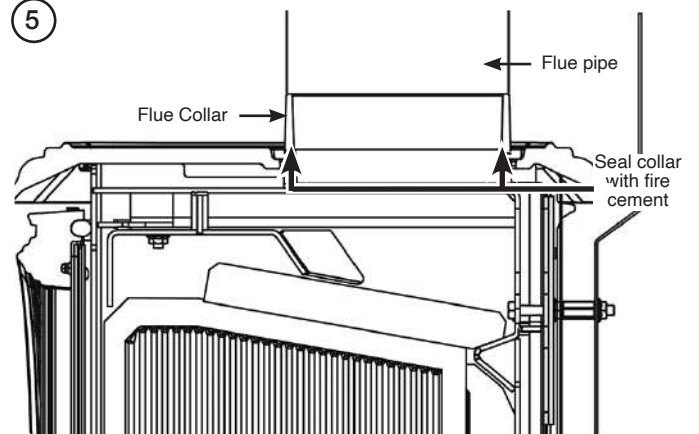
4



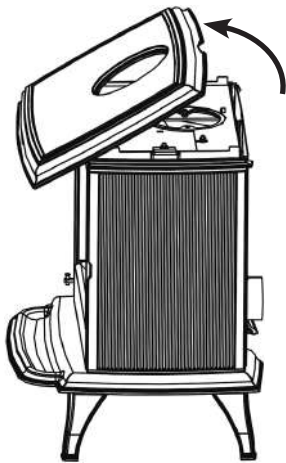
i

The Flue must be installed in accordance with manufacturers instructions.

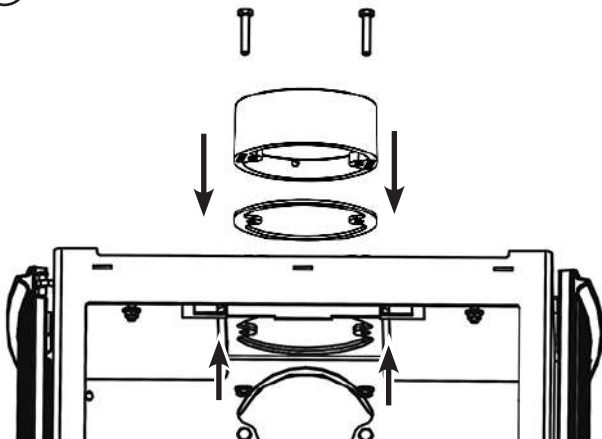
5



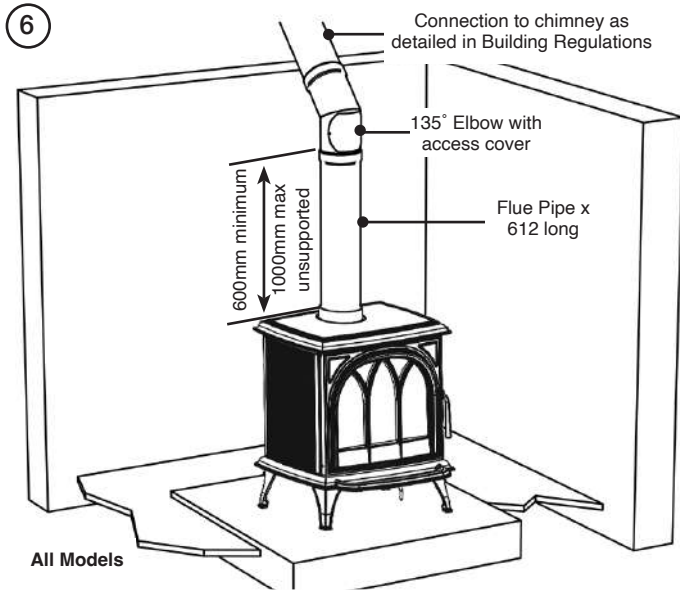
1



2

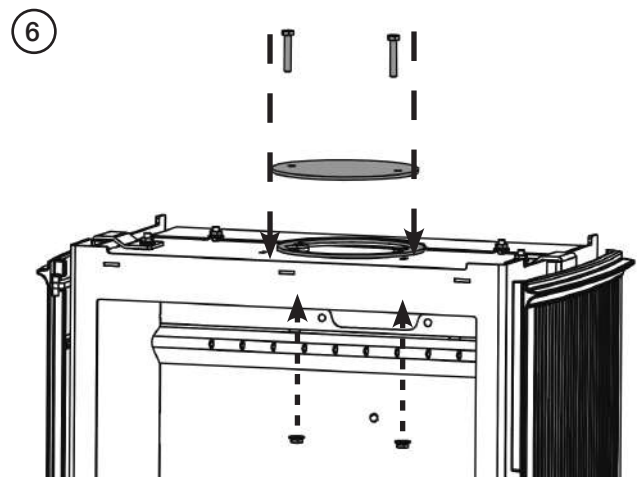
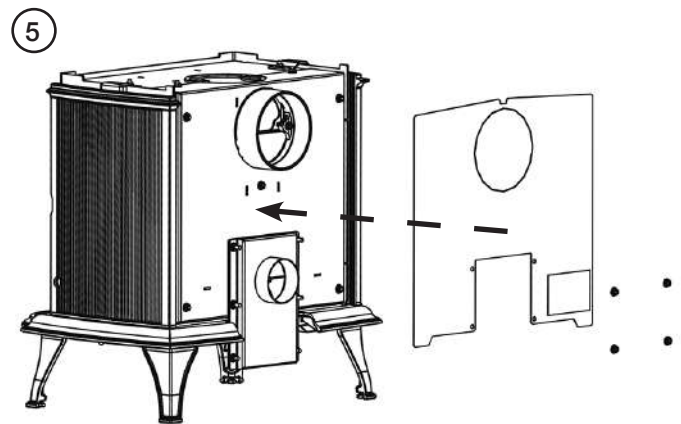
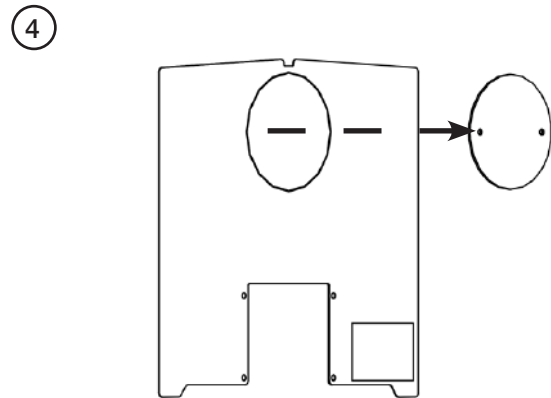
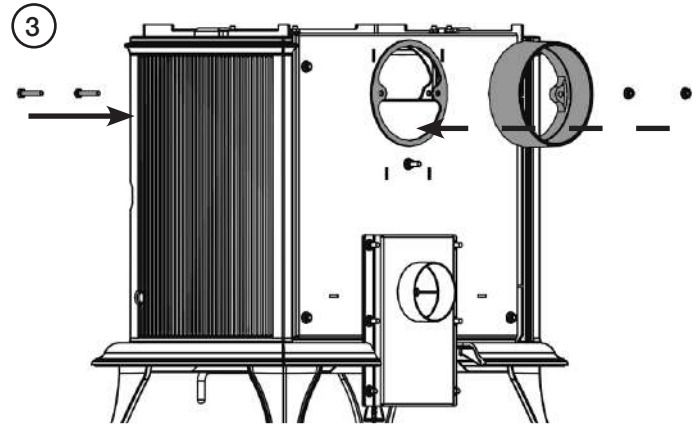
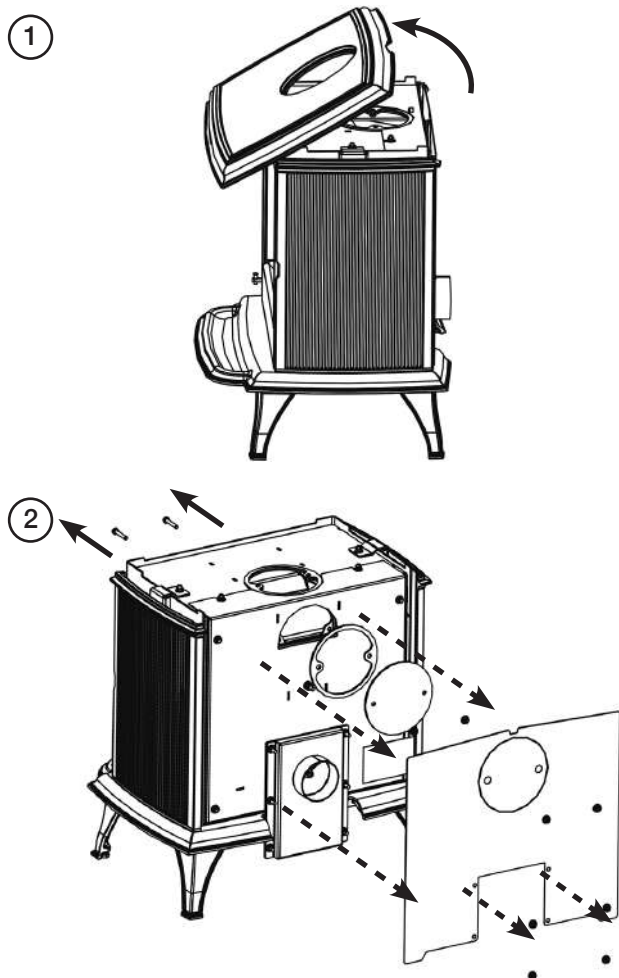


A TYPICAL TOP FLUE PIPE INSTALLATION

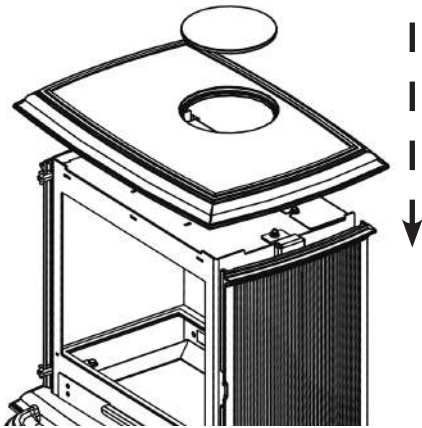


REAR FLUE INSTALLATION

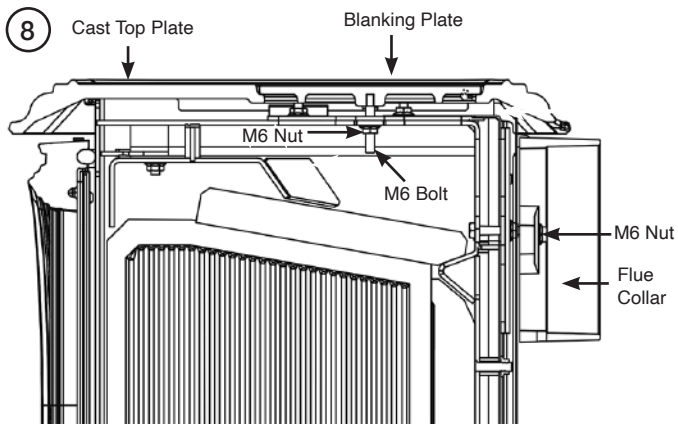
i The appliance is factory set with the blanking plate fitted on the rear outlet. The plate will need to be removed and fitted to the top of the appliance prior to installation.



7



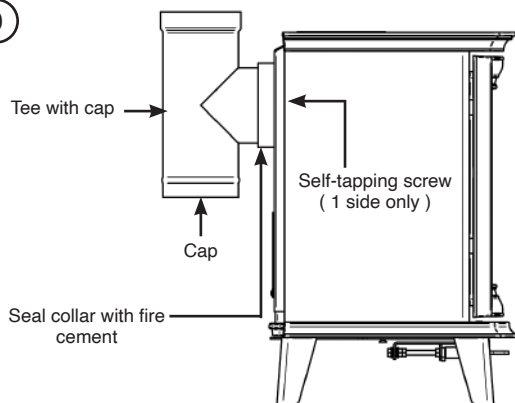
8



The following flue pipe is available to ensure safe installation:

5" TEE	Stovax Product Code 4516
5" 135° BEND	Stovax Product Code 4512
5" FLUE PIPE X 612MM LONG	Stovax Product Code 4501

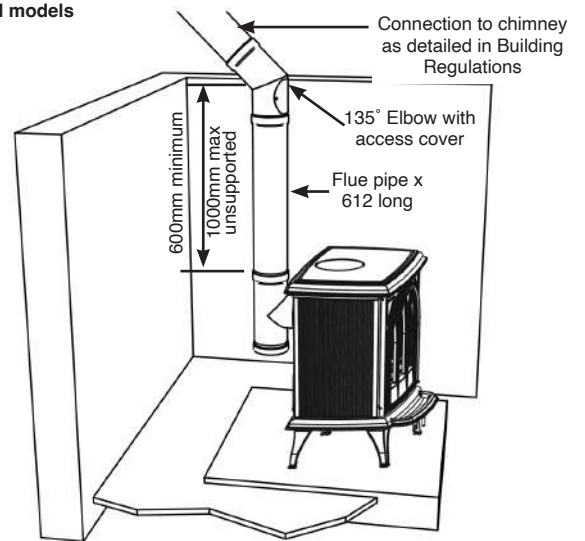
9



A TYPICAL REAR FLUE PIPE INSTALLATION

10

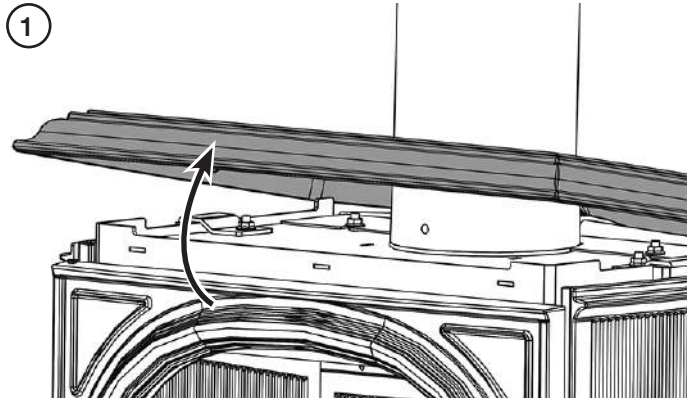
All models



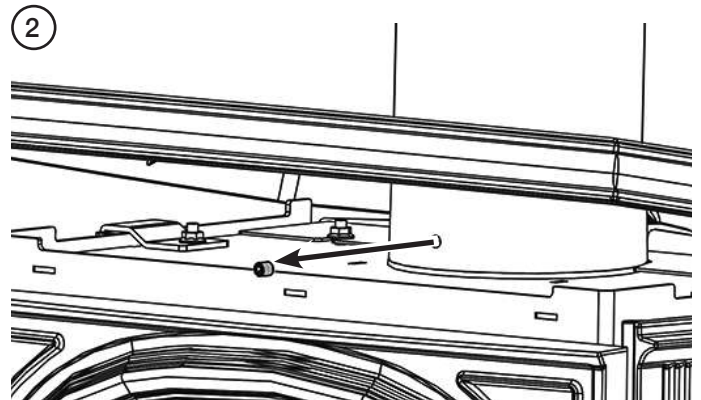
Replace internal components.

FLUE PULL TEST POINT

1



2

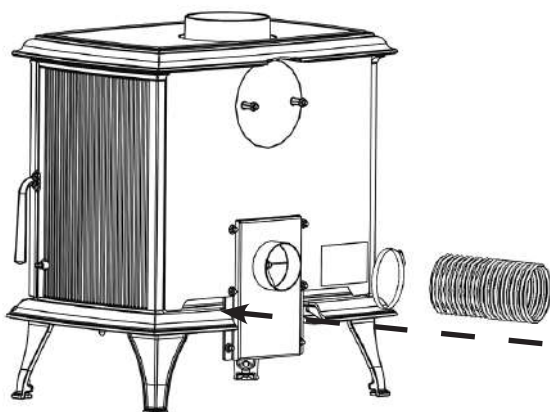


EXTERNAL AIR CONNECTION

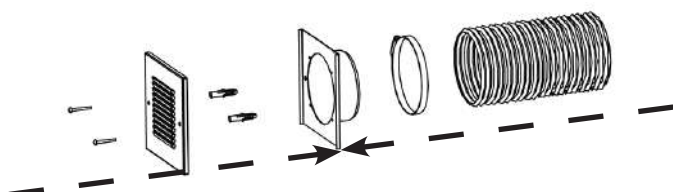
This appliance can be fitted with an optional kit to help bring air directly into the appliance from outside.

APPLIANCE	PART NO.
Huntingdon	998-080

①



②



CO ALARMS

All open flued appliances can be affected by temporary atmospheric conditions which may allow fumes to enter the house. **Building regulations require that whenever a new or replacement fixed solid fuel or wood/biomass appliance is installed in a dwelling a carbon monoxide alarm, complying with BS EN50291, must be fitted in the same room as the appliance. Further guidance on the installation of the carbon monoxide alarm is available in the latest edition of BS EN50292 and from the alarm manufacturer's instructions.**

Provision of an alarm must not be considered a substitute for either installing the appliance correctly or ensuring regular servicing and maintenance of the appliance and chimney.

COMMISSIONING

To commission:

- Replace the internal components.
- Check the door alignment and catch operation and adjust if required.
- Check the soundness of door seals, castings and joints.
- Check the operation of the air controls.

Now carry out a final smoke draw test:

- Warm the flue with a blowlamp, or similar, for about 10 minutes.
- Place a smoke pellet on the centre of the grate, with the air controls open.
- Close the door. Smoke should now be drawn up the flue and be seen to exit from the flue terminal.
- Complete test with all doors and windows closed in the room where the appliance is fitted.
- If there are any extractor fans in adjacent rooms the test must be repeated with the fans running on maximum and with interconnecting doors open.
- Check the effect of ceiling fans during the test.

If excessive spillage occurs allow the appliance to cool and re-check the flue system and ventilation.

Finally:

- Explain to the user the correct operation of the appliance, use of the controls and the importance of only using suitable fuels in order to reduce smoke emissions - particularly if they live in a Smoke Control Area.
- Ensure that a CO alarm has been fitted and make the user aware of its operation and importance, referring them to the Warning section on page 5 of the User Instructions.
- Explain the cleaning and routine maintenance requirements.
- Explain the requirement to use a suitable fireguard when children, elderly or infirm persons are near the appliance.
- Record retailer/supplier and installer details in Appliance Commissioning Checklist.
- Record serial number in Appliance Commissioning Checklist.

This number is required when ordering spare parts and making warranty claims.

- Give this instruction manual to the customer.

SERVICING

For a complete list of spare parts and accessories contact your Stovax Retailer, visit www.stovaxspares.com or call 01392 474011.

Before the start of the heating season strip, inspect and clean the appliance as detailed:

- Allow appliance to cool.
- Remove all internal parts: baffle, log guard, cast bases and firebricks.
Take care handling firebricks as they can become fragile after a period of use.
- Sweep the appliance at this point if necessary.
- Vacuum clean any remaining ash and debris from the inside of the appliance.
- Check the parts for any damage. Replace any damaged parts using genuine Stovax replacements parts.
- Check and clean the firebricks with a soft brush.
Some surface damage will occur during use. The life of the bricks will depend on the type of fuels burnt and the level of use.
Replace damaged bricks as soon as possible.
- Re-fit cleaned internal parts.
- **Use Stovax Glass.**

Do not use abrasive cleaners to remove tar or soot deposits from the glass.
- Fit new door rope seal.
- Lightly oil the door catch mechanism and hinge pins. Avoid getting oil onto the door seals and glass.
- To refresh painted finishes a touch up spray is available.
Contact your Stovax retailer quoting the serial number found on the appliance data badge.

Use genuine Stovax replacement parts to keep the appliance in safe, efficient working order. This is a list of the maintenance products that may need be required:

Products to assist in the cleaning and maintenance of your Huntingdon are available online at www.stovax.com or from your local Stovax dealer which, along with regular maintenance and use of correct fuels, will keep the appliance in the best possible condition.

For more information about the Stovax Group products please visit our web site at www.stovax.com

Burn at a low temperature for the first day of use after any maintenance. This allows the seals, fixing glues and paint to fully cure.

During this time the appliance may give off some unpleasant odours. Keep the room well ventilated to avoid a build-up of fumes.

Your Stovax dealer can carry out service and maintenance.

SERVICING AND SUPPORT

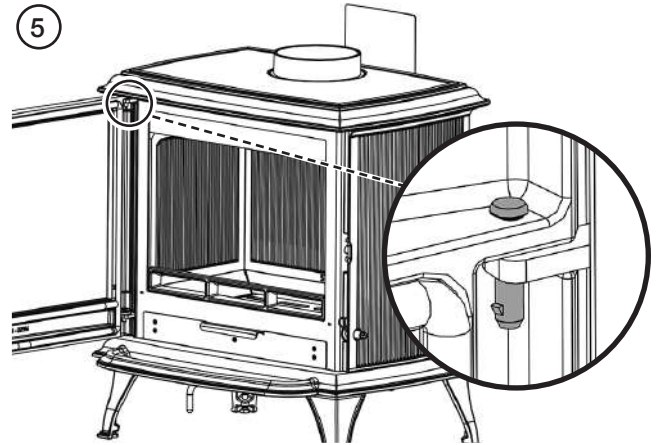
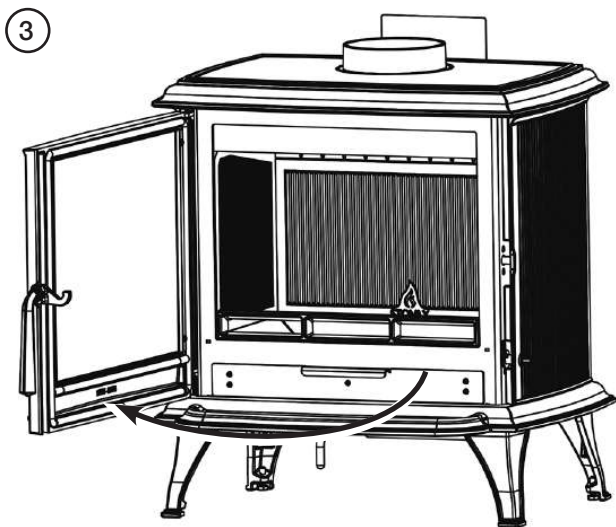
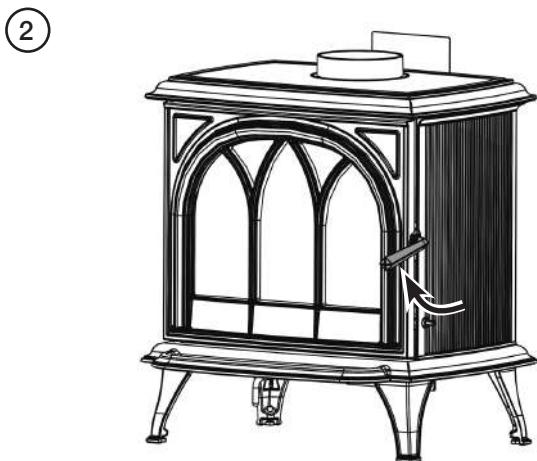
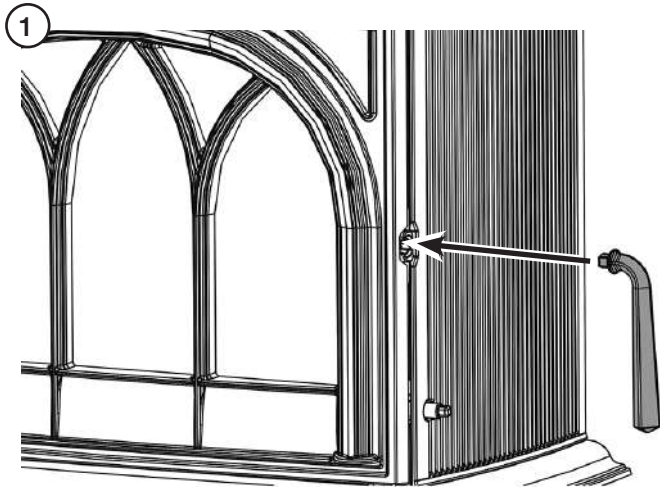


Service and Support

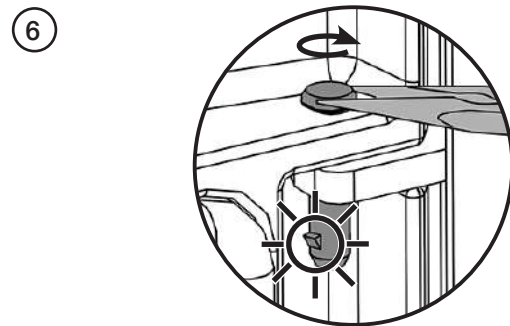
To keep your appliance looking and performing at its best, it must be serviced annually. This service must be undertaken by a suitably qualified individual and your retailer can organise this for you. Alternatively, Stovax offer a manufacturers premium service with our friendly team of qualified engineers which can be booked at www.stovax.com/support

TASK	PRODUCT NAME	NO.
Preventing build-up of creosote in flue	Protector (15 sachets)	7002
	Protector (1kg tub)	7025
Sealing flue pipe joints	Fire Cement (500g tub)	2024
	Fire Cement (600g cartridge)	2021
Re-painting	Touch Up Paint (150ml aerosol)	2105-1
Protecting your hands	Heat resistant gloves	4008 4027 - Long
Thermic seal glue	(50ml bottle)	5037
Cleaning Glass	Stovax Glass Cleaner	4103

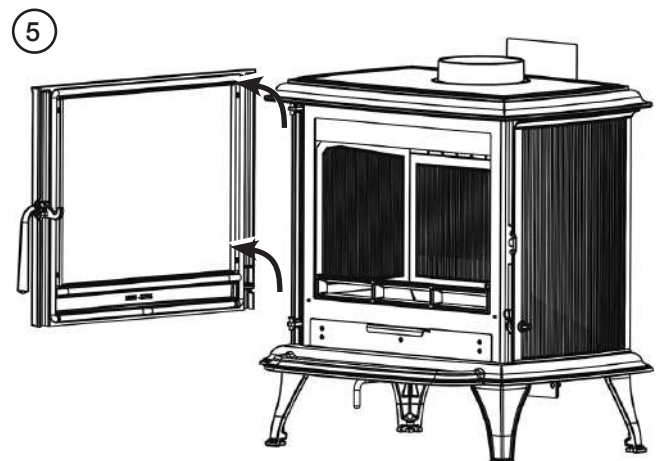
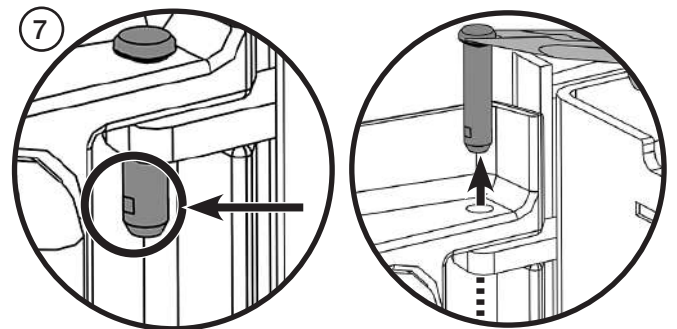
FITTING A NEW DOOR GLASS OR DOOR SEAL



Rotate the hinge pin with pliers if the retractable barb is not showing.

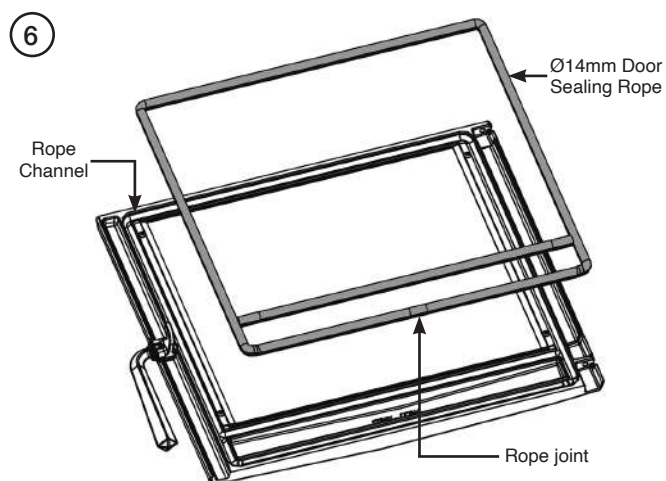


To release the pin, retract the barb using flat pliers and pull the pin upwards.



Lay the door face down on a soft flat surface, to protect the paintwork and glass.

DOOR SEAL



Remove the old rope and scrape old glue from the locating groove.

Clean the locating groove with a clean dry cloth to remove all old dust and debris.

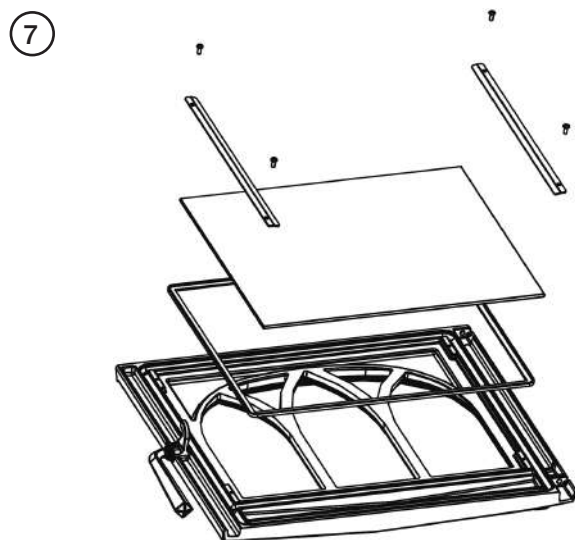
Squeeze a generous bead of fresh Stovax Thermic Seal glue into the rope locating groove.

Press the new Stovax rope into the locating groove, placing the joint in the middle of the lower edge of the door,

DOOR GLASS



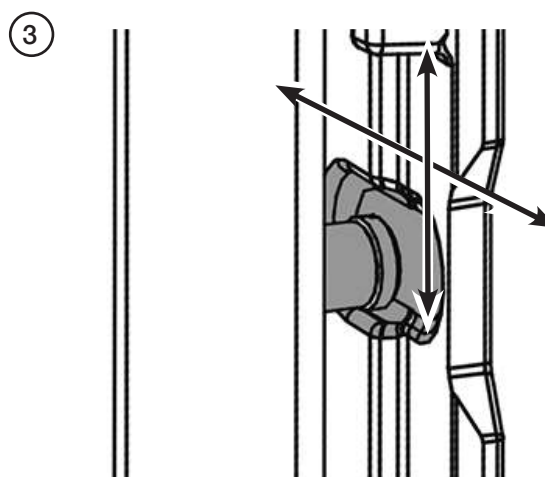
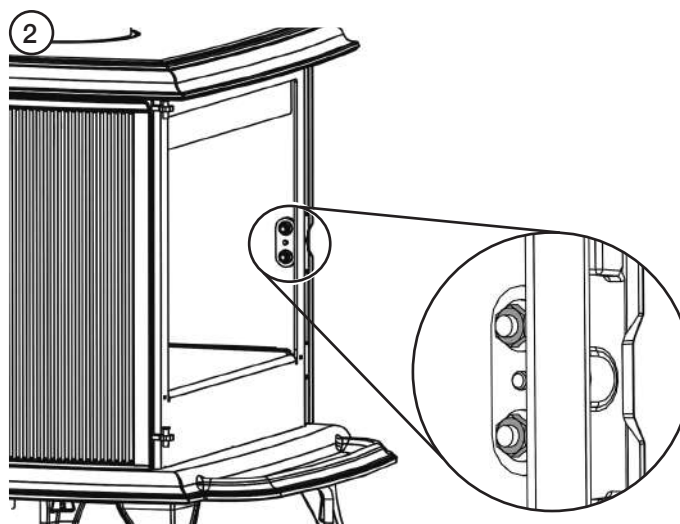
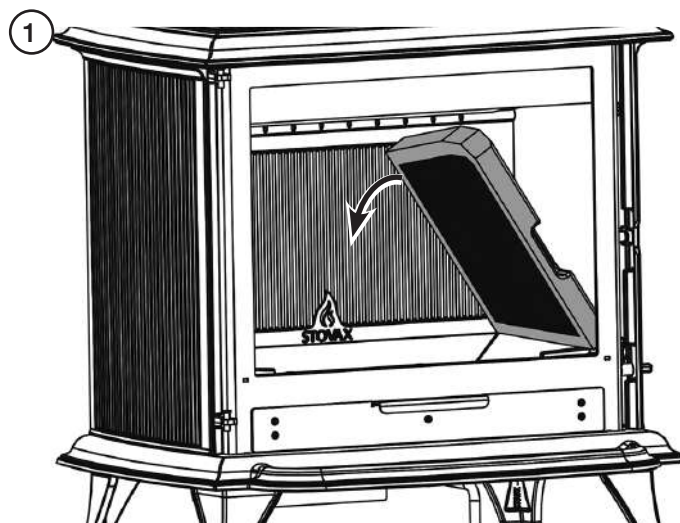
USING THE APPLIANCE WITH A DAMAGED DOOR GLASS COULD CAUSE DANGEROUS FUMES TO ENTER THE ROOM, OR THE APPLIANCE TO OVER-FIRE, RESULTING IN DAMAGE.



i Take note of the roping around the edge of the door glass around the edge. This will also need replacing.

Dispose of the old glass safely.

ADJUSTING THE DOOR CATCH



Fully tighten the nuts to secure the Catch.

Open and close the door several times to check the adjustment.

FINAL CHECKS

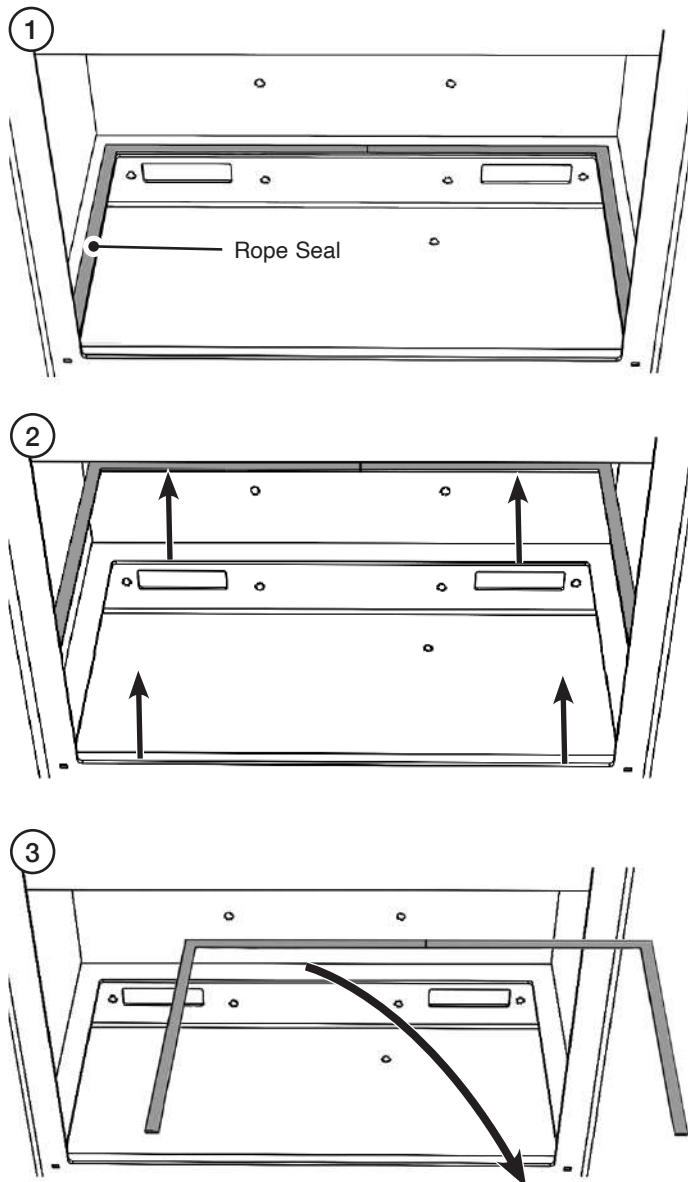
Following these adjustments check that the door:

- Does not come into contact with the log guard.
- Passes the paper sealing test.
- Aligns with the sides and top of the appliance.

REPLACING THE GRATE ROPE SEAL

WOODBURNING MODELS

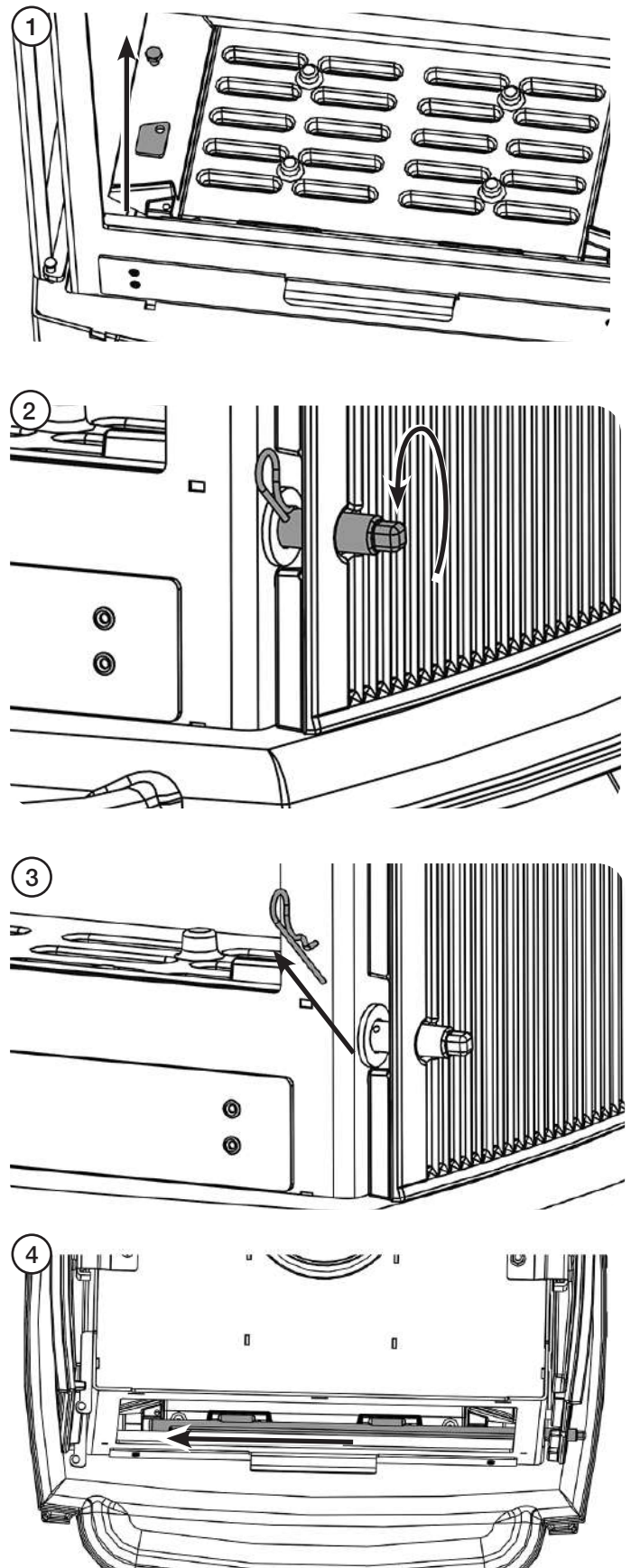
Remove the firebricks.

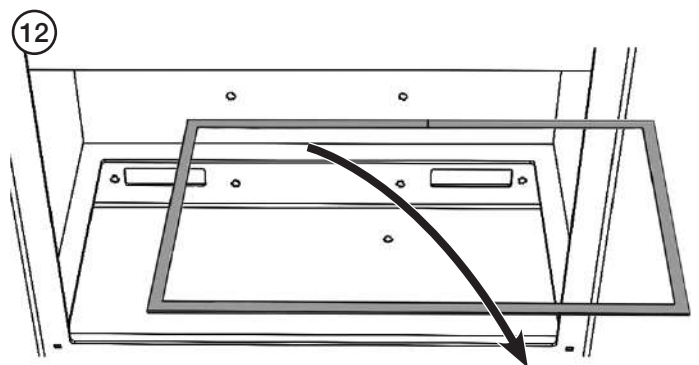
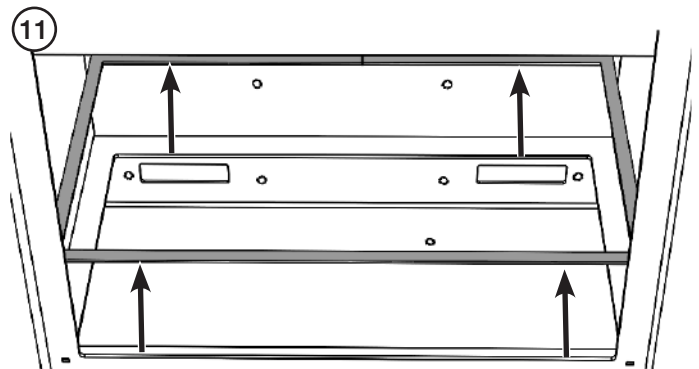
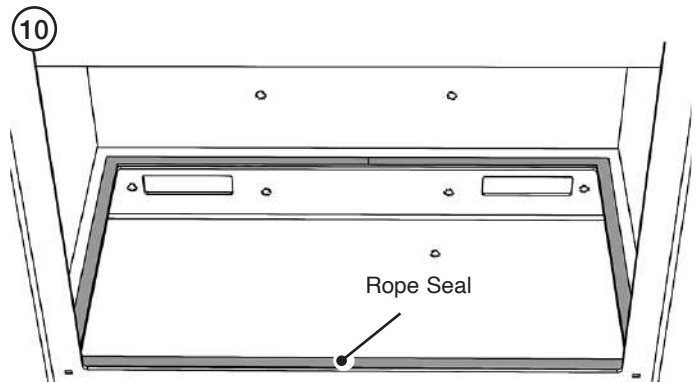
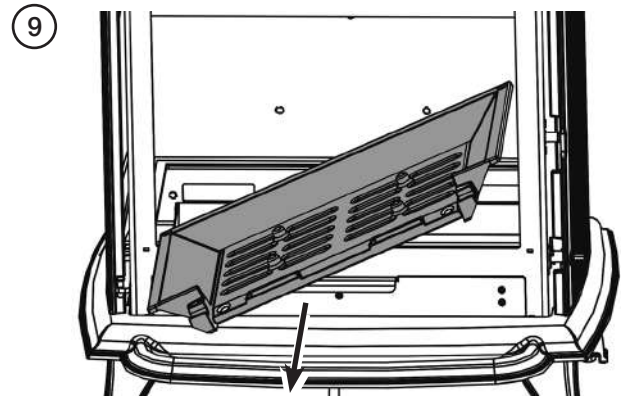
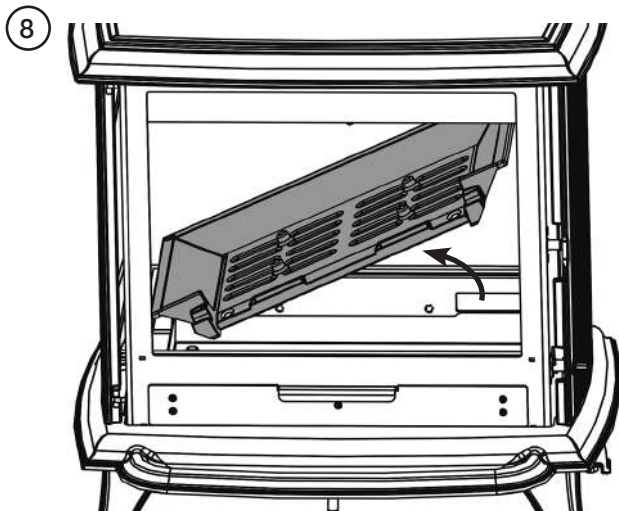
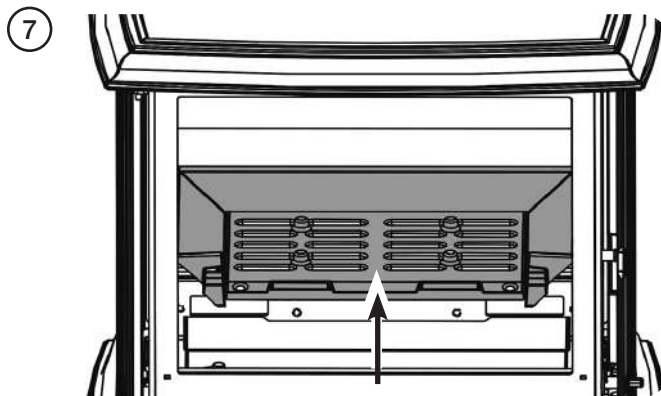
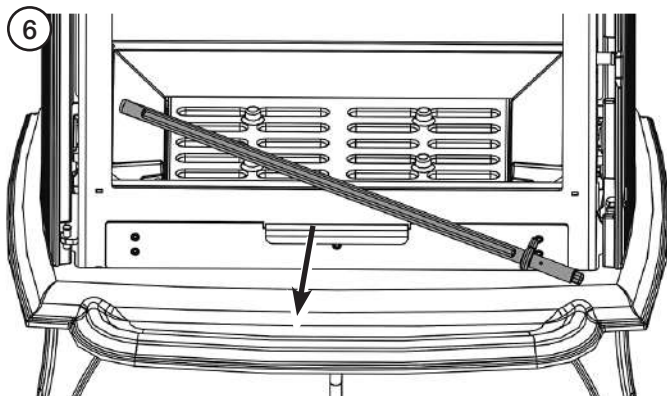
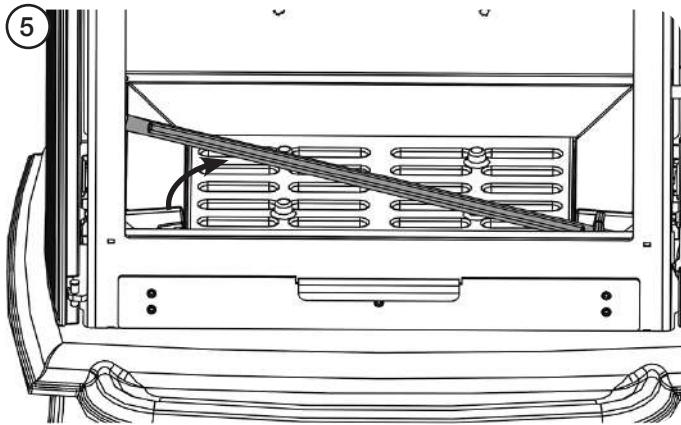


Replace the rope seal.

MULTI-FUEL MODELS

Remove the log guard and firebricks.





Replace the rope seal.

LEGAL REQUIREMENTS

Before installation and/or use of this appliance please read these instructions carefully to ensure that all requirements are fully understood.

The appliance must be fitted by a registered installer, or approved by your local building control officer.

It is very important to understand the requirements of the national Building Regulations and standards, along with any local regulations and working practices that may apply. Should any conflict occur between these instructions and these regulations then the regulations must apply.

Your local Building Control Office can advise regarding the requirements of the regulations.

Works must be carried out with care to meet the requirements of Health and Safety and comply with the Health and Safety rules, and any new regulations introduced during the lifetime of these instructions. Particular attention should be drawn to:

- **Handling:** The appliance is heavy. Adequate facilities must be available for loading, unloading and on site handling.
- **Fire Cement:** Some fire cement is caustic and must not come into contact with the skin. Protective gloves must be worn. Wash hands thoroughly with plenty of water after contact with skin.
- **Asbestos:** This appliance contains no asbestos. If there is the possibility of disturbing any asbestos in the course of installation seek specialist guidance and use appropriate equipment.
- **Metal Parts:** Take care when installing or servicing the stove to avoid personal injury.

A faulty installation can cause danger to the inhabitants and structure of the building.

For users of this appliance:

Your building insurance company may require you to inform them that a new heating appliance has been installed on your property. Check that your cover is still valid after installing the appliance.

FLUE OR CHIMNEY

The flue or chimney system must be in good condition. It must be inspected by a competent person and passed for use with the appliance before installation.

Products of combustion entering the room can cause serious health risks.

The following must be checked:

- The construction of the masonry chimneys, flue block chimneys and connecting flue pipe system must meet the requirements of the Building Regulations.
- A flexible flue liner system can be used if certified for use with solid fuel systems and installation complies with manufacturer's instructions and Building Regulations. The flue liner must be replaced when an appliance is replaced, unless proven to be recently installed and in good condition.

- If it is necessary to fit a register plate it must conform to the Building Regulations.
- The minimum height of the flue or chimney must be 4.5m from the hearth to the top of the flue, with no horizontal sections and a maximum of 4 bends. Bends must have angles of less than 45 degrees from the vertical.
- There should be at least 600mm of vertical flue pipe above the appliance before any bends are introduced.
- Ensure the connecting flue pipe is kept a suitable distance from any combustible material and does not form part of the supporting structure of the building.
- The installer must ensure the flue pipe diameter is not less than the diameter of the outlet of the appliance and does not narrow to less than the size of the outlet at any point in the system.
- Make provision to remove the appliance without the need to dismantle the chimney.
- Any existing flue must be confirmed as suitable for the new intended use as defined in the Building Regulations.
- The flue or chimney systems must be inspected and swept to confirm the system is structurally sound and free from obstructions.
- If the chimney is believed to have previously served an open fire it must be swept a second time within a month of regular use after installation to clear any soot falls that may have occurred due to difference in combustion levels.
- The flue exit from the building must comply with local building control rules.
- Chimney heights and/or separations may need to be increased in particular cases where wind exposure, surrounding tall buildings, high trees or high ground could have adverse effects on flue draught.
- Do not connect or share the flue or chimney system with another heating appliance.

Do not connect to systems containing large voids or spaces over 230mm square.

Suitable access must be provided to enable the collection and removal of debris.

The flue must be swept and inspected when the appliance is installed.

Flue Draught

The flue draught must be checked with all windows and doors closed and any extraction fans in this, or adjoining rooms, running at maximum speed (see Installation Checklist for ventilation requirements).

TWIN WALL FLUE SYSTEM

If this appliance is to be used in conjunction with a twin wall flue system then Stovax recommend the use of their Professional XQ range. Details of this product are available from your Stovax retailer.

VENTILATION

Many older buildings are sufficiently ventilated by natural leakage of air to provide suitable air supply for an appliance of 5kW output or less.

Modern building techniques have reduced the amount of air that leaks in or out of a house. A modern construction with an air tightness of less than 5m³ per hour per m² requires an air vent for **ALL** solid fuel appliances including those with a rated heat output of less than 5kW.

NOTE: The air leakage of a modern house is tested at the completion of construction and a certificate issued confirming this.

This appliance requires a constant supply of air to maintain proper combustion and effective flue performance.

An inadequate air supply can result in poor combustion and smoke entering the room which is potentially dangerous.

This supply of air can come from either:

- Purpose provided ventilation.
- Some Stovax appliances can also be fitted with an optional outdoor air kit which allows air to be drawn in from the outside.

The amount of air required must comply with local building regulations and the rules in force.

If vents open into adjoining rooms or spaces there must be an air vent of at least the same size direct to the outside.

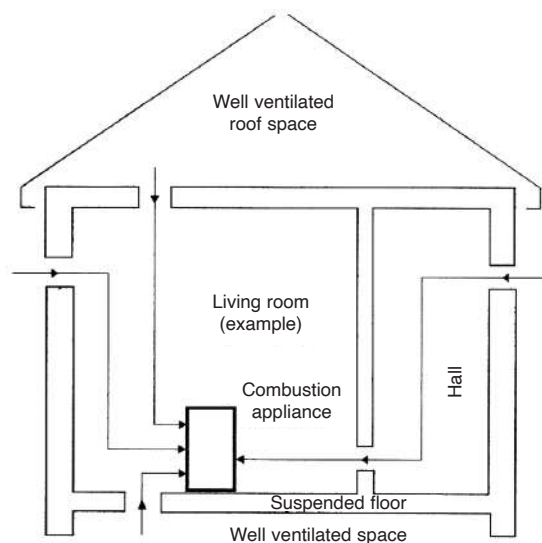
Site the vents where cold draught is unlikely to cause discomfort. This can be avoided by placing vents near ceilings or close to the appliance (See diagram).

Extractor fans, cooker hoods and other heating devices placed in the same room or space as the appliance, may cause problems. Extra ventilation must be installed as per each appliance requirements.

The appliance shall not be installed with ventilating systems which have pressure below -15Pa.

Increase air supply provisions where a room contains multiple appliances.

If any checks reveal problems do not proceed with the fitting of the appliance until they have been rectified.



BUILDERS OPENING

Many fireplace openings have a supporting lintel. Remove the covering plaster to identify its position before starting any constructive work. Do not remove constructional lintels without making provision to support the remaining structure of the building. The appliance must not form any part of the supporting structure.

The chimney/flue must have a sealed connection to the appliance flue spigot.

The structure of the builders opening will reach high temperatures. Use insulating blockwork to reduce the heat transfer to the external walls.

Take care when finishing the chimney breast and surrounding area. The conducted and convected heat emitted by the appliance could be high enough to crack normal plaster. Use a high temperature plaster, or face the area with a suitable non combustible board avoiding any joints above the appliance. New plaster should be fully dried before the appliance is used, or cracking could occur.

If you are in any doubt about your ability to produce a safe opening contact your Stovax dealer for professional advice.

FIRE SURROUND CLEARANCES

We recommend you obtain expert advice before proceeding with work of this nature.

Some finishes may discolour with heat and some lower quality products may distort, or crack, when in use.

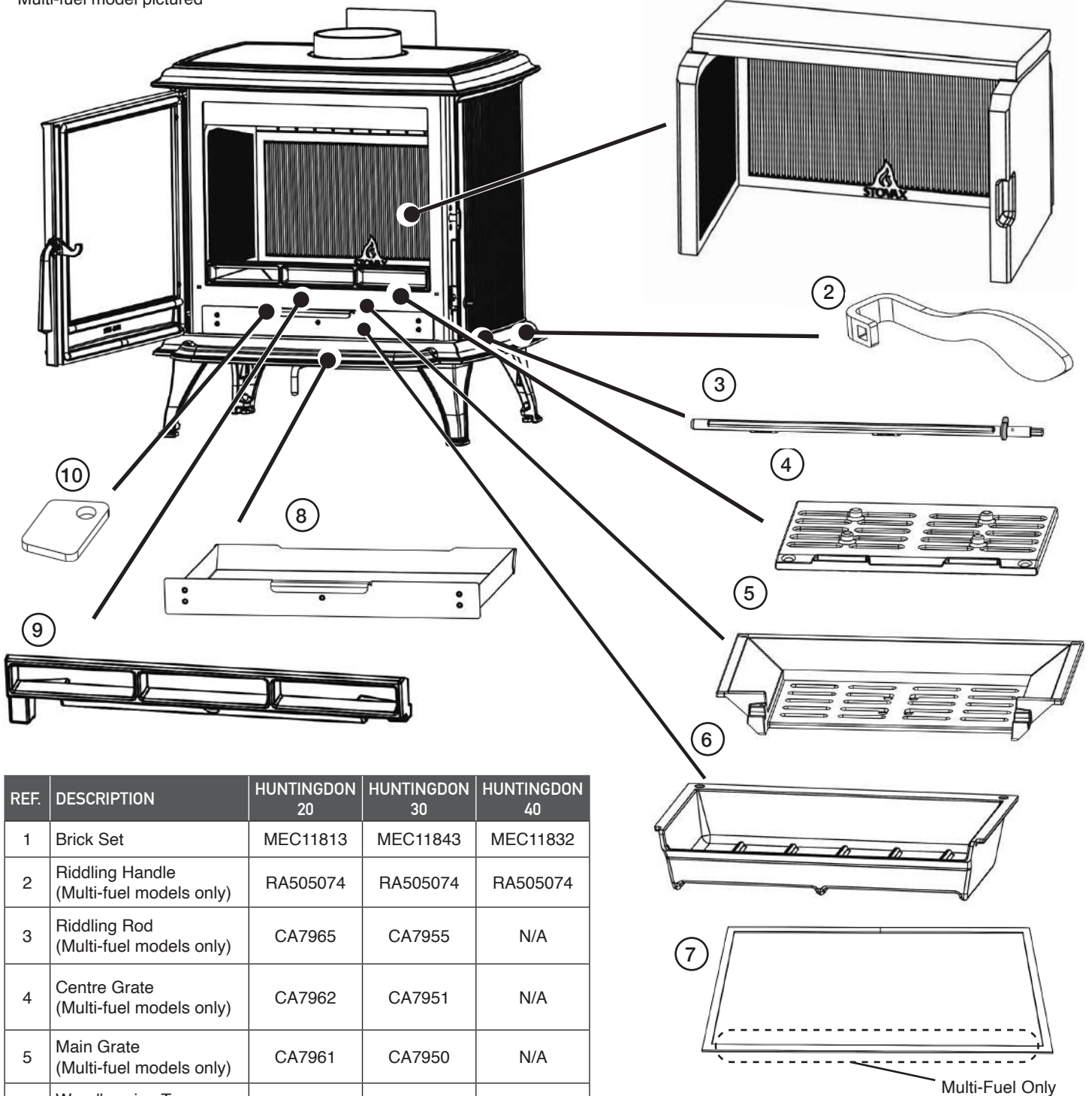
If stone / granite / marble or any other natural material is used to construct the fire surround, or any part of it, provision should be made for expansion and movement of the parts due to heating and cooling.

If you are in any doubt about the installation requirements, or suitability of fire surrounds contact your Stovax dealer.

All fire surrounds should be suitable for use with solid fuel heating products.

SPARE PARTS

Multi-fuel model pictured



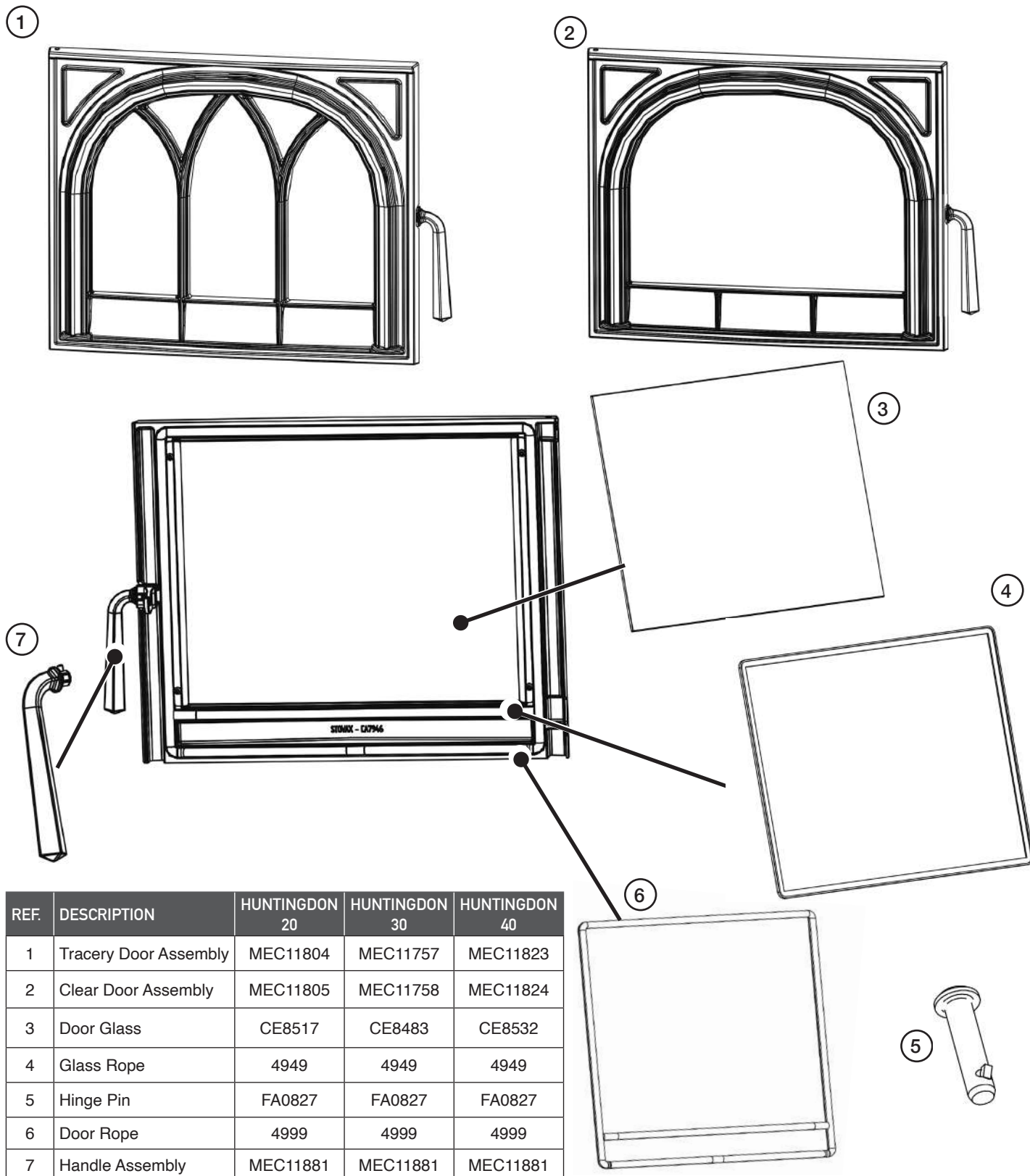
REF.	DESCRIPTION	HUNTINGDON 20	HUNTINGDON 30	HUNTINGDON 40
1	Brick Set	MEC11813	MEC11843	MEC11832
2	Riddling Handle (Multi-fuel models only)	RA505074	RA505074	RA505074
3	Riddling Rod (Multi-fuel models only)	CA7965	CA7955	N/A
4	Centre Grate (Multi-fuel models only)	CA7962	CA7951	N/A
5	Main Grate (Multi-fuel models only)	CA7961	CA7950	N/A
6	Woodburning Tray (Wood models only)	CA7963	CA7953	CA7975
7	Grate Rope Seal (2m Pack)	4949		
8	Ashpan (Multi-fuel models only)	MEC11803	MEC11746	N/A
9	Log Guard (Multi-fuel models only)	CA7964	CA7940	N/A
10	Riddling Rod Plate (Multi-fuel models only)	ME602333	ME602333	N/A



Due to continual technical improvements please check online or with your Stovax retailer for the most up to date parts lists.

Only use Genuine Stovax spares when servicing your appliance.
All of our essential spare parts and consumable items are available to purchase from our webshop at www.stovaxspares.com.

SPARE PARTS



REF.	DESCRIPTION	HUNTINGDON 20	HUNTINGDON 30	HUNTINGDON 40
1	Tracery Door Assembly	MEC11804	MEC11757	MEC11823
2	Clear Door Assembly	MEC11805	MEC11758	MEC11824
3	Door Glass	CE8517	CE8483	CE8532
4	Glass Rope	4949	4949	4949
5	Hinge Pin	FA0827	FA0827	FA0827
6	Door Rope	4999	4999	4999
7	Handle Assembly	MEC11881	MEC11881	MEC11881

i Due to continual technical improvements please check online or with your Stovax retailer for the most up to date parts lists.
 Only use Genuine Stovax spares when servicing your appliance.
 All of our essential spare parts and consumable items are available to purchase from our webshop at www.stovaxspares.com.

PRODUCT FICHE - INFORMATION REQUIREMENT FOR SOLID FUEL LOCAL SPACE HEATER

Model	Huntingdon 20 Wood	Huntingdon 20 Multi-Fuel	Huntingdon 30 Wood	Huntingdon 30 Multi-Fuel	Huntingdon 40 Wood
Energy Efficiency Class	A+	A	A+	A+	A
Direct Heat Output (kW)	4.0	4.1	5.0	5.0	8.0
Indirect Output (kW)	-	-	-	-	-
Energy Efficiency Index (EEI)	107	104	110	108	101
Useful Energy Efficiency at Nominal Heat Output	80.9%	78.3%	82.7%	81.6%	76.4%
Safety Precautions	Appliance must be installed, Used and Maintained in accordance with the manufacturers instructions supplied				

PRODUCT MATERIAL INFORMATION

The following substances, preparations or components should be disposed of or recovered separately from other WEEE in compliance with Article 4 of EU Council Directive 75/442/EEC.

Metal	Steel	Can be taken to a local recycling centre for reuse to reduce waste going to landfill.
	Cast iron	
Glass		Can be taken to a local recycling centre for reuse to reduce waste going to landfill.
Vermiculite linings		Non hazardous material. Vermiculite can be crushed up and used for plant bedding and ash used for composting or disposed of at a local recycling centre for reuse to reduce waste going to landfill.
Rope seals		Rope seals are made from Refractory Ceramic Fibre (RCF), a material which is commonly used for this application. Protective clothing is not required when handling these articles, but it is recommended to follow normal hygiene rules of not smoking, eating or drinking in the work area and always wash hands before eating or drinking. When servicing the appliance it is recommended that the replaced items are not broken up, but are sealed within heavy duty polythene bags and labelled as RCF waste. RCF waste is classed as stable, non-reactive hazardous waste and may be disposed of at a licensed landfill site.
Electrical components	(Fan kits etc if applicable)	Dispose of at a local recycling centre in accordance with the WEEE directive.

SERVICE RECORDS

1ST SERVICE

Date of Service:.....

Next Service Due:.....

Signed:.....

Dealer's Stamp/HETAS Registration Number

3RD SERVICE

Date of Service:.....

Next Service Due:.....

Signed:.....

Dealer's Stamp/HETAS Registration Number

5TH SERVICE

Date of Service:.....

Next Service Due:.....

Signed:.....

Dealer's Stamp/HETAS Registration Number

7TH SERVICE

Date of Service:.....

Next Service Due:.....

Signed:.....

Dealer's Stamp/HETAS Registration Number

9TH SERVICE

Date of Service:.....

Next Service Due:.....

Signed:.....

Dealer's Stamp/HETAS Registration Number

2ND SERVICE

Date of Service:.....

Next Service Due:.....

Signed:.....

Dealer's Stamp/HETAS Registration Number

4TH SERVICE

Date of Service:.....

Next Service Due:.....

Signed:.....

Dealer's Stamp/HETAS Registration Number

6TH SERVICE

Date of Service:.....

Next Service Due:.....

Signed:.....

Dealer's Stamp/HETAS Registration Number

8TH SERVICE

Date of Service:.....

Next Service Due:.....

Signed:.....

Dealer's Stamp/HETAS Registration Number

10TH SERVICE

Date of Service:.....

Next Service Due:.....

Signed:.....

Dealer's Stamp/HETAS Registration Number

FOR ENQUIRIES IN THE U.K (EXCLUDING NI):

Stovax Limited, Spitfire Avenue, Skypark, Clyst Honiton, Exeter, Devon, England EX5 2FR

Tel: (01392) 474011 E-mail: info@stovax.com www.stovax.com

FOR ENQUIRIES IN EUROPE (INCLUDING NI):

Stovax Heating Group (NI) Ltd (Comp reg NI675194), 40 Linenhall Street, Belfast, BT2 8BA

DX 400 NR Belfast Tel: +44 (0)1392 261990 E-mail: northernireland@stovax.com



PM1783