

INSTALLATION AND USER INSTRUCTION GUIDE



Electric Wall Fire with Remote Control

Model No: 2668

Read these instructions thoroughly before use and keep for future reference.

Important Safety Instructions

When using this appliance, basic precautions should be followed to reduce the risk of fire, electric shock, and injury to person, including the following:

- This heater must be used on an AC supply only and the voltage marked on the heater must correspond to the supply voltage.
- Do not switch the appliance on until it is properly installed as described in this manual.
- The heater must not be located immediately below a socket outlet. Do not leave the appliance switched on when leaving your home or going to sleep.
- Do not leave unattended when plugged in to the mains supply.
- This heater is not intended for use by children. Never leave unsupervised children where the heater is left switched ON (I) or unguarded.
- Only use the appliance for domestic purposes and in the way indicated in these instructions.
- From time to time check the cord for damages. Never use the appliance if the cord or any part of the appliance shows any signs of damage.
- If the supply cord is damaged, it must be replaced by the manufacturer, its service agent or similarly qualified persons in order to avoid a hazard.



- **WARNING:** In order to avoid overheating, do not cover or obstruct the heater in any way.
- Do not use this heater in the immediate surroundings of a bath, a shower, swimming pool or any wet area
- Make sure the connection cord does not touch any hot surfaces.
- Keep the appliance front at least 100cm (1.0m) from walls and any other combustible materials.
- Do not use the appliance outdoors
- Do not use if you have wet hands.
- Never move the appliance by pulling the cord.
- Before cleaning the appliance, make sure it is unplugged from the mains power and that it is completely cool
- Do not clean the appliance with abrasive or chemicals.
- Never use accessories that are not recommended or supplied by the manufacturer.
- Never route the mains cable beneath carpet.
- Never use aerosols or similar close to the heater.
- Never use the heater to dry clothes or any other similar items.
- In order to avoid a hazard due to inadvertent resetting of the thermal cut cut-out, this appliance must not be supplied through an external switching device, such as a timer, or connected to a circuit that is regularly switched on and off by utility.
- This heater must not be used with an extension lead.
- Children should be supervised to ensure that they do not play with the appliance.
- This appliance can be used by children aged from 8 years and above and persons with reduced physical, sensory or mental capabilities or lack of experience or knowledge if they have been given supervision or instruction concerning use of the appliance in a safe way and understand the hazards involved.
- Cleaning and user maintenance shall not be made by children without supervision.
- Children of less than 3 years should be kept away unless continuously supervised.
- Children aged from 3 years and less than 8 years shall only switch on/off the appliance provided that it has been placed or installed in its intended normal operating position and they have been given supervision or instruction concerning use of the appliance in a safe way and understand the hazards involved. Children aged from 3 years and less than 8 years shall not plug in, regulate and clean the appliance or perform user maintenance.
- **WARNING:** This heater is not equipped with a device to control the room temperature. Do not use this heater in small rooms when they are occupied by persons not capable of leaving the room on their own, unless constant supervision is provided.
- **CAUTION-** Some parts of this product can become very hot and cause burns. Particular attention has to be given where children and vulnerable people are present.

Getting Started

- Remove the appliance from the box.
- Remove any packaging from the appliance.
- Place the packaging inside the box and either store or dispose of safely.

Helpful Advice before Fitting

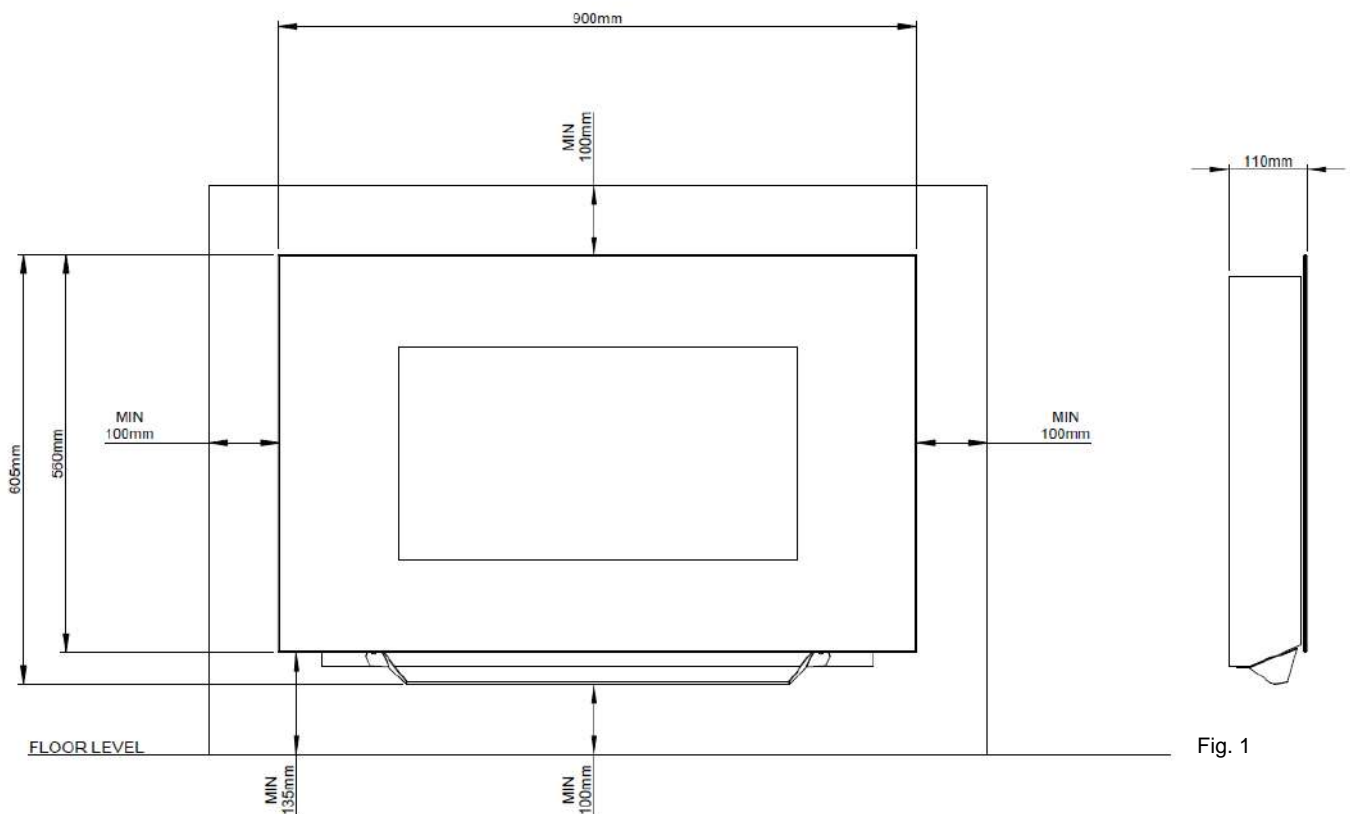
- Please retain all packaging until you have checked and counted all the parts and the contents of the fixing pack against the parts list.
- The fixing pack contains small items which should be kept away from young children.

Contents of Carton

- Electric heater
- Wall Fixing bracket
- Fixing screws and wall plugs
- 1 x Bag of White Stones
- 1 x Bag of Crystals
- 1 x Log Fuel Bed
- 1 x Remote control
- 2 x AAA Batteries
- 1 x Instruction Manual

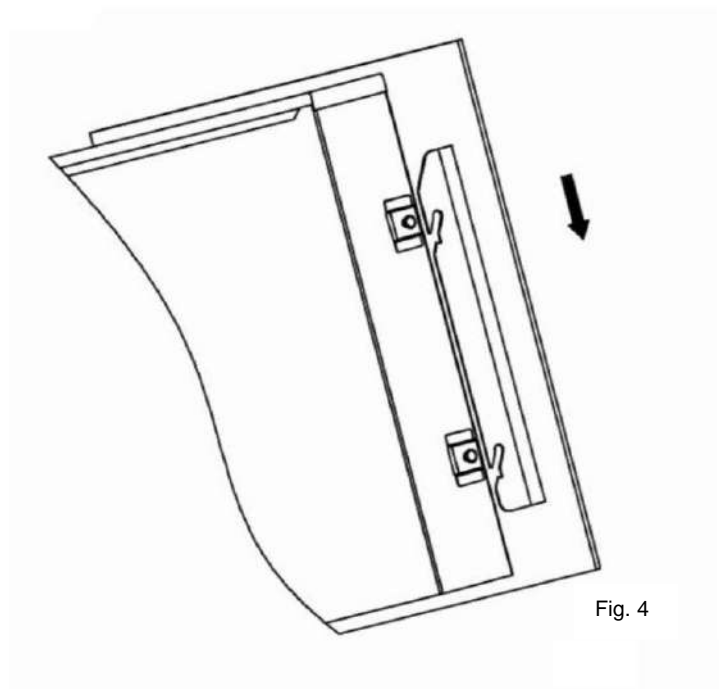
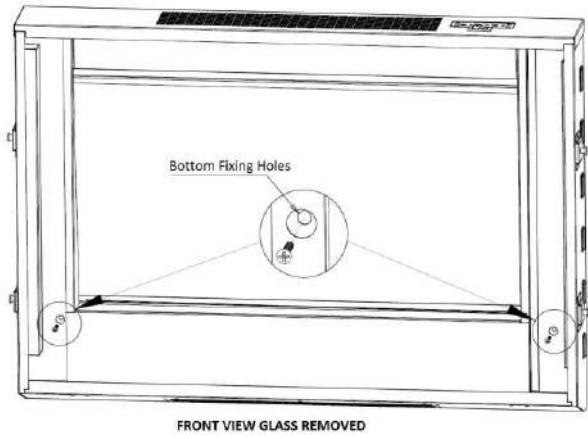
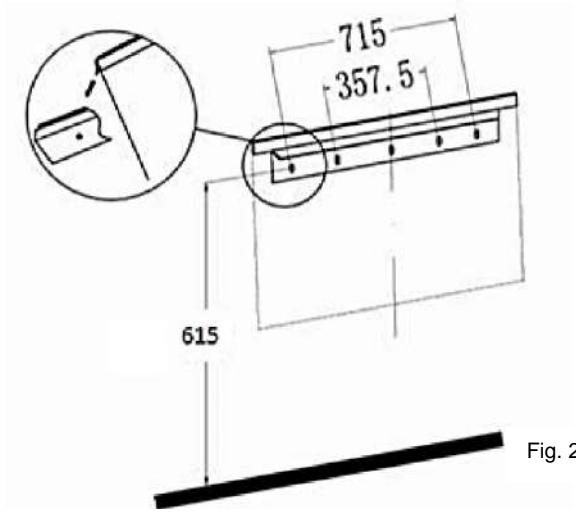
Installation Instructions with baffle fitted

- Do not connect the appliance until properly fixed to the wall and the instructions have read carefully.
 - The minimum distances must be observed.
 - For installation of the appliance, care must be taken not to damage concealed cables.
 - Please be careful while drilling the holes.
 - **This appliance is designed to be permanently fixed to a wall at a minimum height of 100mm as below (Fig.1). The wall bracket must be fitted horizontally and the cable routed to the bottom right of the heater.**
 - **Keep top of heater at a minimum 100mm away from ceiling or other objects for optimum ventilation-see Fig.1.**
 - **Keep left and right side of heater at a minimum 100mm away from wall or other objects for optimum ventilation-see Fig.1.**
 - For optimum viewing, mark the top four screw fixing positions on wall in accordance with the recommend fixing dimensions - see Fig.2. Drill holes with a 6mm drill bit.
 - Fix the wall bracket using the wall plugs and screws provided.
 - Carefully lift the heater up ensuring that the top rear ledge of heater engages with the wall bracket (see Fig.2 in circle) and is sitting centrally.
 - Mark the bottom two hole positions and then remove the heater- see Fig 3.
 - Drill wall and fit wall plugs.
 - Refit the heater to the wall fixing bracket, use the screws provided to permanently fix the heater in place.
 - **Unpack the white stones or crystals from the bag and place them along the light unit in the desired position. Alternatively place the log fuel bed along the light unit.**
- Place the front glass over the front of the appliance aligning the slots in the brackets at each side of the glass panel with the lugs on the sides of the heater - see Fig.4.



bemodern

FIREPLACES & STOVES | BATHROOM FURNITURE



Installation Instructions no baffle fitted

- Do not connect the appliance until properly fixed to the wall and the instructions have read carefully.
- The minimum distances must be observed.
- For installation of the appliance, care must be taken not to damage concealed cables.
- Please be careful while drilling the holes.
- **This appliance is designed to be permanently fixed to a wall at a minimum height of 400mm – see Fig.5. The wall bracket must be fitted horizontally and the cable routed to the bottom right of the heater.**
- **Keep top of heater at a minimum 100mm away from ceiling or other objects for optimum ventilation-see Fig.5.**
- **Keep left and right side of heater at a minimum 100mm away from wall or other objects for optimum ventilation-see Fig.5.**
- For optimum viewing, mark the top four screw fixing positions on wall in accordance with the recommend fixing dimensions - see Fig.6. Drill holes with a 6mm drill bit.
- Fix the wall bracket using the wall plugs and screws provided.
- Carefully lift the heater up ensuring that the top rear ledge of heater engages with the wall bracket (see Fig.6 in circle) and is sitting centrally.
- Mark the bottom two hole positions and then remove the heater- see Fig 7.
- Drill wall and fit wall plugs.
- Refit the heater to the wall fixing bracket, use the screws provided to permanently fix the heater in place.
- **Unpack the white stones or crystals from the bag and place them along the light unit in the desired position. Alternatively place the log fuel bed along the light unit.**
- Place the front glass over the front of the appliance aligning the slots in the brackets at each side of the glass panel with the lugs on the sides of the heater - see Fig.8.

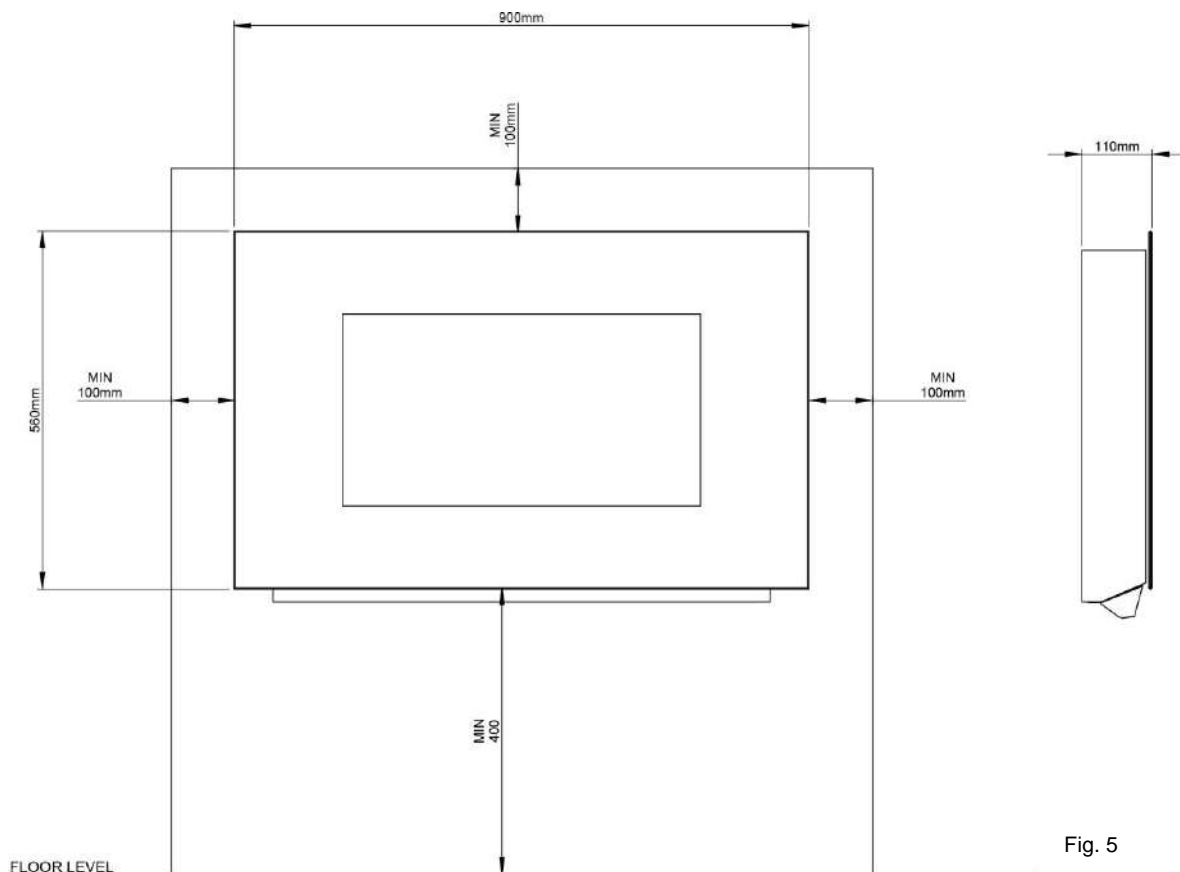
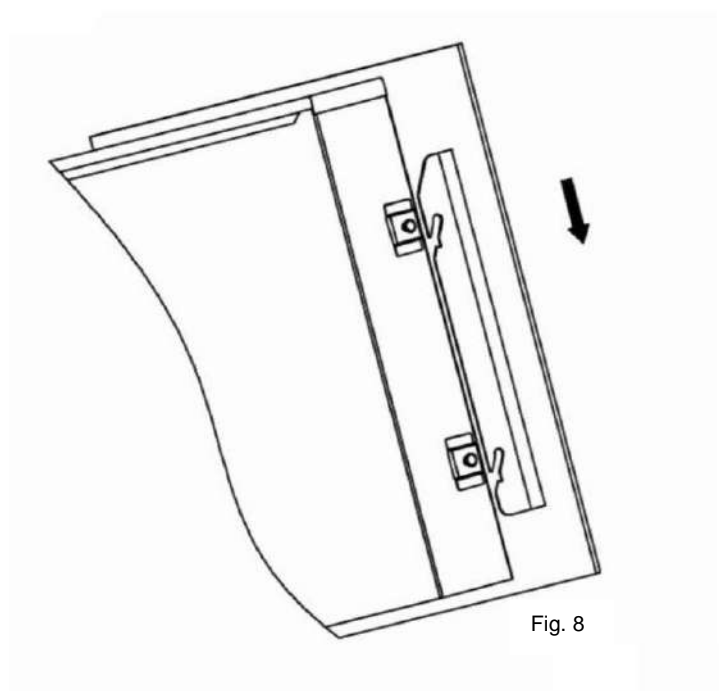
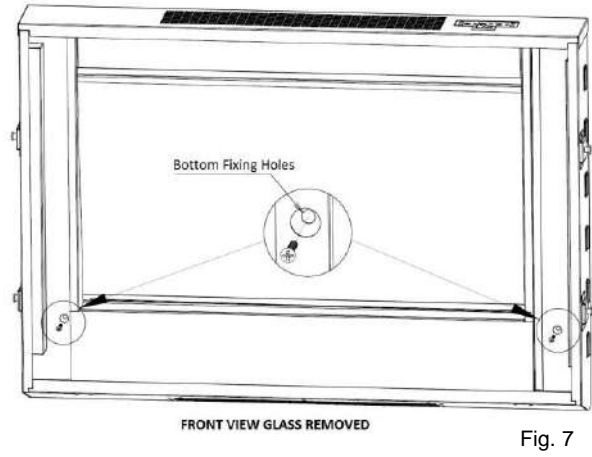
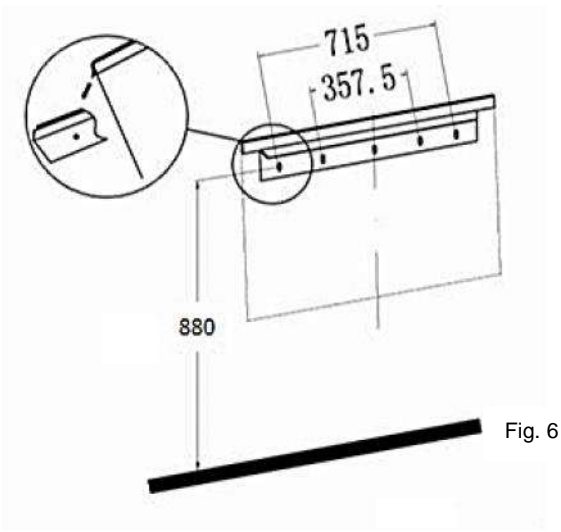


Fig. 5

bemodern

FIREPLACES & STOVES | BATHROOM FURNITURE



Operation Instructions

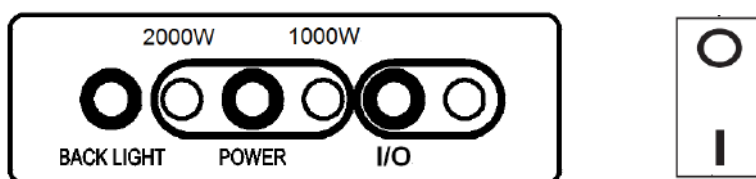
➤ The Controls




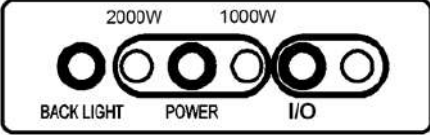
▪ Switching ON / OFF

- Use the ON / OFF switch to power on the heater (set it to standby mode).
- In standby mode, the heater can be operated either manually by the switches located at the top and right hand side of heater or by the supplied remote control.

▪ Manual Operation

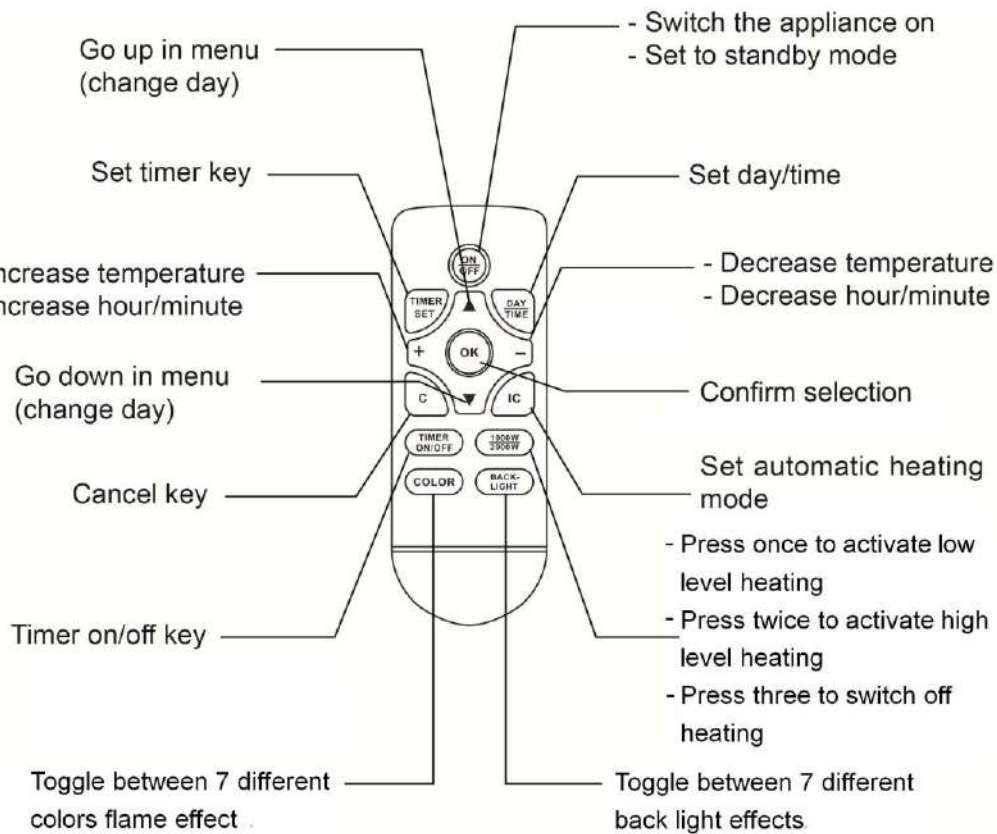
- **NOTE:** The heater only starts working if the set temperature is higher than the ambient room temperature.



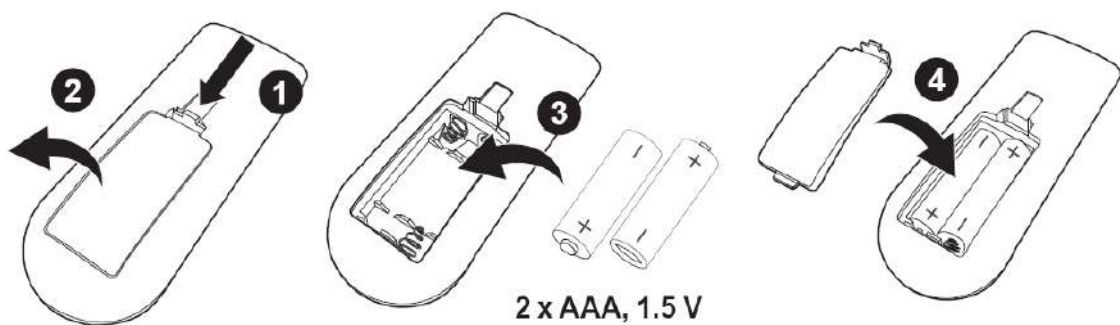
		Heater powered off
		Heater powered on, set to standby mode
	I/O	<ul style="list-style-type: none"> - Press to switch the flame effect ON / OFF - Press and hold to toggle between 7 different flame effect colours
	POWER	<ul style="list-style-type: none"> - Press once to activate low level heating(1000W) - Press twice to activate high level heating(2000W) - Press three times to switch off heating
	BACK LIGHT	<ul style="list-style-type: none"> - Press to toggle between 7 different back light effect colours

Remote Operation

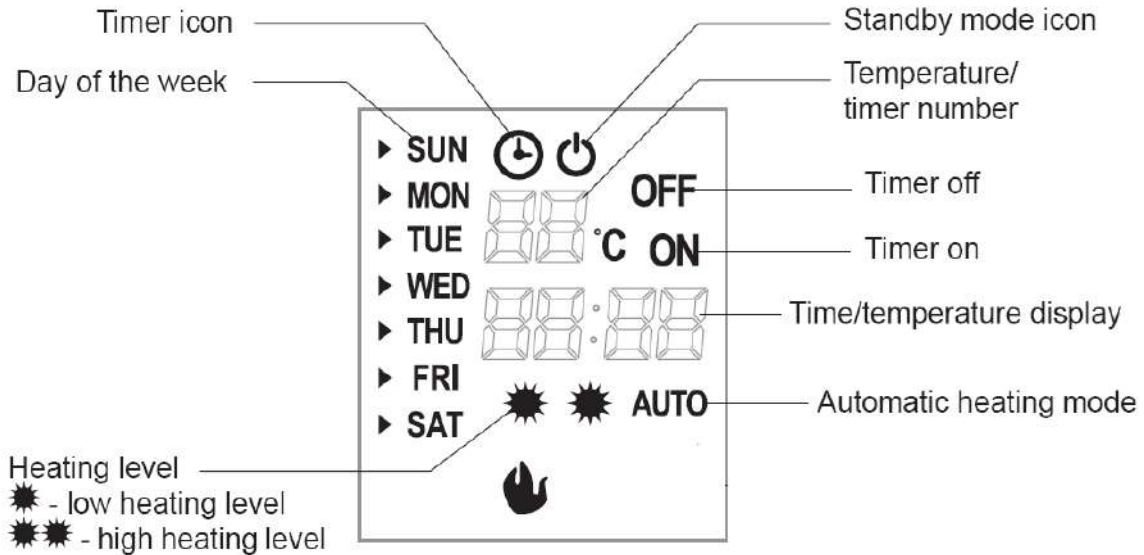
- **NOTE:** The heater should be powered on using the ON / OFF switch before it can be operated using remote control.



- **The remote control requires 2xAAA size batteries.**
- Open the battery compartment by sliding the cover down and insert the batteries noting the polarity indicated in the battery compartment.
- Keep batteries out of reach of children.
- Remote control operations are identical to the functions on the control panel.
- The remote control must be point directly at the sensor on control pad.



➤ Display



➤ Settings

▪ Setting weekday and time

- Press the **DAY / TIME** key. When the day is flashing press the ▲ or ▼ key to select the day.
- Press the **DAY / TIME** key again, then press the + or – key to set the hour.
- Press the **DAY / TIME** key again, then press the + or – key to set the minute.
- Press the OK key to confirm the setting.

▪ Setting temperature

- **NOTE:** This setting is only applicable for the temperature in standard heating mode, not for the temperature in the timer mode. **The default set temperature is 20°C.**
- **NOTE:** The heater only starts working when the set temperature is higher than the room temperature.
- Press the + or – key to set the temperature, which ranges from 15 to 30°C.
- After the temperature setting has been completed, the display flashes about 5 seconds, then shows the room temperature.

Setting timer

- Up to 10 different timer settings can be programmed.
- Each timer setting has its day, power-on time and power-off time.
- The maximum duration of each timer setting is 23 hours 50 minutes.
- If the power-off time of the timer setting falls on the following day, it is unnecessary to set the day-just set the power-off time.
- Press the TIMER SET key, the timer number starts blinking (01-10).
- Press the + or – key to select a timer number.
- Press the TIMER SET key, the cursor on the left side of the day blinks.
- Press the ▲ or ▼ key to move the cursor to the corresponding day. Press the + key to add a corresponding day, or press the - key to delete a day.
- Press the TIMER SET key to set the on time. The hour digit starts blinking.
- Press the + or – key to set the hour.
- Press the TIMER SET key. The minute digit starts blinking.
- Press the + or – key to set the minute.
- Press the TIMER SET key to set the off time. The hour digit starts blinking.
- Press the + or – key to set the hour.
- Press the TIMER SET key. The minute digit starts blinking.
- Press the + or – key to set the minute.
- Press the TIMER SET key. The temperature digit starts blinking.
- Press the + or – key to set the temperature.
- Press the TIMER SET key to continue with the timer setting or press the OK key to confirm the setting.

▪ Viewing the timer setting

- Press the TIMER SET key.
- Press the + or – key to check the power-on time of the set timers one by one.
- To check the power-off time, press the ▲ key.
- Press the + or – key to check the power-off time of the set timers one by one.
- To delete selected setting, press the C key.

▪ Activation timer

- Press the TIMER ON / OFF key to activate the timer function.
- **NOTE:** When the timer is active, the heating level must be manually selected. If the heater function is not selected; only the flame effect goes on at the set power-on time.

▪ Automatic heating mode

- Press the IC key to activate automatic heating mode. The AUTO icon appears on the display.
- When the automatic heating is turned on, the heater automatically changes the heating level depending on the set temperature and the ambient room temperature.

Maintenance

- **WARNING:** Before any maintenance and / or cleaning the exterior of the heater, disconnect the heater from the power supply and leave heater cooled off. The heater uses an electronically controlled LED system to create the flame effect therefore no parts need to be replaced. Under no circumstances should the heater be serviced by anyone other than a qualified electrician.

Safety Cut-out

- This heater is fitted with a safety cut-out which will operate if the heater overheats (e.g. Due to blocked air vents). For safety reasons, the heater will NOT automatically reset.
- To reset the heater, disconnect the heater from the mains supply for at least 15 minutes. Reconnect the supply to the mains and switch on the heater.

Care and Cleaning

- Always disconnect the heater from mains supply and allow cooling before any cleaning operation.
- Trim parts may be cleaned using a clean, damp cloth. Never use abrasive cleaners and chemical agents as damage may occur to the finish.

Technical Specification

- Supply: 220-240V~ 50Hz
- Rated power: 2000W
- Lighting: LEDs

General Information

Model	2668				
Item	Symbol	Value	Unit	Item	Unit
Heat output				Type of heat input, for electric storage local space heaters only (select one)	
Nominal heat output	P_{nom}	2.0	KW	manual heat charge control, with integrated thermostat	Not applicable
Minimum heat output (indicative)	P_{min}	1.0	KW	manual heat charge control with room and/or outdoor temperature feedback	Not applicable
Maximum continuous heat output	$P_{max,c}$	2.0	KW	electronic heat charge control with room and/or outdoor temperature feedback	Not applicable
Auxiliary electricity consumption				fan assisted heat output	Not applicable
At nominal heat output	e_{lmax}	0.014 (fan heater)	KW	Type of heat output/room temperature control (select one)	
At minimum heat output	e_{lmin}	0.014 (fan heater)	KW	single stage heat output and no room temperature control	[no]
In standby mode	e_{lSB}	0.48	W	Two or more manual stages, no room temperature control	[no]
				with mechanic thermostat room temperature control	[no]
				with electronic room temperature control	[no]
				electronic room temperature control plus day timer	[no]
				electronic room temperature control plus week timer	[yes]
				Other control options (multiple selections possible)	
				room temperature control, with presence detection	[no]
				room temperature control, with open window detection	[no]
				with distance control option	[no]
				with adaptive start control	[yes]
				with working time limitation	[no]
				with black bulb sensor	[no]
Contact details	BE MODERN LIMITED;19/34 BEDESWAY, BEDE INDUSTRIAL EST, JARROW, TYNE AND WEAR NE32 3BE				

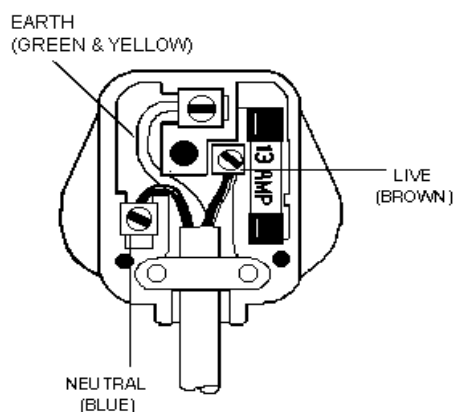
Electrical Connections - UK Plug Wiring Instruction

- If the plug has to be changed because it is not suitable for your socket, or due to damage, please follow the wiring instructions shown below.
- **The wires in the mains lead are coloured in accordance with the following code:**

BROWN	:	LIVE (L)
BLUE	:	NEUTRAL (N)
GREEN / YELLOW	:	EARTH (E)

As the colours of the wires in the mains lead of this appliance may not correspond with the coloured markings identifying the terminals in your plug, as follows

- The BLUE wire is the NEUTRAL and must be connected to the terminal which is marked with the letter N or coloured BLACK.
- The BROWN wire is the LIVE and must be connected to the terminal that is marked with the letter L or coloured RED.
- The wire which is coloured GREEN / YELLOW must be connected to the terminal which is marked E or the earth symbol \perp or coloured GREEN or GREEN / YELLOW.
- Always ensure that the cord grip is positioned and securely fastened.
- **WARNING: THIS APPLIANCE MUST BE EARTHED.**
- ***If a 13A (BS1363) fused plug is used it must be fitted with a BS1362 13A fuse. If in doubt consult a qualified electrician.***



Electric Fire Guarantee

Be Modern Ltd. (the 'Company') provides a **Twelve month** guarantee in respect of electric fire (the 'Product') ranges.

1. The Twelve month Guarantee applies to:

- a. All products in the ranges manufactured by the 'Company' (but subject to the exceptions below): where
- b. The product has been purchased and installed within the UK and in respect of
- c. The initial installation: and in favour of
- d. The original purchaser

2. Proof of Purchase must be retained by the Purchaser

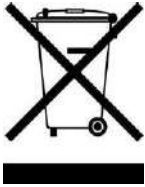
3. The Twelve month Guarantee does not apply to:

- a. **Damage or inferior workmanship practices whilst the 'Product' is being installed**
 - b. **Damage caused by mis-use of the 'Product' or where normal standards of care and use have not been complied with.**
 - c. **Damage through a malfunction or an inadequately installed electric fire.**
 - d. **Damage or defects due to mis-use, accident or unauthorised alterations.**
- 4.** During the twelve months after the 'Product' has been supplied, the Guarantee covers the make good (whether by repair or replacement at the Company's option) of defects arising from defective manufacture of materials of 'Product' covered in Para 1 all at no cost to the purchaser on the proviso:
- a. The Product has been installed as Be Modern recommendations
 - b. The Purchaser uninstalls the Product and makes it available for collection by Be Modern.

This Guarantee does not affect your statutory rights

On requiring service the purchaser should contact the retailer who supplied your product who will assist and advise you as necessary.

Environment



Meaning of crossed –out wheeled dustbin:

Electrical appliances should not be disposed as unsorted municipal waste. Separate collection facilities should be used in the disposal of electrical appliances. Contact your local government for the information about the available collection systems. If electrical appliances are disposed of in landfills or dumps, hazardous substances can leak into the groundwater and get into the food chain, damaging your health and well-being. When old appliances are replaced by the new ones, it is a legal obligation for the retailer to take back the old appliance for disposals at least free of charge.



This fire complies with the Safety Standards EN 60335-1 and EN 60335-2-30 which covers the essential requirements of the Low Voltage Directive 2014/35/EU and the EMC standards EN 55014-1; EN 55014-2; EN 61000-3-2 and EN 61000-3-3 which covers the essential requirements of the European Electro Magnetic Compatibility 2014/30/EU, and the RED standards EN300220-2, EN301489-1, EN301489-3 and EN6247 which covers the essential requirements of the European Radio Equipment Directive 2014/53/EU.

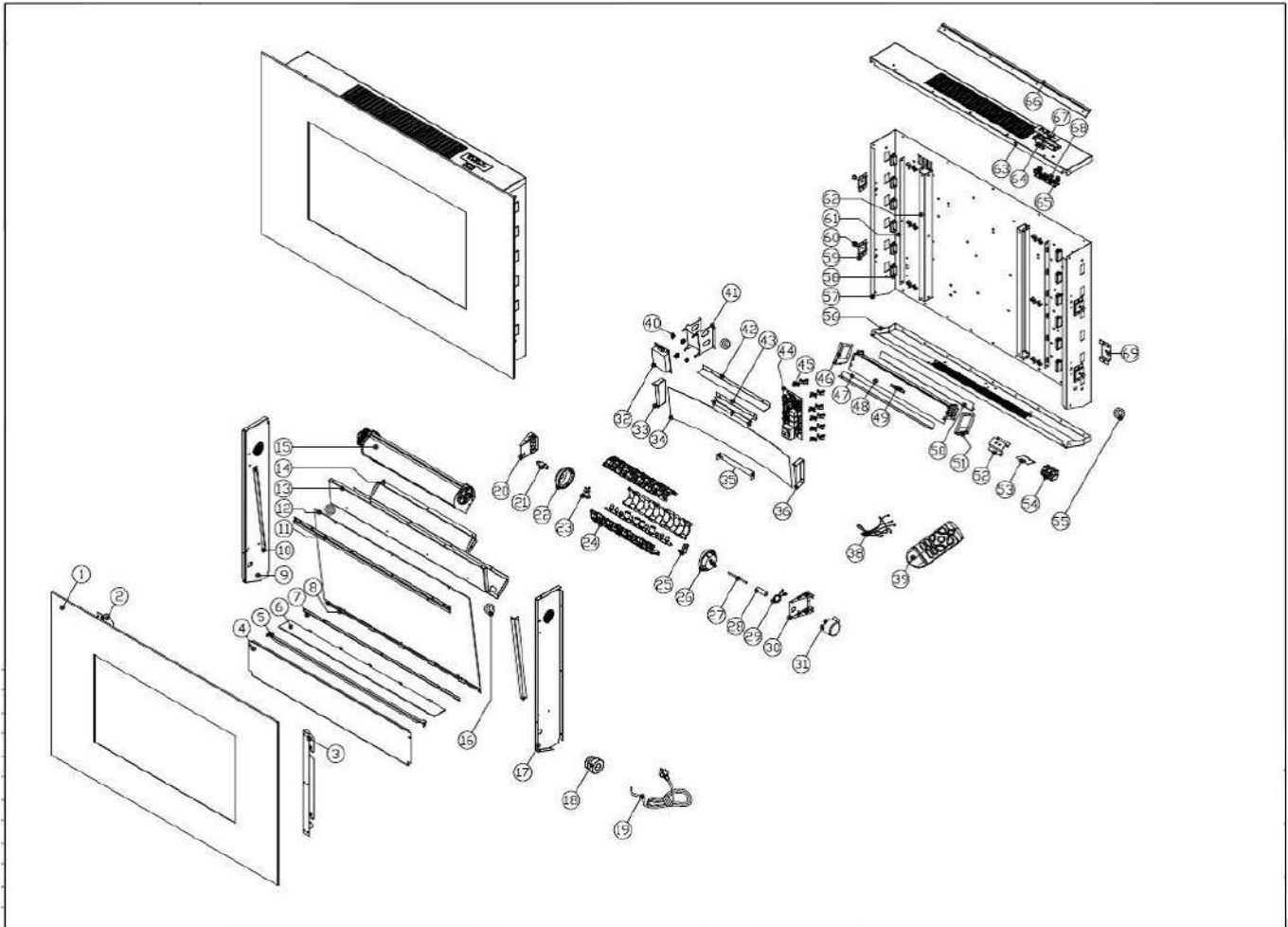


This fire complies with the Safety Standards BS 60335-1 and BS 60335-2-30 which covers the essential requirements of the Electrical Equipment (Safety) Regulations 2016 and the EMC standards BS 55014-1; BS 55014-2; BS 61000-3-2 and BS 61000-3-3 which covers the essential requirements of the Electro Magnetic Compatibility Regulations 2016, and the RED standards BS 300220-2, BS 301489-1, BS 301489-3 and BS 6247 which covers the essential requirements of the Radio Equipment Regulations 2017



RoHS stands for Restriction of Hazardous Substances, and impacts the entire electronics industry and many electrical products as well. The Restrictions of the Use of Certain Hazardous Substances in Electrical and Electronic Equipment Regulations 2012, originated in the European Union in 2002 and restricts the use of six hazardous materials found in electrical and electronic products. All applicable products in the EU and UK market since July 1, 2006 must pass RoHS compliance.

Serviceable / Replacement Parts



- 01 – Glass
- 31 – Flame effect motor
- 32 – Fire display
- 39 – Remote control
- 44 – PCB
- 58 – Side LED strips