



hunterstoves
GROUP



ASPECT 4 DOUBLE SIDED WOOD BURNING STOVE

JINASDS RevB
20/08/2024



HUNTERSTOVES.CO.UK





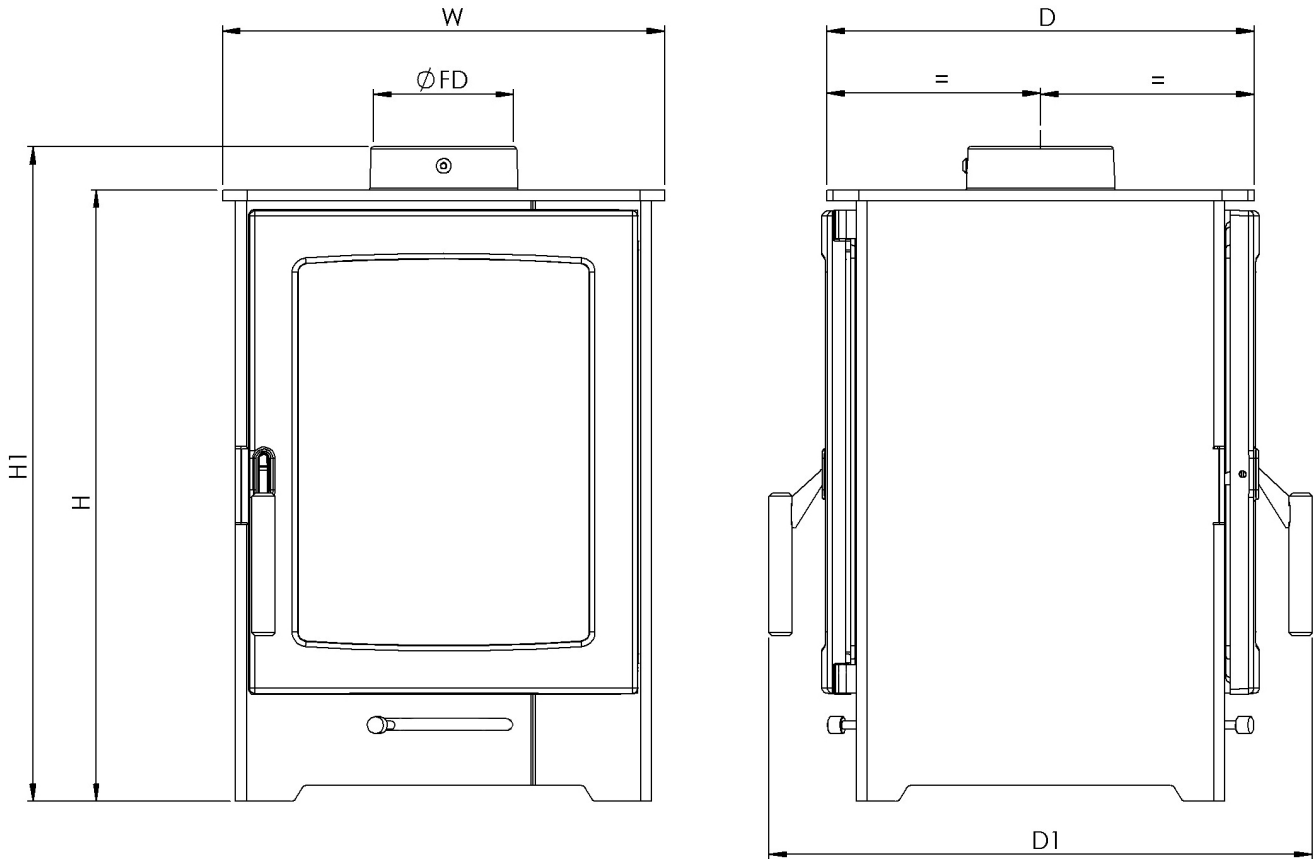
hunterstoves
GROUP

Welcome to the Hunter Stoves family, thank you for purchasing an Aspect Double Sided stove. This stove was designed and built to be a high-performance heating appliance, and we hope it will bring you great enjoyment. The natural environment is important to us and our stoves are manufactured to provide you with a clean and efficient burn that will keep you warm through cold winter nights.

CONTENTS

STOVE DIMENSIONS	1
GENERAL INFORMATION	1
MATERIAL CLEARANCES	3
GENERAL GUIDANCE	4
OPERATING INSTRUCTIONS	9
MAINTENANCE AND SERVICING	11
IMPORTANT INFORMATION	12
TROUBLESHOOTING	14
PRODUCT FICHE & TECHNICAL INFORMATION- UK	15
PRODUCT FICHE & TECHNICAL INFORMATION- EU	16
WARRANTY	17
SERVICING RECORDS	19

STOVE DIMENSIONS



DIMENSIONS	H	H1	W	FD	D	D1
Aspect 4 Double Sided	580mm	620mm	415mm	127mm	420mm	516mm

GENERAL INFORMATION



This appliance will become very hot when used in accordance with the instructions. The supplied operating tool or glove may be used to open the door and operate the air controls. We also recommend use of a fireguard in the presence of children, the elderly or the infirm. The fireguard should be manufactured in accordance with BS 8423.

Competent Persons Scheme

Hunter Stoves Group recommend that this stove be installed by a member of an accredited Competent Persons Scheme e.g. HETAS. If the installer is not a member of a Competent Person's Scheme, it is a legal requirement in the UK to notify your Local Building Control Officer in advance of any installation work starting.

Legal Requirements

These instructions cover the basic principles to ensure satisfactory installation of the stove, although details may need slight modification to suit particular local site conditions.

In all cases the installation must comply with current Building Regulations, Local Authority Byelaws, European and National Standards and other specifications or regulations as they affect the installation of the stove.

It should be noted that the Building Regulations requirements may be met by adopting the relevant recommendations given in British Standards BS 8303 and BS EN 15287 as an alternative means to achieve an equivalent level of performance to that obtained following the guidance given in Approved Document J.

GENERAL INFORMATION

Carbon Monoxide (CO) Alarms

In compliance with Building Regulations, a carbon monoxide (CO) alarm must be installed in the room where the stove is located. (See page 13 for additional details.)

The use of such an alarm is not considered a substitute for regular maintenance or servicing of the appliance and flue system.

Air Supply

Assuming an air permeability rating greater than 5m³/hour/m²:

Aspect 4 Double Sided

The room or space containing this appliance does not need a permanent, unobstructed air opening. Due consideration should be given to air requirements for any other appliance in the same room or space. Any air opening must be kept clear from blockage or obstruction.

New Build

Attention is needed in new build properties where the design air permeability is less than 5m³/hour/m² at 50 Pa. Approved Document J and Appendix F give further information. A window opening is not appropriate.

Clearance to Combustibles

For clearance to combustible materials, refer to table on page 3.

Clearance to combustible materials are stated in accordance with BS EN 16510, where a combustible surface at the stated distance will be less than 65°C above ambient room temperature (under test conditions). This applies in all directions, e.g. towards walls and towards the hearth.

Clearance to Non-Combustibles

For clearance to non-combustible materials, refer to Building Regulations Approved Document J. Additionally, Hunter Stoves recommends a minimum gap of 75mm around the stove to provide space for convection around the appliance, improving heat transfer to the room.

Certificate of Compliance

After completion of the appliance installation please ensure the form below (specimen) is completed by your installer to comply with the requirements of HETAS and building regulations. The installer must supply these details, including registration number for any insurance details that may need changing after installation of the appliance.

Hearth

Hearth constructions must comply with the current building regulations.

Your stove must be installed on a floor with adequate load-bearing capacity. If the existing construction does not meet this pre-requisite, suitable measures (e.g. load distributing plate) should be put in place.

The stove should stand wholly above a solid, non-combustible hearth, at least 125 mm thick (this may include the thickness of a solid floor).

A hearth surface free of combustible material should extend at least 225mm from the front of the appliance (as per Building Regulations), although we recommend more where possible to cover the swing of the door. Please refer to Building Regulations Approved Document J for further information.

Connection to the Chimney

An existing fireplace opening can be bricked up or sealed with a register plate. A short length of flue pipe of minimum 125mm internal diameter may then be used to connect the stove to the chimney. This flue pipe should be made of 316 grade stainless steel or vitreous enamelled steel, nominal thickness 1.2mm. Ensure that the pipe end is no closer than 76mm to the chimney walls. The length of any horizontal run of flue pipe must not exceed 125mm. It is essential that all connections between the stove and chimney-flue are sealed and made airtight. Any bend in the chimney or connected flue pipe should not exceed 45° to the vertical, and 90° bends should not be used.

Ensure any existing chimneys are clear of obstruction and have been swept prior to installation. If the stove is being fitted into a previously open fireplace then the chimney must be swept one month after fitting.

Make provision to access the chimney/flue system for cleaning and the removal of debris. If there is no existing chimney then either a prefabricated block chimney in accordance with Building Regulations Approved Document J, or a twin-walled insulated stainless-steel flue to BS EN 1856 can be used. These chimneys must be fitted in accordance with the manufacturer's instructions and Building Regulations. New masonry and flue block chimneys must meet the requirements of Building Regulations Document J. Any connecting flue pipe systems must also meet these regulations.

Please check the suitability of the fireplace and/or surround for use with this appliance before you begin installation. If you have any doubts about the suitability of your chimney, consult your local Dealer/Stockist or Installation Engineer.

Meets the requirements of:

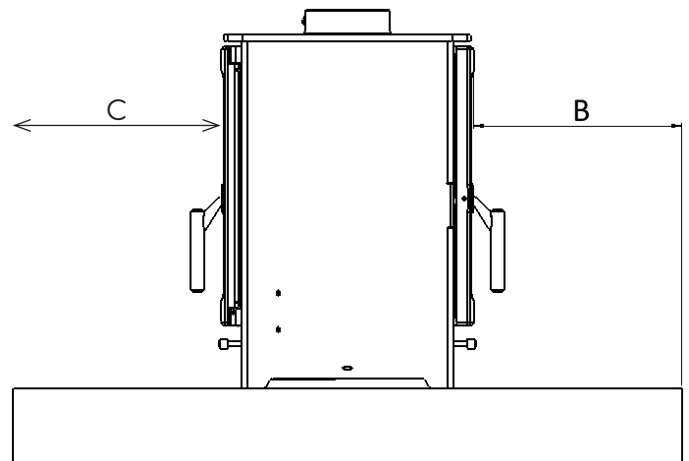
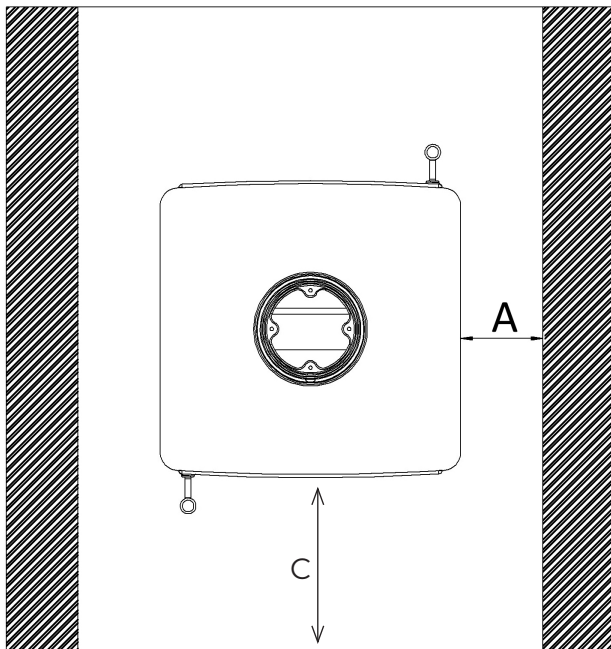
- BS EN 13240:2001 + A2:2004
- DEFRA (Smoke Control Areas UK)

GENERAL INFORMATION

Stove Model	Nominal Heat Output	Efficiency	CO (@13% O ₂)	Weight	Mean Flue Temp.	Flue Gas Mass Flow	Min. Draft
Aspect 4 Double Sided	5.0kW	76%	0.088%	88kg	292°C	5.0 g/sec	12Pa

MATERIAL CLEARANCES

Combustible Distances



Model	A (Twin-Walled Flue)	B Constructional Hearth	C Front to Furniture
Aspect 4 Double Sided	350mm	400mm	800mm

Clearance distances to combustible materials are stated to minimise the risk of fire and must be adhered to.

For further information on hearths please refer to page 2 and Building Regulations Document J.

For clearance distances for a single skin flue pipe please refer to Building Regulations Document J.

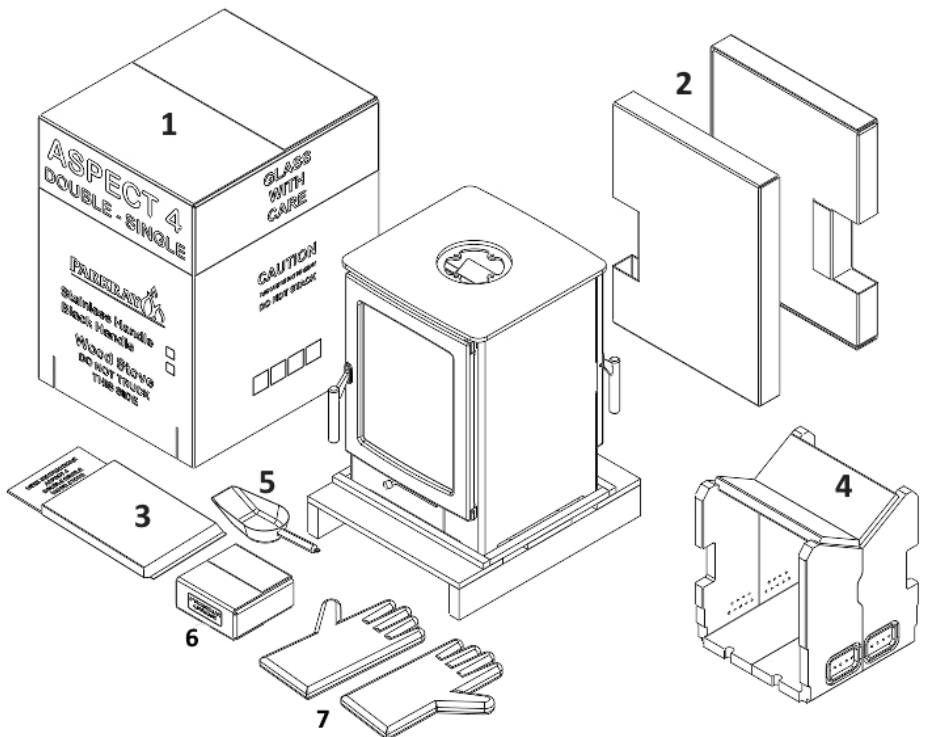
GENERAL GUIDANCE

Unpacking and Removing Internal Components

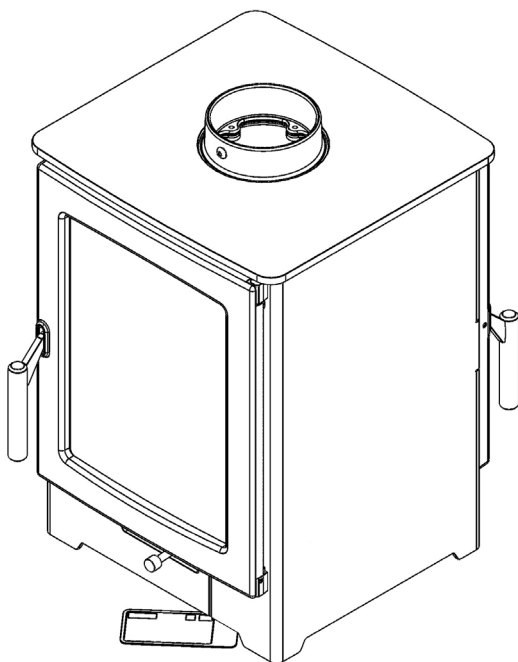
After unpacking all internal components must be removed prior to fitting the stove.

This will make handling the stove easier; allow access to fixings and the flue outlet; as well as protect the internal components from damage during the Installation process.

- 1) Box
- 2) Packaging
- 3) Instructions
- 4) Bricks & Log Guards
- 5) Shovel
- 6) Flue Collar Fixing Box
- 7) Gauntlet (pair)

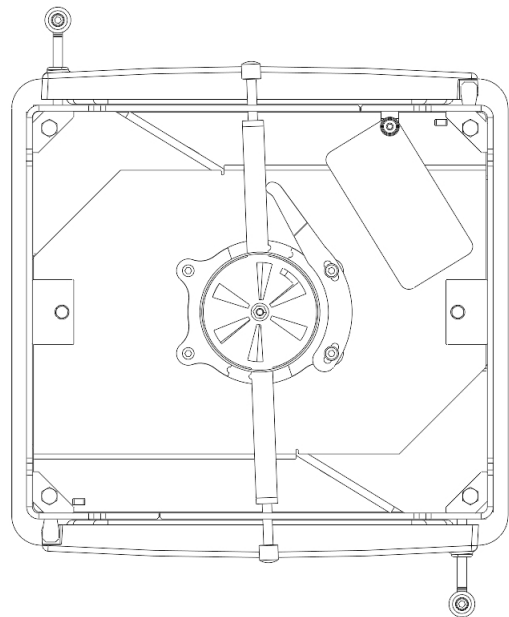


Data Plate



The Data Plate is positioned on the right hand side, under the Base Plate.

DEFRA Smoke Control Stop



Base Heat Shield removed for clarity.

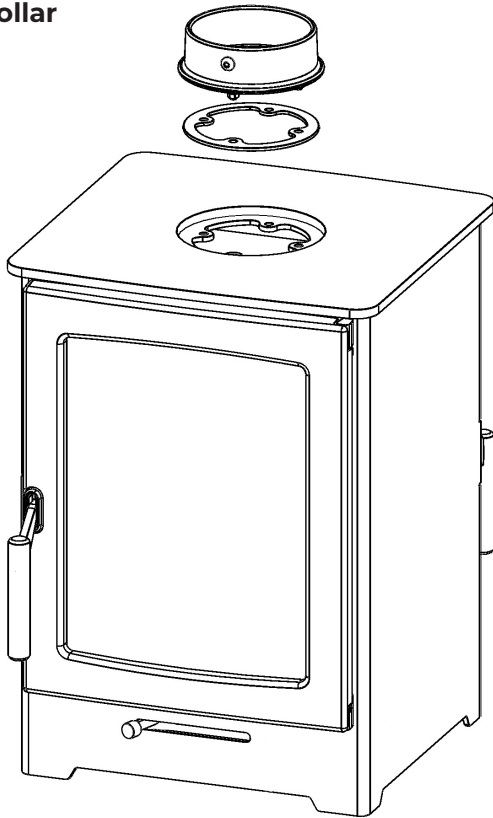
This appliance has the DEFRA Smoke Control Stop set during manufacture.

NOTE!

If you are NOT in a Smoke Control Area then the DEFRA Smoke Control Stop can be removed.

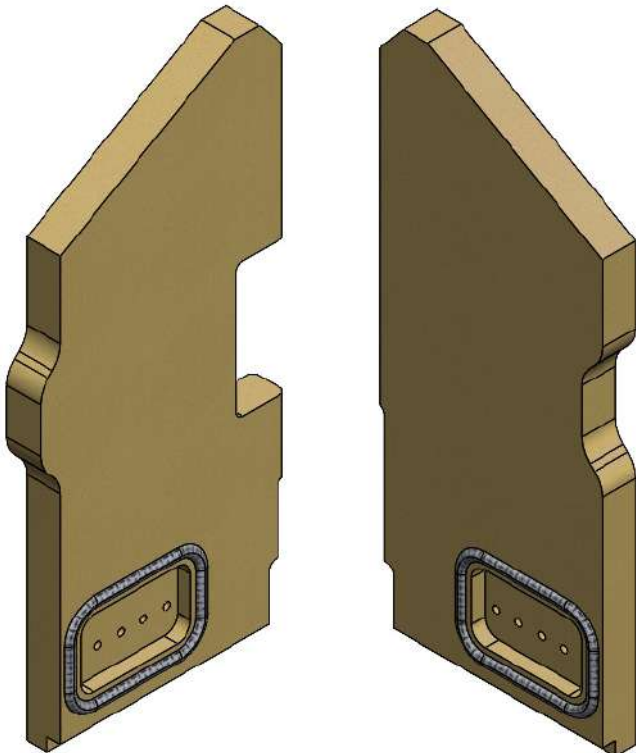
GENERAL GUIDANCE

Flue Collar



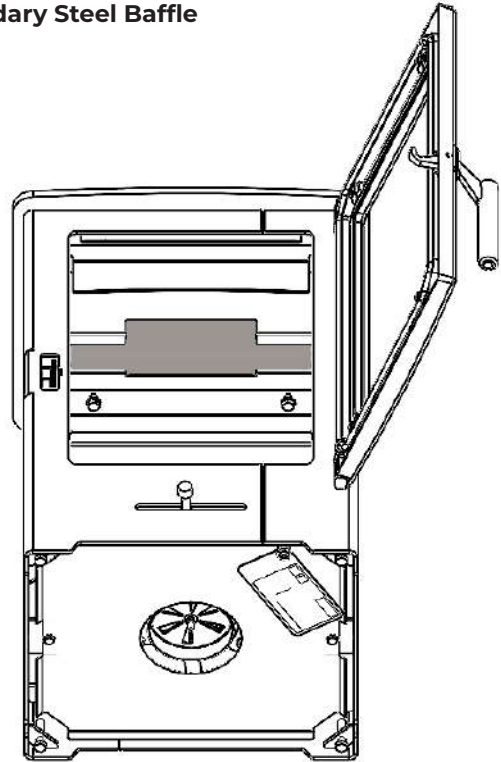
The Flue Collar and Flue Gasket are supplied separately and will need fitting during installation

Side Bricks & Sealing Ropes Assembly



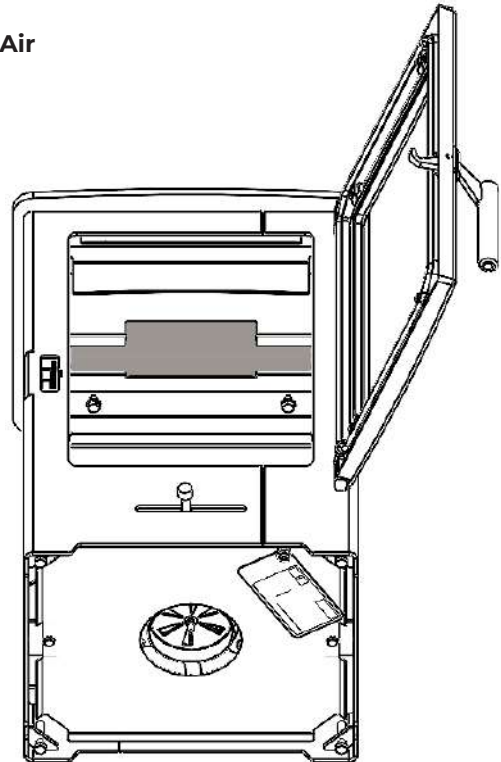
Ensure the Primary Air Sealing Rope is fitted correctly in each of the Side Bricks prior to fitting into the appliance.

Secondary Steel Baffle



The Secondary Steel Baffle fits between the 2 Top Air Deflectors. ensure it is fitted correctly prior to fitting the Vermiculite Fire Bricks

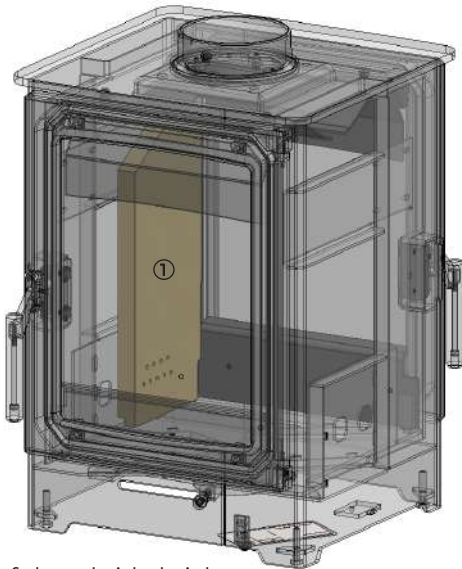
Direct Air



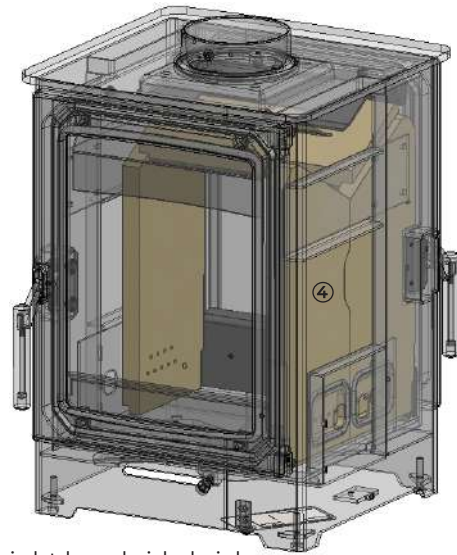
A Direct Air pipe can be connected to this appliance, at the base.
The Air Pipe will need to pass through the Hearth, to the outside.
It is essential that an outside grille is installed so that it cannot be obstructed or blocked.

Vermiculite Fire Brick Assembly

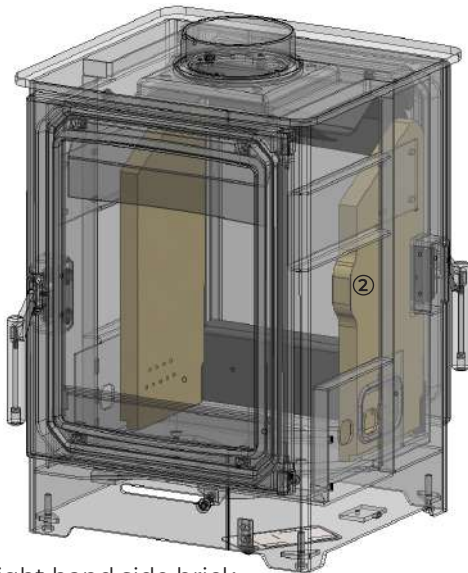
Appliance body made transparent for clarity



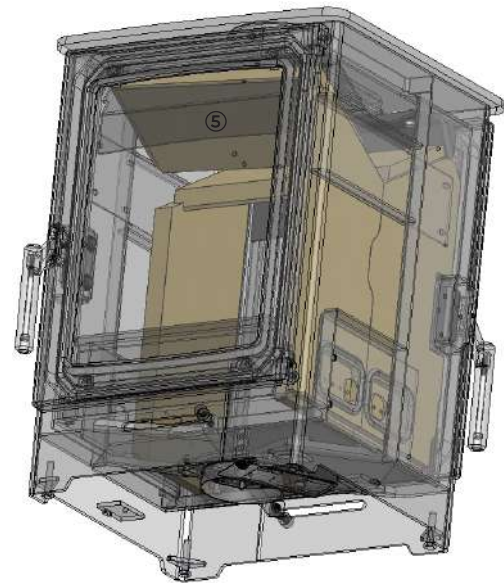
① Fit rear left hand side brick.



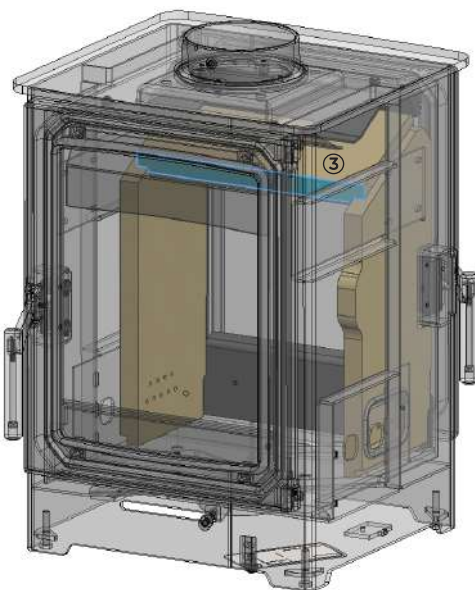
④ Fit front right hand side brick



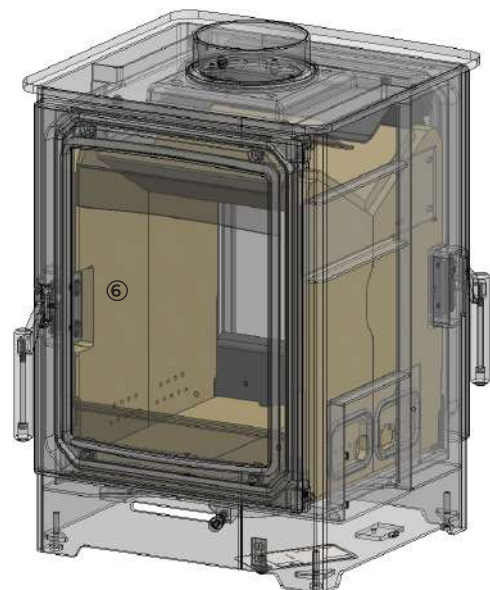
② Fit rear right hand side brick.



⑤ Fit front baffle brick and hold the left hand side high to aid the fitting of the left hand side brick



③ Fit the rear baffle brick between the 2 side bricks ensuring that it sits correctly in the baffle brick side recesses and push it forward.



⑥ Fit left hand side brick and drop baffle brick into place, ensuring the baffle brick recess fits onto the top of the side brick correctly. Finally, close the gap and center the 2 baffle bricks.



SMOKE CONTROL
AREA EXEMPT

The Clean Air Act 1993 and Smoke Control Areas

Under the Clean Air Act local authorities may declare the whole or part of the district of the authority to be a smoke control area. It is an offence to emit smoke from a chimney of a building, from a furnace or from any fixed boiler if located in a designated smoke control area. It is also an offence to acquire an “unauthorised fuel” for use within a smoke control area unless it is used in an “exempt” appliance (“exempted” from the controls which generally apply in the smoke control area).

In England appliances are exempted by publication on a list by the Secretary of State in accordance with changes made to sections 20 and 21 of the Clean Air Act 1993 by section 15 of the Deregulation Act 2015. In Scotland appliances are exempted by publication on a list by Scottish Ministers under section 50 of the Regulatory Reform (Scotland) Act 2014. Similarly, In Northern Ireland appliances are exempted by publication on a list by the Department of Agriculture, Environment and Rural Affairs under Section 16 of the Environmental Better regulation Act (Northern Ireland) 2016. In Wales appliances are exempted by regulations made by Welsh Ministers.

Further information on the requirements of the Clean Air Act can be found here:
<https://www.gov.uk/smoke-control-area-rules>

Your local authority is responsible for implementing the Clean Air Act 1993 including designation and supervision of smoke control areas and you can contact them for details of Clean Air Act requirements.

This Appliance has been recommended for use in smoke control areas when burning wood logs:

This Appliance is fitted with a permanent stop, fitted by the Hunter Stoves, during manufacture, to prevent full closure of the air controls.

In a smoke control area, the air control stop must be fitted.

If this is removed, then the stove will no longer be exempt and therefore no longer suitable for burning unauthorised fuels in a smoke control area.

The Aspect 4 Double Sided Smoke Control Stop is set @ 46% open for the Low Burn setting.
This position is 60mm from the RH end of the slot in the Body.

Refuelling On To A Low Firebed

If there is insufficient burning material in the firebed to light a new fuel charge, excessive smoke emission can occur. Refuelling must be carried out onto a sufficient quantity of glowing embers and ash that the new fuel charge will ignite in a reasonable period. If there are too few embers in the fire bed, add suitable kindling to prevent excessive smoke.

Fuel Overloading

The maximum amount of fuel specified in this manual should not be exceeded, overloading can cause excess smoke.

Operation With Door Left Open

Operation with the door open can cause excess smoke. The appliance must not be operated with the appliance door left open except as directed in the instructions.

Dampers Left Open

Operation with the air controls or appliance dampers open can cause excess smoke. The appliance must not be operated with air controls, appliance dampers or door left open except as directed in the instructions.

THE ENVIRONMENT (FRIENDLY FIRING)

To produce a more environmentally friendly way of burning your stove avoid turning it down to the point where you cannot see any visible flames. If the stove is run this way then the gases produced from the wood will not be burnt off (due to low temperatures in the chamber).

This can also cause soot to condense in the flue system and could lead to a chimney fire. The smoke that is left as it exits the chimney will also pollute the surroundings and cause an unpleasant smell.

Remember - your chimney (however good) will not perform well if the stove is not used correctly.

Health and Safety Guidance

Special care must be taken when installing the stove such that the requirements of the Health and Safety at Work Act are met.

Handling

This appliance is very heavy. Adequate facilities must be available for loading, unloading and side handling.

Fire Cement

Some types of fire cement are caustic and should not be allowed to come into contact with the skin. In case of contact, wash immediately with plenty of water.

Asbestos

This stove contains no asbestos. If there is any possibility of disturbing any asbestos in the course of installation, then please seek specialist guidance and use appropriate protective equipment.

Metal Parts

When installing or servicing this stove, care should be taken to avoid the possibility of personal injury.

Stove Performance

This is a Domestic Appliance designed for intermittent use and must only be used in accordance with these instructions.

Important Warning

This stove must not be installed into a chimney that serves any other heating appliance.

Fitting a stove in a room which also contains an extractor fan and/or cooker hood should be avoided where possible. If this is unavoidable, the suitability of the space for fitting this appliance must be decided at the discretion of a qualified installer, and a flue draught interference test must be performed.

Operating With The Doors Open

The stove is tested as a closed door appliance and as such should not be operated with the doors open (except for fuel re-loading etc.)

Periods Of Prolonged Non-Use

If the stove is to be left unused for a prolonged period, then it should be given a thorough clean to remove ash and unburned fuel residues. To enable a good flow of air through the appliance to reduce condensation and subsequent damage, leave the air controls fully open. If the appliance has been unused for a long period, such as during the spring and summer months, a competent person should check the chimney for potential obstructions before lighting the stove e.g. Have the chimney swept before the start of the heating season.

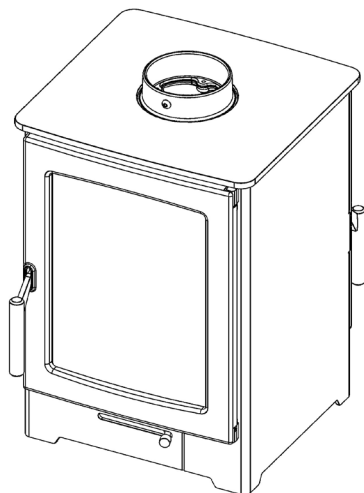
OPERATING INSTRUCTIONS

Stove Body

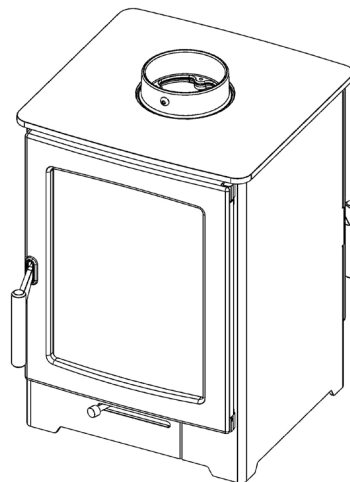
Safety Advice

The stove paint curing process takes place at room temperature and the surface coating is virtually free from fumes and odours. When being put into operation for the first time we would recommend that windows and doors are opened for a short time to provide ventilation.

Air Controls



When the air control knob is pushed fully to the Right, both the Primary and Secondary air intakes are in the closed position.

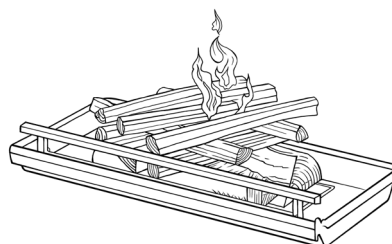
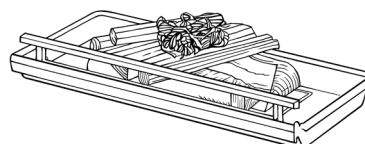


When the air control knob is pushed fully to the Left, both Primary and Secondary are fully open. This is necessary for lighting the stove.

Lighting the Stove

Hunter Stoves recommends the top down lighting method for a cleaner and more convenient start.

1. Ensure the air control is in the fully open position, and the internal grate is fully closed.
2. In the base of the stove, place 2 or 3 larger split and dry logs. Ensure a gap is left between the logs as this allows air movement to help the fire breathe when lit.
3. Place 2 smaller logs on top at 90° to the bottom logs.
4. Layer approximately six to eight pieces of kindling (finely chopped wood) on top of the logs in a crisscross pattern.
5. Place 1 or 2 eco fire lighters on top of the kindling in the centre.
6. Finally, place 2 to 4 thin pieces of kindling on top of the eco fire lighters.
7. Close the door as soon as flames appear.
8. A small amount of soot may appear on the glass during the lighting. This is perfectly normal and will go after a period of time.
9. Extra logs should not be added until the logs have burnt down into a bed of glowing embers.



Kindling:

Length - 15cm to 20cm
Diameter - 1cm to 3cm
Approximately 8-12 finely chopped pieces

Kindling is required to bridge the gap between firelighters and logs, creating the initial heat required for clean combustion. A lack of kindling may cause the fire to smoulder or potentially go out.

De-ashing:

Wood burns well on a bed of ash on top of the Base Bricks.

Use the supplied shovel to remove any excess ash that has built up over time.

Adding Wood

1. Only refuel when the fire has died down to embers. Ensure that the wood you are using has a moisture content of less than 20% (we recommend 12-15% to ensure an efficient burn).
2. When refuelling open all the air controls fully and the damper (if fitted).
3. Open the door slowly by releasing the handle and remaining in this position for 5 to 10 seconds. Opening the door too fast will cause smoke to be drawn into the room as the firebox has not had time for the pressure to equalise. In this scenario the smoke will take the easiest route, which will be out through the door opening.
4. Slowly open the door fully and break apart the remaining char, distributing it across the base of the firebox.
5. Carefully place the logs on the bed. It is recommended you use 2 to 3 pieces of wood, placed parallel with each other and the stove glass. Please do not load the wood any higher than the top of the rear vermiculite brick (~160mm) (groove lines in the side bricks denote max fill line).
6. Close the door. (All our stoves are tested as closed door appliances and should be used as such.)
7. Keep the air control in the fully open position until the logs catch fire.
8. After a few minutes, once the flames are fully established, slowly close the air control for a more efficient burn.

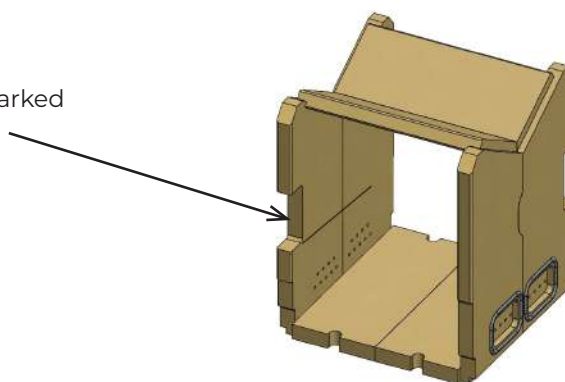
Wood Weights

For a 5kW stove, we recommend approximately 1.1-1.4kg of wood. Please note the exact amount of wood to use is dependent on the species of wood, the moisture content, and the desired burn duration.



Maximum Fill Line

Do not fill the firebox with wood above the lines marked on the Side Bricks.



IMPORTANT!

Ensure the wood has a moisture content of less than 20% (we advise 12-15% for a more efficient burn) to allow the fuel to catch quickly. If the fuel has a higher moisture content than you will be burning the moisture off and this will reduce the heat output and take longer to burn correctly. This can also cause a build up of soot and tar which could lead to a chimney fire. It will also cause the glass of the stove to blacken.

Refuelling must be carried out with a sufficient quantity of glowing embers and ash, so that the new fuel charge can ignite quickly. If there are too few embers, add some kindling to prevent excessive smoke. After refuelling, leave the air control fully open for one minute before reducing to the desired setting.

Guide to Wood

Hardwood is a denser fuel than softwood and provides a higher heat content. Softwood produces 50% less heat content than hardwood. Softwoods are more prone to spitting and popping as they have pockets of moisture and sap contained within them (this can be reduced by seasoning and drying correctly).

Woods suitable for closed appliances - Ash, Beech, Birch, Blackthorn, Elm, Eucalyptus, Hawthorn, Hazel, Hornbeam, Maple, Oak, Rowan, Sycamore, Wild Cherry, Willow, Alder, Apple, Pear and Holly. (Oak, beech and birch burn at the highest rate when seasoned correctly).

These woods are also suitable but can crackle and spit - Cedar, Douglas Fir, Horse Chestnut, Larch, Plane, Sweet Chestnut and Willow.

WARNING!

Burning wet or unseasoned wood will create excess smoke emissions, tar deposits in the stove and chimney, and will not produce a satisfactory heat output.

DO NOT BURN BITUMINOUS COAL, PETRO-COKE, OTHER PETROLEUM BASED FUELS OR TREATED WOOD SUCH AS PALLETS. THIS WILL INVALIDATE THE PRODUCT WARRANTY. HOUSEHOLD WASTE MUST NOT BE BURNT ON THIS APPLIANCE.

OVER-FIRING

Using an excess amount of wood and/or leaving the air intake open can cause the stove to over-fire. This can cause damage to both the stove and the surrounding walls.

MAINTENANCE AND SERVICING

Periods Of Prolonged Non-Use

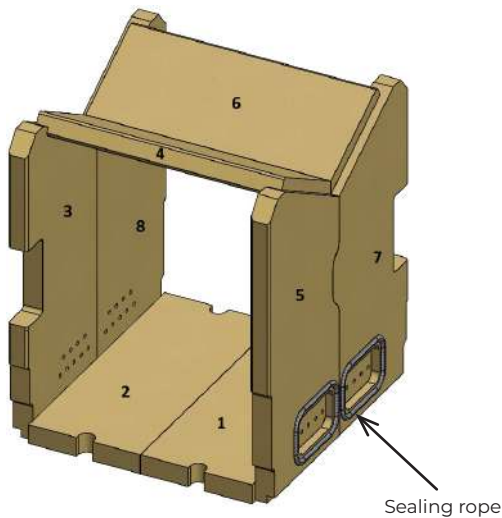
If the stove is to be left unused for a prolonged period, then it should be given a thorough clean to remove ash and unburned fuel residues. To enable a good flow of air through the appliance to reduce condensation and subsequent damage, leave the air controls fully open. If the appliance has been unused for a long period, such as during the spring and summer months, a competent person should check the chimney for potential obstructions before lighting the stove e.g. have the chimney swept before the start of the heating season.

Baffle Brick

The baffle is located in the upper part of the stove and this should be removed and cleaned on a regular basis. This prevents any build-up of soot or fly ash that could lead to blocked flue ways and dangerous fume emission. If the baffle is removed the chimney/flue way can be swept through the appliance.

Firebricks

In normal use, these can last for many years. It is possible however, for the bricks to crack, especially if logs are continually jammed against them or if they are frequently struck with a poker. Check periodically for seriously cracked bricks, which can be replaced with new, available from your dealer or our spares website www.hunterstoves.co.uk/spares.



To remove the bricks:

Remove Base Bricks (1&2), Lift using the cutouts at either end of the Bricks

Lift up the LH side of the Baffle Brick (4) to enable the removal of the Side Brick (3).

This will allow you to drop the Baffle Brick (4).

Lift out Side Brick (5).

Slide out Baffle Brick (6)

This will allow you to remove the last 2 Side Bricks (7&8).

To replace the bricks work in reverse order as above. Ensure the Sealing Ropes are correctly fitted into the Side Bricks prior to re-assembly.

Glass Panel (see diagram below)

Printed glass should not be cleaned using cleaners high in alkaline or acidic content. Clean the glass panel when cool with a propriety glass cleaner by applying the cleaner to a cloth. Do not apply directly to the glass as this could cause runs which could soak into the rope seals around the edge of the glass.

Highly abrasive substances should be avoided as these can scratch the glass and make subsequent cleaning more difficult. Wet logs on heated glass, a badly aimed poker or heavy slamming of the doors could crack the glass panels. The glass will not fracture from heat.

Should you need to replace a glass panel please ensure you purchase a new Gasket Tape at the same time. Please check periodically that the glass clips and screws have not become loose. They should only be finger tight to allow for the expansion and contraction of the glass.

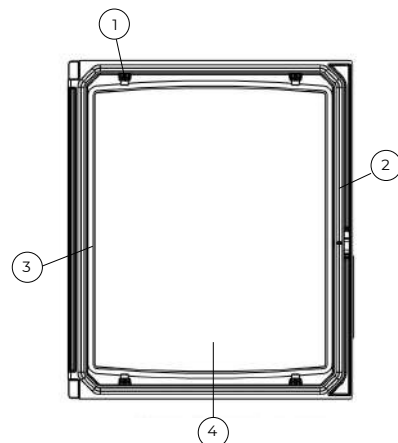
Rope

Check the rope (2) around the door. If rope is becoming detached, use rope glue to reattach it. If the rope is in poor condition, a replacement rope kit may be ordered from Hunter Stoves spares range.

Gasket Tape

The glass gasket tape (3) will have to be replaced when a new piece of glass (4) is fitted, as the self-adhesive tape is stuck onto the glass.

Over time you may also find that the gasket tape changes colour. This is due to a reduction in the pigment used in the manufacture of the product and no cause for concern.



Stove Body

The stove is finished with a heat resistant paint and this can be cleaned with a dry microfibre cloth or dry soft brush. Do not clean whilst the stove is hot. At no point should any water based, or other cleaning products be used on the stove. The finish can be renovated with Hunter Stoves paint, available through our spares website: www.hunterstoves.co.uk/spares.

Chimney and Flue Ways

It is important that the chimney, flue ways and any connecting flue pipe are swept regularly.

This should only be carried out by an experienced chimney sweep with a trusted trade rating.

This means at least once a year for smokeless fuels and at least twice a year for wood and other fuels.

The brick baffle will need to be removed from the stove in order to sweep the chimney.

If it is not possible to sweep all parts of the chimney through the appliance, ensure there is adequate access to cleaning doors.

If the stove is fitted in place of an open fire, then the chimney should be swept one month after installation to clear any soot falls which may have occurred due to the difference in combustion between the stove and the open fire.

Annual Service

Hunter Stoves Group recommend that this appliance be serviced annually, preferably prior to the start of the heating season, thus avoiding any delay in receiving replacement components, should you need them. Hunter Stoves recommend that you contact the installation engineer for advice, servicing and sweeping. The general process is as follows:

Remove all the internal components: Log retainer, bricks, ignition air bar & baffle brick. Clean them with a soft brush carefully and inspect them for damage.

Sweep the chimney/flue system if necessary.

Clean down the internal surfaces of the appliance using a scraper or wire brush. Inspect these surfaces for damage/corrosion. If corrosion or damage is found, we advise that you consult with your installer about rectification/repair.

Brush out or vacuum the inside of the appliance and re-fit the internal components.

Inspect the glass and glass fibretape. Clean the glass with a non-abrasive cleaner if required. If the glass fibretape is torn or damaged, we recommend that it is replaced to ensure that no products of combustion enters the room when the appliance is used.

Painted Finish – The finish can be renovated with Hunter Stoves paint, available through the spares section of the website

All spare parts can be purchased through our website www.hunterstoves.co.uk/spares

IMPORTANT INFORMATION

IMPORTANT NOTES

General

Before lighting the stove check with the installer that the installation work and commissioning checks described above have been carried out correctly and that the chimney has been swept clean, is sound and free from any obstructions. As part of the stoves' commissioning and handover, the installer should have shown you how to operate the stove correctly.

Recommended Fuels

Hunter Stoves Group recommend that only wood logs with a moisture content of less than 20% should be burnt on this appliance.

Burning wet or unseasoned wood will create excess smoke emissions, tar deposits in the stove and chimney and will not produce a satisfactory heat output.

WARNING - DO NOT BURN BITUMINOUS COAL, PETRO-COKE, OTHER PETROLEUM BASED FUELS OR TREATED WOOD SUCH AS PALLETS AS THIS WILL INVALIDATE THE PRODUCT WARRANTY. HOUSEHOLD WASTE MUST NOT BE BURNT ON THIS APPLIANCE.

Carbon Monoxide (CO) Alarms

Hunter Stoves recommend a carbon monoxide (CO) alarm that conforms to BS EN 50291 be installed in the same room as the appliance. See BS EN 50292 and the alarm manufacturer's instructions for installation guidance. The use of such an alarm is not considered a substitute for regular maintenance or servicing of the appliance and flue system.

Air Controls

See how to use Air Controls on page 10.

Fireguards

Always use a fireguard in the presence of children, the elderly or the infirm. The fireguard should be manufactured in accordance with BS 8423 – Fireguards for use with solid fuel appliances.

Extractor Fan

Fitting a stove in a room which also contains an extractor fan and/or cooker hood should be avoided where possible. If this is unavoidable, the suitability of the space for fitting this appliance must be decided at the discretion of a qualified installer, and a flue draught interference test must be performed.

Aerosols

Do not use an aerosol spray on or near the stove when it is alight.

Operating The Stove

Warning! – This Appliance will be hot when in operation and due care should be taken.

We advise that suitable gloves, or the operating tool is used when operating the air control, and when opening the door.

Ventilation

It is essential that the stove has an adequate air supply for combustion and ventilation. Requirements can be found by checking Building Regulations Approved Document J.

Do not obstruct the ventilation required for the safe use of this appliance.

In The Event Of A Chimney Fire

- Raise the alarm
 - Call the Fire Brigade
 - Close appliance air controls
 - Move furniture, ornaments etc. away
 - Place a fireguard in front of stove
 - Check the chimney breast for signs of excessive heat.
- If the wall is becoming excessively hot, move furniture away further.

Ensure the Fire Brigade can gain access to your roof space in order to check for fire spread.

WARNING NOTE

Properly installed and operated, this appliance will not emit fumes. Occasional fumes from de-ashing and refuelling may occur. Persistent fume emission must not be tolerated. This appliance should not be operated with the door open.

If fume emission persists, then the following immediate actions should be taken:

- **Open doors and windows to ventilate the room**
- **Let the fire go out or safely remove and dispose of fuel from the appliance**
- **Check for flue/chimney blockages and clean if required**
- **Do not attempt to re-light the fire until the cause of the fume emission has been identified and corrected**

If necessary, seek expert advice.

TROUBLESHOOTING

Smoke

This can happen for a variety of reasons e.g cold air trapped in chimney/flue. As cold air is denser, this causes smoke to be forced back down the chimney. We recommend trying to heat the chimney before lighting, for example, placing a firelighter on top of the kindling. Ensure wood has a moisture content of less than 20% as this can cause excess smoke. Also check the type of wood as softwood produces a lot more smoke than hardwood.

Glass

If your glass is blackening this can be due to incorrect use of air controls (see instructions). Alternatively, poor quality fuel which has a high moisture content can also be a cause. When the glass has a white shadow(or crazing) on the inside then this can be caused due to over-firing, too much primary air or a vacuum in the room.

Operation Of Fire

There are varying reasons for problems with your stove however, this could be due to a low or high flue draught in which case you need to speak to your installer/Correct use of the air controls (please refer to instructions)/ Quality and moisture content of fuel/chimney blockings or that nearby buildings or trees may be affecting the wind around the chimney.

Appliance Body

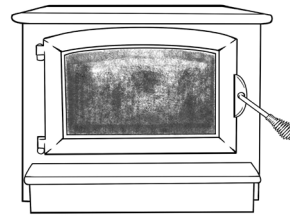
Paint Curing

The stove paint curing process takes place at room temperature and the surface coating is virtually free from fumes and odours. When being put into operation for the first time we would recommend that windows and doors are opened for a short period to provide ventilation.

If the surface of the appliance turns grey or the paint starts to flake or peel then this is caused by over-firing.

Noise

When the appliance body heats up and cools down it may make some clicking noises. This is due to the large temperature differences and is not a problem with the appliance.



Weather Conditions

Varying weather can have an impact on the way the stove burns, especially the wind. An anti-down draught cowl might need to be fitted (speak to a specialist) or a flue damper may also be of help.

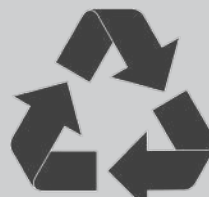
Mist and fog may also have an impact on the chimney draught and you will need to change the settings you are using on the stove.

Fire Goes Out After A Short Time

- Check the flue draught of the stove is not too strong or too low.
- Is the air vent blocked?
- Check use of air controls (please refer to these instructions).
- Ensure that the amount of kindling used is enough to light the added fuel.
- Try heating the flue/chimney up first to ensure air pressure is not allowing the flue to operate correctly.

PACKAGING

All our packaging both for our stoves and spares is recyclable. For information detailing where it can be disposed check with your local council.



If any further help is needed then please refer to the Help section on our website

PRODUCT FICHE - UK

In accordance with Regulation (EU) 2015/1186
The information below is valid in the UK in conjunction with the UKCA mark only.

Model	Energy Efficiency Class	Direct Heat Output, [x.x] kW	Indirect Heat Output, [x.x] kW	Energy Efficiency Index, [x]	Useful Energy Efficiency at Nominal Heat Output, [x] %
Aspect 4 Double Sided	A	5.0	N/A	100	76
Safety Precautions	Local space heater must be assembled, installed and maintained in accordance with manufacturers instructions.				

Manufacturer Details:

Name: Hunter Stoves Ltd.
Address: Trevilla Park, Slaughterbridge, Camelford, Cornwall, England, PL32 9TT
Email: info@hunterstoves.co.uk
Website: www.hunterstoves.co.uk

TECHNICAL PARAMETERS - UK

Technical Parameters for Solid Fuel Local Space Heaters

according to Regulation (EU) 2015/1185

The table below is valid in the UK in conjunction with the UKCA mark only.

Product Range: Aspect 4 Double Single
Indirect heating functionality: No
Preferred Fuel: Wood logs with moisture content < 20%



Model	Test Report Reference	Nominal Heat Output, P_{nom} [x.x] kW	Useful Efficiency, $\eta_{th, nom}$ [x] %	Seasonal Efficiency, η_s [x] %	Space heating emissions at nominal heat output			
					PM	OGC	CO	NO _x
					[x] mg/Nm ³ (at 13 % O ₂)			
Aspect 4 Double Sided	300-ELAB-2703-EN	5.0	76	66	23	87	1102	89

Results are in accordance with EN 13240:2001 + A2:2004 section A.4.7, and EN 16510-1:2018 section A.4.7. Emission of NO_x and OGC was determined in accordance with DS/CEN/TS 15883:2009. Emission of PM was determined in accordance with EN 16510-1:2018.

Characteristics when operating with preferred fuel only:

Item	Symbol	Value	Unit
Auxiliary Electricity Consumption			
At nominal heat output	$e_{l_{max}}$	N/A	[x.xxx] kW
At minimum heat output	$e_{l_{min}}$	N/A	[x.xxx] kW
In standby mode	$e_{l_{SB}}$	N/A	[x.xxx] kW
Permanent Pilot Flame Power Requirement			
Pilot flame power requirement (if applicable)	P_{pilot}	N/A	[x.xxx] kW
Type of heat output/room temperature control:	Single stage heat output, no room temperature control		
Other control option(s):	N/A		

Manufacturer Details:

Name: Hunter Stoves Ltd.
Address: Trevilla Park, Slaughterbridge, Camelford, Cornwall, England, PL32 9TT
Email: info@hunterstoves.co.uk
Website: www.hunterstoves.co.uk

PRODUCT FICHE - EU

In accordance with Regulation (EU) 2015/1186
The information below is valid in the EU in conjunction with the CE mark only.

Model	Energy Efficiency Class	Direct Heat Output, [x,x] kW	Indirect Heat Output, [x.x] kW	Energy Efficiency Index, [x]	Useful Energy Efficiency at Nominal Heat Output, [x] %
Aspect 4 Double Sided	A	5.0	N/A	100	76
Safety Precautions	Local space heater must be assembled, installed and maintained in accordance with manufacturers instructions.				

Manufacturer Details:

Name: Hunter Stoves Ltd.
Address: Trevilla Park, Slaughterbridge, Camelford, Cornwall, England, PL32 9TT
Email: info@hunterstoves.co.uk
Website: www.hunterstoves.co.uk

TECHNICAL PARAMETERS - EU

Technical Parameters for Solid Fuel Local Space Heaters

according to Regulation (EU) 2015/1185

The table below is valid in the EU in conjunction with the CE mark only.

Product Range: Aspect Double Single
Indirect heating functionality: No
Preferred Fuel: Wood logs with moisture content < 20%



Model	Test Report Reference	Nominal Heat Output, P_{nom} [x,x] kW	Useful Efficiency, $\eta_{th, nom}$ [x] %	Seasonal Efficiency, η_s [x] %	Space heating emissions at nominal heat output			
					PM	OGC	CO	NO _x
					[x] mg/Nm ³ (at 13 % O ₂)			
Aspect 4 Double Sided	300-ELAB-2703-EN	5.0	76	66	23	87	1102	89

Results are in accordance with EN 13240:2001 + A2:2004 section A.4.7, and EN 16510-1:2018 section A.4.7. Emission of NO_x and OGC was determined in accordance with DS/CEN/TS 15883:2009. Emission of PM was determined in accordance with EN 16510-1:2018.

Characteristics when operating with preferred fuel only:

Item	Symbol	Value	Unit
Auxiliary Electricity Consumption			
At nominal heat output	$e_{l_{max}}$	N/A	[x,xxx] kW
At minimum heat output	$e_{l_{min}}$	N/A	[x,xxx] kW
In standby mode	$e_{l_{SB}}$	N/A	[x,xxx] kW
Permanent Pilot Flame Power Requirement			
Pilot flame power requirement (if applicable)	P_{pilot}	N/A	[x,xxx] kW
Type of heat output/room temperature control:	Single stage heat output, no room temperature control		
Other control option(s):	N/A		

Manufacturer Details:

Name: Hunter Stoves Ltd.
Address: Trevilla Park, Slaughterbridge, Camelford, Cornwall, England, PL32 9TT
Email: info@hunterstoves.co.uk
Website: www.hunterstoves.co.uk

WARRANTY

Hunter Stoves Group Ltd Extended 5 and 10 year Warranty

2 Year Standard Warranty

Any appliance bought through the showroom of an authorised Hunter Stoves Group retailer will automatically be covered by our standard 2-year conditional warranty.

However, this standard 2-year warranty can be extended to a 5-year or 10-year conditional warranty dependent on the model type (5 years - Boiler model and Gas models, 10 year - Room heater).

To qualify for this extended warranty option, you need to:

1. Register your purchase online at <https://www.hunterstoves.co.uk/ProductRegistration>
2. Retain your proof of purchase.

Warranty Conditions

For the Standard 2 year or extended 5/10-year warranty to be valid and to remain in force throughout the warranty period the following must have been carried out:

1. The appliance must have been installed by an appropriately qualified engineer (from the Competent Person Scheme/Gas Safe) in accordance with the manufacturer's instructions and in compliance of any relevant national or local building regulations. Please visit the following links for details on the Competent Person Scheme: <https://www.gov.uk/guidance/competent-person-scheme-current-schemes-and-how-schemes-are-authorized> and Gas Safe register: <https://www.gassaferegister.co.uk/>
2. The appliance will need to be registered within two months of purchase and the commissioning and installation documentation completed (these need to be kept by the end user).
3. The appliance must be serviced within 12 months of the installation date for the second year of the standard warranty to be valid, and within every 12-month anniversary thereafter to maintain the validity and coverage of any extended warranty. For this purpose, the installation and user instructions, supplied with the appliance, makes a provision for receipts and annual services to be recorded. This is needed in the event of a claim during the warranty period.
4. Only genuine Hunter Stoves spare parts or consumables can be used in the servicing and maintenance of the appliance during any standard or extended warranty period. These can be sourced from your authorised supplier directly or through our website spares portal. www.hunterstoves.co.uk/spares.
5. Any problems or issues giving rise to any claim under the standard or extended warranty must be submitted to the authorised Hunter Stoves Group retailer from whom you originally purchased the appliance. Hunter Stoves Group will then offer appropriate support and help through your original authorised supplier to solve any issues.
6. The standard or extended warranty option is not transferable. It is solely for the benefit of the original purchaser of the appliance. For this purpose, please retain the proof of purchase.
7. Any unauthorised modification of this appliance will void all warranties.

Warranty Exclusions

For Solid Fuel Stoves:

- Glass and rope/ceramic seals
- Fire bricks
- Baffles/Throat Plates
- Log retainers, grate supports and catch bars
- Grate parts
- Ashpans
- Clip-in Boilers

For Gas Stoves:

- Gas pilot assemblies
- Thermocouples and Oxy pilots
- Ceramic log and coal 'fuel-effects'
- Batteries

Paint and Surface Coverings

The paint or surface covering of the appliance will be covered (for 1 years after installation) provided the warranty conditions are met. However, damage due to the following events will not be covered:

1. Damage to the paint surface caused by the appliance being stored in a damp and cold environment is not covered under warranty. Please be aware that any moisture within the room where the stove is installed e.g. through clothes drying, can be a cause of paint issues.
2. In the course of the initial firings of the appliance, the paint or enamel surface may change colour. This is normal and as such is therefore not covered under warranty.
3. Damaged caused by over firing, resulting in cracking, bubbling or discolouration to the paint or enamelled surface finish is not covered under warranty.

Warranty Limitations

1. Damage to the appliance due to specific local conditions caused by draft or chimney defects.
2. Damage resulting from installation and use where installation is not in accordance with the manufacturer's instructions or local building and/or safety regulations.
3. Damage or premature wear caused by burning inappropriate fuels such as Bituminous coal, "Petro-Coke" or any other Petroleum based coals. Please visit the HETAS website, www.hetas.co.uk, for a full list of approved fuels which are covered by the warranty. Fuels outside of this list are not covered by the warranty.
4. Damage caused by burning material with high creosote content or any other painted/treated timber.
5. Consequential loss to associated non-Hunter Stoves Group products is not covered under the warranty.
6. Consequential loss relating to decorations, soft furnishings or other household assets is not covered under the warranty.
7. Cost associated with the removal and re-installation of an appliance subject to a warranty claim.

Hunter Stoves Group total liability will only extend to the total purchase price paid for the goods in any warranty claim. Hunter Stoves Group reserve the right to replace, repair or refund to value of goods purchased.

ANY HUNTERS STOVES GROUP PRODUCT PURCHASED VIA AN INTERNET SUPPLIER, OR THROUGH AN UNAUTHORISED STOCKIST WILL ONLY BE SUPPORTED BY THE STATUTORY, 12 MONTH GUARANTEE AND WILL NOT QUALIFY FOR ANY EXTENDED 5 OR 10 YEAR WARRANTY.

The Hunter Stoves Group extended warranty option does not affect your statutory rights.

This revised standard or extended 5 or 10-year warranty option comes into effect on 1st September 2015 and will apply to all appliances sold from that date.

This standard/extended warranty applies to purchases of Hunter Stoves within the United Kingdom and the Republic of Ireland. Purchases in all other countries are subject to the warranty conditions specified by the distributor in those markets.



Hunter Stoves Ltd, 8 Emperor Way, Exeter Business Park, Exeter, Devon, EX1 3QS

www.hunterstoves.co.uk Email: info@hunterstoves.co.uk

Service Records

1st SERVICE Date of service..... Date of next service..... HETAS Number..... Signature.....	2nd SERVICE Date of service..... Date of next service..... HETAS Number..... Signature.....
--	--

3rd SERVICE Date of service..... Date of next service..... HETAS Number..... Signature.....	4th SERVICE Date of service..... Date of next service..... HETAS Number..... Signature.....
--	--

5th SERVICE Date of service..... Date of next service..... HETAS Number..... Signature.....	6th SERVICE Date of service..... Date of next service..... HETAS Number..... Signature.....
--	--

7th SERVICE Date of service..... Date of next service..... HETAS Number..... Signature.....	8th SERVICE Date of service..... Date of next service..... HETAS Number..... Signature.....
--	--

9th SERVICE Date of service..... Date of next service..... HETAS Number..... Signature.....	10th SERVICE Date of service..... Date of next service..... HETAS Number..... Signature.....
--	---

11th SERVICE Date of service..... Date of next service..... HETAS Number..... Signature.....	12th SERVICE Date of service..... Date of next service..... HETAS Number..... Signature.....
---	---



hunterstoves
GROUP

8 EMPEROR WAY EXETER DEVON EX1 3QS
INFO@HUNTERSTOVES.CO.UK WWW.HUNTERSTOVES.CO.UK

Hunter Stoves reserve the right to change dimensions and procedures described in these instructions at anytime without special notice.

Registered address: Hunter Stoves Ltd., Trevilla Park, Slaughterbridge, Camelford, Cornwall, UK, PL32 9TT