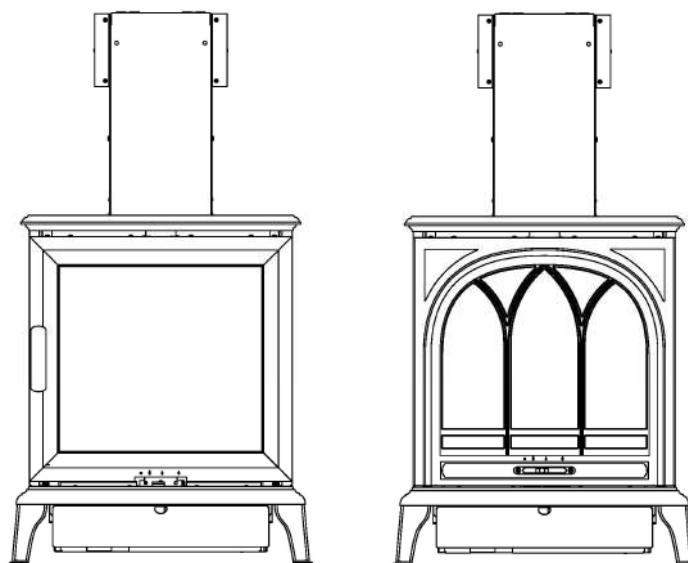




RAVEL 400C & 400T ROOM SEALED BALANCED FLUE GAS FIRE



USER INSTRUCTIONS INSTALLATION INSTRUCTIONS SERVICE INSTRUCTIONS

Do not use this appliance if the front glass panel is broken, removed or fitted incorrectly.

It is a regulation that these instructions be handed to the customer after installation is complete. It is also the responsibility of the installation engineer to ensure that the customer is able to fully operate the appliance and is aware of any cleaning or maintenance requirements.

Model number: F-181XX2/F-181XY2 SLIDE for use on Natural Gas (G20) at a supply pressure of 20 mbar in GB /IE

(XX denotes trim/door type)



THIS INSTRUCTION MANUAL MUST BE LEFT WITH THE CUSTOMER AFTER INSTALLATION

USER INSTRUCTIONS	1.0	Appliance Commissioning Check List	3
	2.0	User Instructions—Important Information & Warnings	4
	2.1	User Instructions—Controls & Operation	5
	2.2	User Instructions—General Maintenance	6
	2.3	Log Layout Instructions	8
INSTALLATION INSTRUCTIONS	2.4	Running In And Troubleshooting.....	13
	3.0	Unpacking the Appliance	14
	3.1	Regulatory Information	15
	3.2	Efficiency and Appliance Technical Information	15
	3.3	Installation Requirements	15
	3.4.1	Siting Requirements	16
	3.4.2	Hearth Requirements	16
	3.4.3	Gas Supply	16
	3.4.4	Appliance Dimensions	16
	3.4.5	Regulatory Requirements for Flue Terminal Location	17
SERVICING INSTRUCTIONS	3.4.6	Siting the Appliance and Preparing The Opening	18
	3.4.7	Fitting the Terminal & Terminal Guard	23
	4.1	Appliance Data Information	25
	4.2	Log Layout Instructions	26
	4.3	Lighting the Fire	31
	4.4	Complete the Installation	32
	5.0	Servicing the Appliance	33
	5.1	Removal of the Lower Access Door	33
	5.2	Removal/Replacement of the Side Glass Panels	35
	5.3	Removal/Replacement of the Side Ceramic Plates	35
	5.4	Removal/Replacement of the Rear Glass Panel	36
5.5	Removal/Replacement of the Rear Ceramic Plates	36	
5.6	Removal of the Burner Tray	37	
5.7	Removal of the Pilot	38	
5.8	Remove of Slide Gas Valve	40	
5.9	Removal of Tee Valve	41	
5.10	Remove of Spark Generator	42	
5.11	Removal of Injectors	43	
6.0	Record of Annual Services	45	
7.0	Product Fiche	46	
8.0	Manufacturers Instructions and User Replaceable Spares	47	

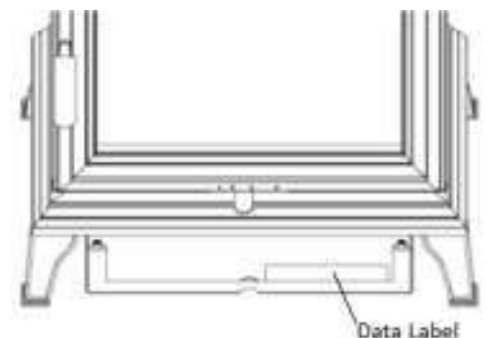
APPLIANCE COMMISSIONING CHECKLIST

It is the installers responsibility to complete the following checklist when commissioning this appliance. The information recorded on this page may be requested at the time of any warranty call made. If the information is not made available it may affect the warranty support for the customers appliance.

CHECK LISTS	PASS	FAIL
Check flue is suitable for this appliance		
Check flue flow prior to installation		
Check spillage after installation		
Check standing gas pressure		mbar
Check working pressure on full rate (Min. 18.5) Ensure all other gas appliances are running on full rate		mbar
Complete relevant section of warranty forms , ensure it is complete with Gas Safe registration details.		
Instruct the customer on lighting, maintenance and servicing procedures. (Including glass removal and ceramic placement)		

Appliance Serial Number	
Installation Date	
Gas Engineer Name	
Gas Safe Engineer Registration No.	
Gas Safe Engineer contact No.	

DATA PLATE LOCATION



If you can smell gas, immediately turn off the gas supply using the control valve at the meter in your home. Do not smoke and turn off all sources of ignition, i.e. boilers or gas hobs. Open windows and doors to ventilate the room or building.

Call the Gas Emergency Service 0800 111 999 (England Scotland and Wales)
0800 002 002 (N. Ireland)

Welcome

2.0 Congratulations on the purchase of your new Wildfire Ravel 400 balanced flue gas stove. Ensure you keep these instructions in a safe place as they will be required for installation, service and general upkeep of your appliance.

These instructions should be followed precisely to ensure that you receive many years of trouble free service from your appliance.

Some general maintenance is required by the user to keep the appliance in its best condition, these are detailed later in this instructions manual.

Warnings

Do not place soft wall coverings (i.e. embossed papers etc,) furniture or other combustible items too close to the fires as they may discolour or scorch.

Do not place or throw rubbish or otherwise on the fuel-bed.

Do not place any combustible materials or flooring (i.e. carpets etc,) on any part of the hearth.

Many parts of this appliance and some surrounding areas will be come hot during use.

This appliance has a naked flame and as with all heating appliances a fireguard should be used for the protection of children, the elderly and infirm. The fireguard should conform to BS8423 : 2002 (Fireguards or use with Gas Heating Appliances).

It is quite normal for a flame effect gas appliance to experience a small amount of soot or staining to some parts of the fuel effect components. If this becomes excessive it may be because the fuel bed is not fitted correctly — this should be checked according to these installation instructions prior to contacting a service engineer.

NEVER place any rubbish or otherwise onto the fire—this will affect the way the product operates and may affect the warranty of the product.

NEVER place more ceramic components onto the fuel bed than specified in the instructions.

NEVER touch the ceramics when the appliance has recently been switched off—these components retain heat and may cause burns. Leave the appliance to sufficiently cool prior to any contact of the ceramics.

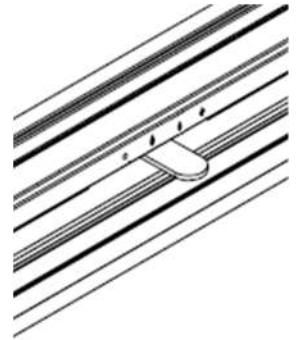
Ventilation

No purpose made ventilation is normally required for this appliance when installed in G.B. Ventilation areas (if applicable) should be checked periodically to ensure there is no obstruction, even though none is normally required for this appliance.

Controls

2.1 This appliance has a slide control lever. It is positioned in the space between door and the stove base plate.

The lever will slide from right to left, this movement controls all functionality of the appliance, from ignition, flame control and turning the appliance off.



Lighting

Slide the control knob to the right to the ignition symbol. After a few seconds the pilot light should light.



If the pilot light does not light, release the control knob and wait for 3 minutes before reattempting. If the pilot does not light after 3 attempts, check the battery—see page 6. If the battery is new and the pilot still fails to light, contact a gas safe engineer.



Once the pilot is lit, keep the lever pushed to the right for up to 10 seconds then release. The pilot should stay lit and the central and front log burners will now light.

The appliance is now running at the LOW setting.



Slide the knob slowly to the left to turn the rear log burners on. The appliance is now running at the HIGH setting.



To turn the fire off, slide the lever all the way to the left to the OFF symbol.



Should the spark generator fail to provide a spark at the electrode it may be that a small amount of soot has fallen from the fuel bed onto the pilot assembly, causing a short circuit. If this is the case, ensuring the appliance is off and cold, this area can be cleaned with the thin nozzle from a vacuum cleaner. See page 6 for details on glass removal to access this area.

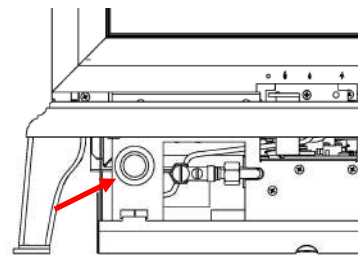
Alternatively check the battery is in good condition—see page 6 for details.

USER INSTRUCTIONS

BATTERY

2.2 This gas appliance uses a single AA type battery which supplies the power for the spark generator used during the ignition process. The battery box which houses this battery is located beneath the appliance behind the drop down access hatch.

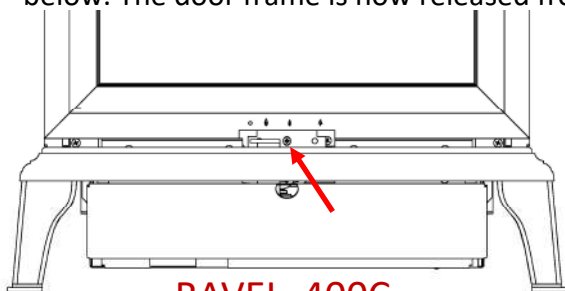
Remove the black battery cap to access the battery compartment as shown in the diagram. Replace the battery ensuring correct polarity.



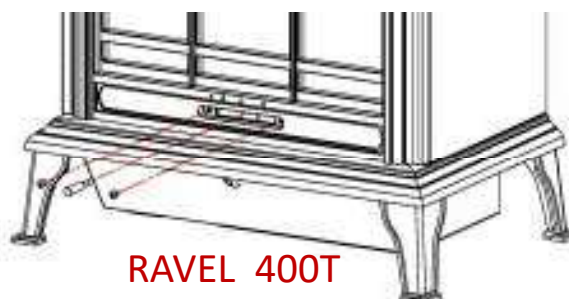
GLASS DOOR

The glass door can be removed for cleaning or to access the ceramic logs and pilot area for maintenance.

There is one screw (400C) and two screws (400T) located in the slot by the control lever which must be removed. The control knob must also be unscrewed on the 400T model. See diagrams below. The door frame is now released from the firebox.

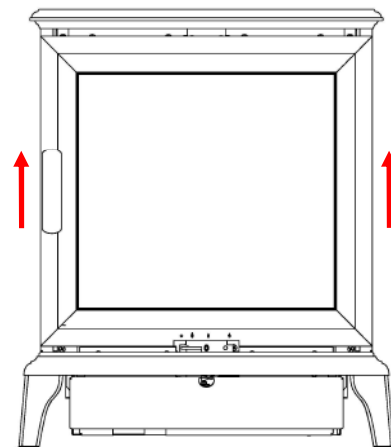


RAVEL 400C



RAVEL 400T

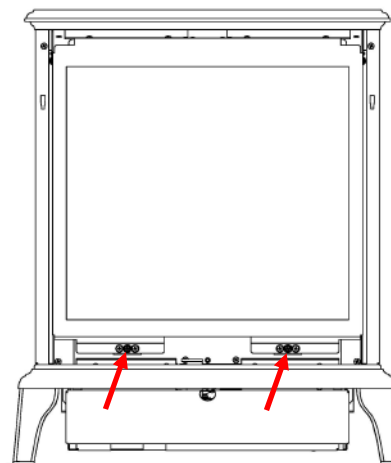
Once released, the door frame can now be lifted vertically upwards. There are two capture points on the left and right side of the door frame which must be cleared before the door frame will come away from the stove—it is important to keep the door frame square whilst it is lifted to allow it to become free.



With the door frame removed, two hexagon headed screws can be seen at the base of the fire, which secure the glass door panel. See diagram opposite.

Loosen these two screws carefully and the panel can now be swung out at the bottom and then carefully lifted over the top retaining lip.

Store the door frame where it cannot be damaged.

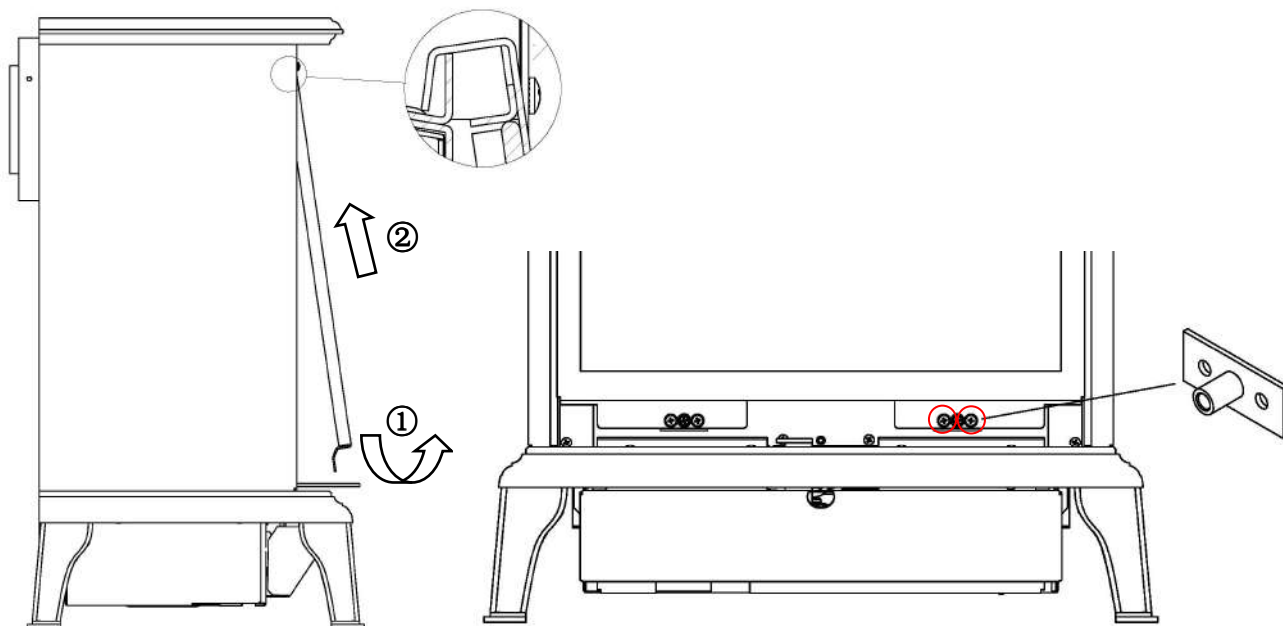


Never run the appliance with a damaged or broken glass panel

GLASS DOOR

Re-installation of the panel should take place in reverse order, ensure the panel is securely located in its retaining bracket at the top, swing the glass panel inwards at the bottom and replace the two hexagonal headed screws.

Note: Should the threads in the retaining bosses become damaged, they can be replaced by removing the two screws either side of the boss. Contact the manufacturer for further details and supply.



LOG SETUP

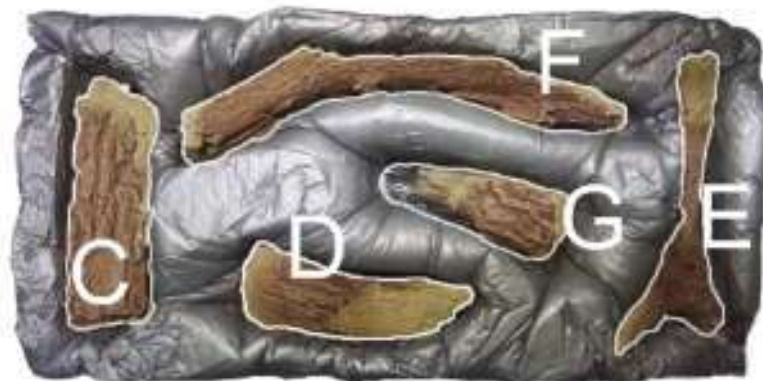
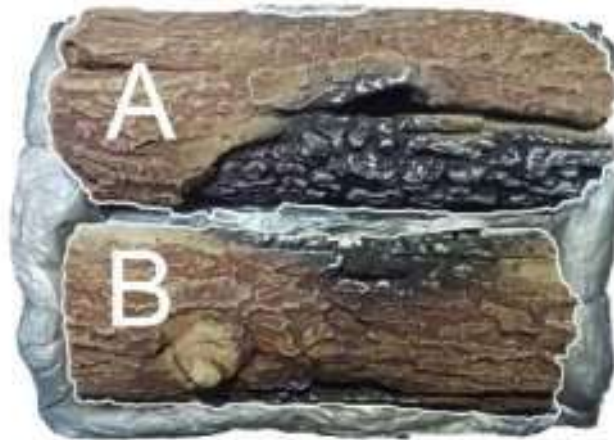
2.3 The following instructions detail how the ceramic fuel bed and loose components are to be installed onto the appliance. Great care should be taken when handling these ceramic parts as they are fragile and can easily be broken. Do not force any component into position, if it does not fit easily then you are not fitting the part correctly. These instructions can also be followed to remove or reinstall the fuel bed after cleaning. This is a procedure that can be undertaken by the customer as required and the frequency will be depend upon use.

See page 6-7 for glass door removal and installation.

The fuel bed setup involves the installation of volcanic rock, ceramic bark, ember wire and a boxed set of ceramic decorative logs. These components will have been installed by your gas engineer at the point of installation, however it is permitted for the end user to remove clean and replace these components as necessary. The following installation instructions must be adhered to at all times.

The following diagram is for identification purposes. It is imperative that the logs are placed in the correct position for safety and also to ensure that you obtain optimal performance from your appliance.

IDENTIFY



FUELBED

Place the volcanic rock on top of the centre burner as shown. Ensure a 3-4 mm gap is left between each piece. Then using **quarter** of the glowing ember wire supplied, ruffle between fingers to make it loose, about 20mm wide and as long enough to cover the volcanic rock then align over the rock as shown. Ensure no wire is placed within 25mm of the pilot assembly. Retain the rest of the wire for replacement at annual service. Please place the bark around the base of the tray as shown.

Place the volcanic rock, ember wire and bark as detailed above.



Place Log D as shown in the picture.



Place Log C as shown in the picture.



Place Log E as shown in the picture.



Place Log A as shown in the picture.



Place Log B as shown in the picture.



Place Log F as shown in the picture.



Place Log G as shown in the picture.



Running In

2.4 When this appliance is first used it is important to note that you will experience some fumes and smells in the room of operation. Any fumes emitted during the first few minutes of use can be quite pungent and it is advised that a window is opened until this subsides. Smells associated with paints, oils and starch from ceramic components may last several hours but will rapidly diminish over the first few uses of the appliance.

It is advisable that the appliance is always run on high for a period of at least 20 minutes before turning to low, to ensure optimal flue performance and to reduce the possibility of sooting.

It should be noted that as with all flame effect gas appliances, some sooting can be evident and can be cleaned away—see cleaning instructions on previous pages.

Trouble Shooting

The following table should be used to identify any problems experienced with the operating or running of your appliance prior to contacting the manufacturer or retailer regarding service.

THE FIRE WILL NOT LIGHT

Can you hear a continuous clicking during the ignition process?	YES ↓	NO Check Battery
Does the pilot light?	YES ↓	NO Check and remove soot or <i>ember wire</i> near the pilot
Does the pilot go out when the lever/control knob is released?	YES →	Try again, but before releasing the lever give a firm push to the left before releasing the lever.

THE FIRE GOES OUT

Does the fire light and run ok then subsequently turns off automatically	YES →	The thermocouple may be reaching the end of its life and should be replaced if this problem persists.
--	-------	---

VISUAL PROBLEMS

Does the flame picture look wrong?	YES →	Check ceramic fuel bed placement as per the user instructions see pages 22-24
Does the glass have grey water marks on inside surface	YES →	The glass will require infrequent cleaning dependant on use. See page 6 to open door.

Warranty



The Wildfire 5 year limited guarantee is managed directly by Hearth Products Ltd. With our experienced Gas Safe engineers and through our extensive network of service centres throughout the UK we will ensure your appliance receives the right care should anything fail prematurely. Choose Wildfire for style, performance, reliability, value and peace of mind. Note that it is a condition of the extended warranty that the appliance is serviced annually.

Unpacking appliance

3.0 THIS APPLIANCE IS SHIPPED IN TWO CARTONS. CARTON ONE CONTAINS THE APPLIANCE AND CARTON TWO CONTAINS THE FLUE KIT. ENSURE YOU HAVE BOTH CARTONS BEFORE PROCEEDING WITH THE INSTALLATION.

TAKE GREAT CARE WHEN UNPACKING THE APPLIANCE—SOME PARTS CAN BE EASILY DAMAGED.




Once each carton has been opened, carefully remove the polystyrene packing components to reveal the appliance or flue kit. Carefully remove from the packaging then remove and check the accessory packs before commencing the installation.

There will be three plastic bags also located in the cartons:

Instructions and guarantee registration form. Note that the guarantee registration can be performed online at:

www.hearthproducts.co.uk/register-new-product/



TOOLS & FITTING PACKAGE			
ITEM	PICTURE	DESCRIPTION	QTY
1		Isolation Elbow	1
2		Aluminum Tape	1
3		Ember Wire	1

FITTINGS PACK FOR FLUE			
Item	Picture	Description	Qty
1		Aluminum tape	1
2		Wooden Wall Plug	8
3		ST5*40 Wood Screw	8
4		ST3.9*6.5 Screw	15
5		Terminal Guard Retainer	1
6		Washer	4

Regulatory Information

3.1 NOTE THE FOLLOWING PRIOR TO THE INSTALLATION OF THIS APPLIANCE.

This gas appliance **MUST** be installed by a GAS SAFE registered installer by law. It must be installed in accordance to these installation instructions and the GAS SAFETY (Installation & Use) REGULATIONS 1998 as amended. Non compliance of this law may lead to prosecution and it is in the interest of you and your family that this condition is observed.



Check for the Gas Safe logo on your gas engineers membership card.

The installation of this appliance must be in accordance with the relevant parts of the LOCAL AND NATIONAL BUILDING REGULATIONS as issued by the Department of the Environment or BUILDING STANDARD (Scotland Consolidation) REGULATIONS issued by the Scottish Development Department and the following relevant British Standards:

- BS5871** Part 2 Installation of Inset Live Fuel Effect Gas Fires
- BS5440** Parts 1 & 2 Installation of Flues and Ventilation
- BS6891** Installation of Gas Pipe-work
- IS813:1996** Domestic Gas Installation (Republic of Ireland)

If the product is being installed into a timber framed building then advice should be sought specifically as building alterations may void any cover supplied by NHBC. If in doubt contact your local building and planning authority. Further information can be obtained from the publication: Gas Installations in Timber Frame Buildings : IGE/UP/7 Edition 2.

Efficiency /Technical

3.2 The efficiency of this appliance has been tested to EN613 and the result is 84.2% net (75.9% gross) with the shorted flue and 80.5% net (72.5% gross) with the longest flue. This efficiency value has been verified by Kiwa (0558). This efficiency value can be used for SAP (Standard Assessment Procedure) for energy rating of UK dwellings.



Appliance Technical Information

GAS TYPE: NATURAL (G20)	GAS CATEGORY: I _{2H}	INLET PRESSURE: (COLD)20mBar
HEAT INPUT: GROSS 4.00kW	INJECTORS: 0.71(3) 0.81(2)	DESTINATION COUNTRIES: GB / IE

Installation Requirements

3.3 Prior to installation ensure that the gas supply is compatible with the appliance, this appliance must only be used on **natural gas** at a supply pressure of 20 mbar as marked on the data plate on the appliance and the carton. This appliance is intended for use on a gas installation with a governed meter.

This appliance must only be installed in accordance with BS5440: Part 1 and these installation instructions.

For minimum and maximum flue dimensions refer to page 18 of these instructions. The horizontal flue section only should be modified by the installer to suit the installation, no modification should be made to the flue terminal. The guard (supplied) must be fitted to the terminal if any part of the terminal is below 2 metres above any accessible point, i.e. the ground or balcony etc.

Site Requirements

3.4.1 Do not place soft wall coverings (i.e. embossed papers etc,) furniture or other combustible items too close to the appliance as they may discolour or scorch. Do not place or throw rubbish or otherwise on the fuel-bed.

It is very important that you arrange for a GAS SAFE registered engineer to service your appliance every year – This is important for you and your families safety.

NEVER place more ceramic components onto the fuel bed than specified in the instructions.

NEVER touch the glass panel or metal parts surrounding the glass when the fire is running or if it has recently been in operation—these components retain heat and may cause burns. Leave the appliance to sufficiently cool prior to any contact.

WARNING: This appliance has very hot surfaces when in use and as with all heating appliances a fireguard should be used for the protection of children, the elderly, infirm and pets. The fireguard should conform to BS8423 : 2002 (Fireguards or use with Gas Heating Appliances).

Hearth

3.4.2 This appliance must stand on a non combustible hearth with a minimum thickness of 12mm. The hearth must protrude a minimum of 50mm to the left and to right of the appliance and at least 150mm in front of the appliance.

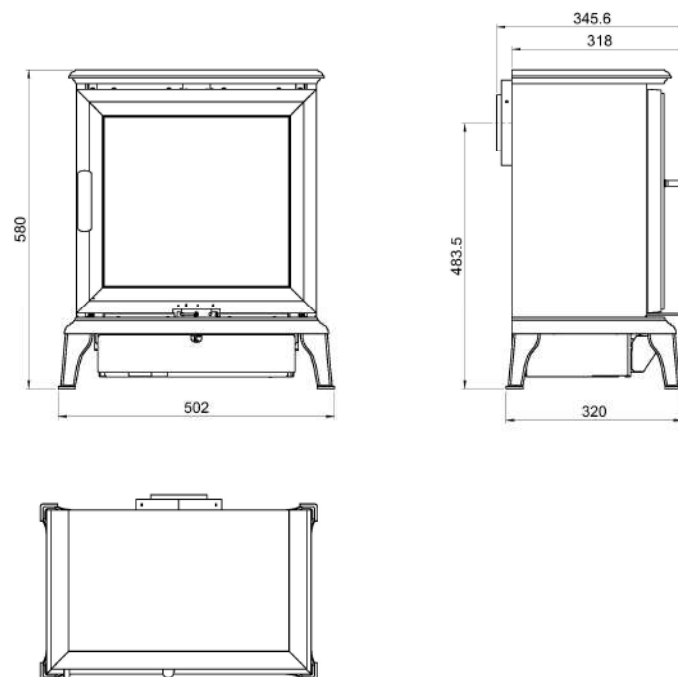
Building regulations do allow for a minimum of 50mm protrusion for each of these dimensions, however we recommend the values stated above to provide a reasonable physical boundary from the appliance due to high temperatures of working surfaces, such as the glass panel.

Gas Supply

3.4.3 This appliance is suitable for use on natural gas (G20) only from a governed meter. It is the responsibility of the installer to ensure that correct pipe sizing has been supplied to the site for correct performance. 8mm diameter ductile copper tubing should be used for the run to the appliance at a maximum length of 500mm to avoid pressure drops. The appliance is supplied with a isolation device which must be used as part of the installation. There should be no soldered joints within the firebox of the appliance.

Appliance Dimensions

3.4.4 The following drawing shows the appliance dimensions.

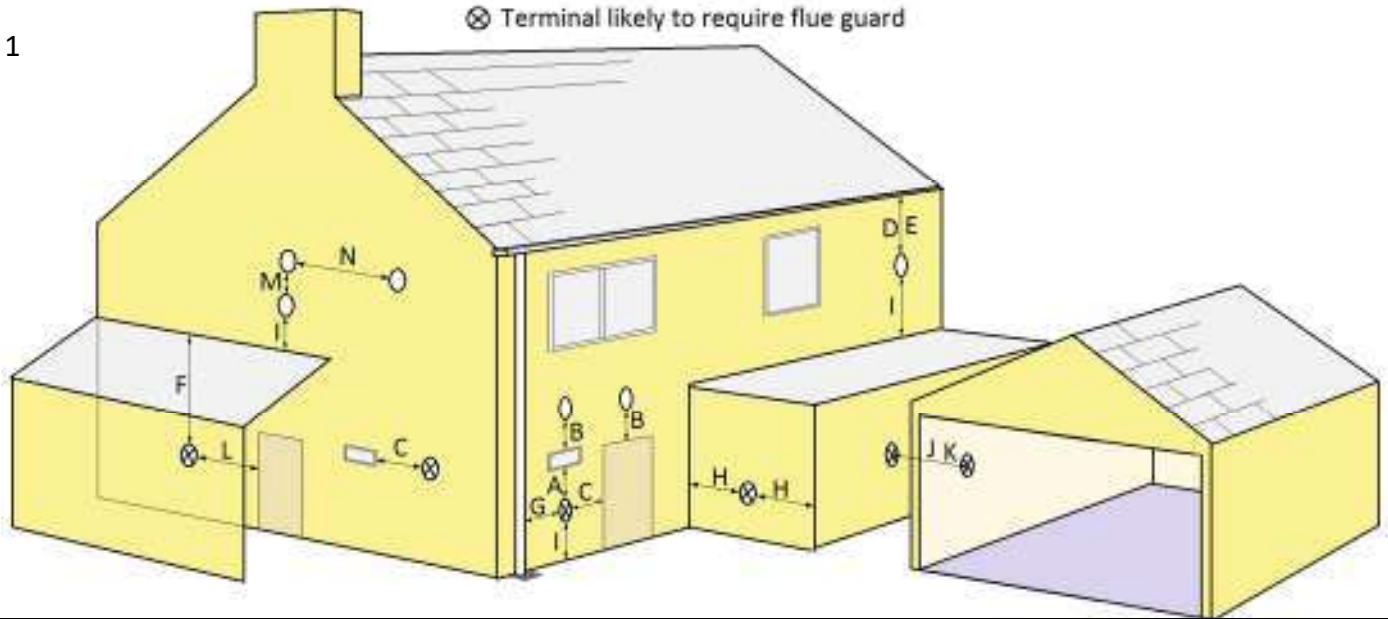


3.4.5 REGULATORY REQUIREMENTS FOR FLUE TERMINAL LOCATION

THE FOLLOWING MUST BE NOTED PRIOR TO THE INSTALLATION OF THIS APPLIANCE.

- Terminal without guard
- ⊗ Terminal likely to require flue guard

Figure 1



Key	Terminal Position	Minimum Distance
A*	Directly below an opening, airbrick, opening window etc.	300mm
B*	Above an opening, air brick, opening window etc.	300mm
C*	Horizontally to an opening, air brick opening window etc.	300mm
D	Below gutters, soil pipes or drains.	300mm
E	Below eaves.	300mm
F	Below balconies or car port roof.	600mm
G	From a vertical drain pipe or soil pipe.	300mm
H**	From an internal or external corner	600mm
I	Above ground, roof, or balcony level.	300mm
J	From a surface facing the terminal.	600mm
K	From a terminal facing a terminal	600mm
L	From an opening in a car port (e.g. door, window) into dwelling.	1200mm
M	Vertically from a terminal on the same wall.	1500mm
N	Horizontally from a terminal on the same wall.	300mm

* In addition, the terminal should not be nearer than 300mm to an opening in the building fabric formed for the purpose of accommodating a built-in element such as a window frame or door frame.

** The reference to external corners does not apply to building protrusions not exceeding 450mm, such as disused chimneys on external walls.

A terminal guard is supplied with this appliance. It is a requirement in England and Wales that this a guard be fitted where the flue terminal may come into contact with people near the building or be susceptible to damage.

In the republic of Ireland the installation must conform to the relevant sections of IS813 'Domestic Gas Installations'.

Hearth Products recommend that the terminal guide be fitted in any area where it may be damaged or contact could be made with the flue terminal.

3.4.6 SITING THE APPLIANCE

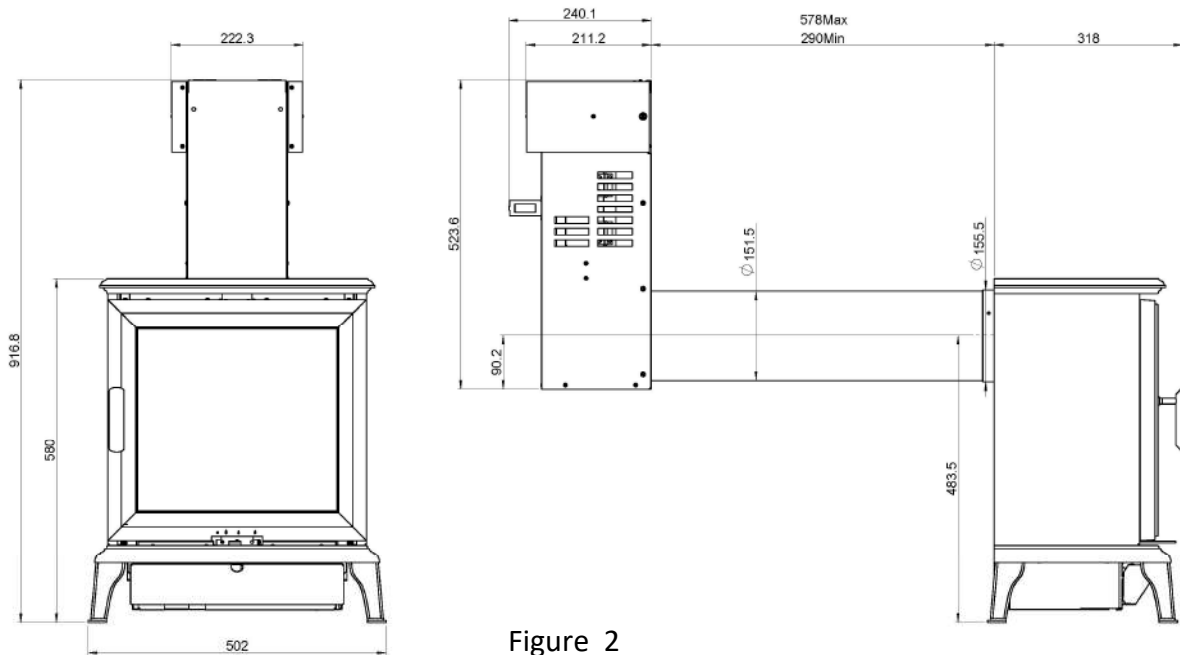


Figure 2

Figure 2 shows the maximum length flue attached to the appliance. If the distance from the rear face of the stove panel to the outside wall exceeds 578mm the installation cannot proceed. In most installations the flue section will need to be cut to the appropriate size. Any reduction to flue length must be removed from the end opposite the terminal and the three holes then re-drilled to fix the flue to the appliance—use the holes in the waste section of flue as a guide. Take note of the orientation of the flue pipe as it should be installed correctly—see marking on flue.

DO NOT CUT THE FLUE YET. ONCE THE APPLIANCE CAN BE PLACED IN POSITION THE FLUE LENGTH CAN BE CHECKED BEFORE CUTTING—REPLACEMENT FLUES WILL BE CHARGED FOR IF THE FLUE IS CUT INCORRECTLY.

FLUE CUTTING INFORMATION IS ON PAGE 22 OF THESE INSTRUCTIONS

Figure 3 shows the inner brickwork removed to accept the appliance. Note centre of the flue hole must be 6" (minimum) diameter and located at a height of 463.5mm from the hearth or installation surface.

A clearance of at least 3mm must remain between the rear face of the appliance and the inner face of the outer brickwork—as shown below.

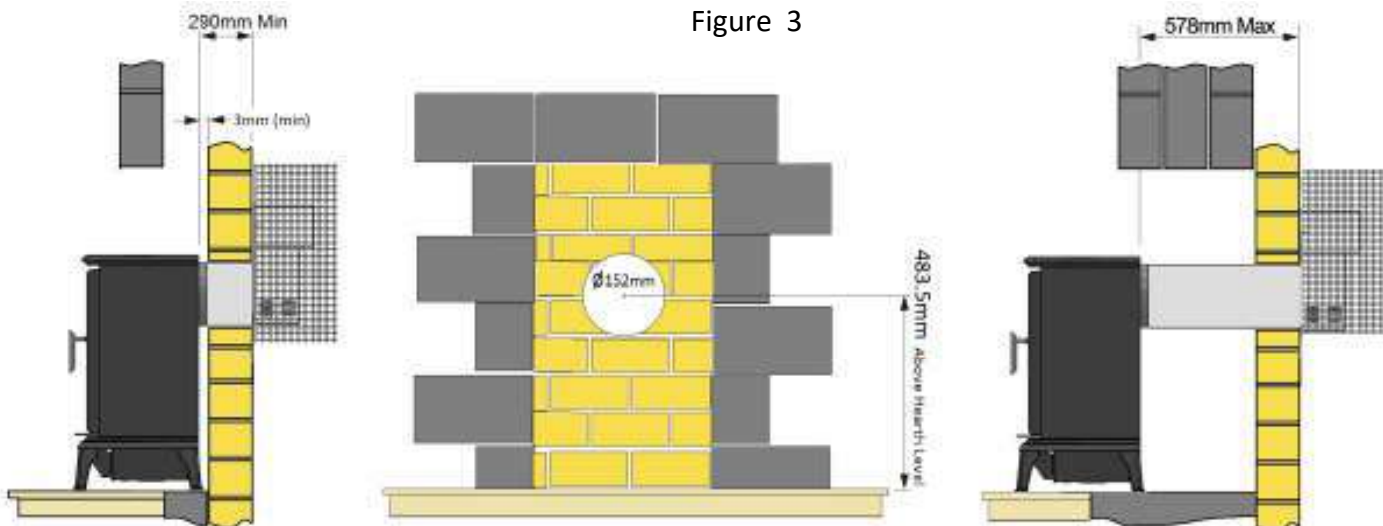


Figure 3

Clearances

3.4.4 The following drawings show the recommended **fireplace openings** required from combustibles and non combustibles for installation.

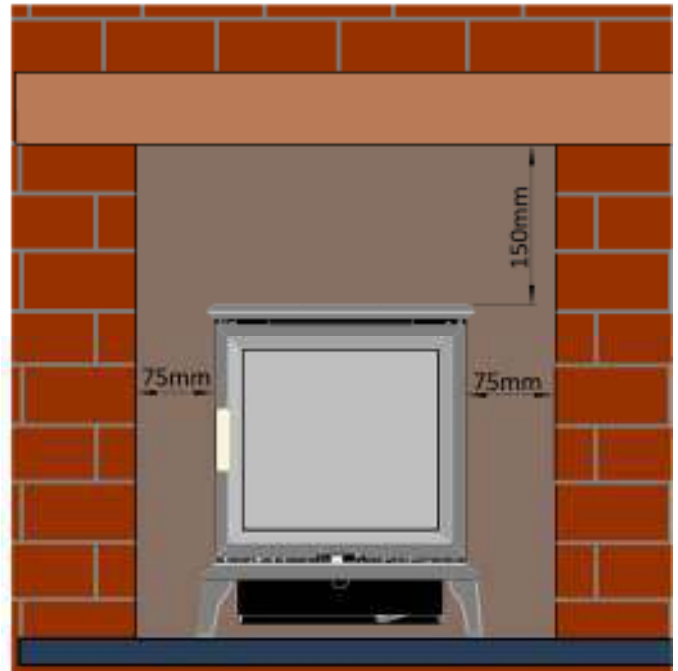
Combustibles

This drawing shows the minimum clearances from combustible materials. A minimum clearance of 50mm must be left at the rear of the appliance (from the back vertical face). The rear wall must not be made from combustible materials, this wall **must** be non combustible.

IMPORTANT NOTE:

The top panel of the chamber MUST be non combustible and have ventilation with a minimum of 100cm².

The 150mm dimension shown on this diagram pertains to combustible mantels or beams level or in front of the appliance. This 150mm clearance is satisfactory for mantels sitting up to 75mm in front of the appliance glass. If this shelf/mantel/beam projects further than 75mm from the glass face then the clearance must be increased by a similar amount.

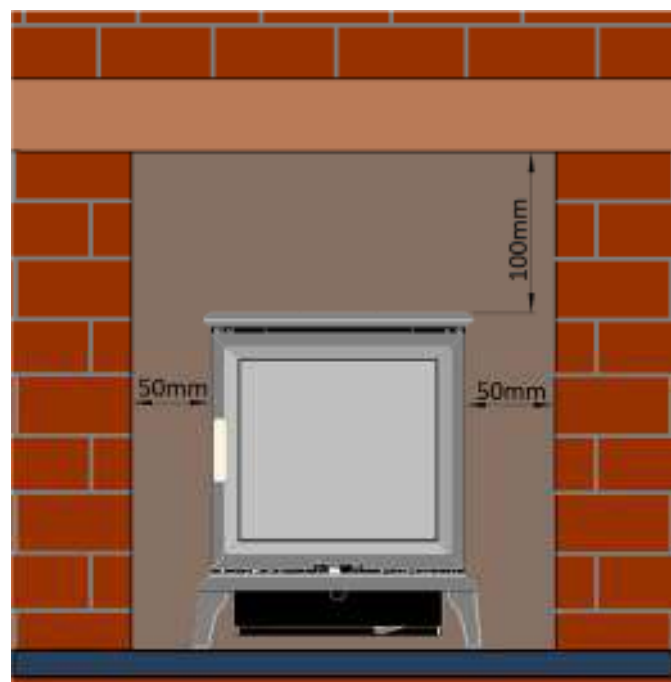


For example, shelf projection = 100mm
Clearance must be 175mm (to the shelves nearest point).

Non Combustibles

This drawing shows the minimum clearances from non combustible materials. A minimum clearance of 50mm must be left at the rear of the appliance (from the back vertical face). The rear wall must not be made from combustible materials, this wall must be non combustible.

It is recommended that the side wall clearance is made larger if possible as this will allow more airflow to and around the appliance.



Timber Frame Buildings

If the appliance is being installed into a timber framed building the hole through which the flue will pass must have a steel sleeve positioned such that a minimum 25mm air gap exists between the outside diameter of the flue pipe and the metal sleeve – in addition, contact your local building and planning authority (see safety notes on page 5).

Cutting the Hole in Outer Brick Work

Mark out the cut-out for the inner brickwork and the flue centre line. Using a core drill is the quickest and easiest method to produce the hole required for the flue in the outer wall. Alternatively a hammer and cold chisel can be used however care should be taken not to damage brickwork surrounding the flue pipe as this will be visible after installation is complete. If damage is caused to outer brickwork this should be made good when completing the installation. Check carefully to ensure that hole is made in the correct position, the hearth height or installation height of the base of the appliance must be known first. See the drawing on page 18. Check also with the terminal position requirements on page 17.

When drilling the hole it is advisable that a pilot hole is drilled first. The hole should be drilled to approximately half the brick depth then complete the hole by drilling from the outside of the building, this will ensure that the entry and exit of the hole are clean and unchipped.

Ensure that the flue hole is drilled horizontally.

Preparing the Gas Supply for the Appliance

A gas soundness test should be performed to ensure that the existing pipe work in the property is sound.

The gas supply can be prepared for a concealed fitting from the rear. In all installation conditions the gas connection should be provided using 8mm (O/D) copper tubing. If the concealed installation method is chosen, there are three optional entry points at the rear/side of the appliance. The relevant 'knock-out' entry point should be removed to allow the gas supply to enter the appliance. No soldered joints should be used within the firebox of the appliance.

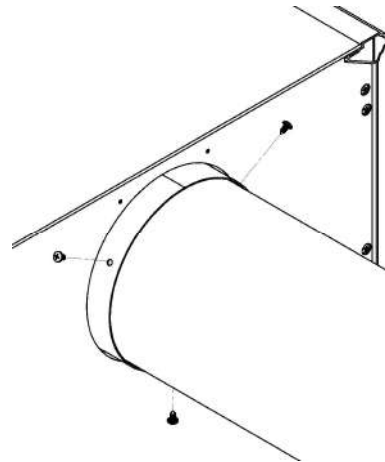
The connection to the appliance will be made using the restrictor isolation valve supplied with the appliance. This restrictor elbow is supplied loose and should be fitted as per the label on the instruction packet.

Ensure a gas soundness test has been performed to ensure that the existing pipe work in the property is sound.

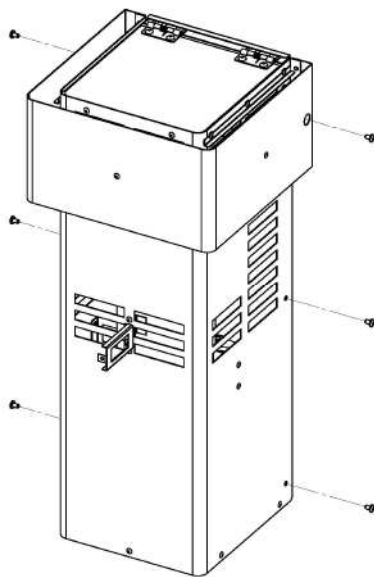
If any part of the gas pipe will be situated in the cavity it MUST be sleeved in accordance with BS6891. flexible sleeving is permitted.

Fixing the Appliance.

With the **UNCUT FLUES FITTED** to the appliance, drill the 3 holes as shown in the **OUTER** flue and fix with the 3 screws provided. Next place the fire into its installation position, temporarily, while the flue lengths are confirmed.



Next, Remove the six screws to release the wall plate from the terminal.



Now **temporarily** secure the wall plate using the screws and plug supplied.

The flues need to protrude through the wall plate by 12mm to ensure it can be fastened by the 3 lugs on the wall plate.

Mark these 3 hole positions which need to be drilled at 3mm dia.

Make a mark on the outer flue at a position 12mm past the wall plate surface.

NOTE: THIS MARK WILL SHOW HOW MUCH THE FLUE IS TO BE SHORTENED.



SEE PAGE 22 FOR MORE DETAIL.

Next, unscrew the wall plate from the wall.

Remove the two flue sections from the appliance.

Remove the appliance from its installed position.

The **OUTER** flue can be cut at the line marked in the previous step.

Measure the amount of flue removed from OUTER flue.

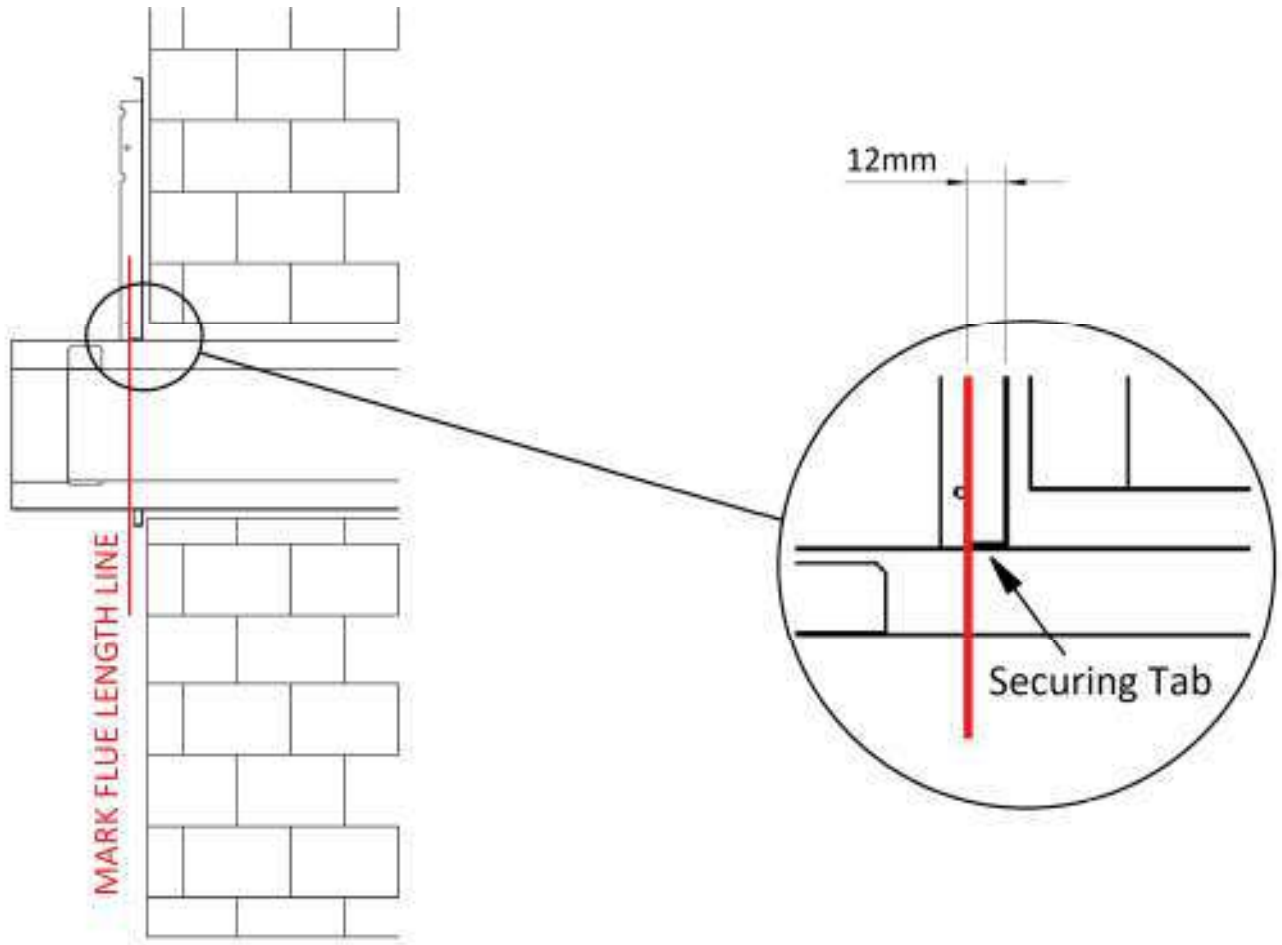
Now cut this same amount from the **INNER** flue—from the end which is inserted in the fire.

DO NOT REMOVE FROM THE END WITH THE 3 LOCATING FEATURES. (See page 22)

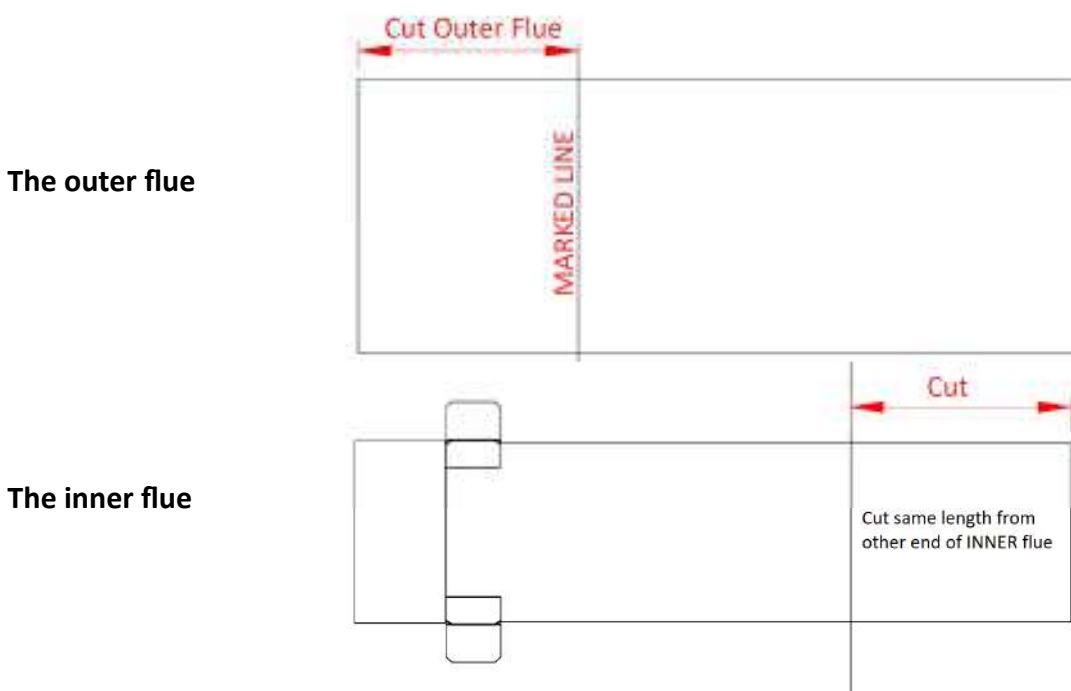
Ensure that the flues are cut correctly. If any flue length is cut incorrectly the installation cannot proceed. Replacement flue pipes will have to be purchased from the manufacturer.

Now refit the flues to the appliance—use the 3 screws to secure the **OUTER** flue to the flange of the appliance.

Use the metal tape to seal the **OUTER** flue to the fire.



The rear face of the wall plate should be sealed with proprietary sealing compound or mortar.



3.4.7 FITTING THE TERMINAL & TERMINAL GUARD

ONLY THE TERMINAL AND TERMINAL GUARD SUPPLIED WITH THIS PRODUCT SHOULD BE FITTED. THIS TERMINAL GUARD ALLOWS CLEARANCE FOR BLAST FLAP CLEARANCE.

From the outside carefully insert the inner flue, the flue guides should be towards the outside wall, to keep the two flues concentric before they enter the terminal.

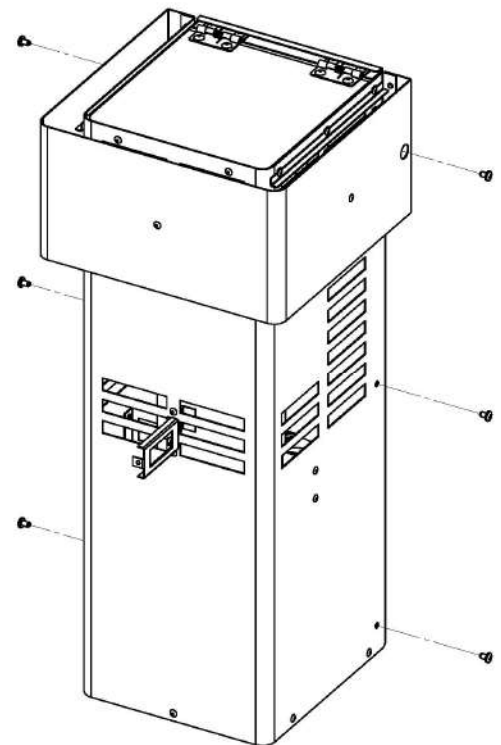
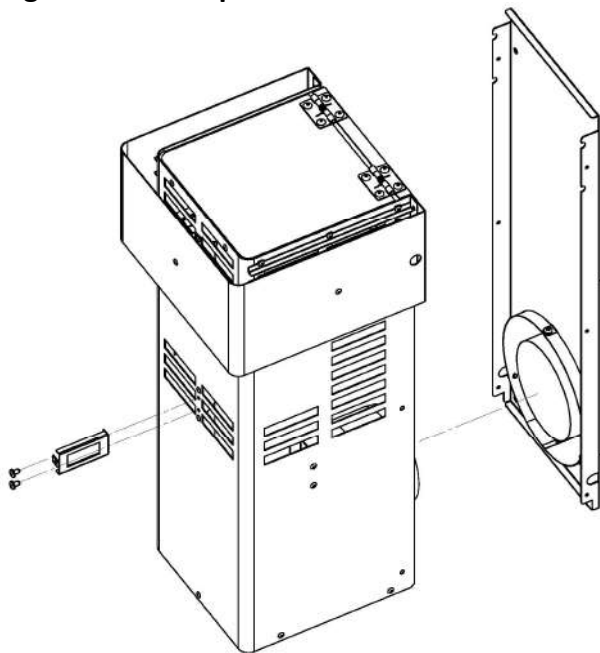
Use mortar to tidy any gaps between the outer flue and the wall prior to re-fitting the wall plate.

Fit the guard locating bracket to the flue terminal.

This component is very important as it ensures clearance above the terminal for blast relief flap to open fully.

Secure the outer flue with the three lugs on the wall plate using the 3 screws provided.

Secure the terminal to the wall plate, ensuring the inner elbow locates firmly into the inner flue.



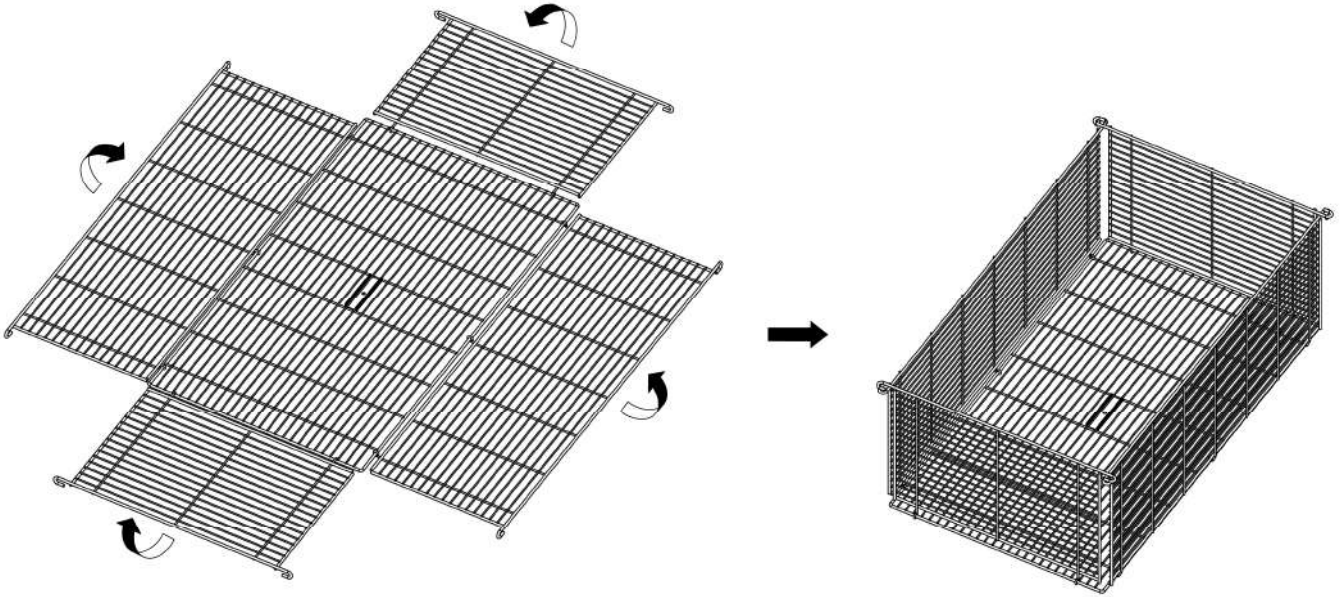
Connecting the Appliance to the Gas Supply

In all installation conditions the gas connection should be provided using 8mm (O/D) copper tubing. **No soldered joints** should be used with the firebox of the appliance.

Ensure a gas soundness test has been performed to ensure that the existing pipe work in the property is sound.

The connection to the appliance will be made using the 8mm restrictor isolation valve supplied with the appliance. This restrictor elbow is supplied loose and should be fitted as per the label on the instruction packet.

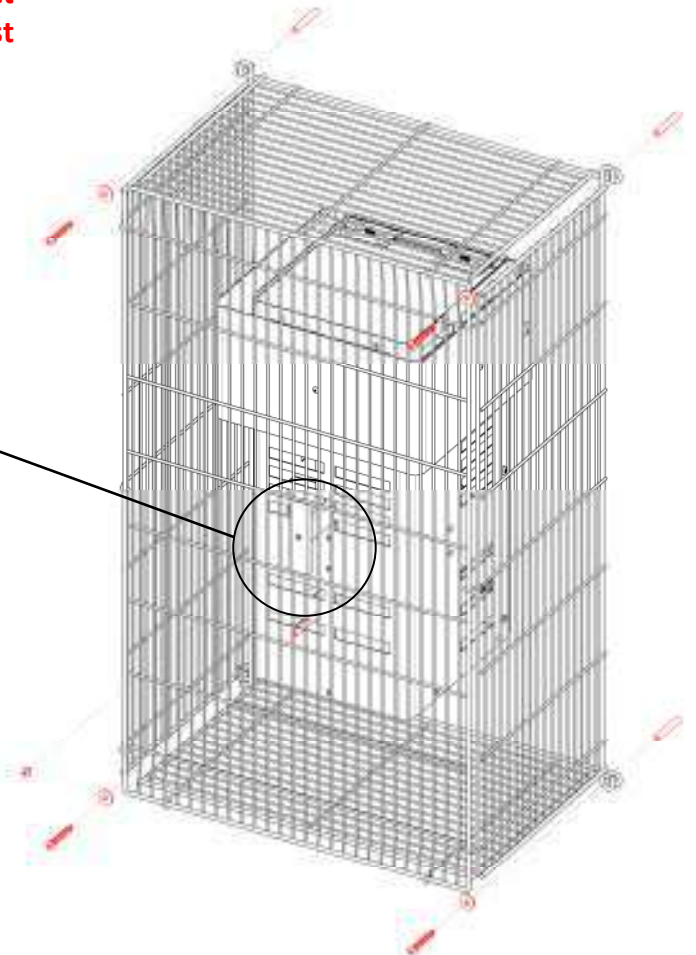
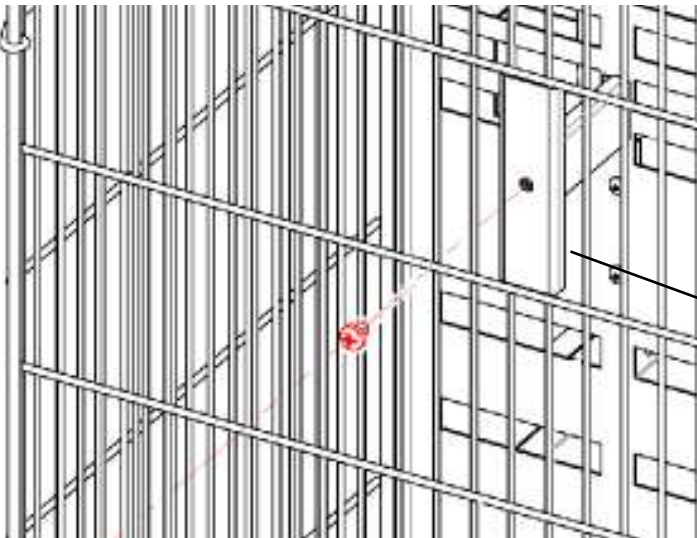
Using the diagram below, fold the terminal guard, aligning the screw fixing holes in each corner to create the correct shape.



Screw the guard to the terminal locating bracket (fitted earlier).

This must be fitted correctly to ensure that the correct clearance is maintained above the terminal for the blast relief flap to open fully.

Now fix the guard to the wall using the screws and plugs provided.



4.1 Appliance Data

Gas Type	Natural Gas (G20)
Inlet Pressure	20mbar ±1mbar
Gas Connection	8mm pipe
Injector	0.71(3) 0.81(2)
Pilot Body	P-XX1318A
Thermocouple c/w Microswitch	P-XX13181
Input High Rate (Gross)	4.0kW (0.38m ³ /hr)
Input Low Rate Slide Control (Gross)	2.6kW (0.24m ³ /hr)
Battery Type (Electronic Igniter)	AA
Wall Depth (Min)	290 mm
Wall Depth (Max)	578mm
NOx Class	Class 4

LOG SETUP

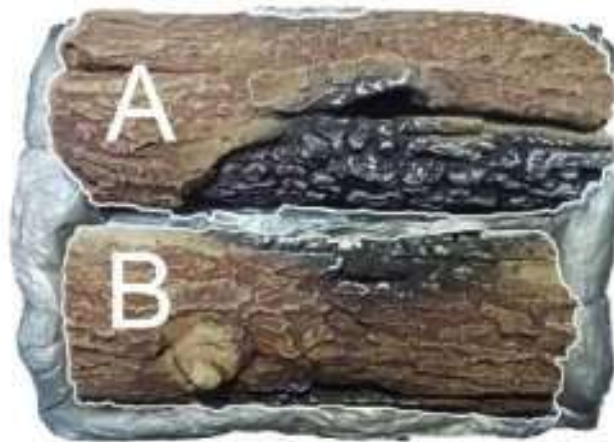
4.2 The following instructions detail how the ceramic fuel bed and loose components are to be installed onto the appliance. Great care should be taken when handling these ceramic parts as they are fragile and can easily be broken. Do not force any component into position, if it does not fit easily then you are not fitting the part correctly. These instructions can also be followed to remove or reinstall the fuel bed after cleaning. This is a procedure that can be undertaken by the customer as required and the frequency will be depend upon use.

See page 6-7 for glass door removal and installation.

The fuel bed setup involves the installation of volcanic rock, ceramic bark, ember wire and a boxed set of ceramic decorative logs. These components will have been installed by your gas engineer at the point of installation, however it is permitted for the end user to remove clean and replace these components as necessary. The following installation instructions must be adhered to at all times.

The following diagram is for identification purposes. It is imperative that the logs are placed in the correct position for safety and also to ensure that you obtain optimal performance from your appliance.

IDENTIFY



FUELBED

Place the volcanic rock on top of the centre burner as shown. Ensure a 3-4 mm gap is left between each piece. Then using **quarter** of the glowing ember wire supplied, ruffle between fingers to make it loose, about 20mm wide and as long enough to cover the volcanic rock then align over the rock as shown. Ensure no wire is placed within 25mm of the pilot assembly. Retain the rest of the wire for replacement at annual service. Please place the bark around the base of the tray as shown.



Place Log D as shown in the picture.



Place Log C as shown in the picture.



Place Log E as shown in the picture.



Place Log A as shown in the picture.



Place Log B as shown in the picture.



Place Log F as shown in the picture.



Place Log G as shown in the picture.

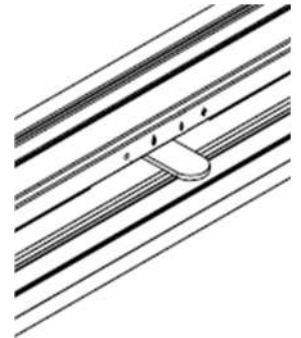


LIGHTING THE FIRE

4.3 Operating Instructions

This appliance has a slide control lever. It is positioned in the space between door and the stove base plate.

The lever will slide from right to left, this movement controls all functionality of the appliance, from ignition, flame control and turning the appliance off.



Slide the control knob to the right to the ignition symbol. After a few seconds the pilot light should light.



If the pilot light does not light, release the control knob and wait for 3 minutes before reattempting. If the pilot does not light after 3 attempts, check the battery—see page 6. If the battery is new and the pilot still fails to light, contact a gas safe engineer.



Once the pilot is lit, keep the lever pushed to the right for up to 10 seconds then release. The pilot should stay lit and the central and front log burners will now light.

The appliance is now running at the LOW setting.



Slide the knob slowly to the left to turn the rear log burners on. The appliance is now running at the HIGH setting.



To turn the fire off, slide the lever all the way to the left to the OFF symbol.



Should the spark generator fail to provide a spark at the electrode it may be that a small amount of soot has fallen from the fuel bed onto the pilot assembly, causing a short circuit. If this is the case, ensuring the appliance is off and cold, this area can be cleaned with the thin nozzle from a vacuum cleaner. See page 6 for details on glass removal to access this area.

Alternatively check the battery is in good condition—see page 6 for details.

Complete the
installation

4.4 INFORM THE CUSTOMER OF THE FOLLOWING TO COMPLETE THE INSTALLATION

Demonstrate the lighting of the appliance and the controls to control the heat settings.

Demonstrate how to turn the fire off.

Demonstrate the removal of the door frame and how to reinstall correctly.

Discuss the removal and reinstallation of the glass door and the ceramics. Explain how they should be cleaned and make the customer aware of the health and safety warning detailed in these instructions.

Explain to the customer that the ceramics are fragile and must be treated with great care, explain that the ceramics are not covered by the warranty because of their fragility. Also explain that small hairline cracks will appear in the surface of the ceramics due to heat expansion and contraction—this is perfectly normal.

During the first several hours of use an odour will be experienced—this is normal and is the starch, oils and paints used in the manufacturing process. This odour is non toxic and will eventually disappear with use.

Advise the customer that ALL glass fronted gas appliances will leave condensation on the inside face of the glass when first lit—this is perfectly normal and is a result of the water vapour present in the combustion products hitting the cold glass surface. This condensate will disappear over the next minute or so. It is also important to advise the customer that this condensate will carry with it any **impurities in the air** and will therefore, with use, leave a **slight grey condensation mark** on the inside of the glass. We advise that this is cleaned off maybe 2 to 3 times a year, dependant on use.

Advise that no rubbish should be thrown onto the appliance and that the appliance should be cleaned regularly.

Advise the customer that the appliance should be serviced annually by a gas safe engineer to ensure the safety and integrity of the appliance.

Advise the customer that the appliance has a naked flame and therefore it is essential that a suitable fireguard be used for the protection of the elderly, infirm and young children. This fireguard should conform to BS8423 : 2002 (Fireguards or use with Gas Heating Appliances).

These instructions and all supplied installation tools must be handed over to the customer once installation is complete.

HEALTH AND SAFETY NOTICE

This appliance uses fuel effect pieces manufactured from Refractory Ceramic Fibres (RCF). Care must be taken to avoid excessive exposure to these materials as they may cause irritation to the eyes, skin, nose and throat. When Handling avoid inhaling and contact with skin and eyes. It is recommended that disposable gloves are worn in addition to a facemask and eye protection. After handling wash hands thoroughly and any other exposed parts which may have come in to contact with the material.

If a vacuum cleaner is used to clean the fuel bed or areas around the appliance there fragments of the material may have fallen it is recommended that it be of the type fitted with a HEPA filter.

Care should be taken when disposing of RCF materials. It is important to keep any dust to a minimum so it is recommended that the fuel effect components are placed into a heavy duty plastic bag. The bag should be clearly labelled **RCF WASTE**. These materials are not classified as hazardous waste and should be disposed of at a site approved for the disposal of industrial waste.

Cleaning the Appliance

Ensure the fire is turned off and has been allowed to cool for a period of at least one hour.

Metal Parts

Metal parts can be cleaned with a slightly damp cloth, once wiped, any moisture should be removed with a soft clean cloth. Do not use any abrasive cloths or cleaning solutions, these may scratch the surface.

Fuel Bed

The fuel effect components supplied with this product are extremely fragile and must be handled with great care. The ceramics in this appliance are not covered by the warranty due to their fragility. This includes the RCF fibre boards in the fire box. These components will break or chip if not handled with the greatest of care.

Cleaning of these components should only be undertaken once the appliance is switched off and has been allowed to cool for a minimum period of one hour. The glass should be removed (see pages 6 & 7 for full details). The ceramic components should be lifted carefully piece by piece from the appliance and placed onto a dust sheet or similar. They can be brushed gently with a soft brush to remove any dust or deposits. If you intend to use a vacuum cleaner then this should only be done once the loose deposits of soot etc have been removed. Ensure that the moulded components are structurally sound and no significant part of the moulding has broken away. If any component has broken then it should be replaced before using the appliance. Only the correct replacement part as supplied by the manufacturer shall be used in this appliance. Do not add any additional components to the fuel bed layout. It is important to note that small hairline cracks will appear in the surface of the ceramics due to heat expansion and contraction—this is perfectly normal.

Ensure that the ceramics are replaced correctly, as per the instructions in this manual.

Servicing

5.0 Servicing the Appliance.

The following procedures can and should **only** be performed by a **Gas Safe registered installer**.

This appliance should be serviced annually by a **Gas Safe registered installer**.

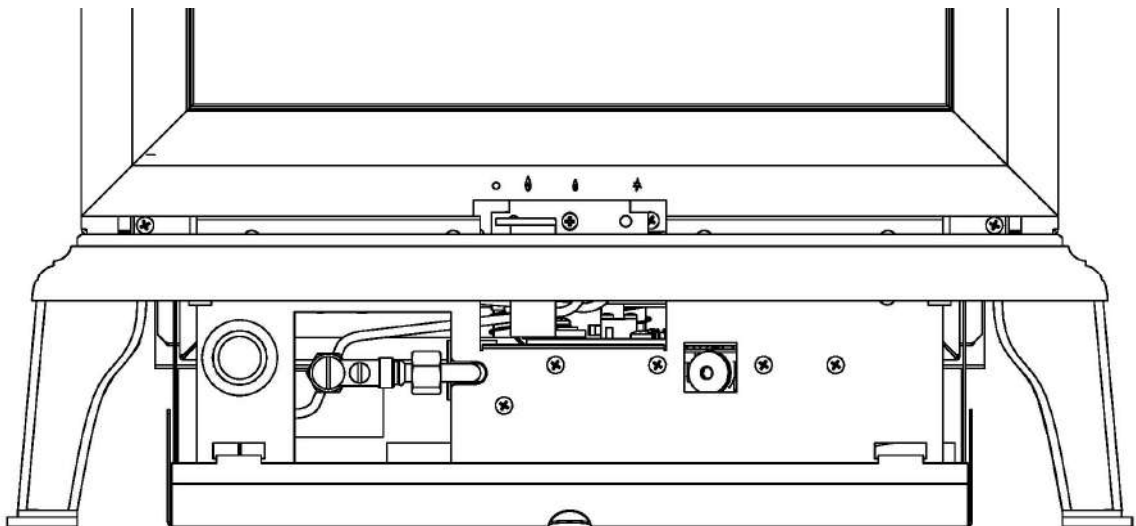


Isolate the appliance using the restrictor elbow and remove the 8mm nut from the restrictor as detailed below.

ALL SERVICE WORK WILL REQUIRE THE REMOVAL OF THE LOWER ACCESS DOOR (EXCEPT WHERE STATED), THE DOOR FRAME AND GLASS DOOR, GLASS PANELS AND CERAMIC PLATES.

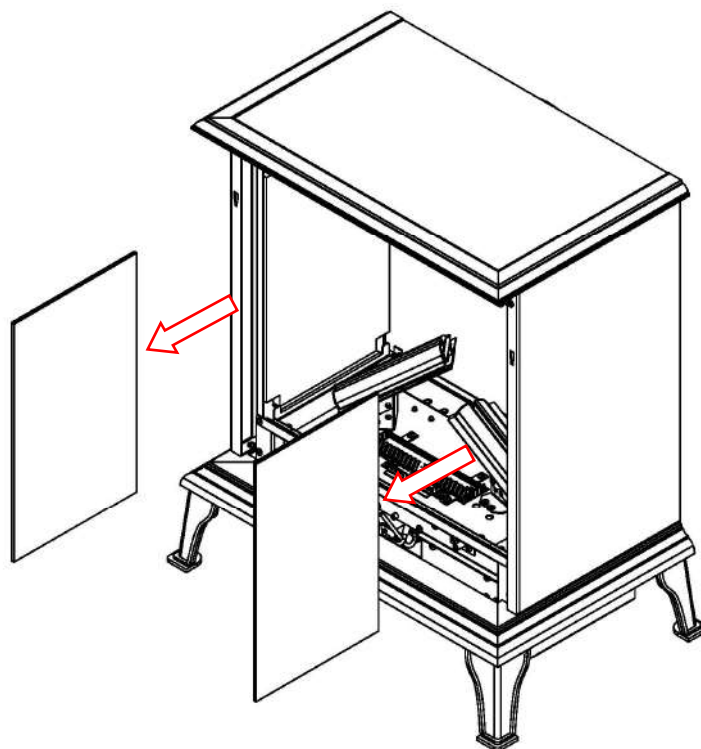
5.1 Removal of the Lower Access Door.

Lower the access door as shown below then slowly pull the door out—it will release from the tray assembly.



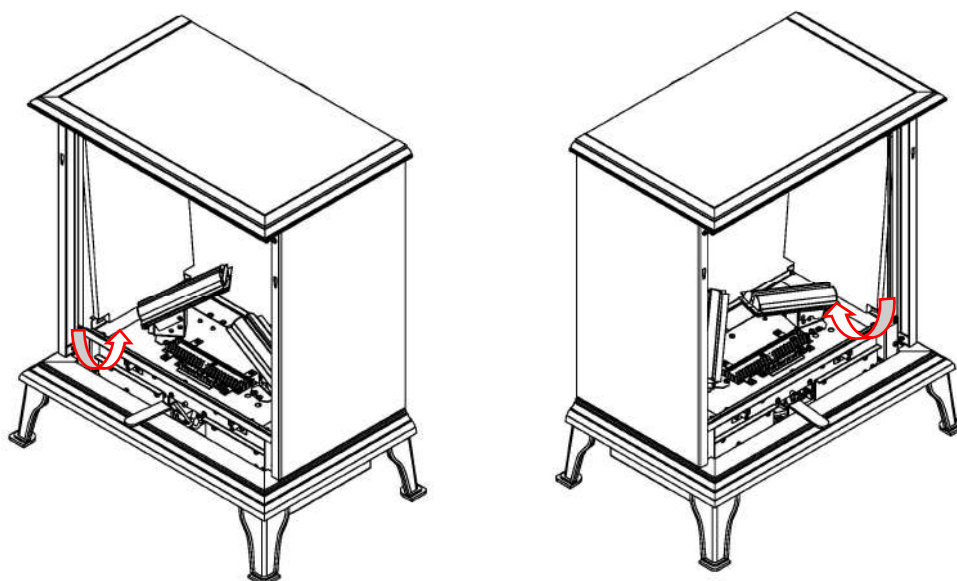
5.2 Removal/Replacement of the Side Glass Panels.

These glass panels can simply be slid out from the appliance once the front glass panel is removed.



5.3 Removal/Replacement of the Side Ceramic Plates.

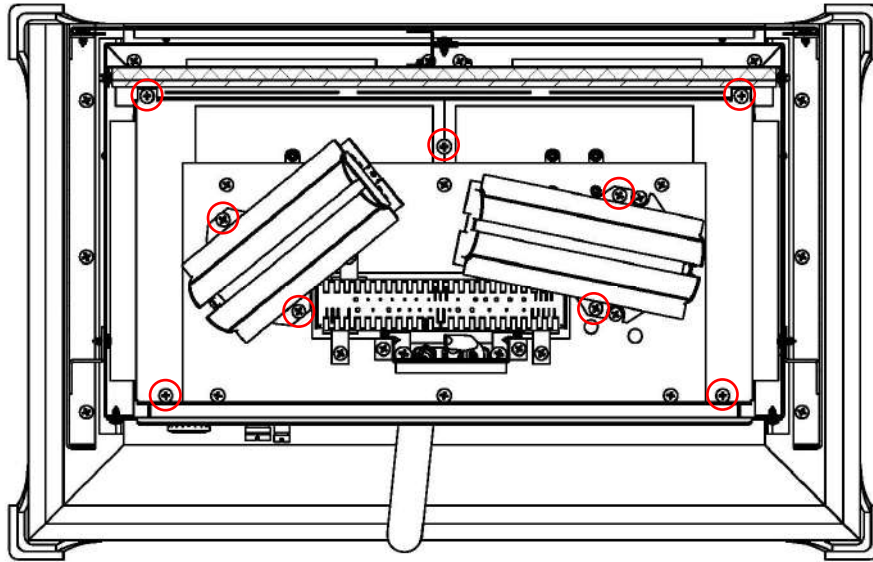
To remove the side ceramic plates, the side glass panels must first be removed –see above. Now the side ceramic plates can be rotated from the bottom and slid out from the firebox.



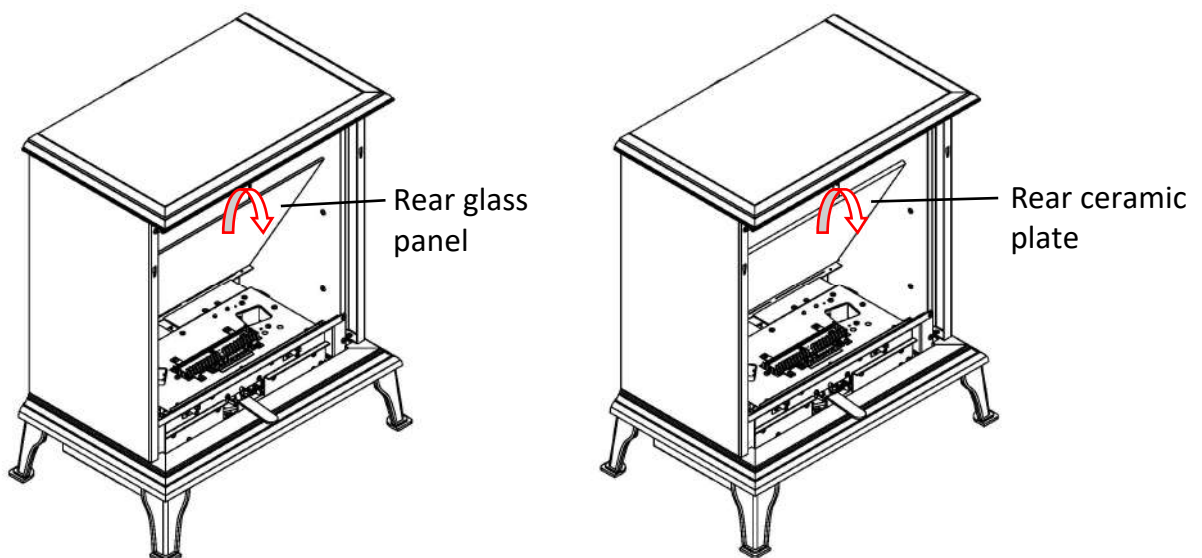
5.4 Removal/Replacement of the Rear Glass Panel.

To remove the rear glass panel, the side glass panels and side ceramic plates must be removed first –see previous page.

And then remove the 9 screws shown in the diagram below, the LH and RH burners, the LH and RH cover plates can be removed.



Now the rear glass panel can be rotated from the top and lifted out of the firebox.



5.5 Removal/Replacement of the Rear Ceramic Plate.

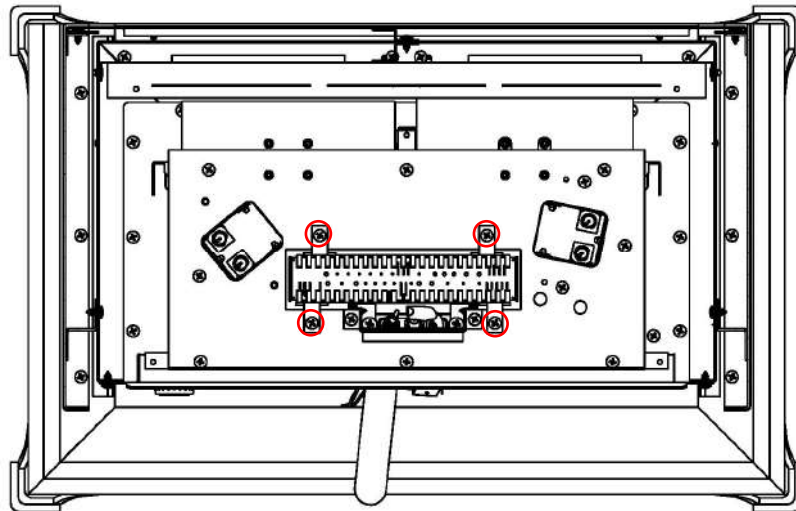
Now the rear Ceramic plate can be rotated from the top and lifted out of the firebox shown above.

5.6 Removal of the burner tray.

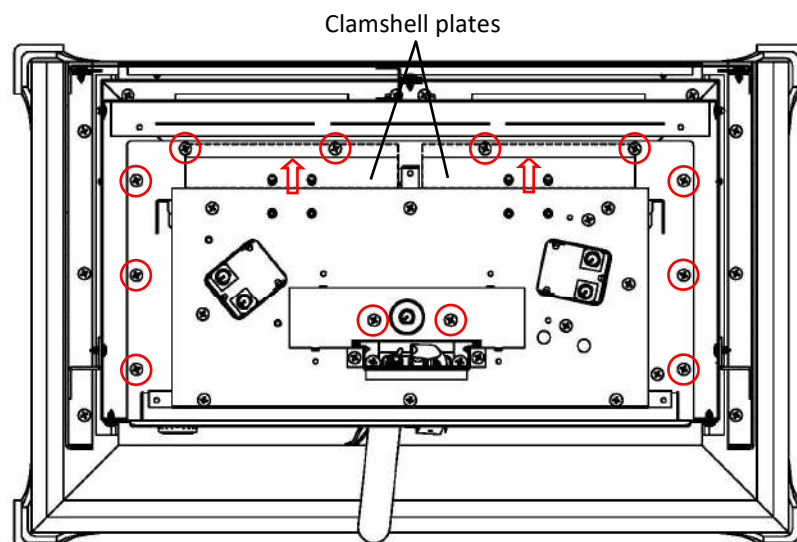
Remove the 4 (four) screws to remove the middle burner as shown in the first diagram.

The removal and replacement of all the gas carrying components will require the removal of the burner tray. The following information details the removal of this tray. Once removed, refer to the relevant section that follows detailing the removal of the specific component (s).

- Ensure the appliance is off and cold.
- Ensure that the gas supply is isolated by the restrictor valve on the appliance.
- Remove the fuel effect components - put in a suitable location where they cannot be damaged.
- Push the clamshell plates downwards to reveal 4 (four) of the screws (see diagram) and remove at total of 12 (twelve) screws securing the burner tray to the firebox. (See below)
- Carefully lift the burner tray through the front of the stove.
- Re-assemble the tray in the reverse order.

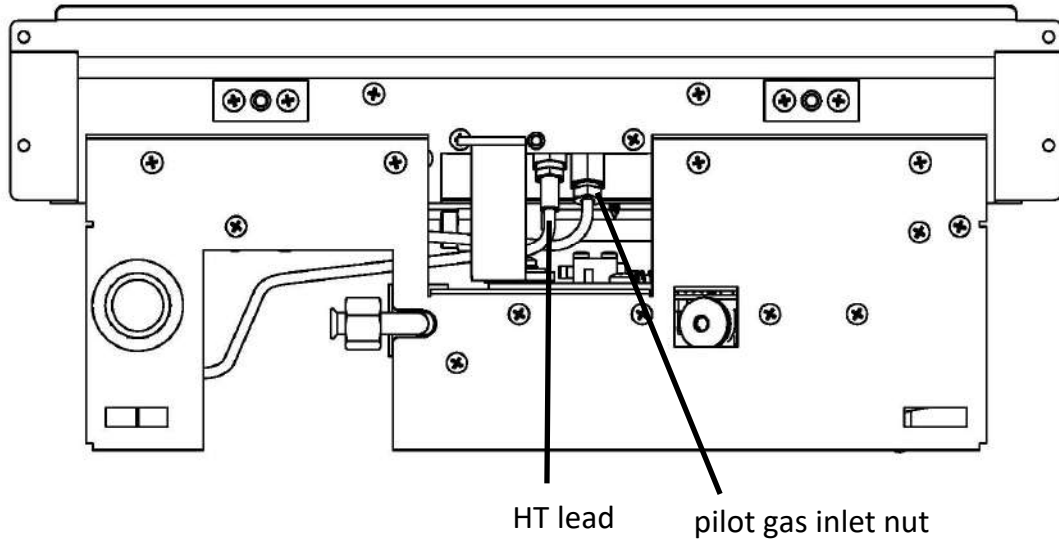


The following diagrams demonstrate the removal of the tray.

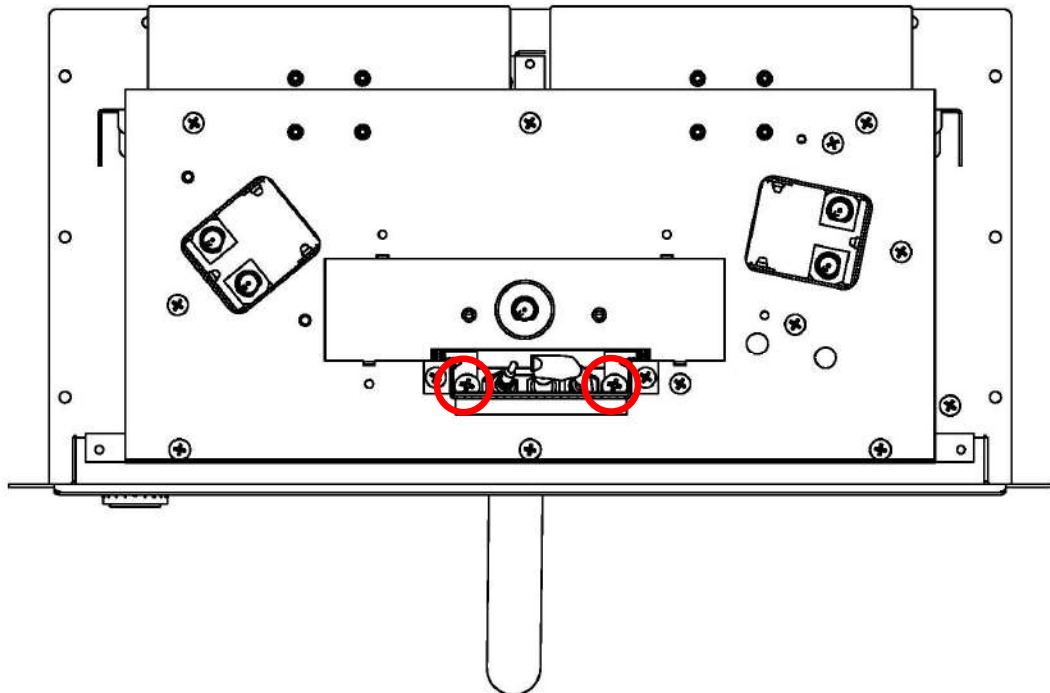


5.7 Removal of the pilot.

After the removal of the burner tray, remove the HT lead from the base of the spark electrode and unscrew the pilot gas inlet nut as shown in the diagram below.

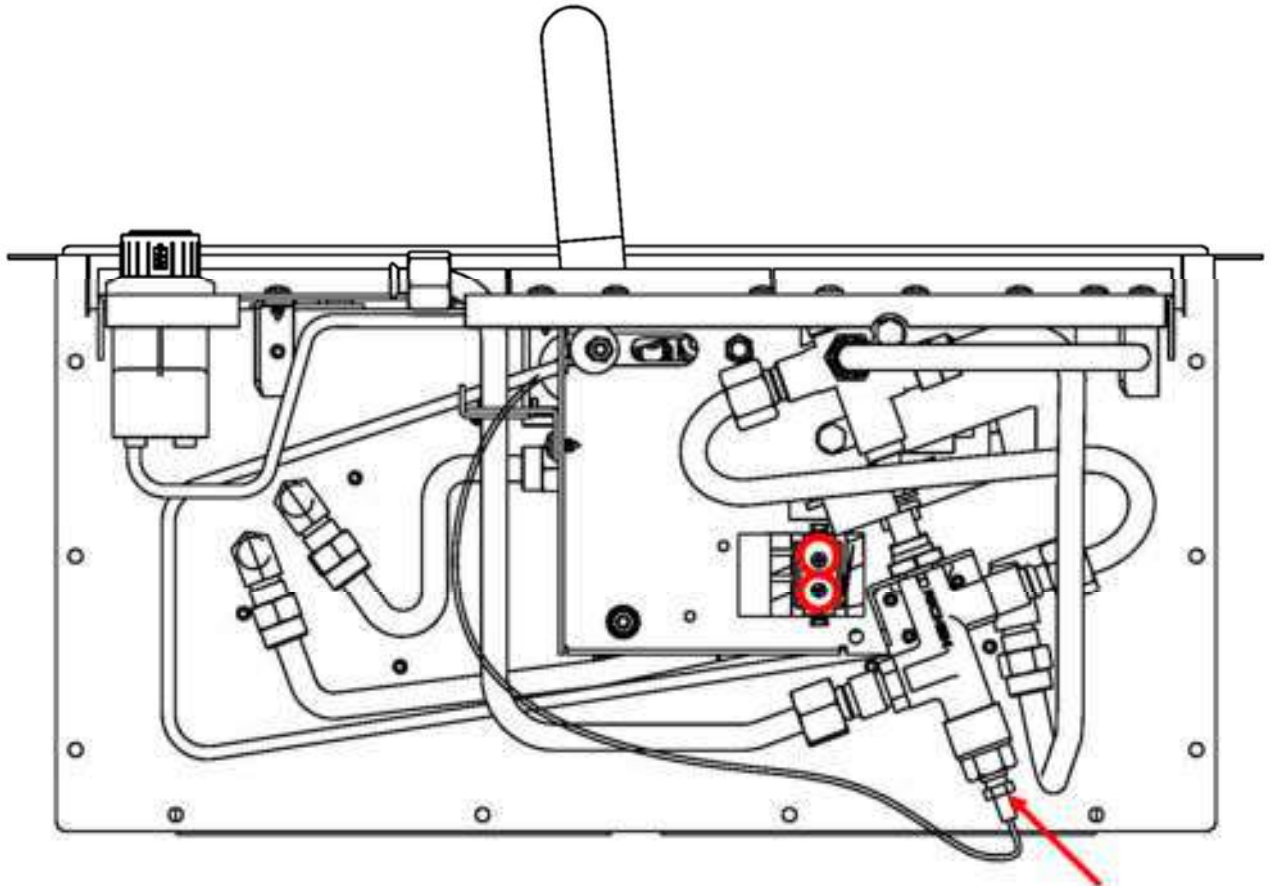


Now remove the two screws to release the pilot.



5.7 Removal of the pilot— Continued.

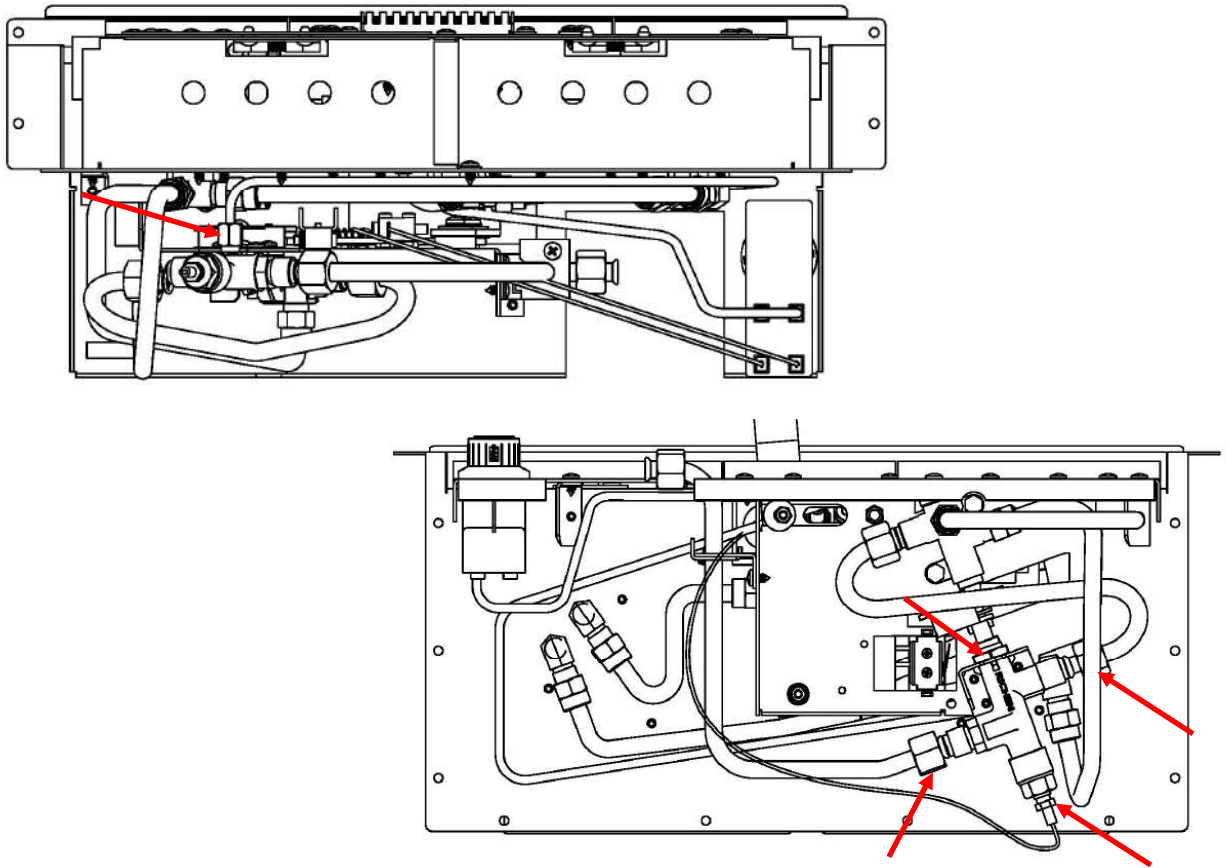
Now remove the thermocouple from the back of the slide valve and then remove the two small screws securing the microswitch to the underside of the burner tray.



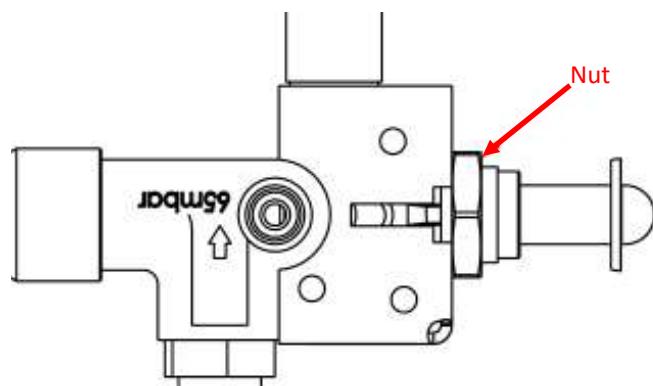
5.8 Remove of Slide Gas Valve.

Release the gas inlet, main burner outlet and pilot outlet nuts from the slide valve.

Then remove the thermocouple from the back of the valve. Unscrew the clamping nut from the front of the valve (see lower diagram) . **Whilst holding the operating control lever in the OFF position**, the valve can be carefully manipulated from the burner tray.



Remove the lock nut to release the valve.

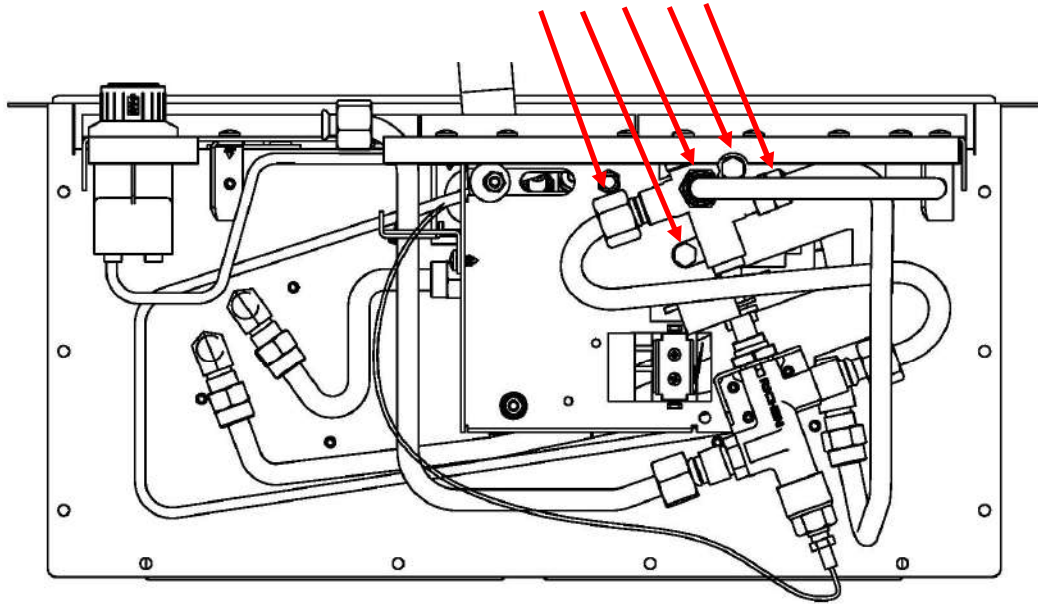


5.9 Removal of Tee Valve (High Setting).

Remove the 3 (three) gas connections from the Tee Valve as shown below.

Now remove the 2 (two) nuts securing the Tee Valve as shown in the diagram below.

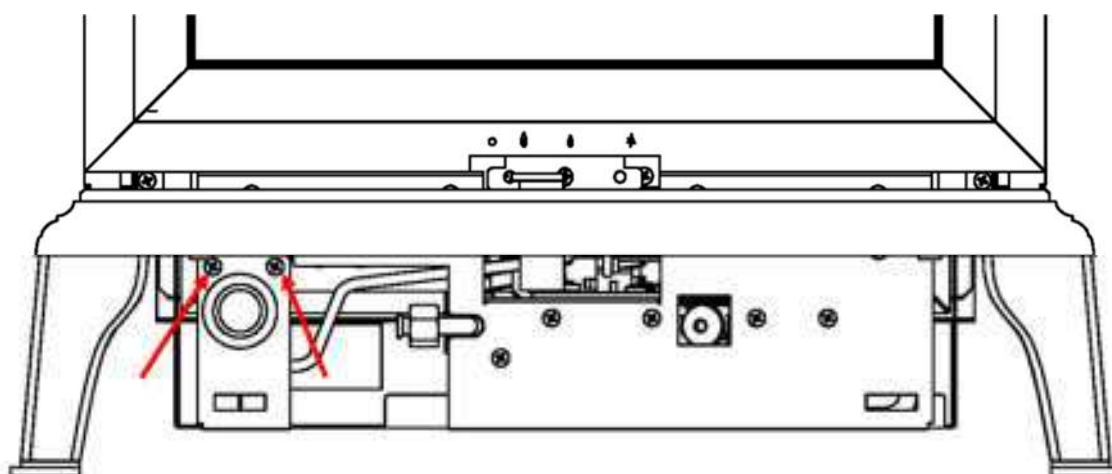
The Tee Valve can now be removed.



5.10 Remove of spark generator.

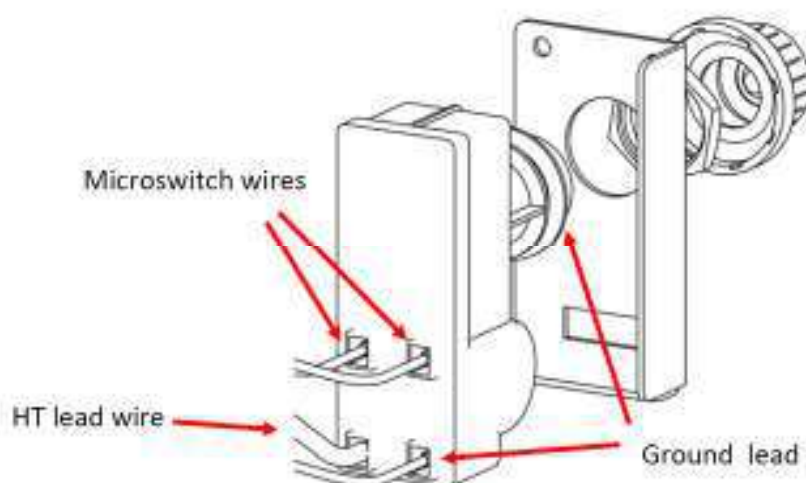
This service work **will not require removal of the burner tray.**

The spark generator carrier plate can be removed by taking out the two screws shown in the diagram below.



Once the carrier plate is removed, unscrew the battery cap, remove the battery then unscrew the large nut securing the spark generator to the plate.

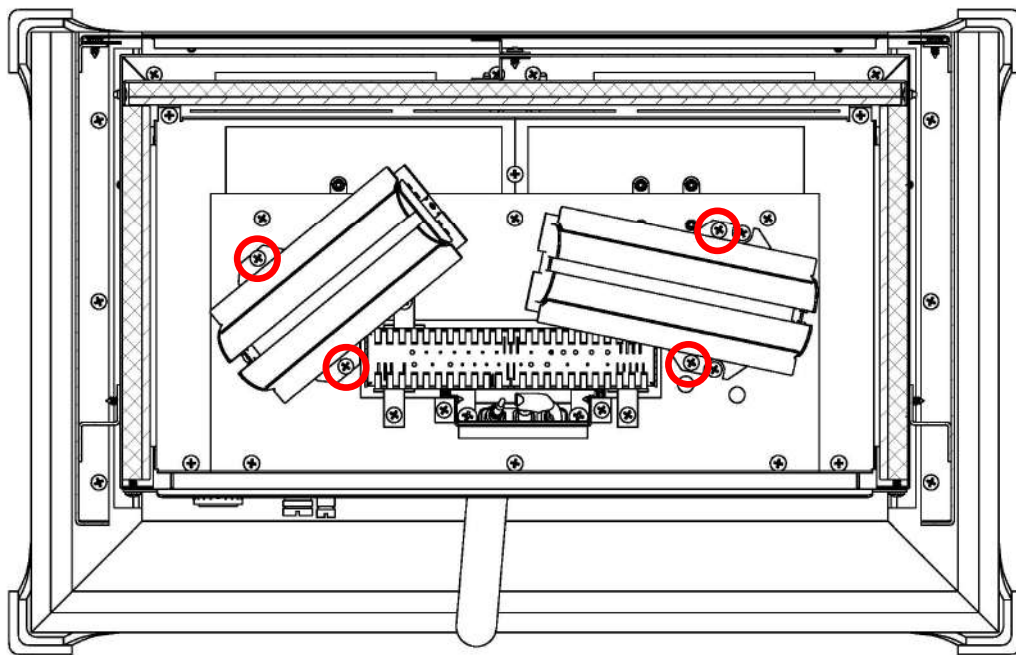
Detach the three wires (microswitch and HT lead) from the spark generator. The spark generator can now be removed and replaced.



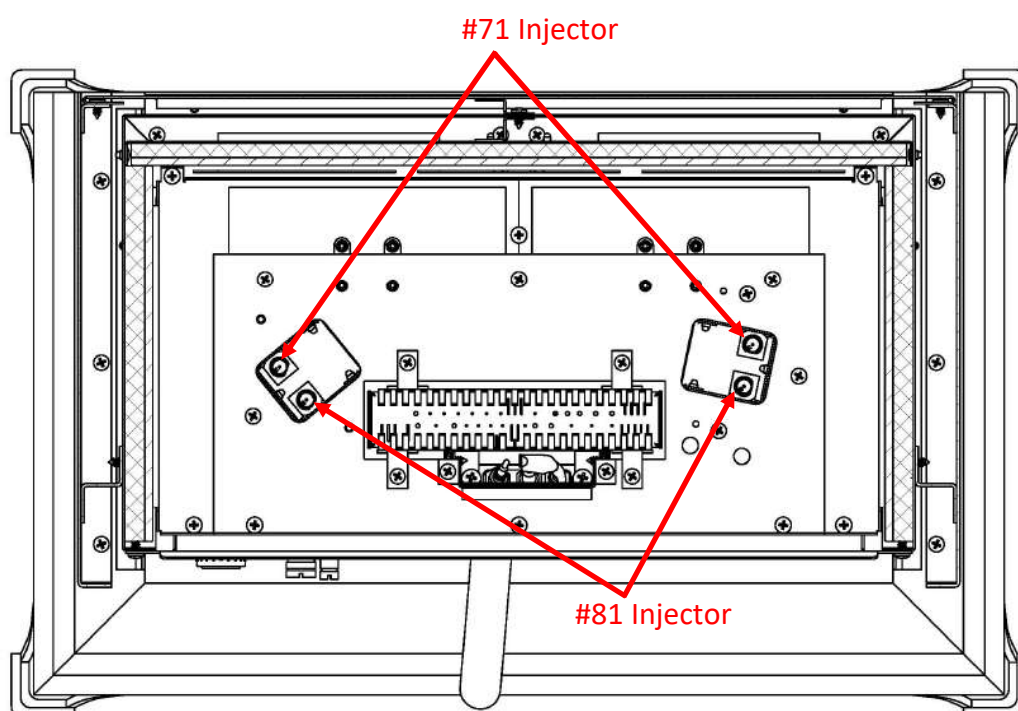
5.11 Removal of Injectors.

This service work will **not require** removal of the lower access door, the glass panels, the ceramic plates or the burner tray.

Remove the 4 screws as shown in the diagram. The LH and RH burners can now be removed.

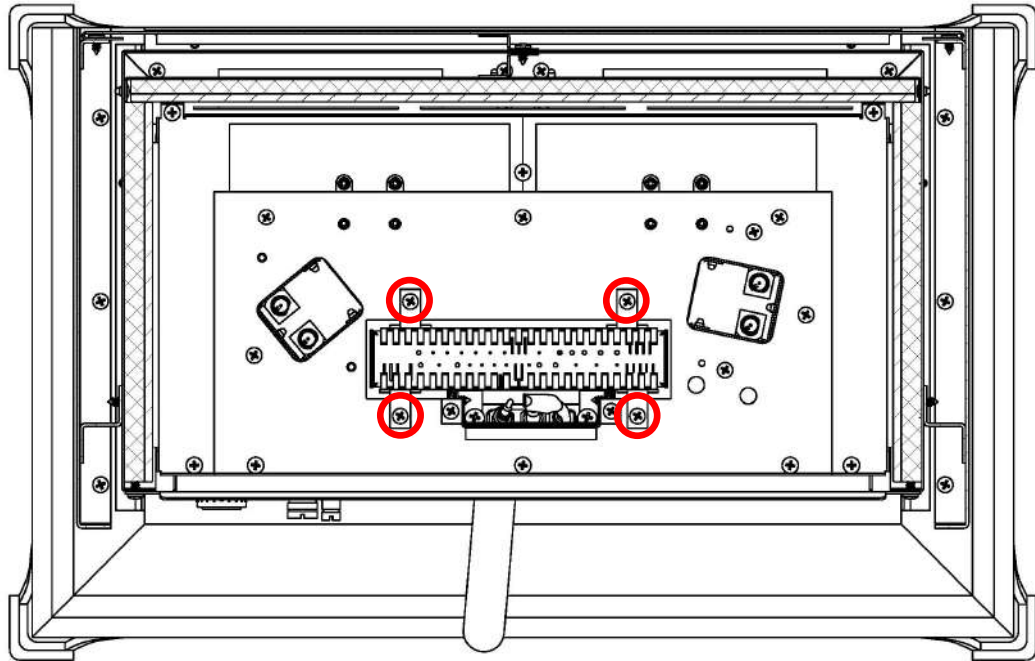


The 4 injectors can be accessed using the socket drive.

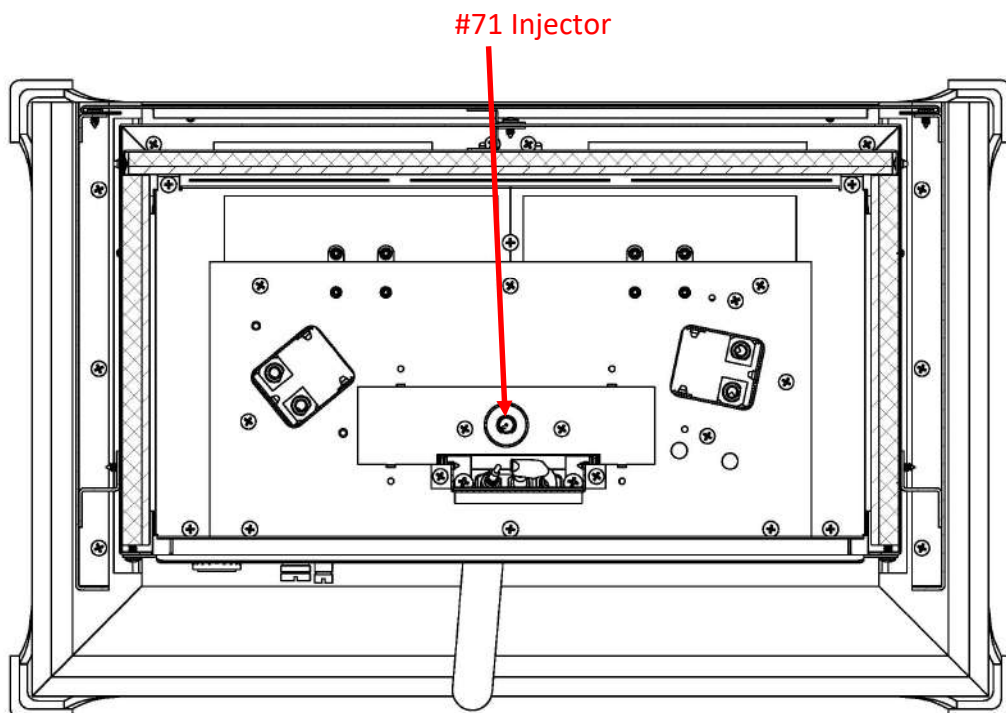


5.11 Removal of Injectors — Continued.

Remove the 4 screws as shown in the diagram. The middle burners can now be removed.



The #71 injector can be accessed using the socket drive.



6.0 Record of annual services

The extended warranty of the specified components within this appliance is conditional on the annual service of the appliance by a Gas Safe registered engineer. Failure to maintain the product or to use the product in away which is not intended will void the manufacturer's warranty.

Ensure a record is kept of the annual services conducted by the Gas Safe engineer in the table below.

Service of this appliance must only be conducted by a Gas Safe registered engineer.



Annual Service Record

YEAR 1	Gas Safe Engineer Name:	
	Gas Safe Engineer Registration No.:	
	Date of annual service:	
YEAR 2	Gas Safe Engineer Name:	
	Gas Safe Engineer Registration No.:	
	Date of annual service:	
YEAR 3	Gas Safe Engineer Name:	
	Gas Safe Engineer Registration No.:	
	Date of annual service:	
YEAR 4	Gas Safe Engineer Name:	
	Gas Safe Engineer Registration No.:	
	Date of annual service:	



Product Fiche	
Manufacturer :	Hearth Products Ltd
Model No.	F-181XX2
Fuel Type	Natural Gas (G20) I _{2H}
Energy Efficiency Class	D
Indirect Heating Functionality	No
Direct Heat Output kW	3.0kW
Indirect Heat Output kW	N/A
EEl	75.2%
Useful Energy Efficiency (NCV)	High : 84.2%
Useful Energy Efficiency (NCV)	N/A
Nominal Heat Output	High : 3.0kW
Nominal Heat Output	Low : 1.9kW
Heat Output Temperature Control	Two Manual Stages
Permanent Pilot Power (kW)	N/A
Space Heating Emissions NO _x (GCV)	130mg/kWh

Important Note:

The energy efficiency class of this product is defined using a seasonal efficiency calculation which reduces the actual net efficiency of the product where the use of automated heat control, thermostats, window open sensors and timers are not used. This is not to be confused with the net efficiency, or useful efficiency of the appliance (shown in the tables above).

**This product MUST be installed by a Gas Safe Registered Installer. Full details are provided in this manual.
Hearth Products Ltd. Unit 14 Tollgate Industrial Estate, Stafford, ST16 3SU**

User Replaceable Parts

Part Number	Description
P-XX1211	Ceramic Log Set
P-XX1212A	Volcanic Rock Pack (1 PACK)
P-XX1213	Ceramic Bark Pack
P-XX1234	Ember Wire Pack
P-140018A	Glass Door Panel Assembly

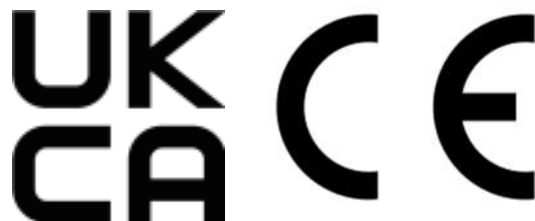


**Hearth Products Ltd
Unit 14 Tollgate Industrial Estate,
Stafford, ST16 3SU**

www.hearthproducts.co.uk

Tel: 01785 225401 Fax: 01785 225501

Email: info@hearthproducts.co.uk



Due to our policy of continual product improvement, some diagrams and small details may not be accurate however if there is any concern or matter of understanding that you feel needs to be clarified please contact us directly. Our contact details are shown above.